



US00D567292S

(12) **United States Design Patent**
Mohoney

(10) **Patent No.:** **US D567,292 S**

(45) **Date of Patent:** **** Apr. 22, 2008**

(54) **LABEL/POSTAGE STAMP DISPENSER**

(76) **Inventor:** **Victor Mohoney**, 4102 Maintou Way,
Madison, WI (US) 53711

(**) **Term:** **14 Years**

(21) **Appl. No.:** **29/283,748**

(22) **Filed:** **Aug. 22, 2007**

(51) **LOC (8) Cl.** **19-02**

(52) **U.S. Cl.** **D19/69**

(58) **Field of Classification Search** D19/65,
D19/67, 72, 75, 89, 95, 96, 97, 99; D99/29;
D20/10; D9/415, 418; 426/115, 85; 242/597.8,
242/588.3; 225/19; 221/73; 206/463; 156/542
See application file for complete search history.

(56) **References Cited**

U.S. PATENT DOCUMENTS

D183,867 S *	11/1958	Wagner	D19/69
2,889,975 A *	6/1959	Hanlon	225/19
D251,125 S *	2/1979	DuFresne et al.	D19/67
D275,835 S *	10/1984	Borst	D9/415
D276,354 S *	11/1984	Spitzer	D19/69
4,704,185 A	11/1987	Fischer		
4,770,322 A	9/1988	Slota et al.		
4,821,918 A	4/1989	Turner		
4,954,210 A	9/1990	Desmond		
D347,243 S	5/1994	Thomas-Cote et al.		
D374,461 S *	10/1996	Greenlee	D20/10
5,634,570 A	6/1997	Casper et al.		
D398,646 S	9/1998	Geiger		
5,806,714 A	9/1998	Geiger		
5,851,347 A	12/1998	Rodriguez		
5,851,348 A	12/1998	Muenzer et al.		
D407,750 S	4/1999	Watters		
6,029,849 A	2/2000	Meshulam		
D422,312 S	4/2000	Bronswasser		

D442,637 S	5/2001	Dorrell et al.		
6,235,369 B1 *	5/2001	Shepard et al.	428/85
6,431,242 B1 *	8/2002	Irons	156/542
D510,387 S	10/2005	Lynn et al.		
7,036,546 B1	5/2006	Ripma		

* cited by examiner

Primary Examiner—Cathron C. Brooks
Assistant Examiner—Austin Murphy
(74) *Attorney, Agent, or Firm*—Craig A. Fieschko, Esq.;
DeWitt Ross & Stevens S.C.

(57) **CLAIM**

I claim the ornamental design for a label/postage stamp dispenser, as shown and described.

DESCRIPTION

FIG. 1 is a perspective view of a label/postage stamp dispenser showing the design from its top left side;

FIG. 2 is another perspective view of the label/postage stamp dispenser, showing the design from its bottom right side;

FIG. 3 is a right side elevational view of the label/postage stamp dispenser, the left side elevational view being a mirror image thereof;

FIG. 4 is a top plan view of the label/postage stamp dispenser; and,

FIG. 5 is a bottom plan view of the label/postage stamp dispenser.

The broken line depiction of the seams in FIGS. 1, 2, 4, and 5, of the roller sleeve in FIGS. 2, 3, and 5, and of the roller ends in FIGS. 2 and 5 are for illustrative purposes only and form no part of the claimed design.

1 Claim, 5 Drawing Sheets

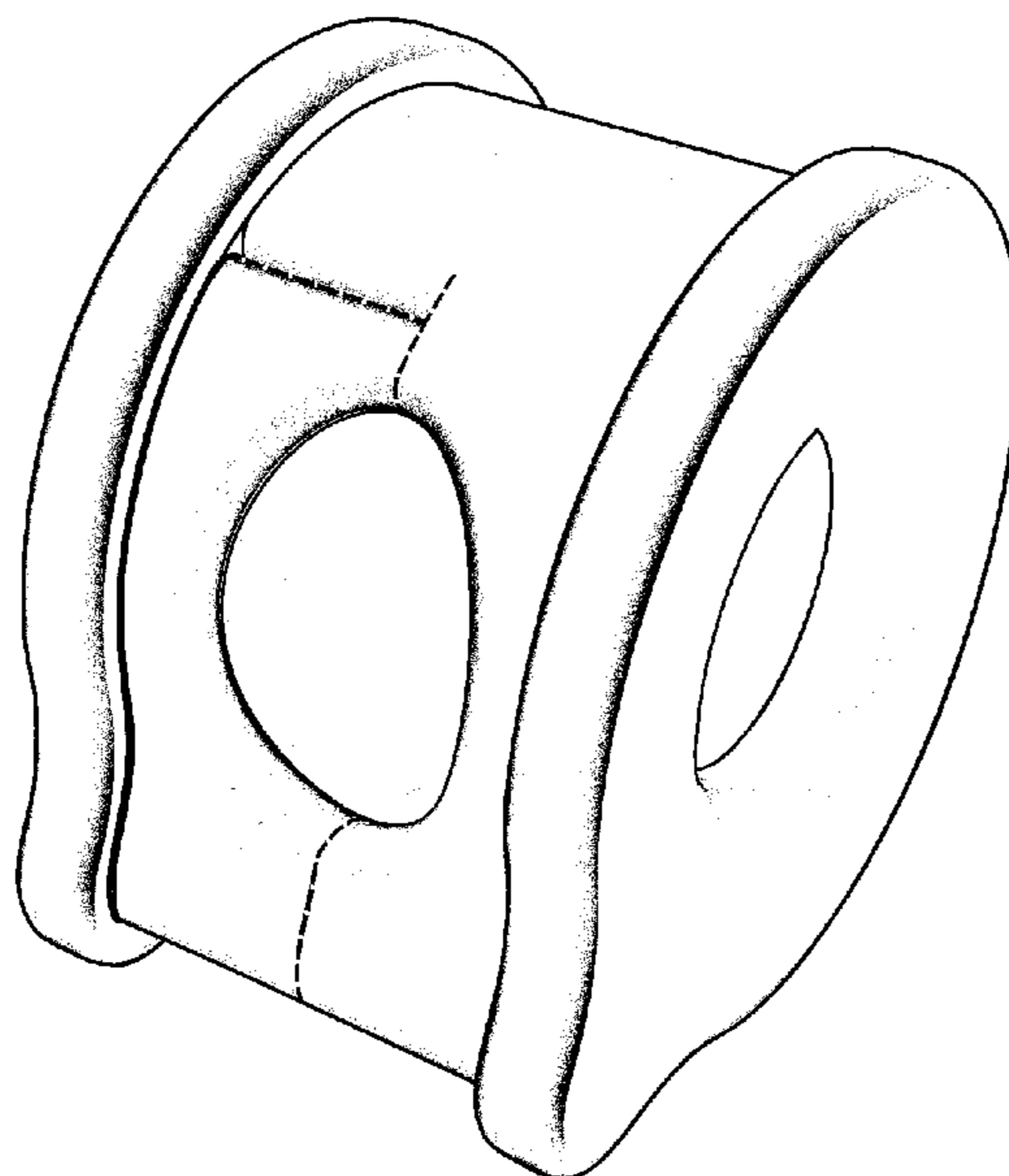


FIG. 1

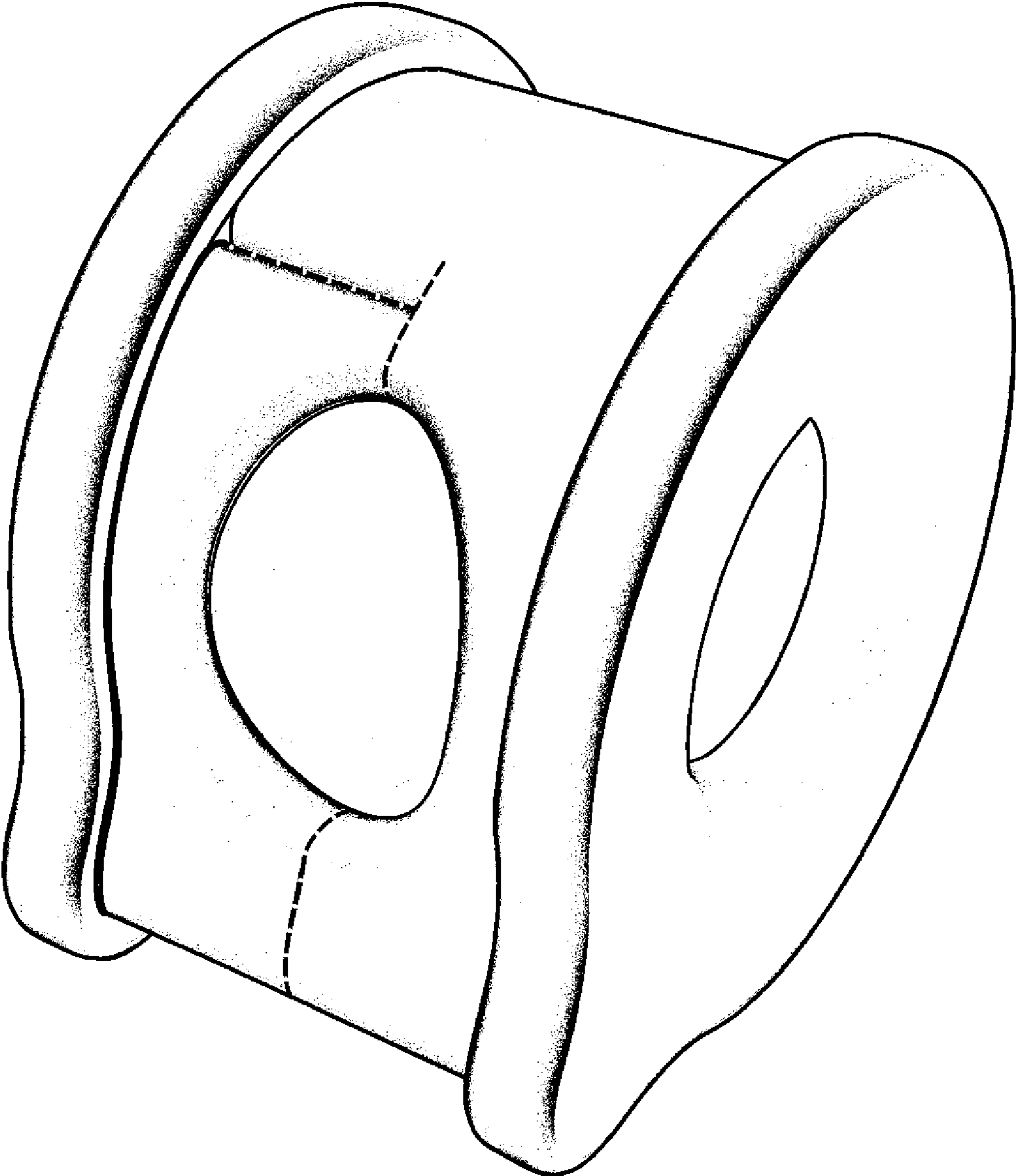


FIG. 2

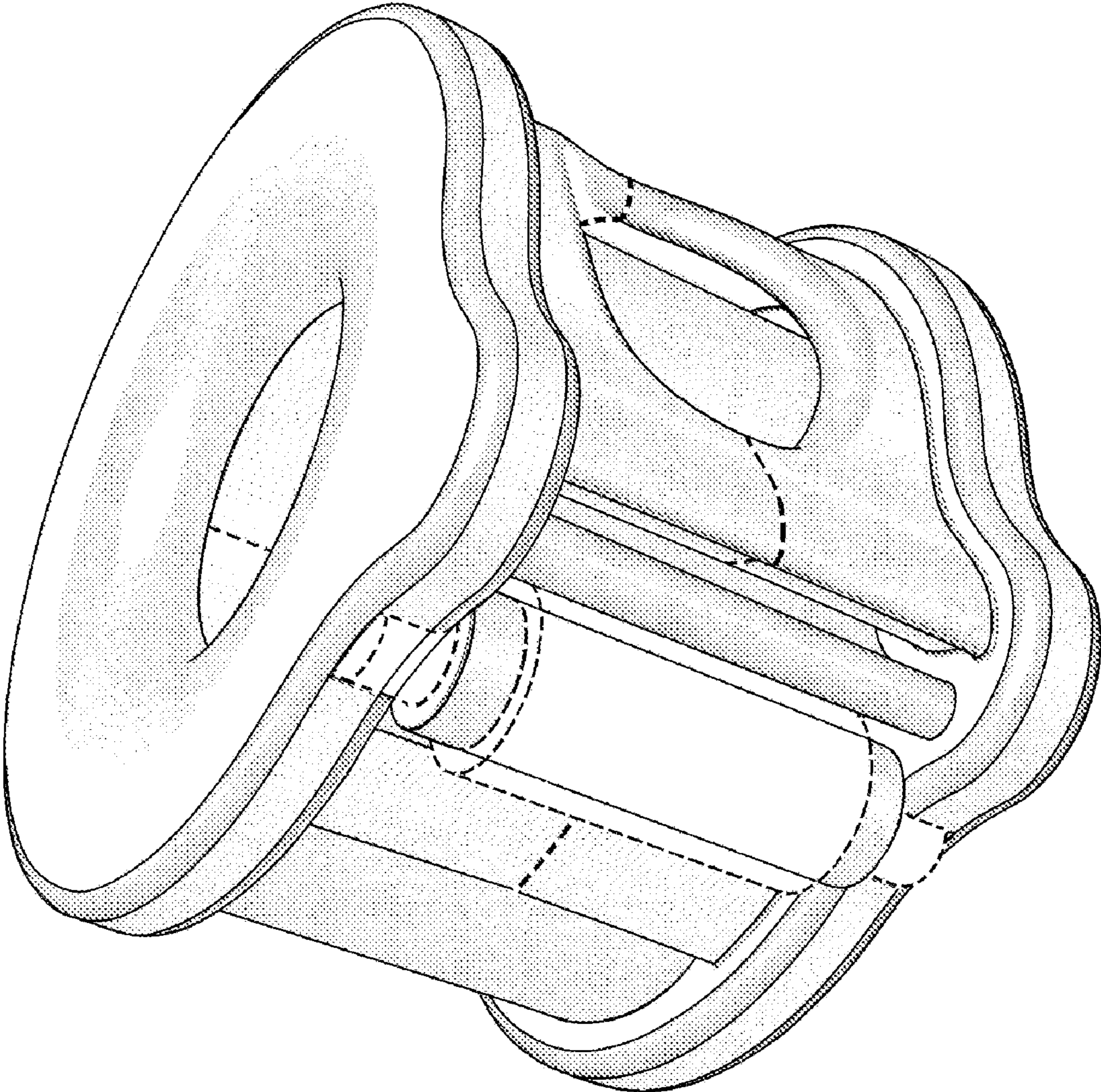


FIG. 3

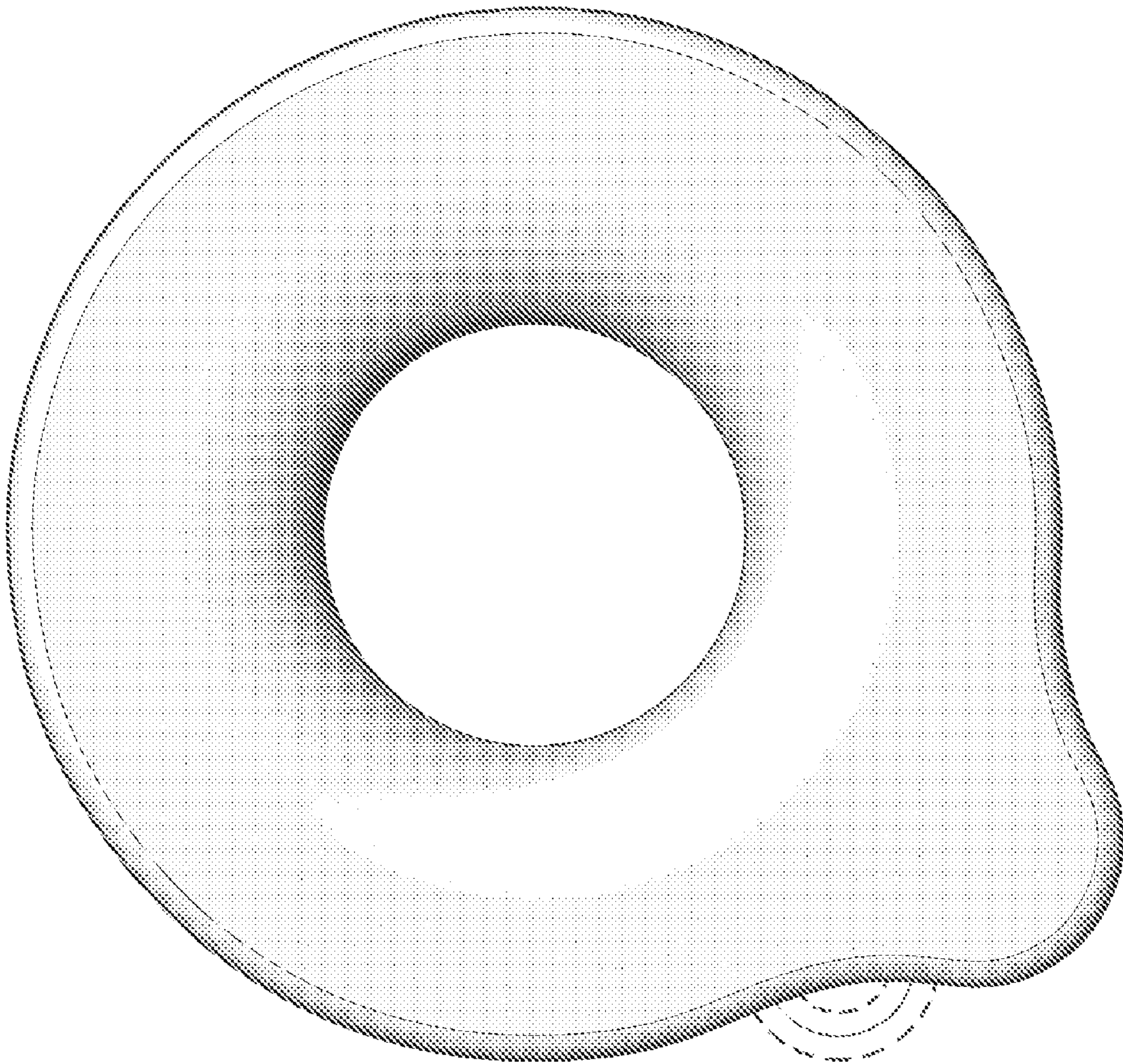


FIG. 4

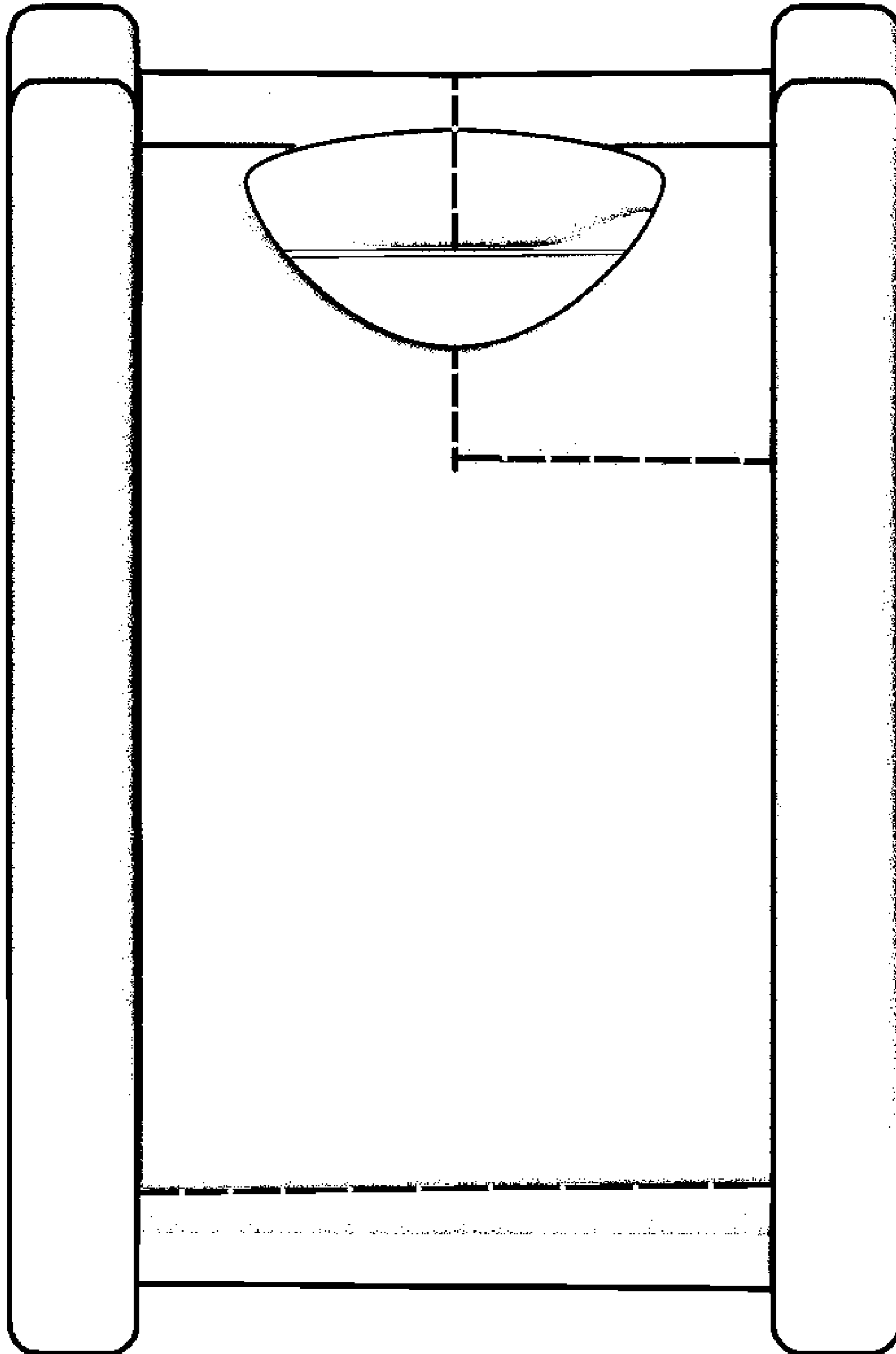


FIG. 5

