



US00D567290S

(12) **United States Design Patent**
Sato

(10) **Patent No.:** **US D567,290 S**
(45) **Date of Patent:** **** Apr. 22, 2008**

(54) **CAP FOR A MARKING PEN**

(75) Inventor: **Keiko Sato**, Nara (JP)

(73) Assignee: **Kuretake Co., Ltd.**, Nara (JP)

(**) Term: **14 Years**

(21) Appl. No.: **29/260,513**

(22) Filed: **May 25, 2006**

(30) **Foreign Application Priority Data**

Nov. 25, 2005 (JP) 2005-034736
Nov. 25, 2005 (JP) 2005-034737

(51) **LOC (8) Cl.** **19-06**

(52) **U.S. Cl.** **D19/57**

(58) **Field of Classification Search** D19/35,
D19/36, 41-51, 54-57; D27/146; 24/11 R,
24/11 F, 11 P; 401/6-8, 52, 99, 100, 104-109,
401/192, 195, 243-247, 334; 362/118
See application file for complete search history.

(56) **References Cited**

U.S. PATENT DOCUMENTS

D201,412 S * 6/1965 De Groft D19/43
D264,547 S * 5/1982 Watson D8/62
4,872,777 A * 10/1989 Dalbke 401/199
D313,623 S * 1/1991 Yazaki D19/48
D369,183 S * 4/1996 Yoshida D19/57
D371,388 S * 7/1996 Ito et al. D19/49
D386,526 S * 11/1997 Ito D19/53
D402,991 S * 12/1998 Mosser D14/230
D428,441 S * 7/2000 Isobe et al. D19/53

(Continued)

FOREIGN PATENT DOCUMENTS

EM 000106570-0001 * 2/2004
EM 000555479-0005 * 10/2006

Primary Examiner—Elizabeth A. Albert
Assistant Examiner—Karen E Eldridge Powers
(74) *Attorney, Agent, or Firm*—Osha Liang LLP

(57) **CLAIM**

The ornamental design for a cap for a marking pen, as shown and described.

DESCRIPTION

FIG. 1 is a perspective view of a cap for a marking pen, according to a first embodiment of the invention.

FIG. 2 is a front view of the design according to a first embodiment of the invention.

FIG. 3 is a rear view of the design according to a first embodiment of the invention.

FIG. 4 is a side view of the design according to a first embodiment of the invention.

FIG. 5 is a top view of the design according to a first embodiment of the invention.

FIG. 6 is a bottom view of the design according to a first embodiment of the invention.

FIG. 7 is a cross-sectional view of the design taken along line 7—7 as shown in FIG. 6.

FIG. 8 is a perspective view of the design according to a second embodiment of the invention.

FIG. 9 is a front view of the design according to a second embodiment of the invention.

FIG. 10 is a rear view of the design according to a second embodiment of the invention.

FIG. 11 is a side view of the design according to a second embodiment of the invention.

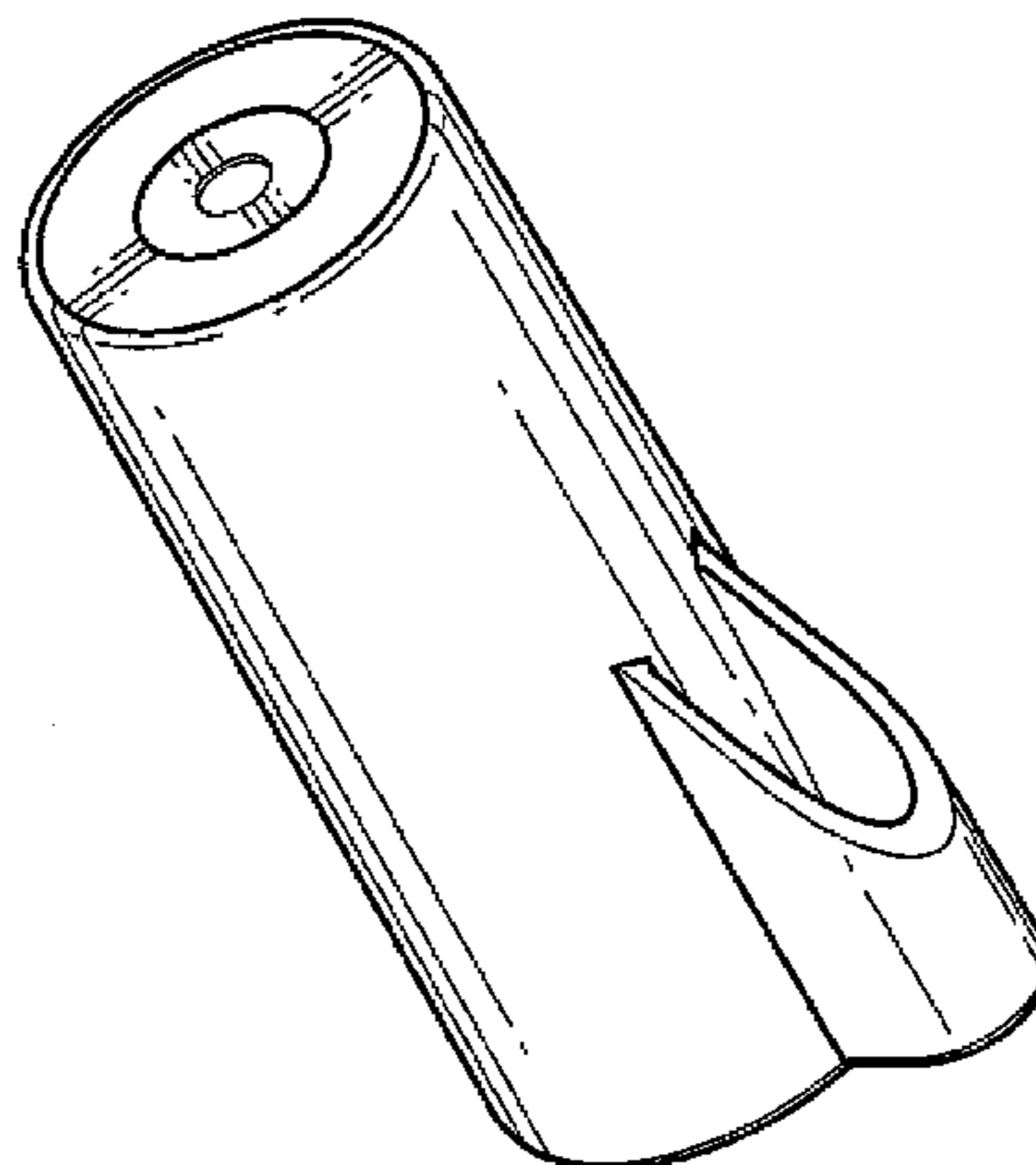
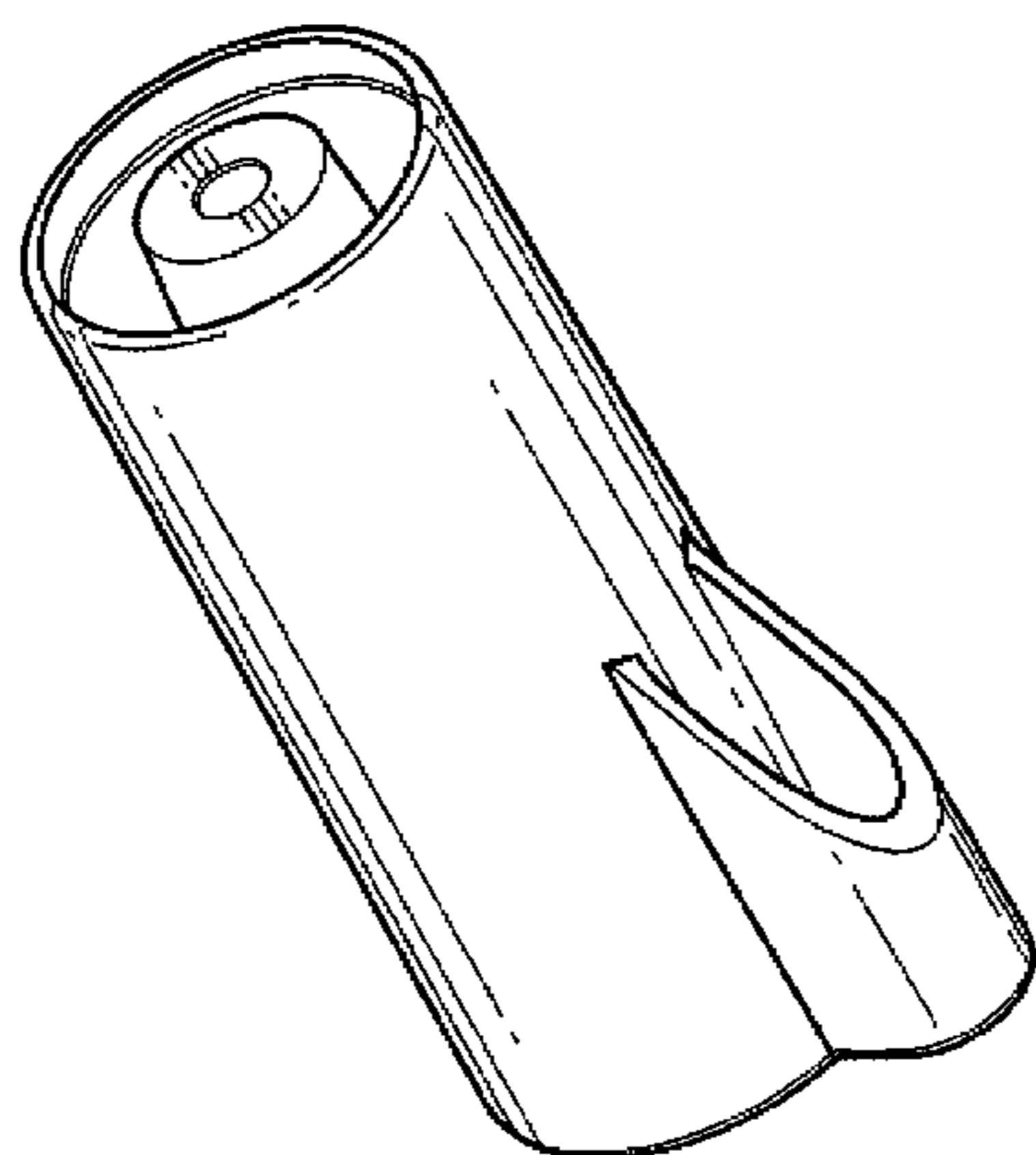
FIG. 12 is a top view of the design according to a second embodiment of the invention.

FIG. 13 is a bottom view of the design according to a second embodiment of the invention; and,

FIG. 14 is a cross-sectional view of the design taken along line 14—14 as shown in FIG. 13.

The broken lines are for the purpose of illustrating environmental matter and form no part of the claimed design.

1 Claim, 4 Drawing Sheets



US D567,290 S

Page 2

U.S. PATENT DOCUMENTS

D470,885 S *	2/2003	Tahara	D19/43	D540,865 S *	4/2007	Beno et al.	D19/43
D470,887 S *	2/2003	Okutani	D19/43	D545,895 S *	7/2007	Okutani	D19/36
D493,832 S *	8/2004	Hung	D19/57	D547,801 S *	7/2007	Oka	D19/43
D496,070 S *	9/2004	Furlong et al.	D19/57				

* cited by examiner

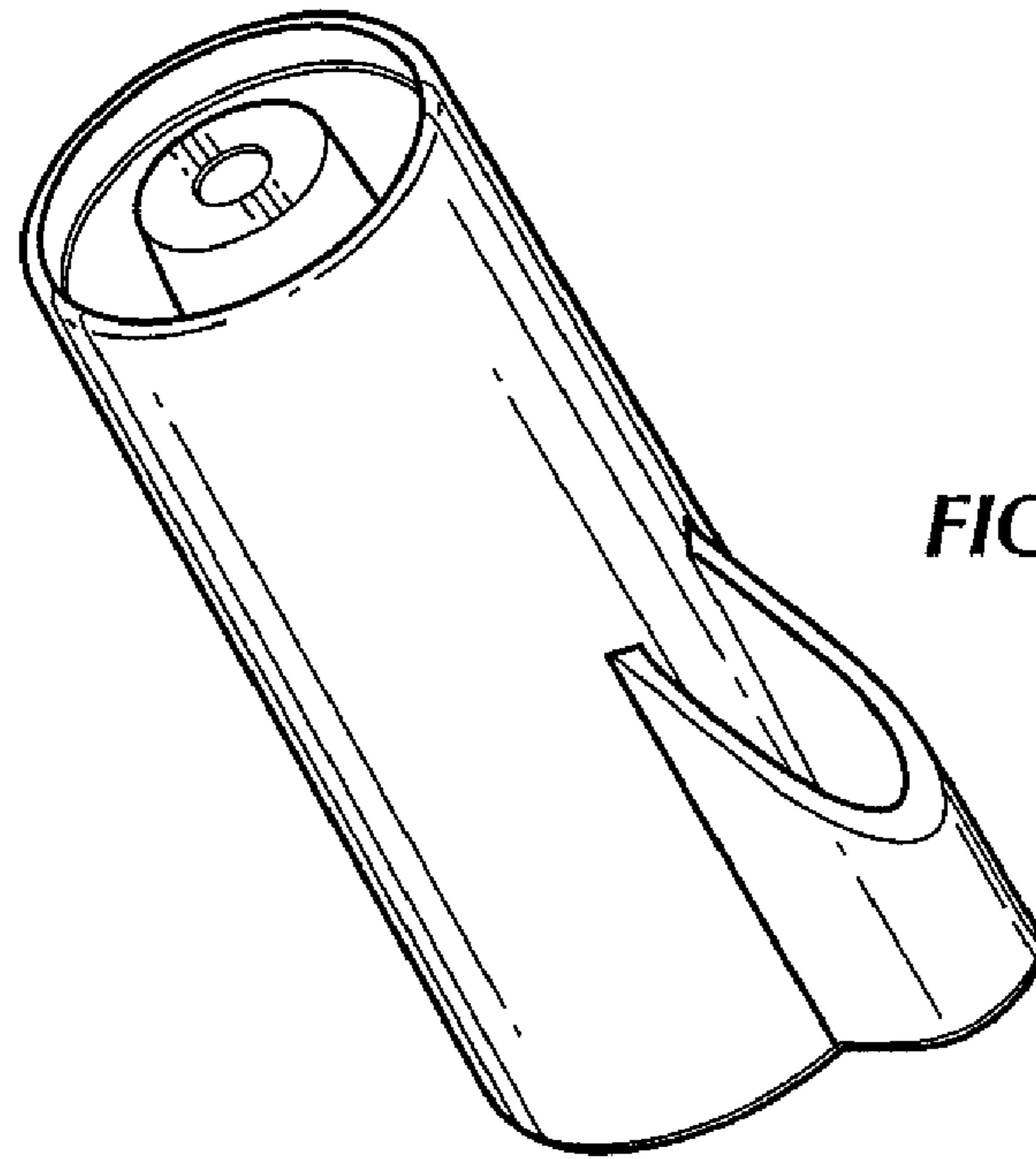


FIG. 1

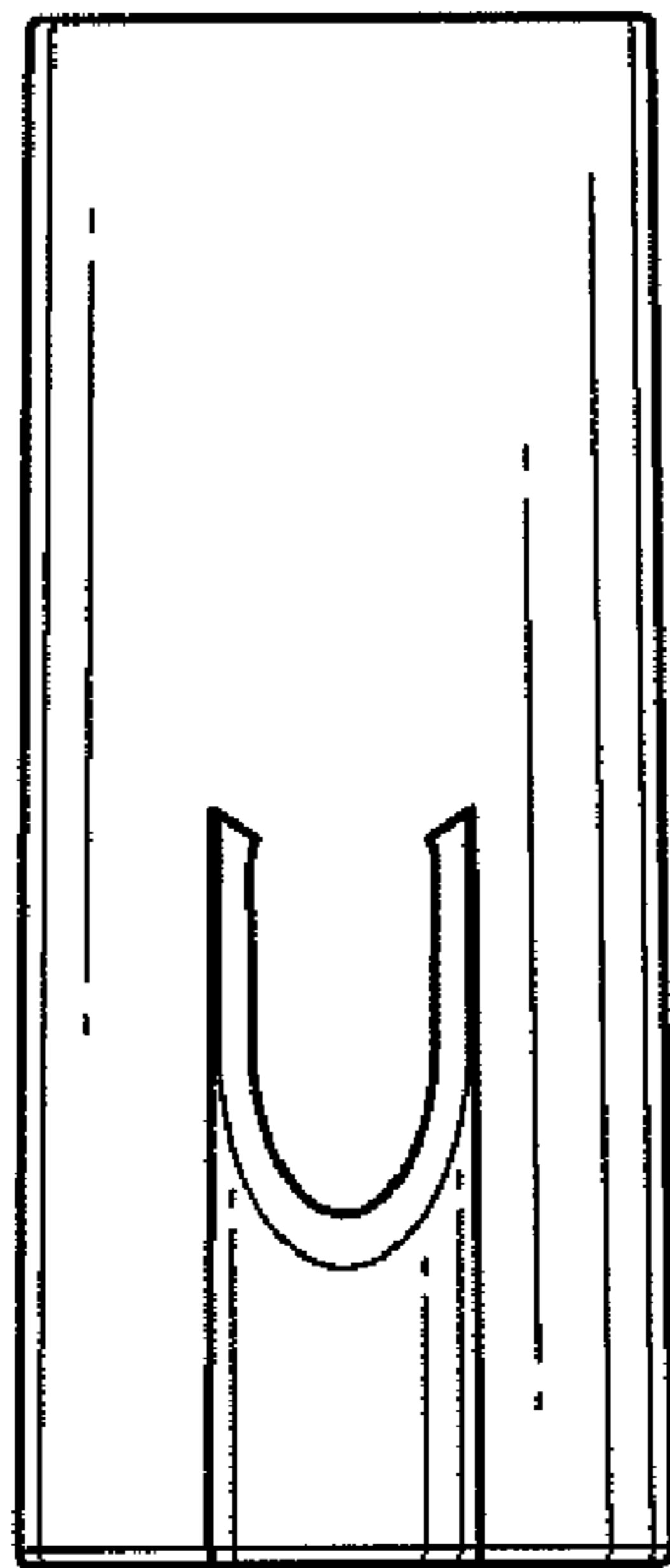


FIG. 2

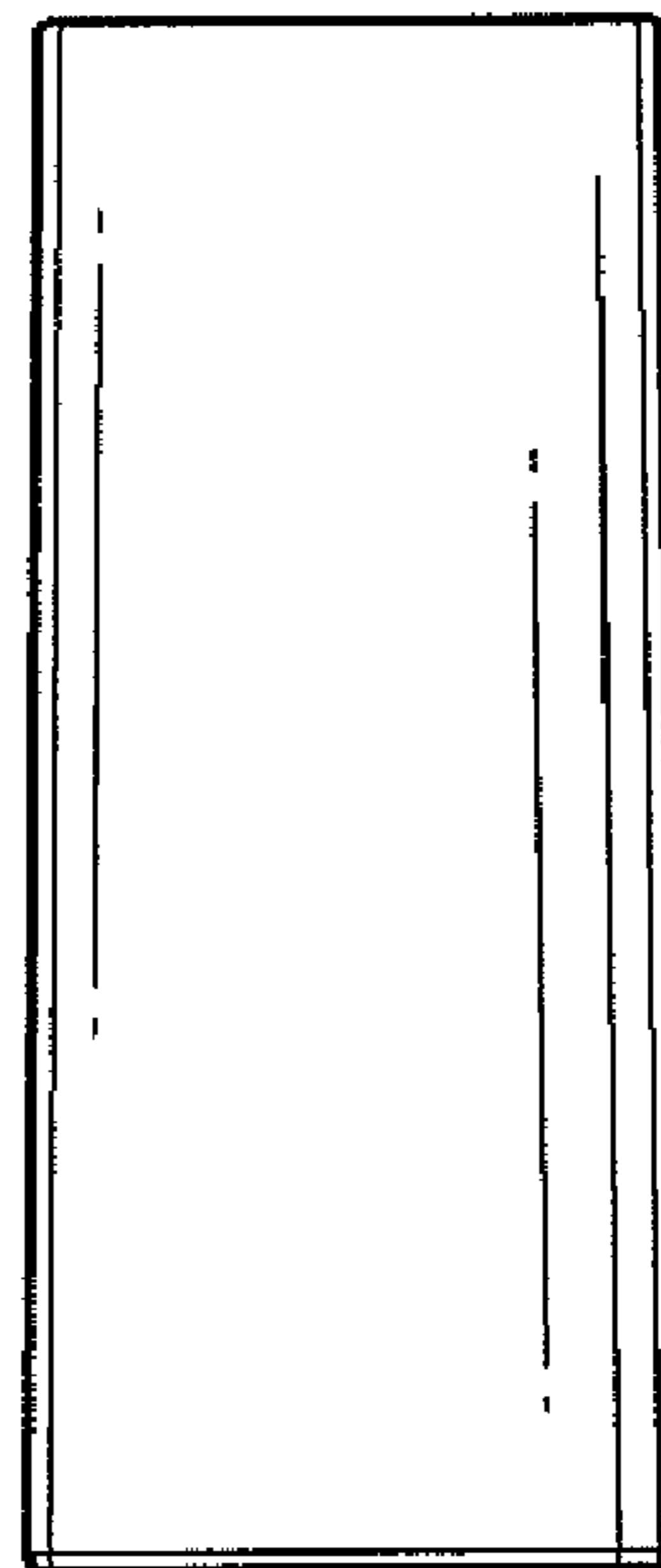


FIG. 3

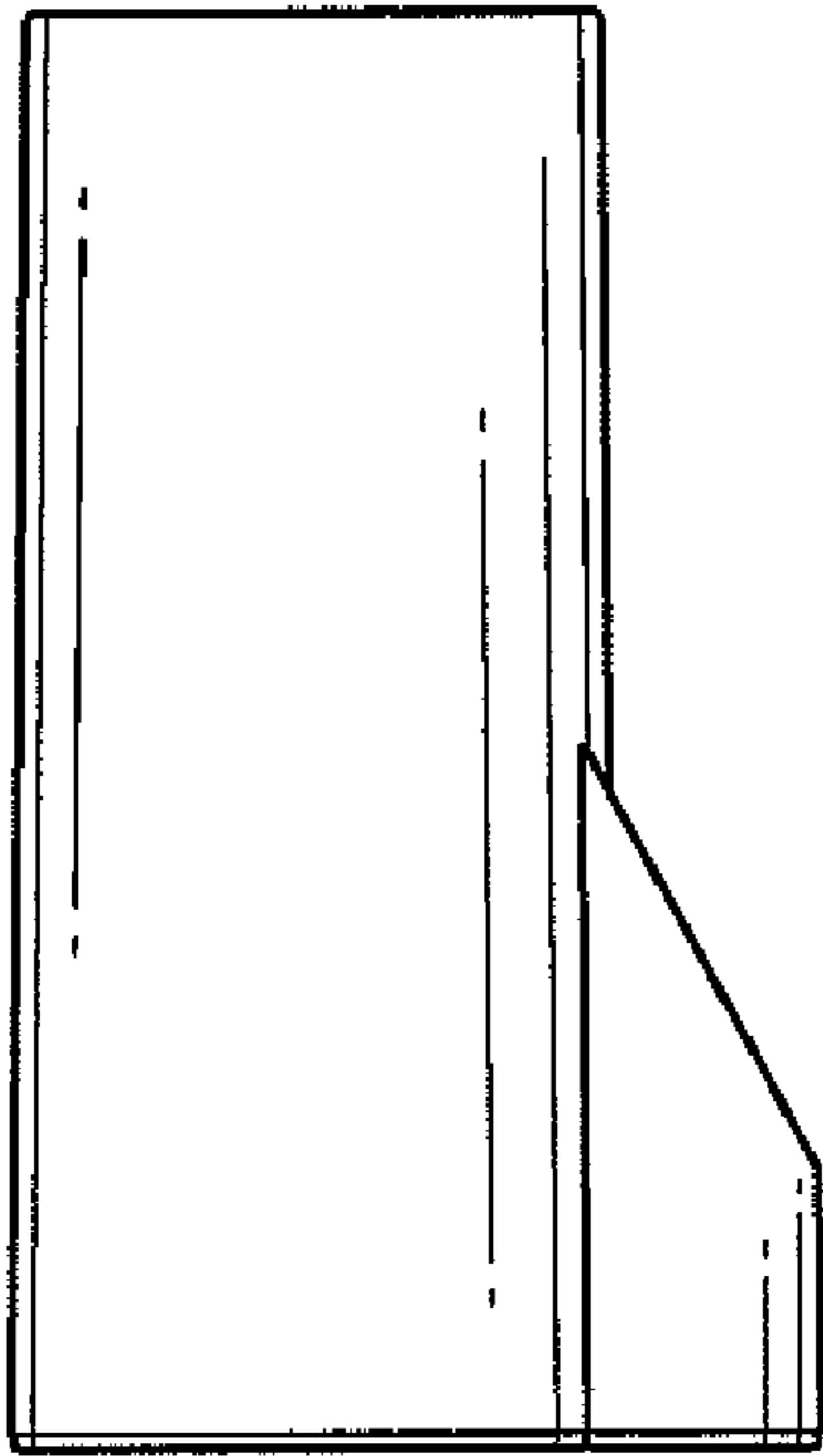


FIG. 4

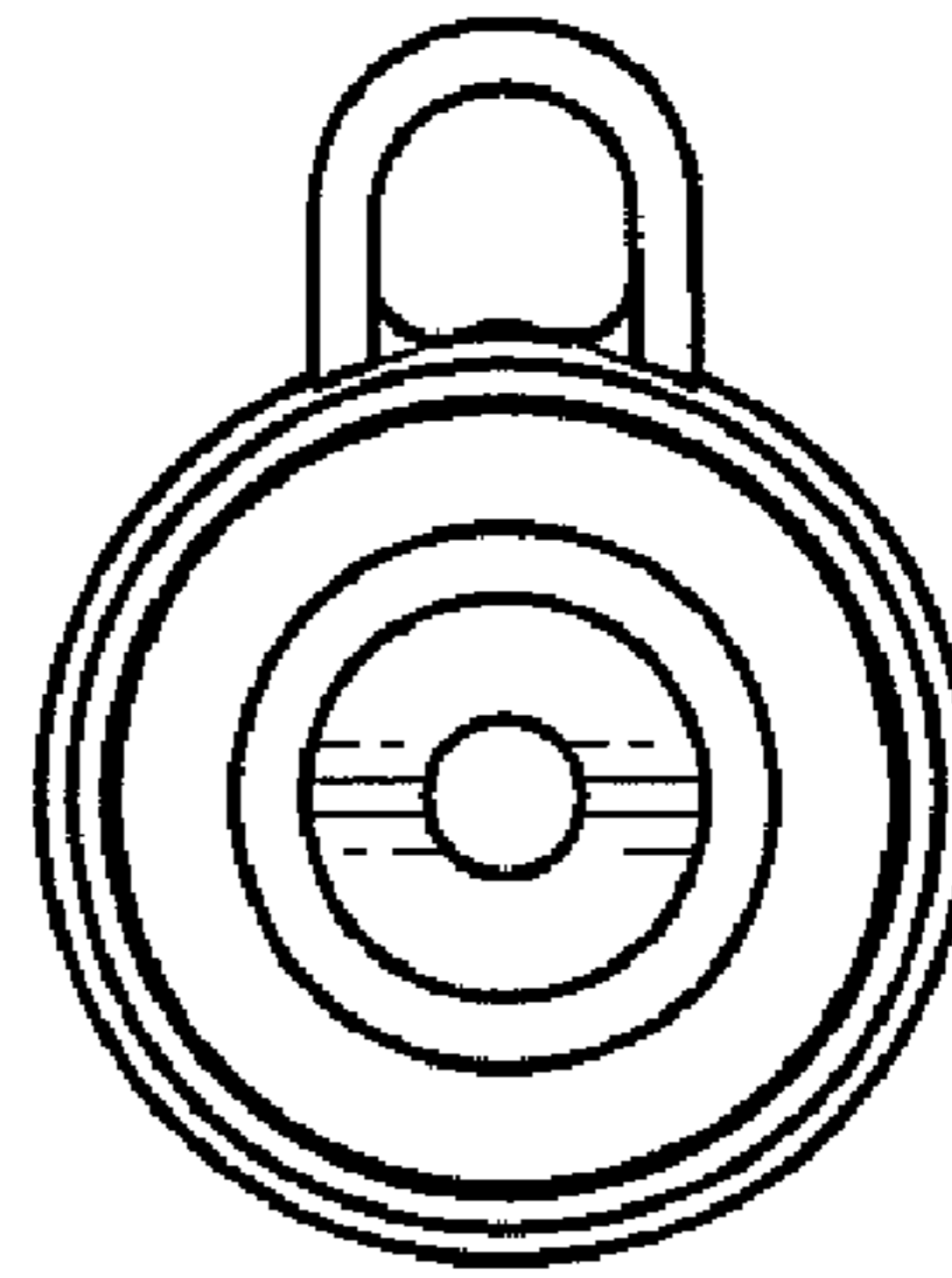


FIG. 5

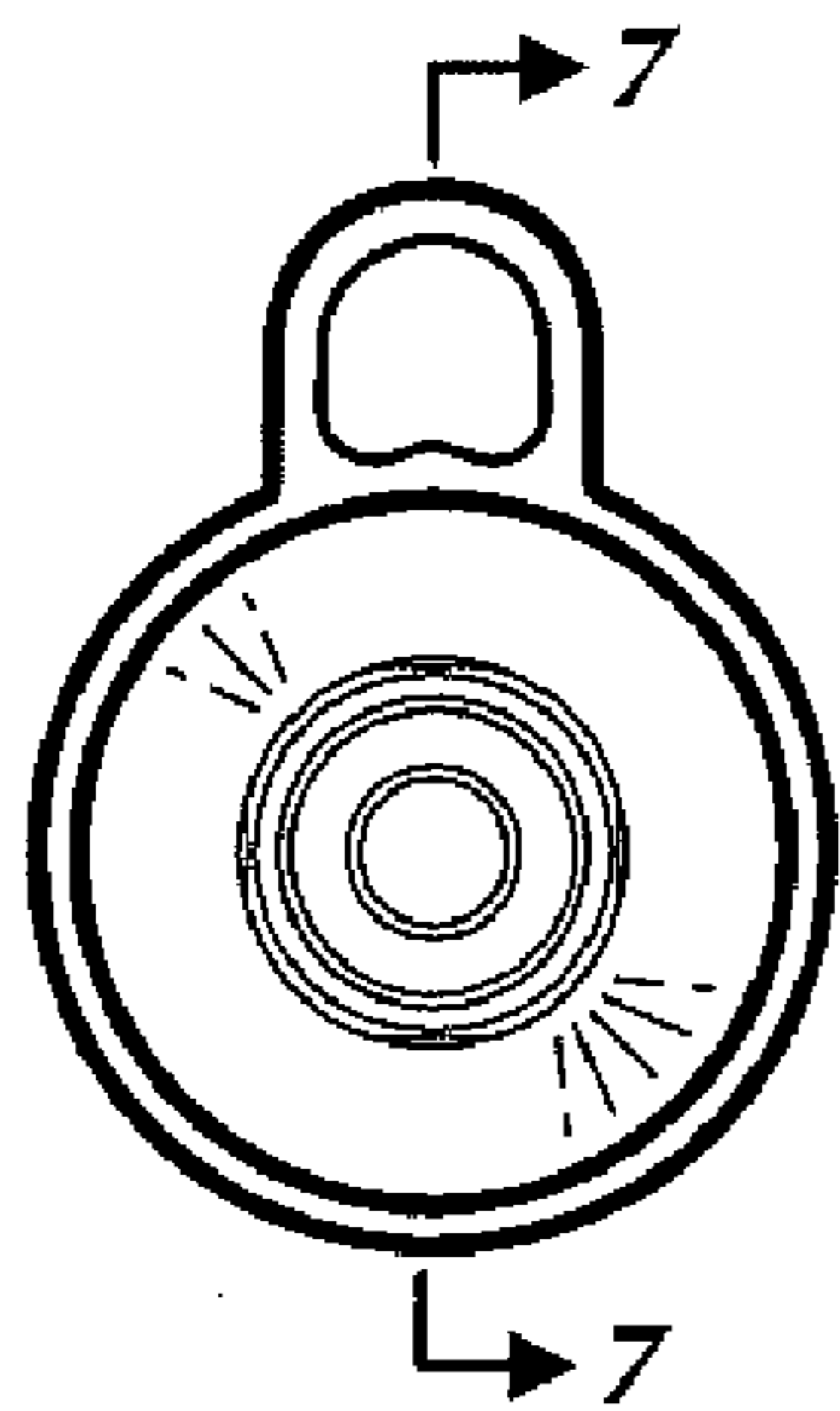


FIG. 6

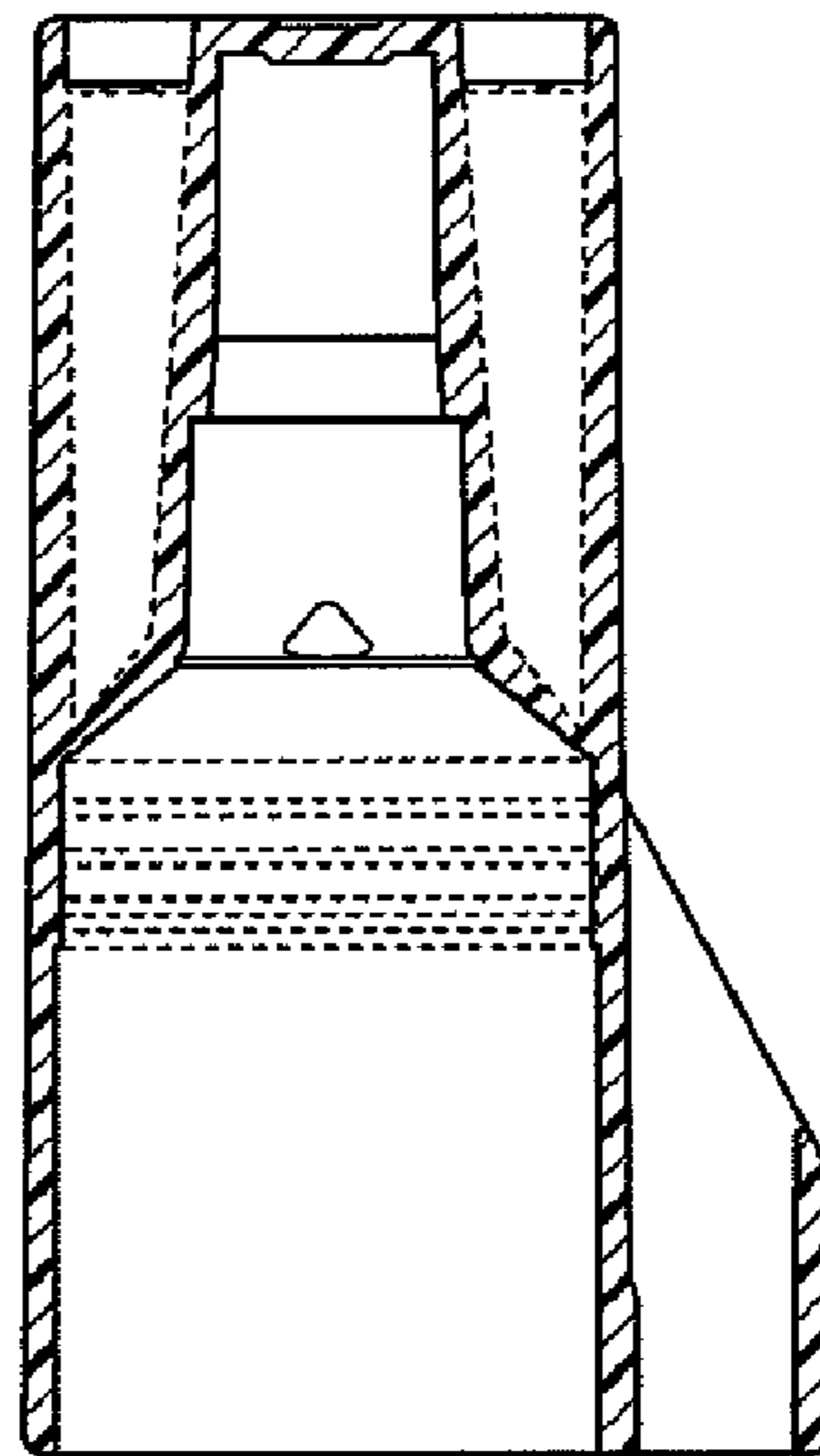


FIG. 7

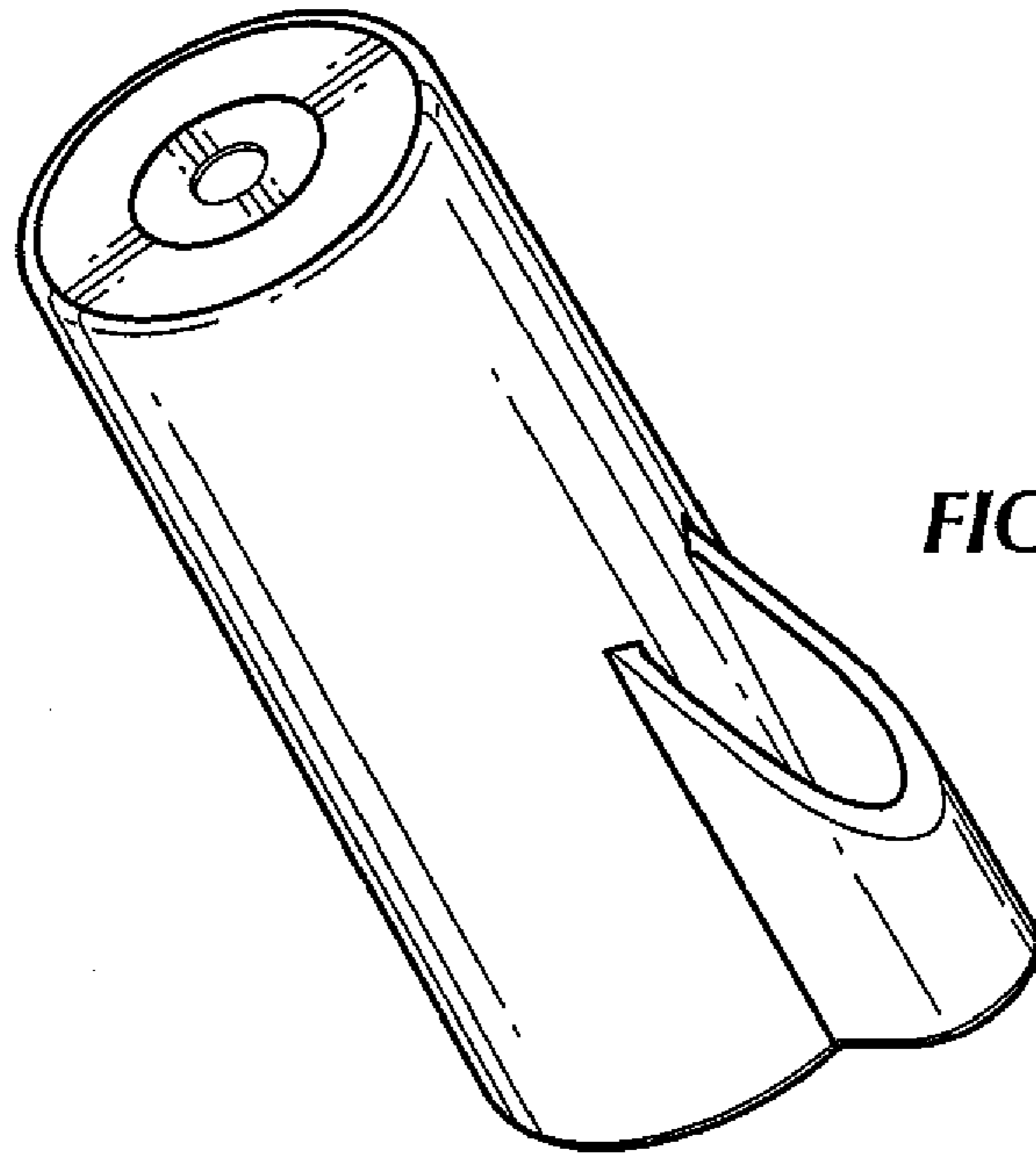


FIG. 8

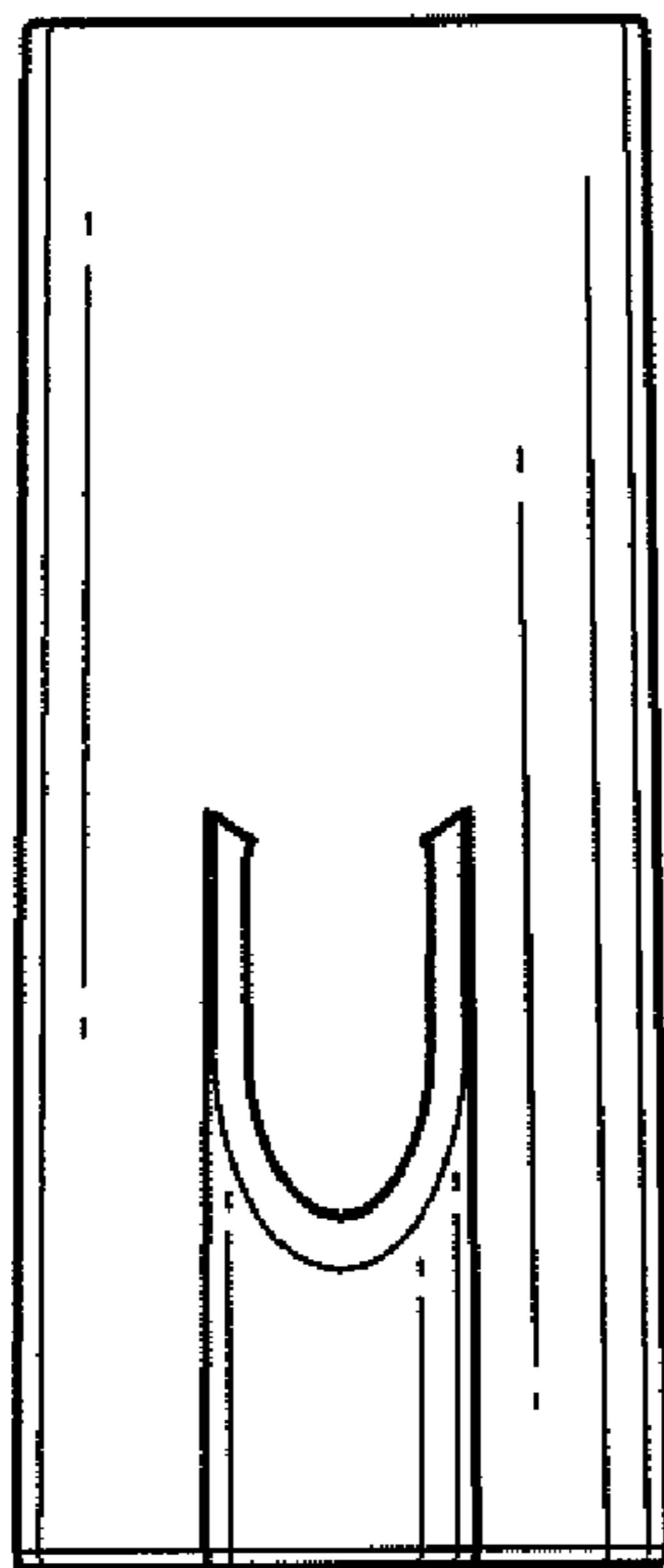


FIG. 9

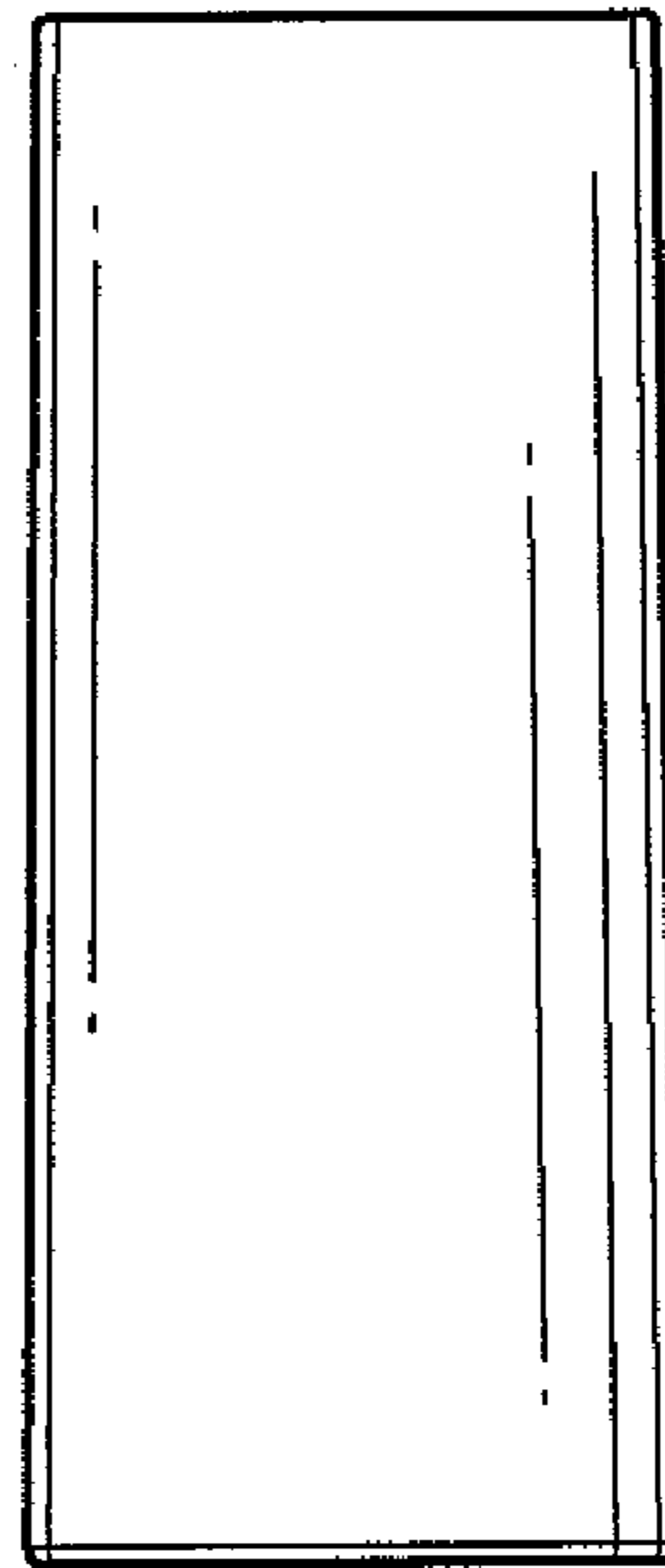


FIG. 10

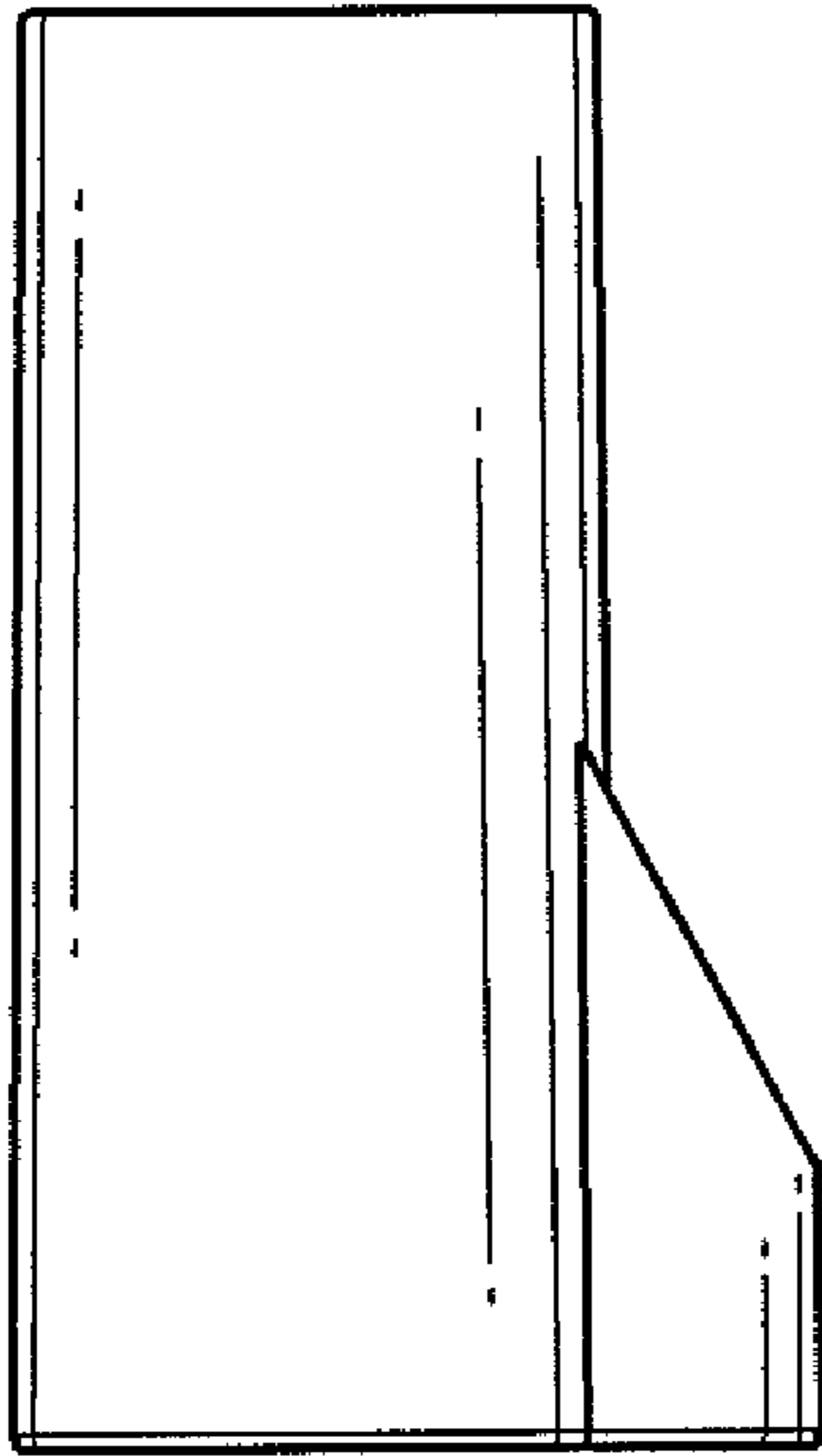


FIG. 11

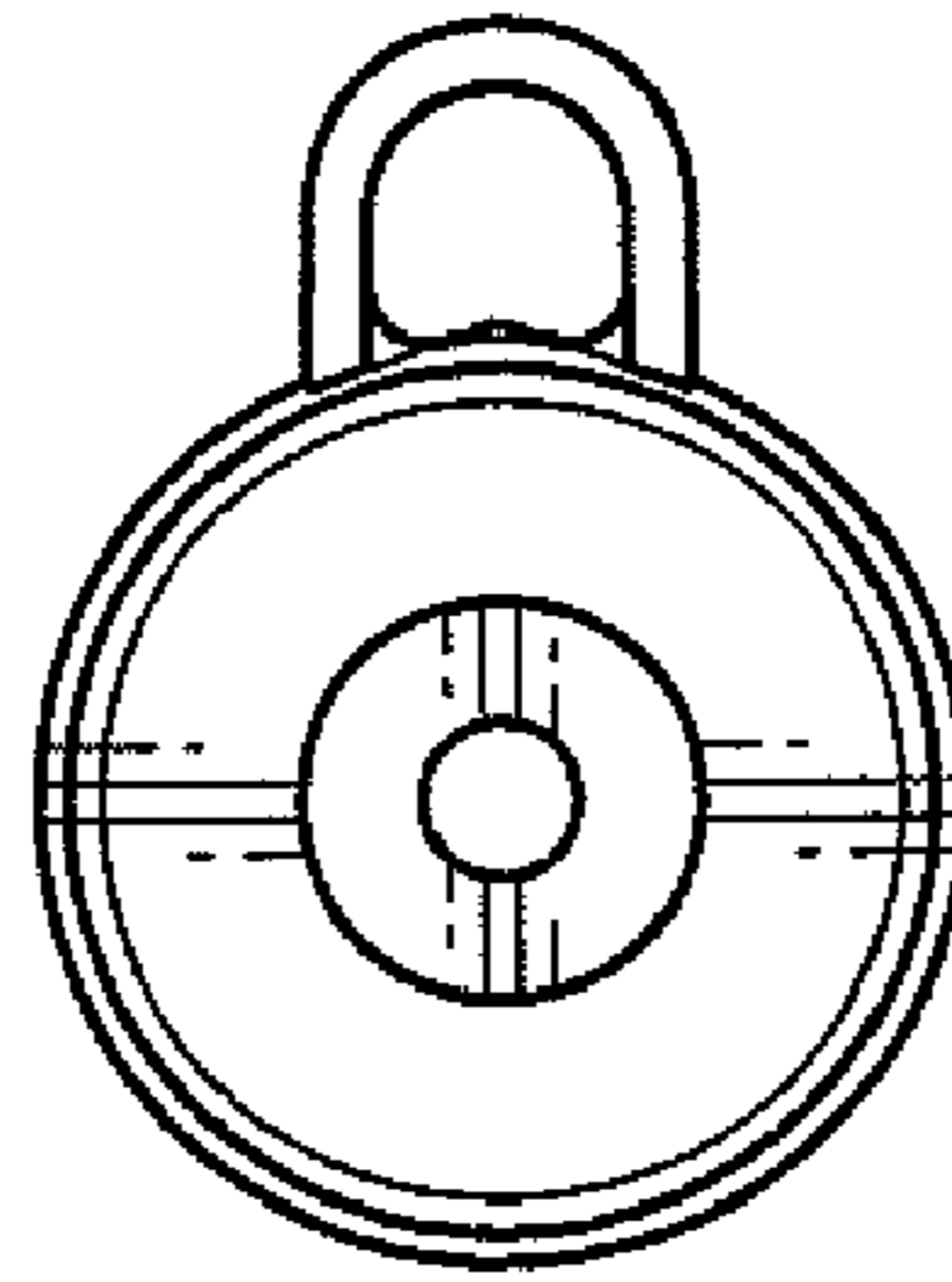


FIG. 12

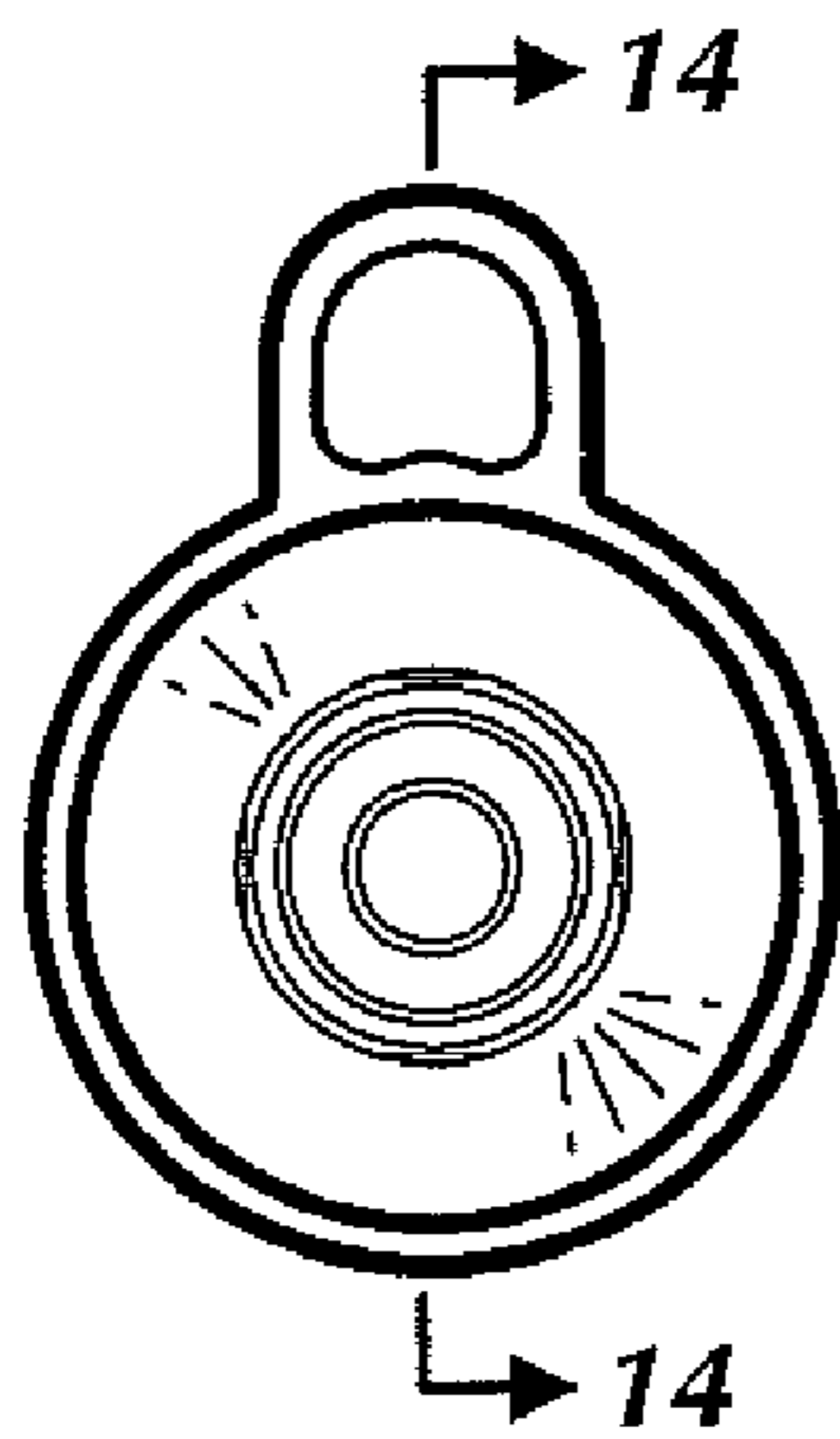


FIG. 13

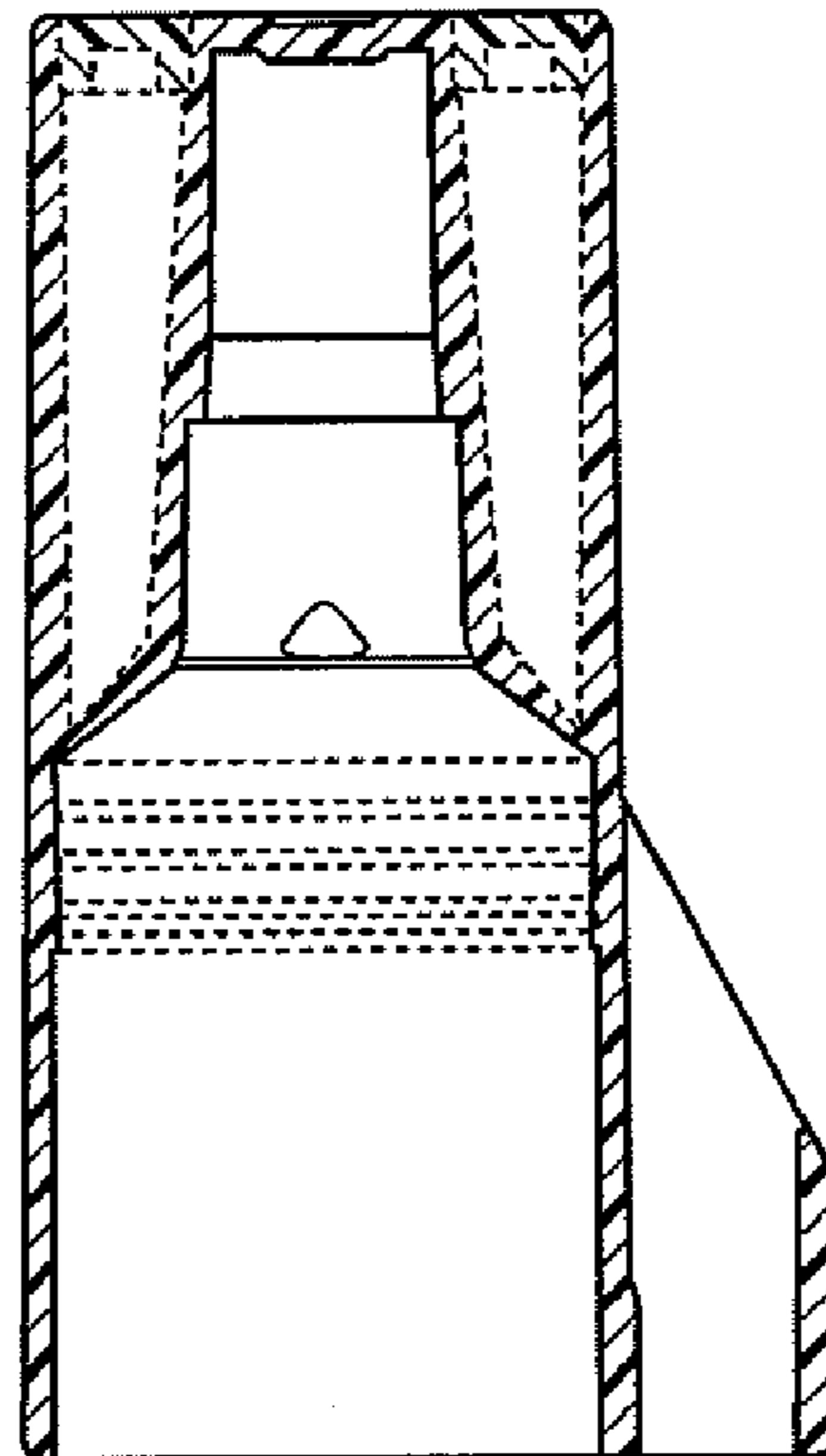


FIG. 14