



US00D567287S

(12) **United States Design Patent**  
**Anand**

(10) **Patent No.:** **US D567,287 S**

(45) **Date of Patent:** **\*\* Apr. 22, 2008**

(54) **PEN**

(75) **Inventor:** **Devendra S. Anand**, Mumbai (IN)

(73) **Assignee:** **Anand International** (IN)

(\*\*) **Term:** **14 Years**

(21) **Appl. No.:** **29/257,013**

(22) **Filed:** **Mar. 28, 2006**

(51) **LOC (8) Cl.** ..... **19-06**

(52) **U.S. Cl.** ..... **D19/48**

(58) **Field of Classification Search** ..... D19/35-36,  
D19/41-51, 54-57; 362/118; 24/11 R, 11 F,  
24/11 P; 401/52, 99, 100, 104-109, 192,  
401/195  
See application file for complete search history.

(56) **References Cited**

**U.S. PATENT DOCUMENTS**

D143,049 S	*	11/1945	Waldringer	.....	D19/48
D288,825 S	*	3/1987	Thompson et al.	.....	D19/49
D289,304 S	*	4/1987	Giugiaro	.....	D19/48
D363,739 S	*	10/1995	Petrillo	.....	D19/48
D400,580 S	*	11/1998	Schmidt et al.	.....	D19/48
D406,604 S	*	3/1999	Andrews et al.	.....	D19/48
D440,602 S	*	4/2001	Ikeda	.....	D19/48
D452,707 S	*	1/2002	Kazaoka	.....	D19/36
D453,354 S	*	2/2002	Ikenaga et al.	.....	D19/36
D489,089 S	*	4/2004	Losel	.....	D19/48
D494,218 S		8/2004	Anand	.....	D19/51
D495,001 S	*	8/2004	Anand	.....	D19/51
D496,401 S		9/2004	Anand	.....	D19/51
D506,503 S	*	6/2005	Qiu	.....	D19/48
D508,717 S		8/2005	Anand	.....	D19/50
D509,852 S		9/2005	Anand	.....	D19/50
D509,853 S		9/2005	Anand	.....	D19/51
D511,545 S	*	11/2005	Chiaruttini	.....	D19/51

D512,098 S	*	11/2005	Qiu	.....	D19/48
D512,457 S	*	12/2005	Anand	.....	D19/48
D512,459 S		12/2005	Anand	.....	D19/51
D543,586 S	*	5/2007	Cetera	.....	D19/48
D546,389 S	*	7/2007	Chiaruttini	.....	D19/48
D546,880 S	*	7/2007	Slemp	.....	D19/48
D548,787 S	*	8/2007	Slemp	.....	D19/48

**FOREIGN PATENT DOCUMENTS**

EM	000137021-0001	*	5/2004
EM	000231451-0002	*	1/2005
EM	000471677-0002	*	3/2006

**OTHER PUBLICATIONS**

The Mezo pen, as shown on [www.anandpen.com](http://www.anandpen.com), viewed May 30, 2007 (2 pages).\*

\* cited by examiner

*Primary Examiner*—Elizabeth A. Albert

*Assistant Examiner*—Karen E Eldridge Powers

(74) *Attorney, Agent, or Firm*—St. Onge Steward Johnston & Reens LLC

(57) **CLAIM**

The ornamental design for pen, as shown and described.

**DESCRIPTION**

FIG. 1 is an isometric view of a pen in accordance with the new design;

FIG. 2 is a front view thereof;

FIG. 3 is a left view thereof;

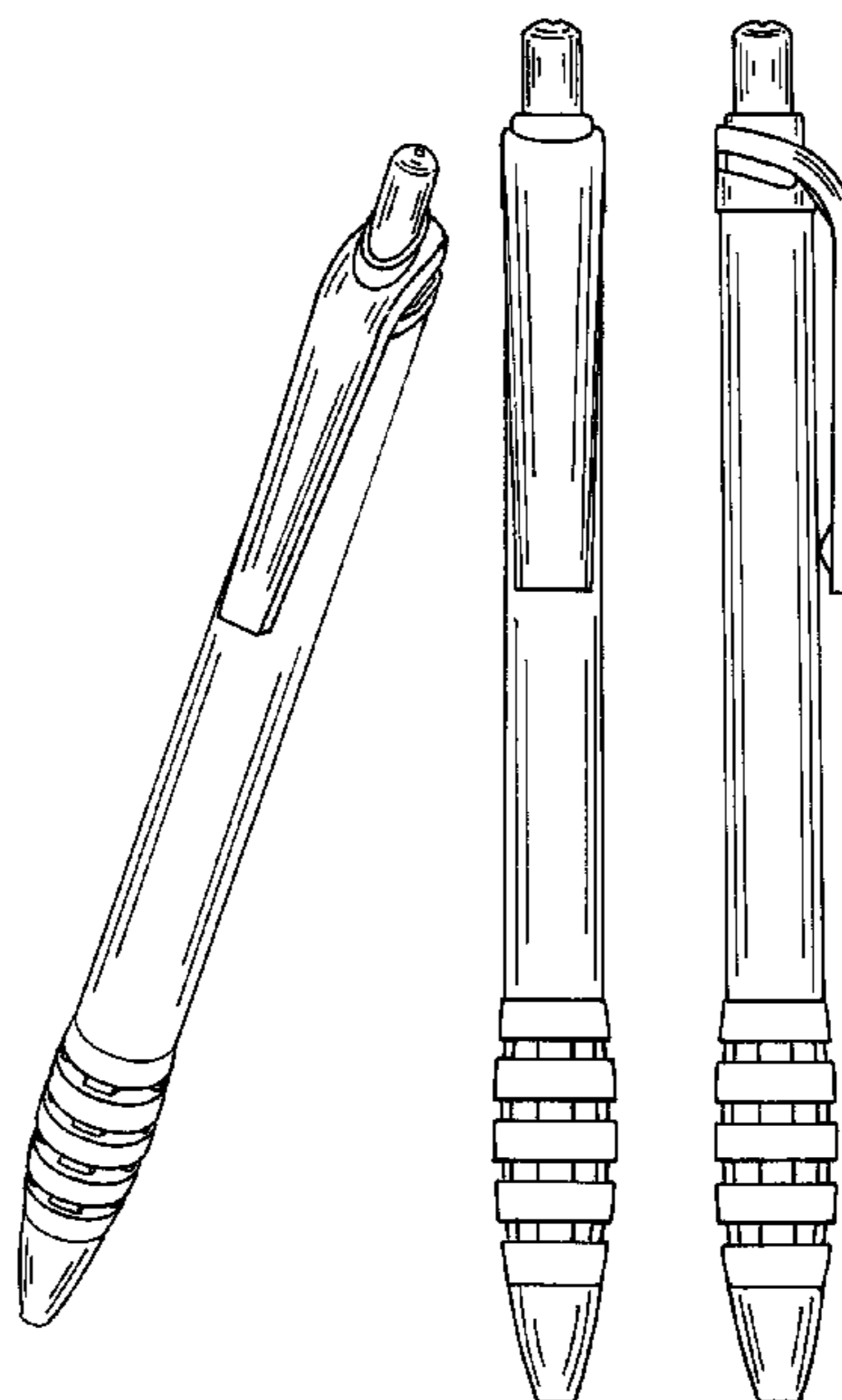
FIG. 4 is a right view thereof;

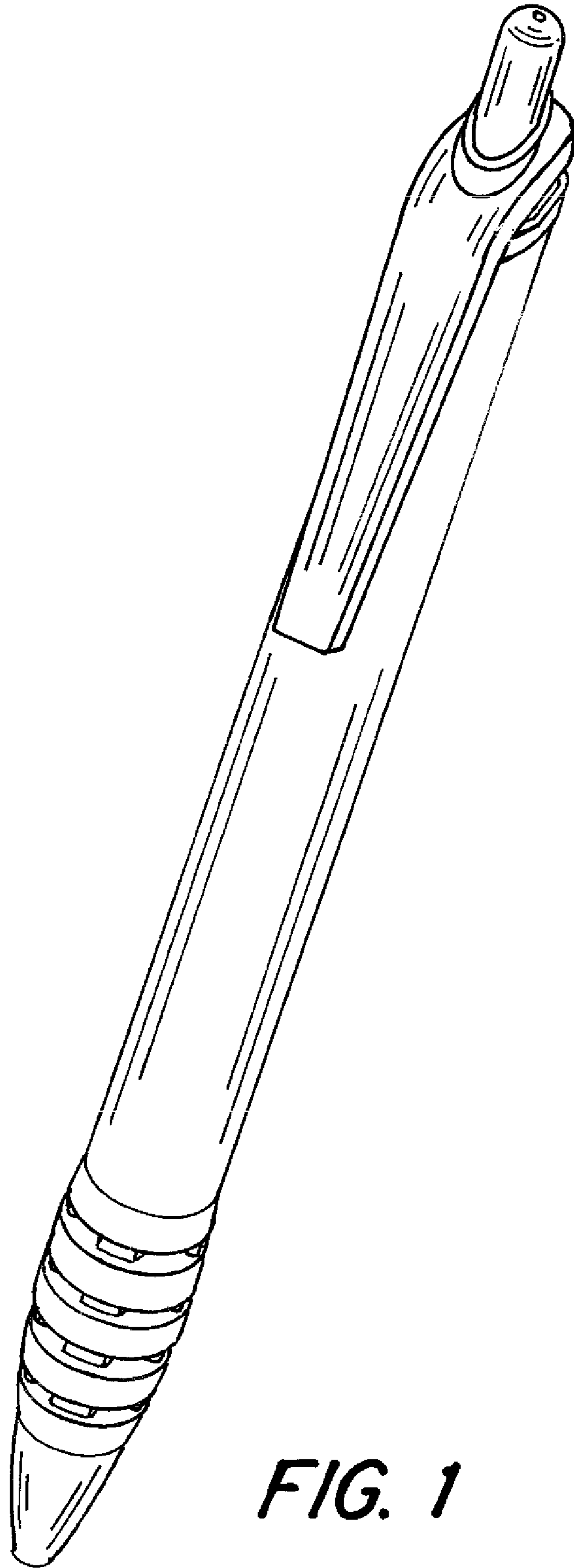
FIG. 5 is a rear view thereof;

FIG. 6 is a bottom view thereof; and,

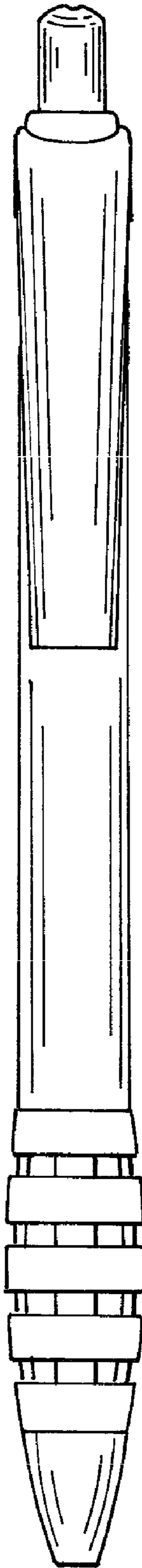
FIG. 7 is a top view thereof.

**1 Claim, 6 Drawing Sheets**

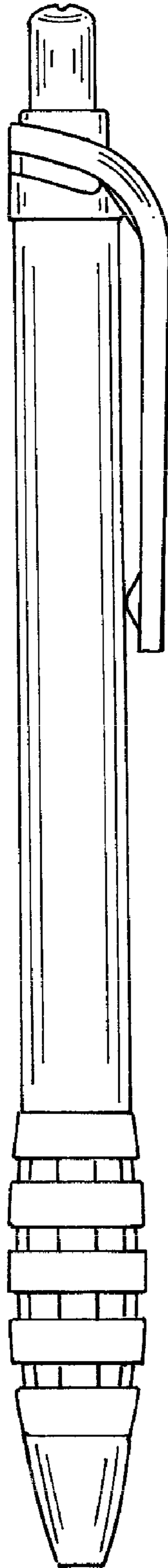




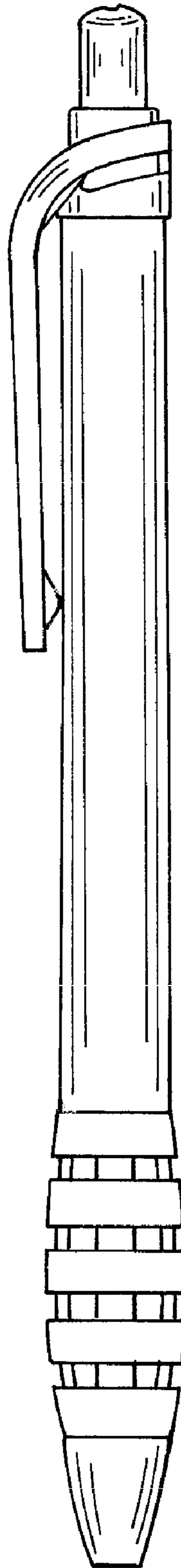
**FIG. 1**



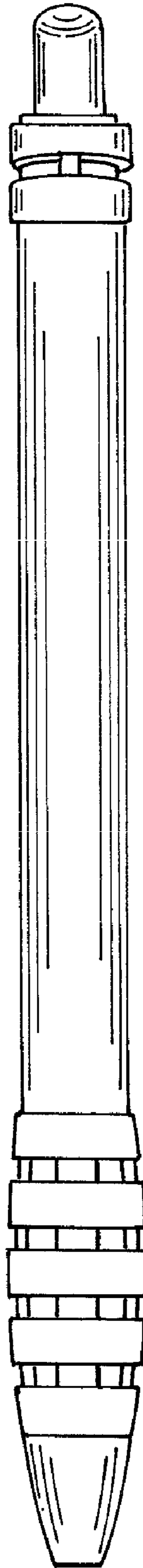
*FIG. 2*



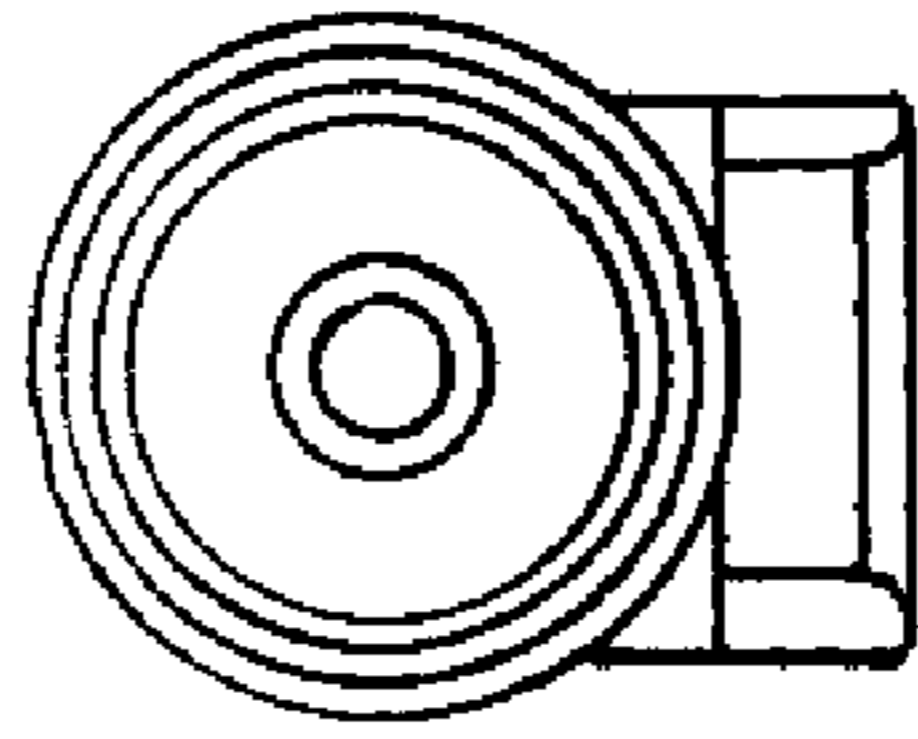
*FIG. 3*



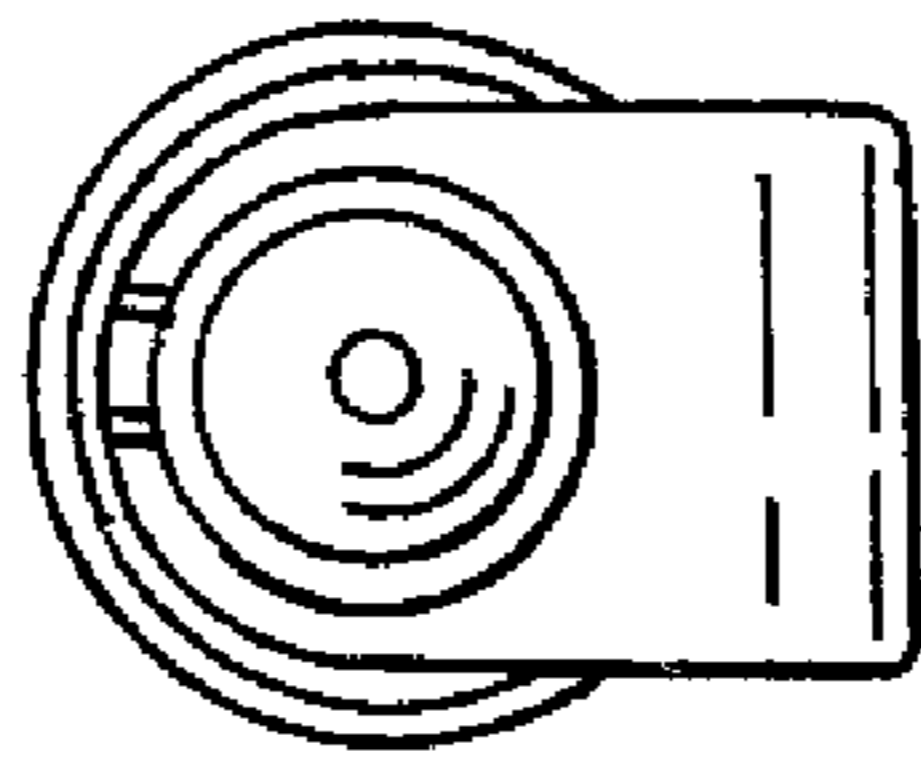
*FIG. 4*



*FIG. 5*



***FIG. 6***



***FIG. 7***