



US00D567283S

(12) **United States Design Patent**
Larson et al.

(10) **Patent No.:** **US D567,283 S**
(45) **Date of Patent:** **** Apr. 22, 2008**

(54) **PRINTER**

D527,414 S * 8/2006 Miyauchi et al. D18/50

(75) Inventors: **David B. Larson**, Eagle, ID (US);
Michael V. Leman, Eagle, ID (US);
Kenzo Akamatsu, Boise, ID (US)

* cited by examiner

Primary Examiner—Robert M. Spear
Assistant Examiner—Ania K Dworzecka

(73) Assignee: **Hewlett-Packard Development Company, L.P.**, Houston, TX (US)

(57) **CLAIM**

(**) Term: **14 Years**

We claim the ornamental design for a printer, as shown and described.

(21) Appl. No.: **29/249,760**

DESCRIPTION

(22) Filed: **Oct. 20, 2006**

FIG. 1 is a top front perspective view of a printer showing our new design;

(51) **LOC (8) Cl.** **18-02**

(52) **U.S. Cl.** **D18/50**

FIG. 2 is a top plan view thereof;

(58) **Field of Classification Search** D18/56,

D18/55, 50, 4.3, 12.3, 36-41, 43, 44, 46-49,

D18/14, 18, 21, 51, 54, 54.1, 58, 34.1, 34.9,

D18/35, 35.1, 99; D16/246-248; D14/420-425,

D14/462-470; 399/107

FIG. 3 is a right end elevational thereof;

FIG. 4 is a left end elevational view thereof;

FIG. 5 is a front elevational view thereof;

FIG. 6 is a rear elevational view thereof; and,

FIG. 7 is a bottom plan view thereof.

See application file for complete search history.

The broken lines in the drawings are for illustrative purposes only and form no part of the claimed design.

The dash-dot-dash lines shown in FIG. 6 define the bounds of the claimed design and form no part thereof.

(56) **References Cited**

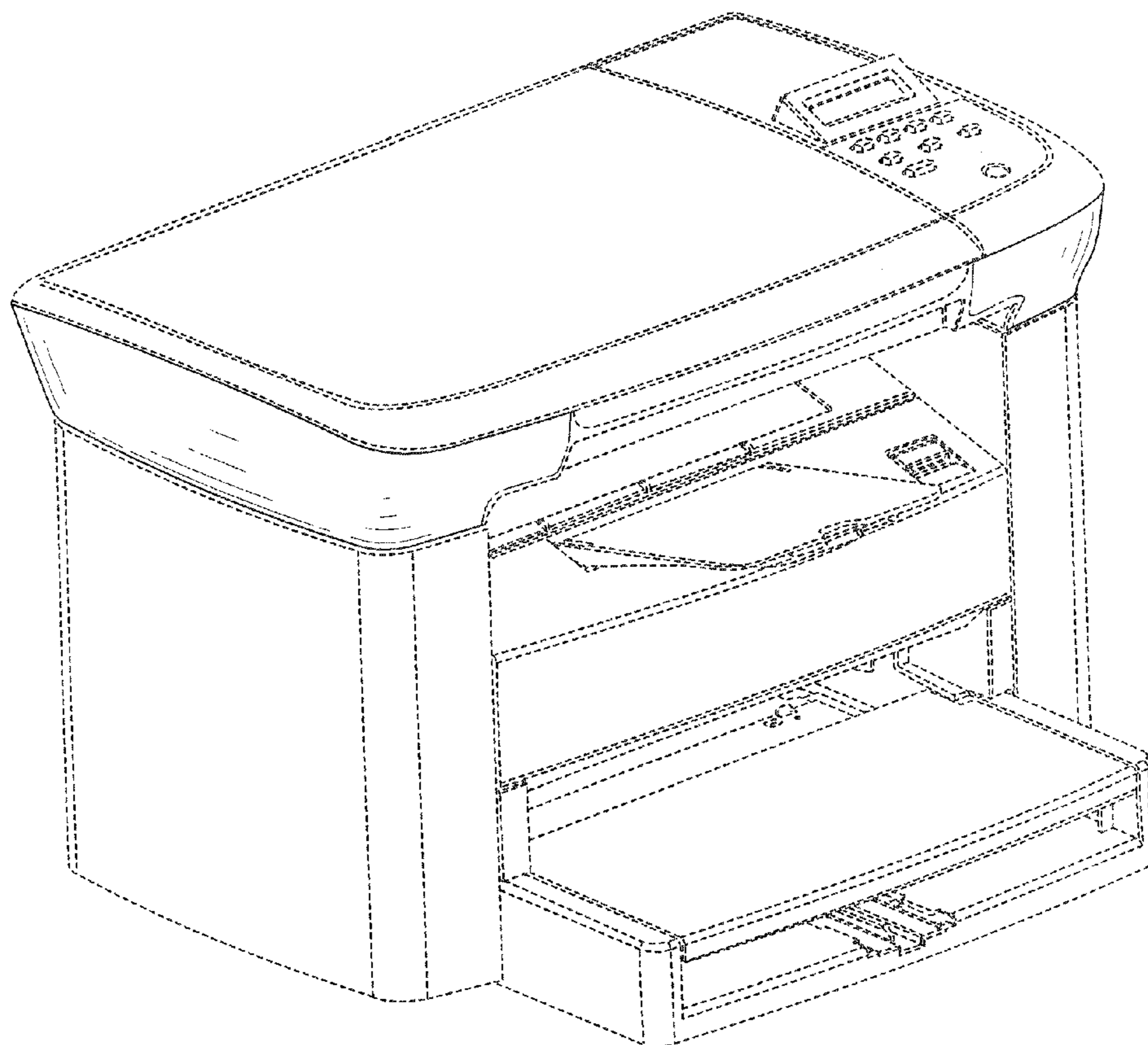
U.S. PATENT DOCUMENTS

D520,558 S * 5/2006 Matsumoto et al. D18/50

D521,061 S * 5/2006 Katayama et al. D18/55

D526,351 S * 8/2006 Yamamoto et al. D18/55

1 Claim, 7 Drawing Sheets



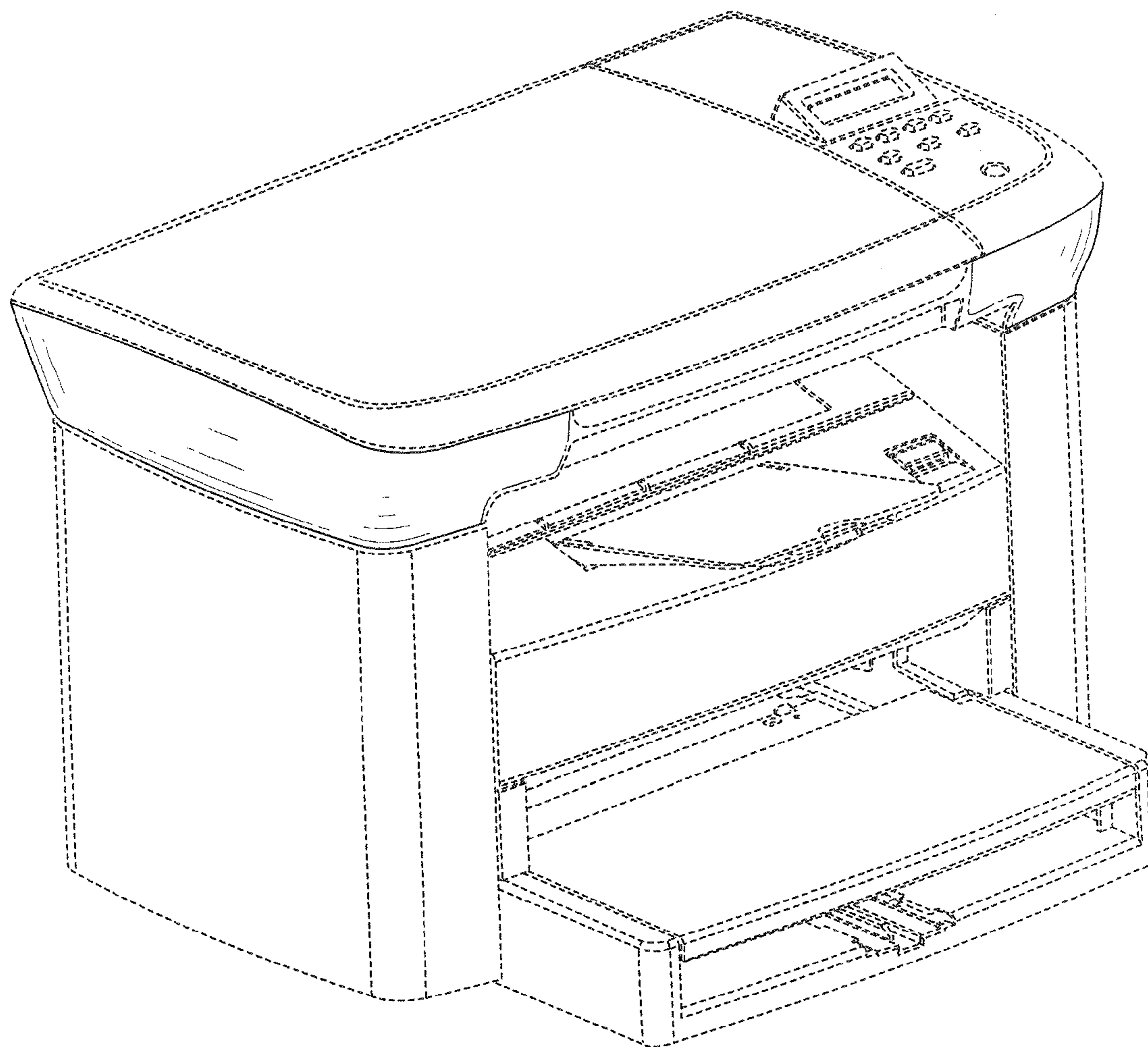


FIG. 1

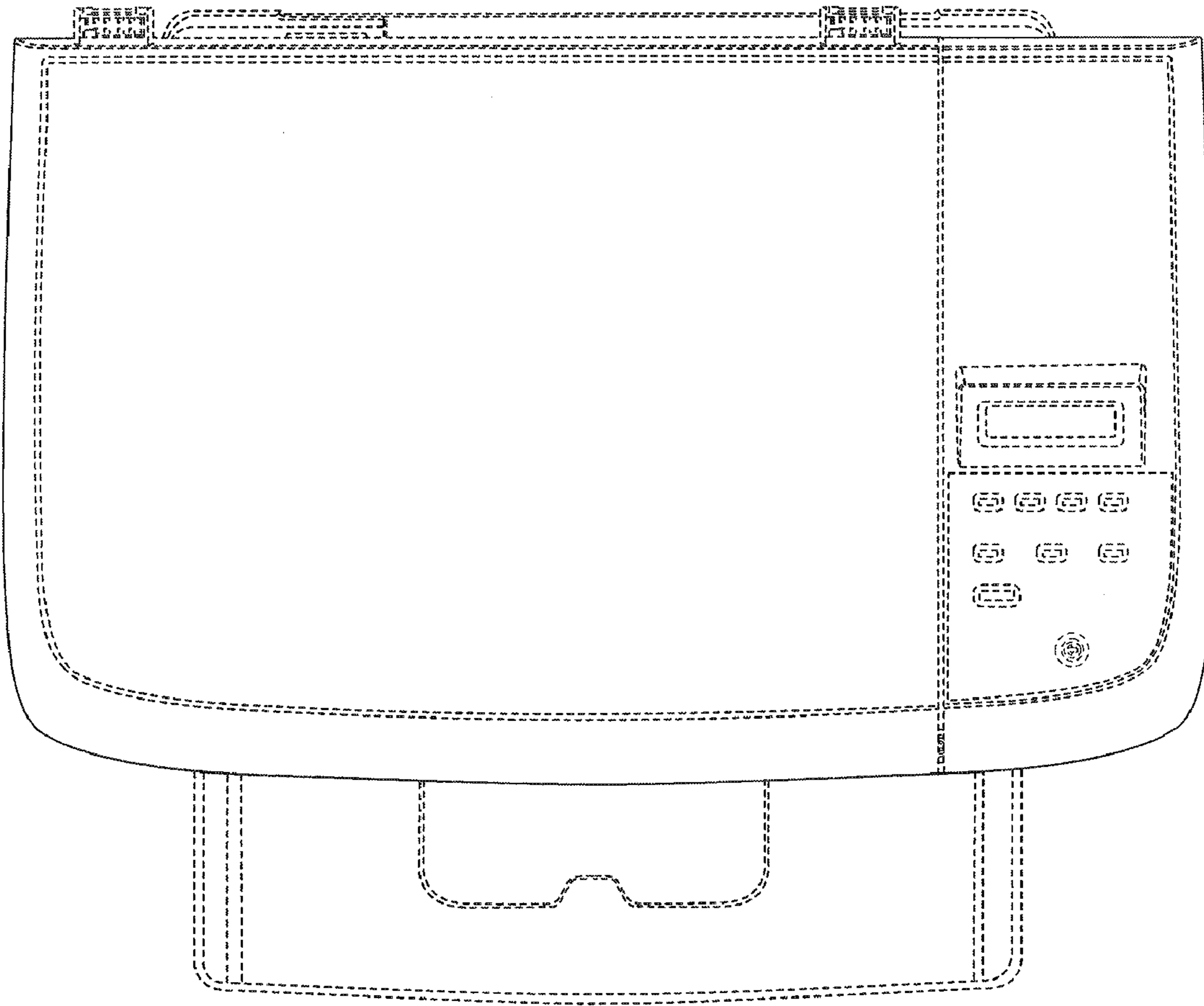


FIG. 2

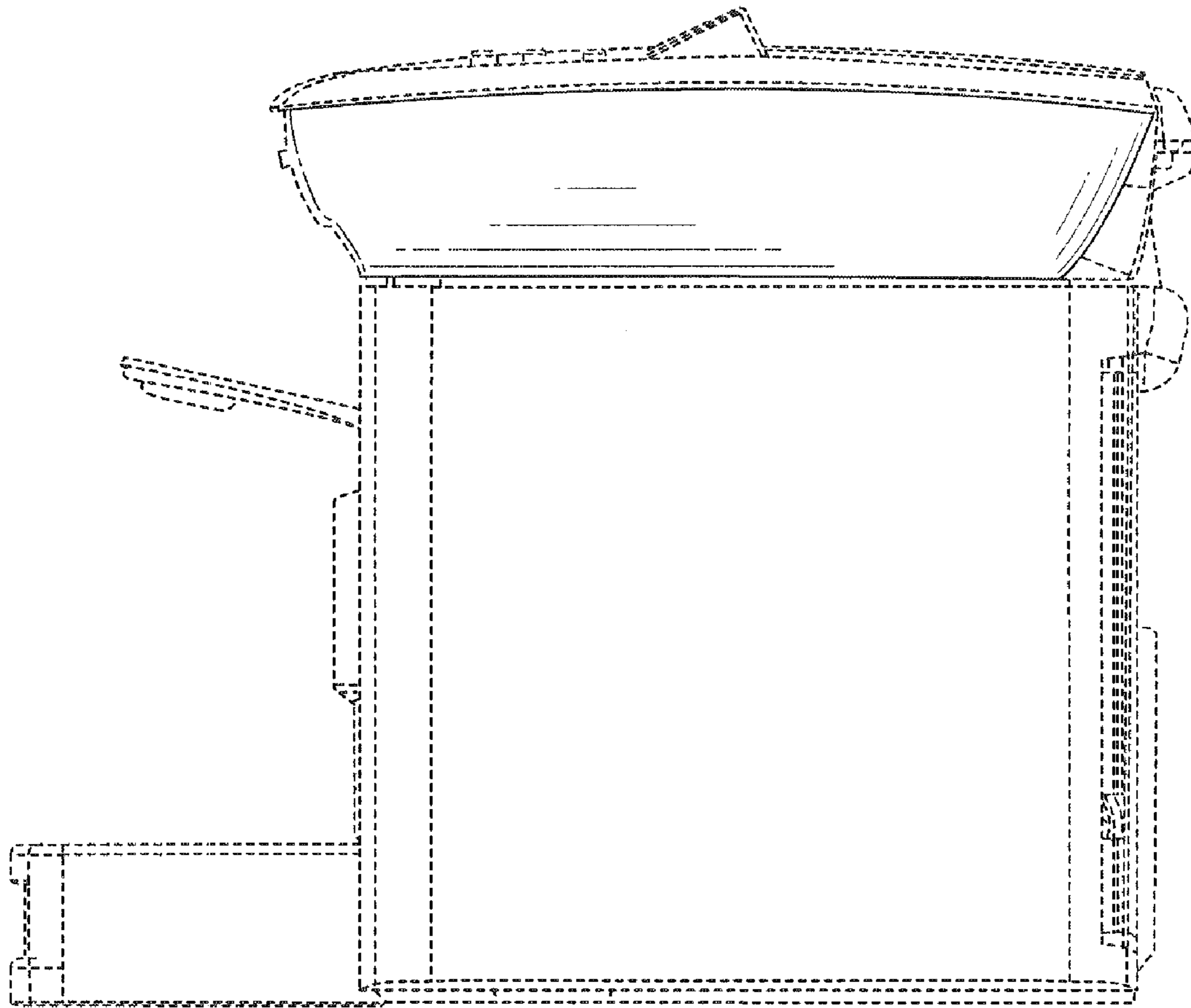


FIG. 3

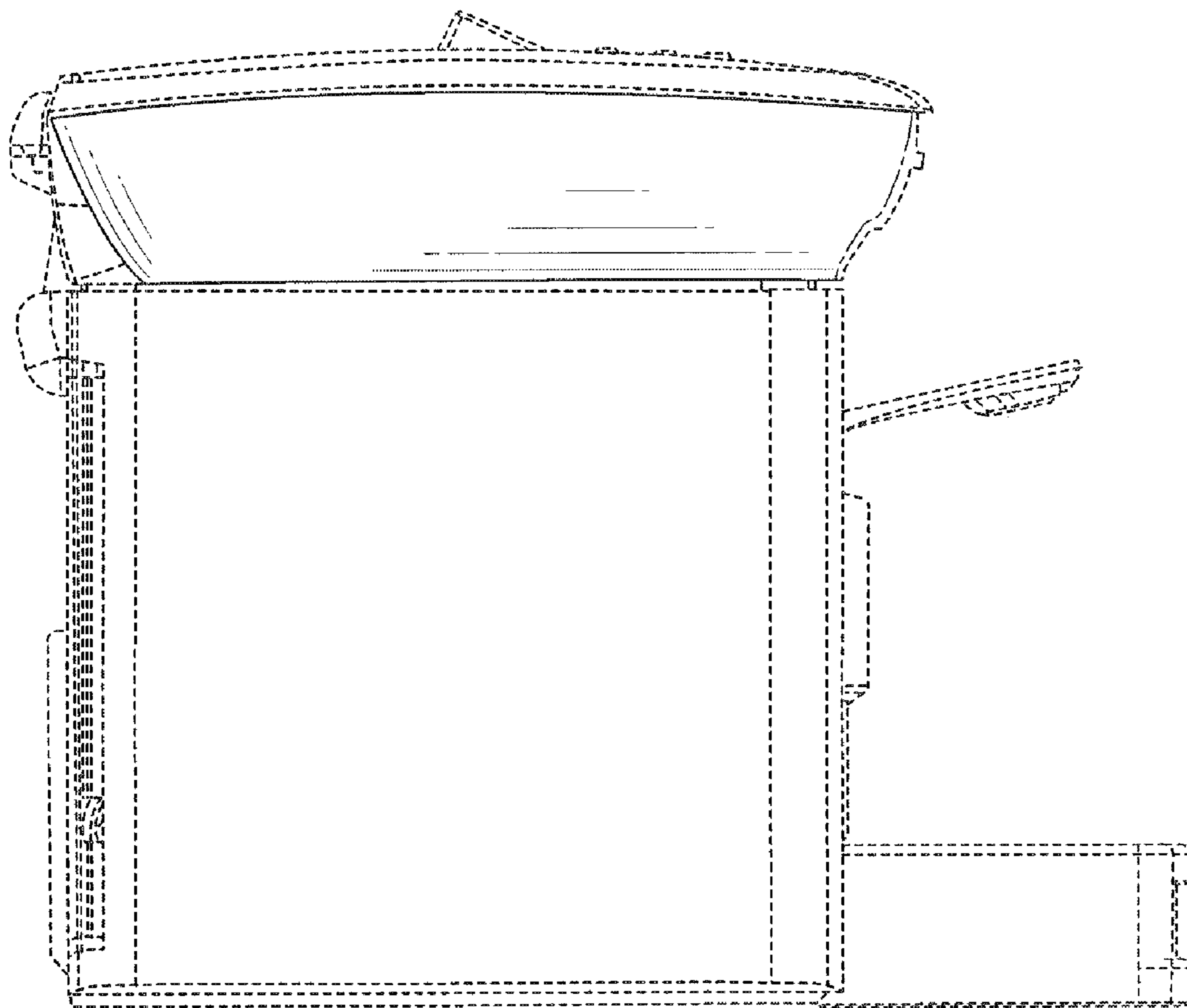


FIG. 4

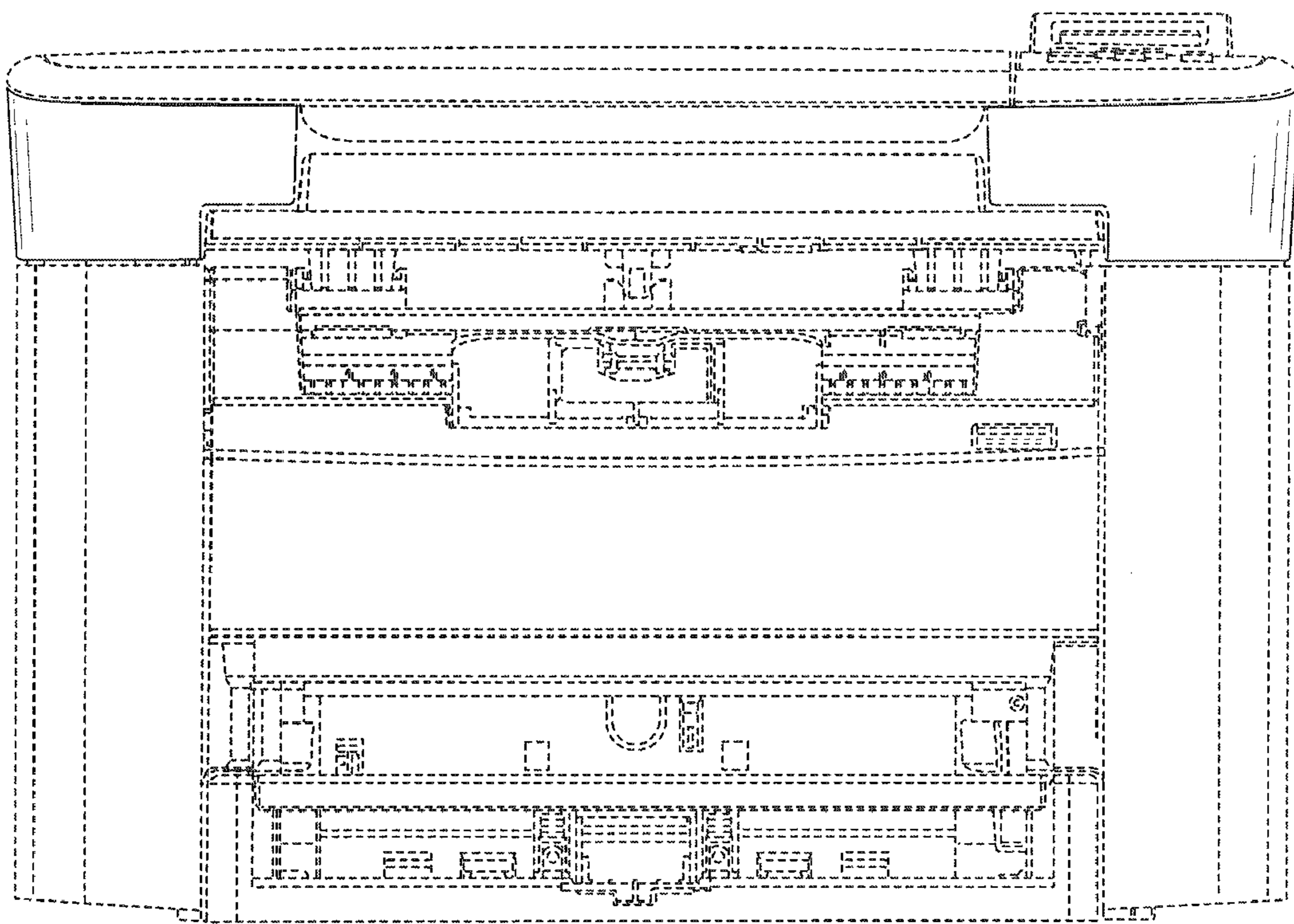


FIG. 5

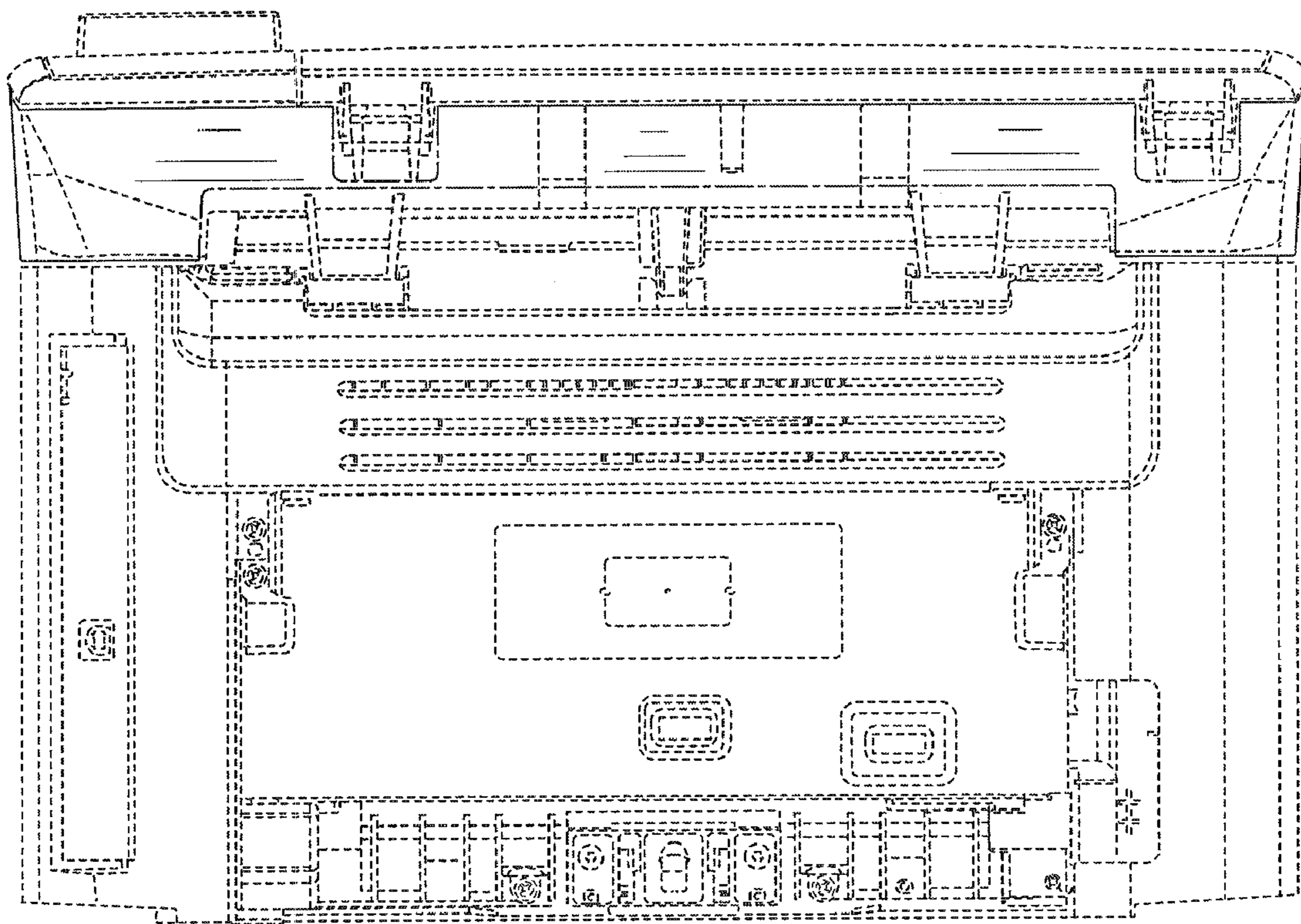


FIG. 6

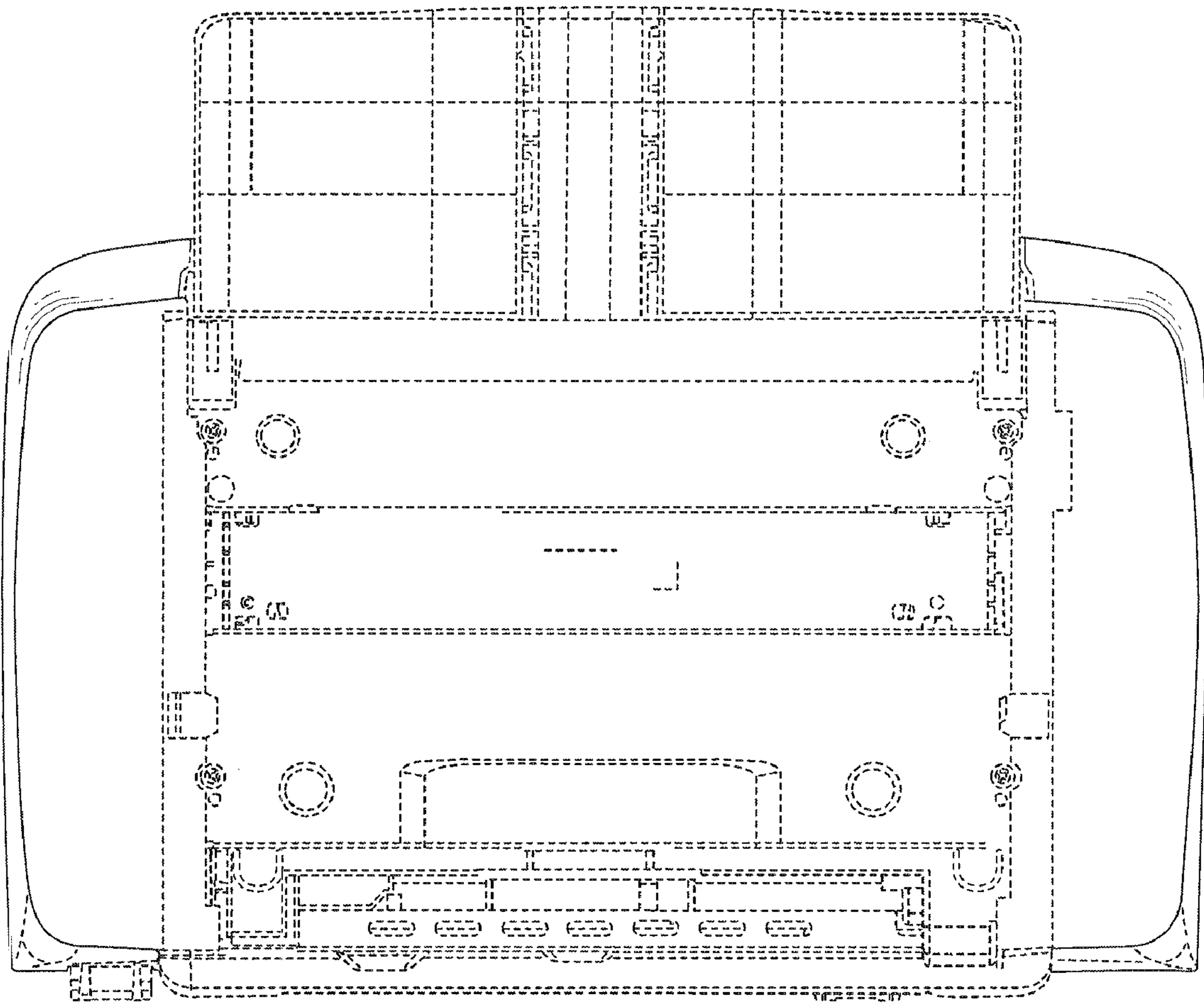


FIG. 7