



US00D567281S

(12) **United States Design Patent**
Hattori

(10) **Patent No.:** **US D567,281 S**

(45) **Date of Patent:** **** Apr. 22, 2008**

(54) **TAPE PRINTING MACHINE**

(75) Inventor: **Mitsuharu Hattori**, Nagoya (JP)

(73) Assignee: **Brother Industries, Ltd.**, Nagoya (JP)

(**) Term: **14 Years**

(21) Appl. No.: **29/261,951**

(22) Filed: **Jun. 23, 2006**

(30) **Foreign Application Priority Data**

Dec. 27, 2005 (JP) 2005-038468

(51) **LOC (8) Cl.** **18-99**

(52) **U.S. Cl.** **D18/19; D18/4.1**

(58) **Field of Classification Search** D14/336,
D14/371, 373-376, 385-387, 399; D18/3.1-3.3,
D18/4.1-4.6, 6-8, 11, 12, 12.1-12.3, 19;
D21/324, 329, 332, 333; D99/28, 34-36,
D99/43; 235/1 E, 2, 7 R, 12, 22, 33, 51,
235/52; 705/12, 15-18, 43

See application file for complete search history.

(56) **References Cited**

U.S. PATENT DOCUMENTS

D330,906 S * 11/1992 Kawaishi et al. D18/4.4
D353,613 S * 12/1994 Miyake et al. D18/4.4
D391,982 S * 3/1998 Hong D18/1
D398,629 S * 9/1998 Nakamura et al. D18/19
D410,674 S * 6/1999 Tanaka et al. D18/19

D454,150 S * 3/2002 Shigemura et al. D18/4.1
D468,761 S * 1/2003 Mizusugi D18/4.1
D477,629 S * 7/2003 Hattori et al. D18/19
D525,284 S * 7/2006 Matsumoto et al. D18/19
D526,005 S * 8/2006 Matsumoto D18/19
D540,371 S * 4/2007 Miyahara D18/4.1
D542,331 S * 5/2007 Miyahara D18/4.1
D542,332 S * 5/2007 Miyahara D18/4.1

* cited by examiner

Primary Examiner—Caron D. Veynar

Assistant Examiner—Garth Rademaker

(74) *Attorney, Agent, or Firm*—Oliff & Berridge, PLC

(57) **CLAIM**

The ornamental design for a tape printing machine, as shown and described.

DESCRIPTION

FIG. 1 is a perspective view of a tape printing machine;

FIG. 2 is a front view thereof;

FIG. 3 is a top view thereof;

FIG. 4 is a right-side view thereof;

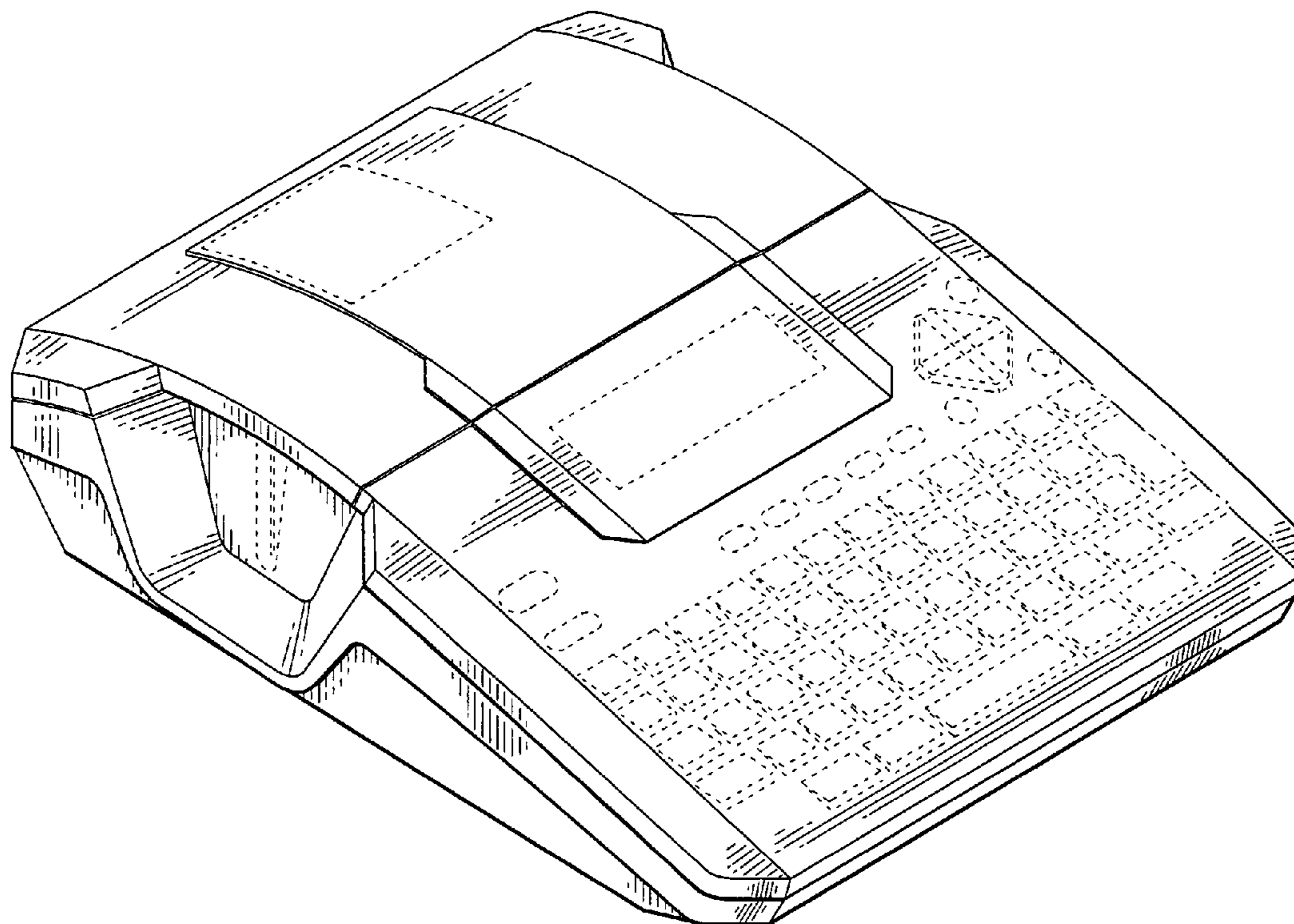
FIG. 5 is a left-side view thereof;

FIG. 6 is a rear view thereof; and,

FIG. 7 is a bottom view thereof.

The broken lines depict environmental subject matter only and form no part of the claimed design.

1 Claim, 4 Drawing Sheets



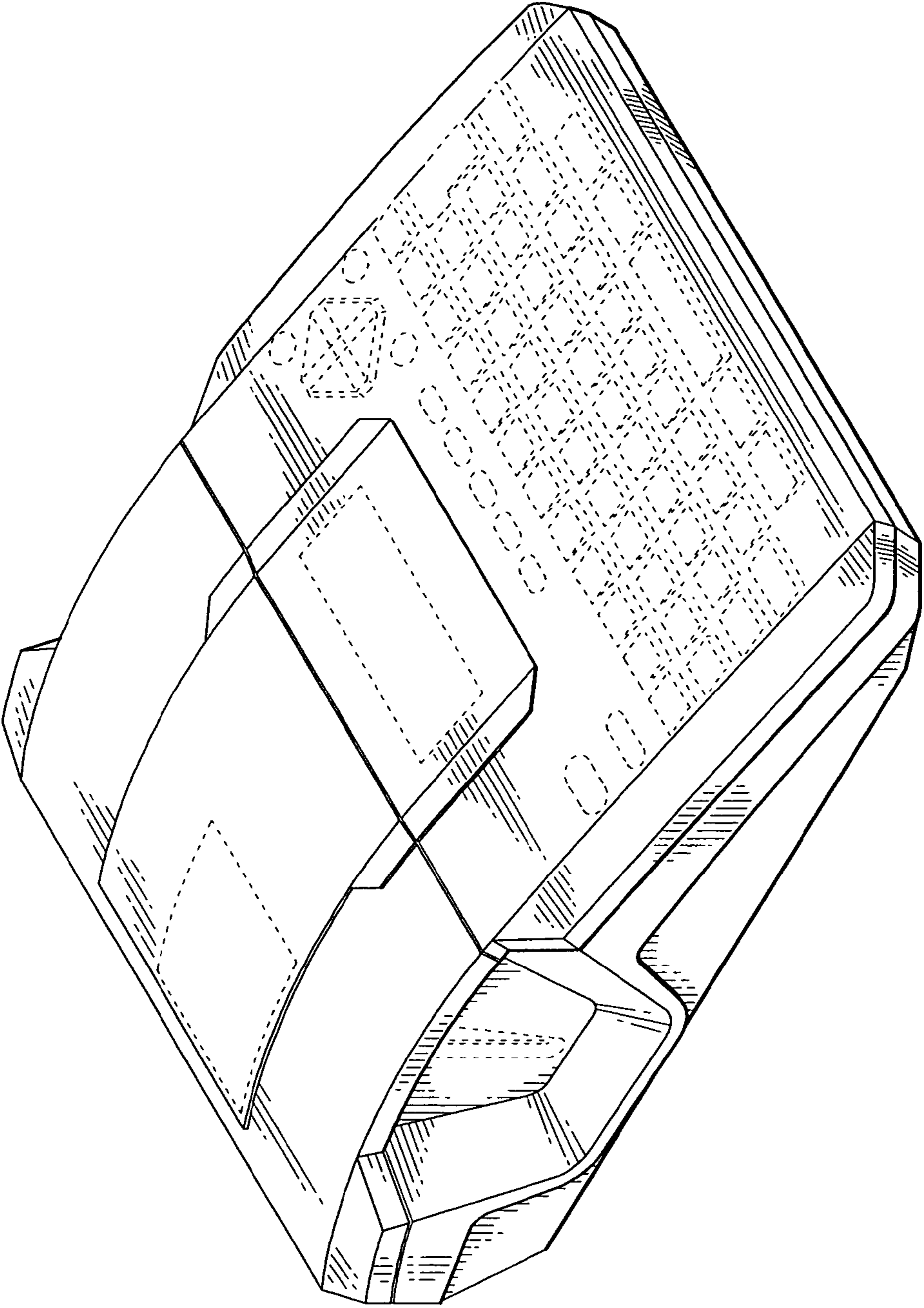


FIG. 1

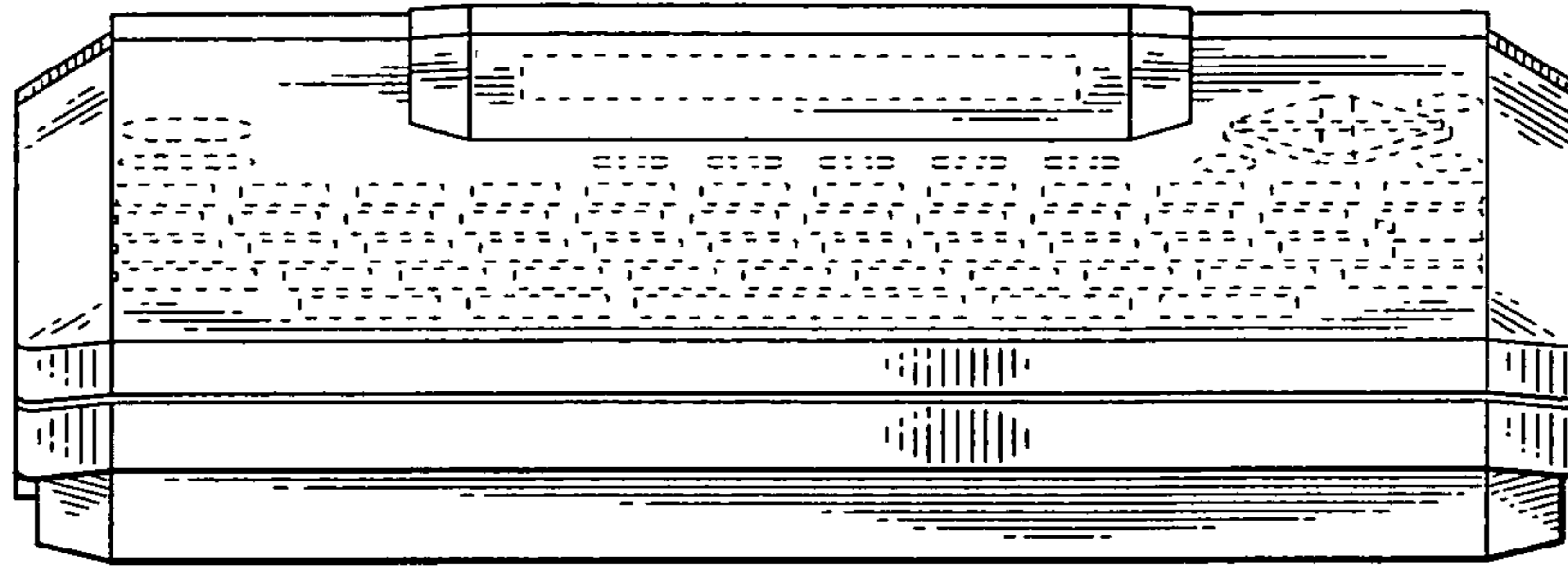


FIG. 2

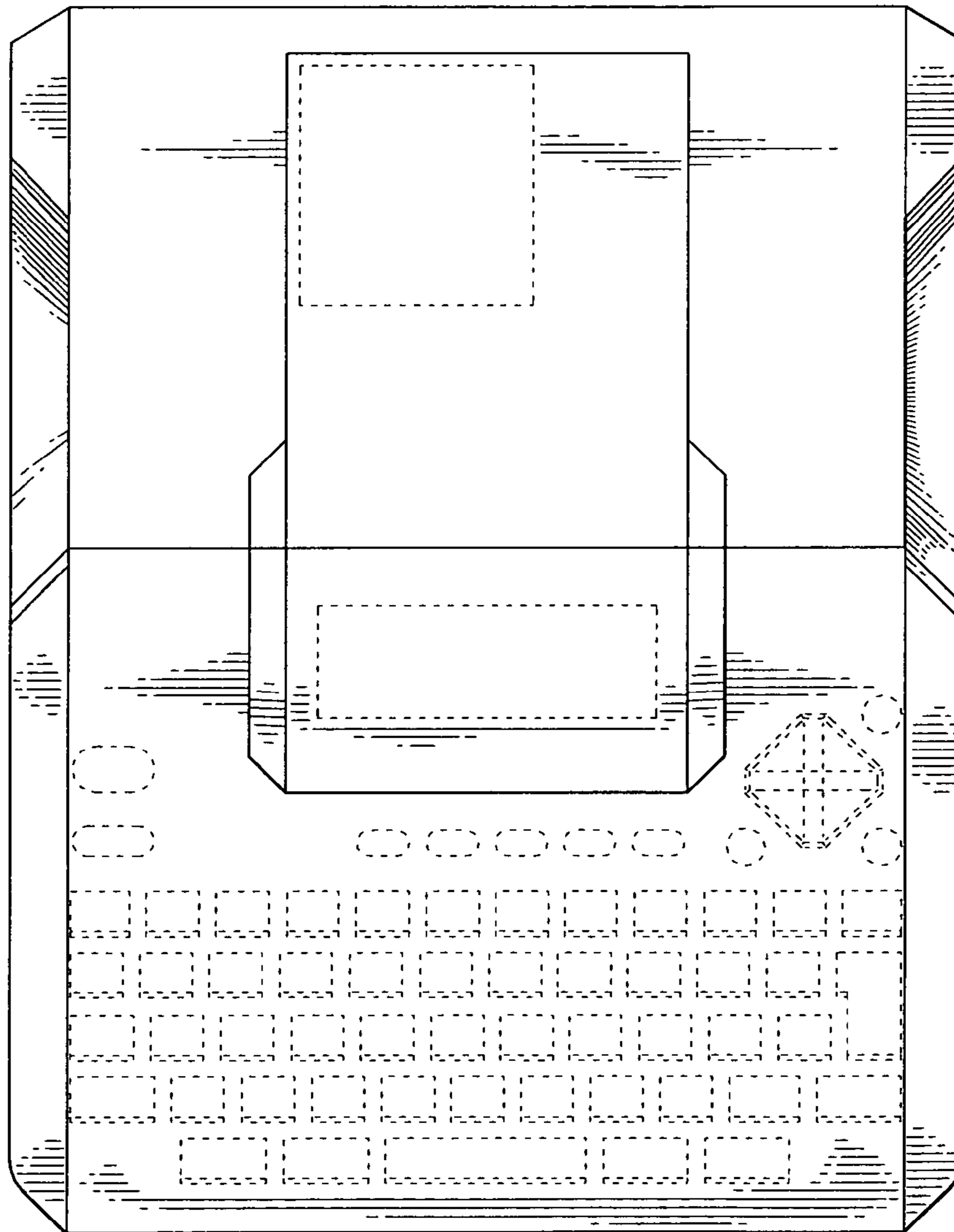


FIG. 3

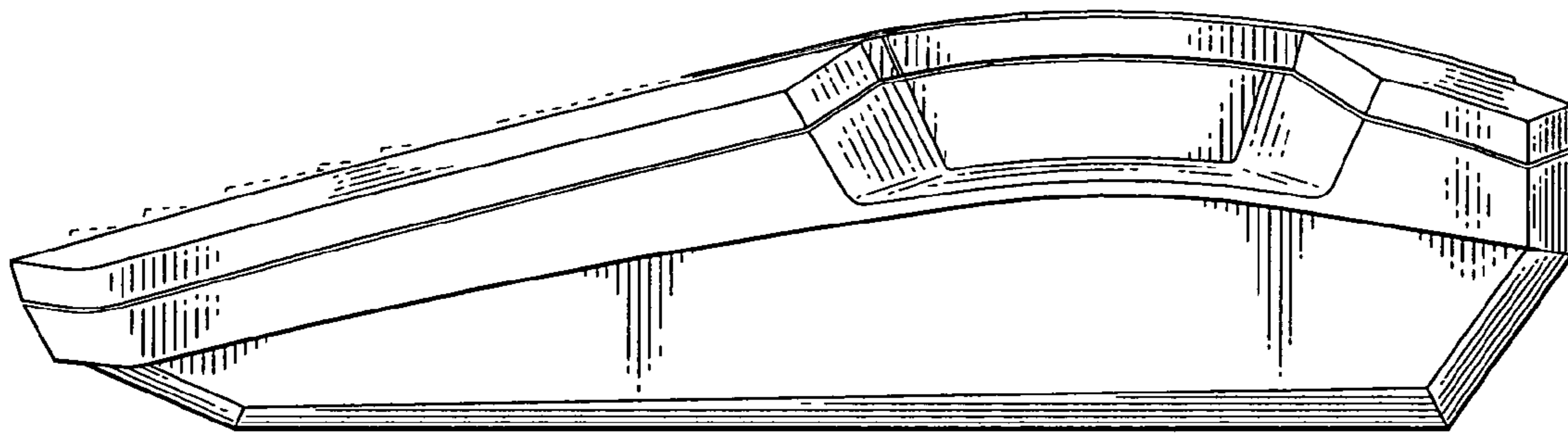


FIG. 4

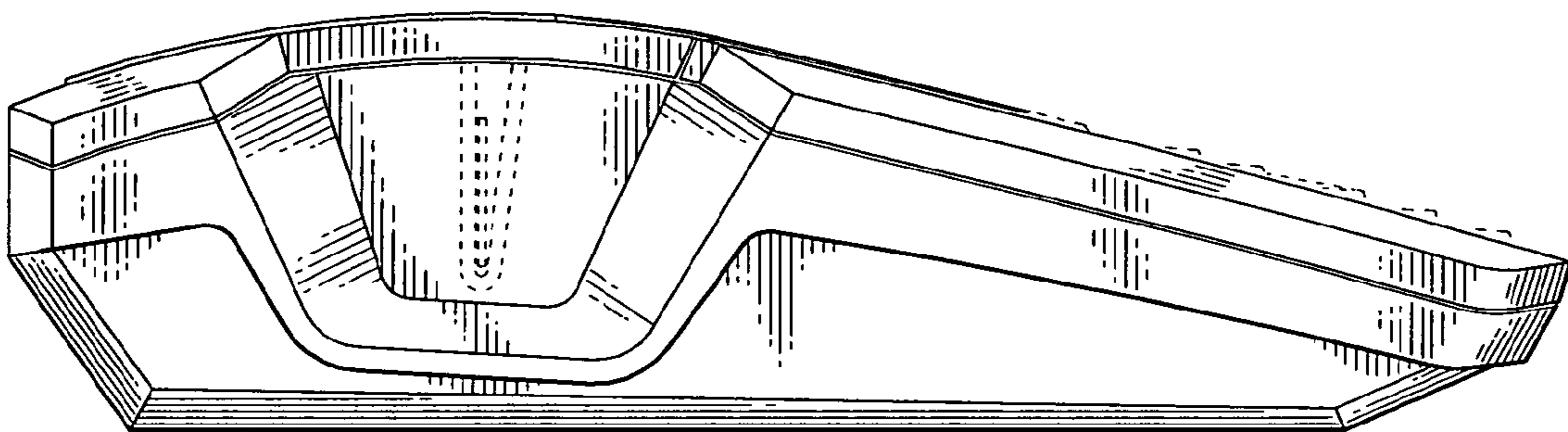


FIG. 5

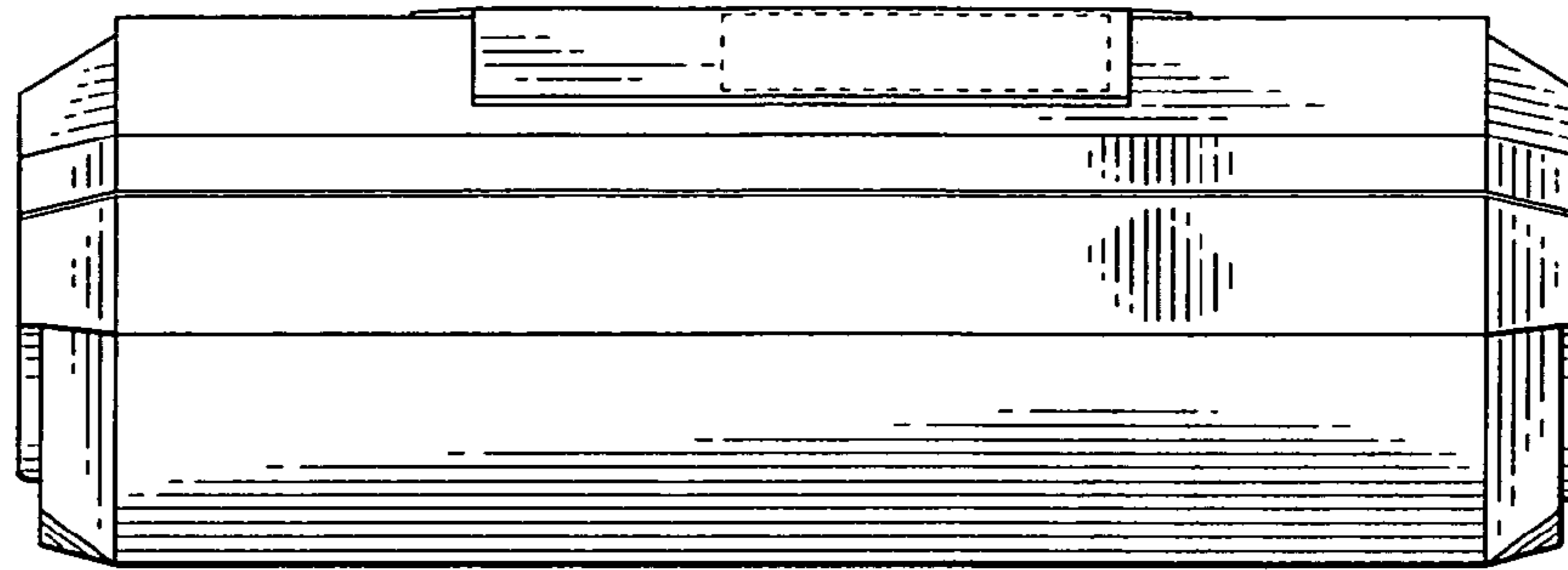


FIG. 6

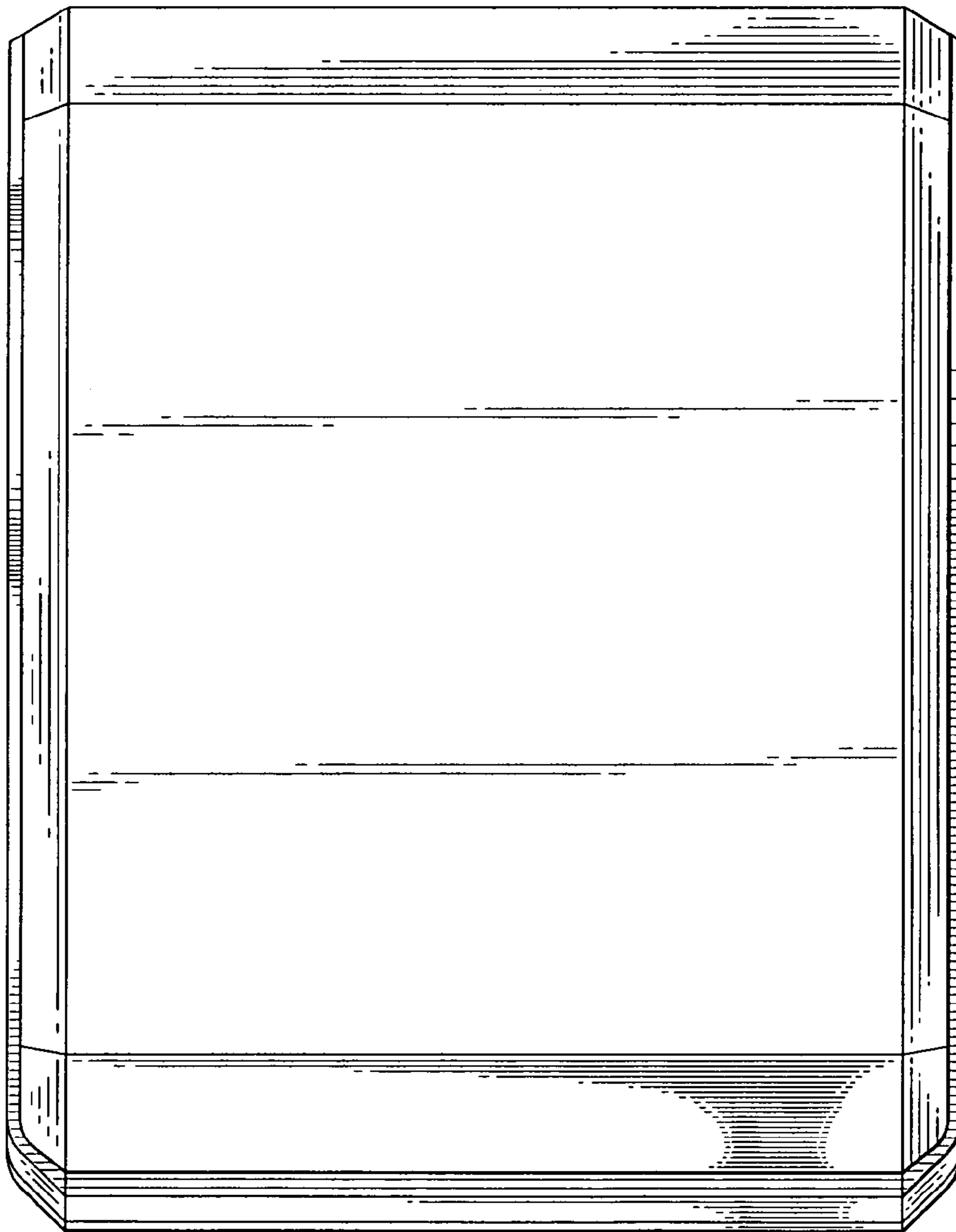


FIG. 7