



US00D567278S

(12) **United States Design Patent**
Kim

(10) **Patent No.:** **US D567,278 S**

(45) **Date of Patent:** **** Apr. 22, 2008**

(54) **ELECTRONIC CAMERA**

2005/0162545 A1* 7/2005 Jeon 348/373
2005/0173276 A1* 8/2005 Hsu 206/320

(75) Inventor: **Young Soo Kim**, Bellevue, WA (US)

* cited by examiner

(73) Assignee: **Microsoft Corporation**, Redmond, WA (US)

Primary Examiner—Ian Simmons

Assistant Examiner—Wan Laymon

(**) Term: **14 Years**

(74) *Attorney, Agent, or Firm*—Banner & Witcoff, Ltd.

(21) Appl. No.: **29/248,310**

(57) **CLAIM**

(22) Filed: **Aug. 9, 2006**

The ornamental design for an electronic camera, as shown and described.

(51) **LOC (8) Cl.** **16-01**

(52) **U.S. Cl.** **D16/208; D16/202; D16/211**

(58) **Field of Classification Search** D16/200–206,
D16/208, 211–213, 217–219; 348/373–376;
358/906, 909.1; 396/348, 535–541
See application file for complete search history.

DESCRIPTION

(56) **References Cited**

U.S. PATENT DOCUMENTS

D234,542 S *	3/1975	Quinn	D16/212
D237,833 S *	11/1975	Winkler	D16/212
4,493,542 A *	1/1985	Ohmura et al.	396/541
5,557,356 A *	9/1996	Ishida et al.	396/537
D470,523 S *	2/2003	Basmdjian et al.	D16/212
6,591,069 B2 *	7/2003	Horiguchi	396/535
D500,777 S *	1/2005	Basmdjian et al.	D16/212
D517,586 S *	3/2006	Eroma	D16/212
D553,618 S *	10/2007	Cheng	D16/208

FIG. 1 is a front and top perspective view of an electronic camera showing my new design;

FIG. 2 is a front view thereof;

FIG. 3 is a rear view thereof;

FIG. 4 is a bottom view thereof;

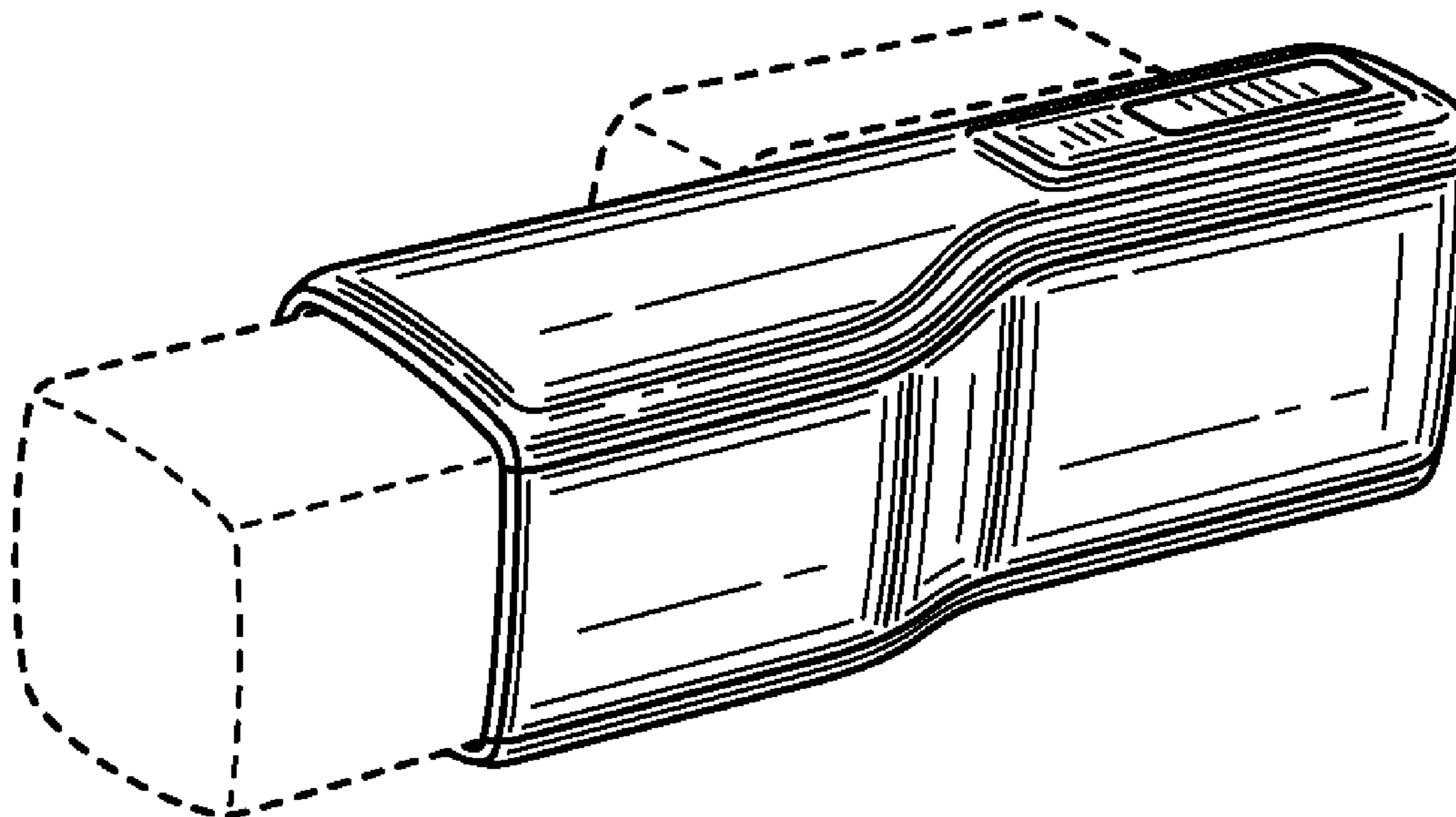
FIG. 5 is a top view thereof;

FIG. 6 is a left side view thereof; and,

FIG. 7 is a right side view thereof.

The broken line showing of various regions in the figures, including the unshaded areas therein, is for illustrative purposes and forms no part of the claimed design.

1 Claim, 2 Drawing Sheets



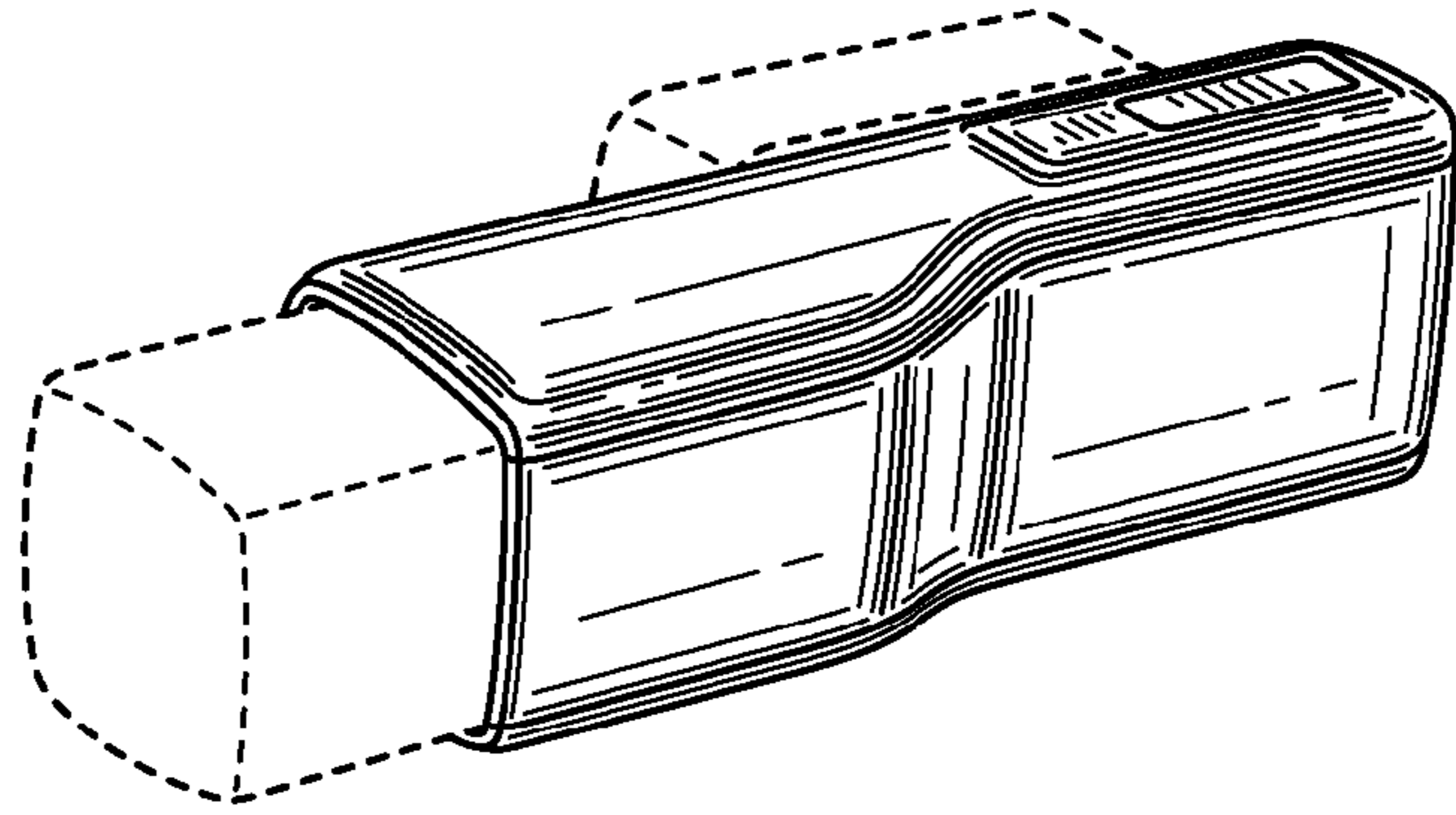


FIG. 1

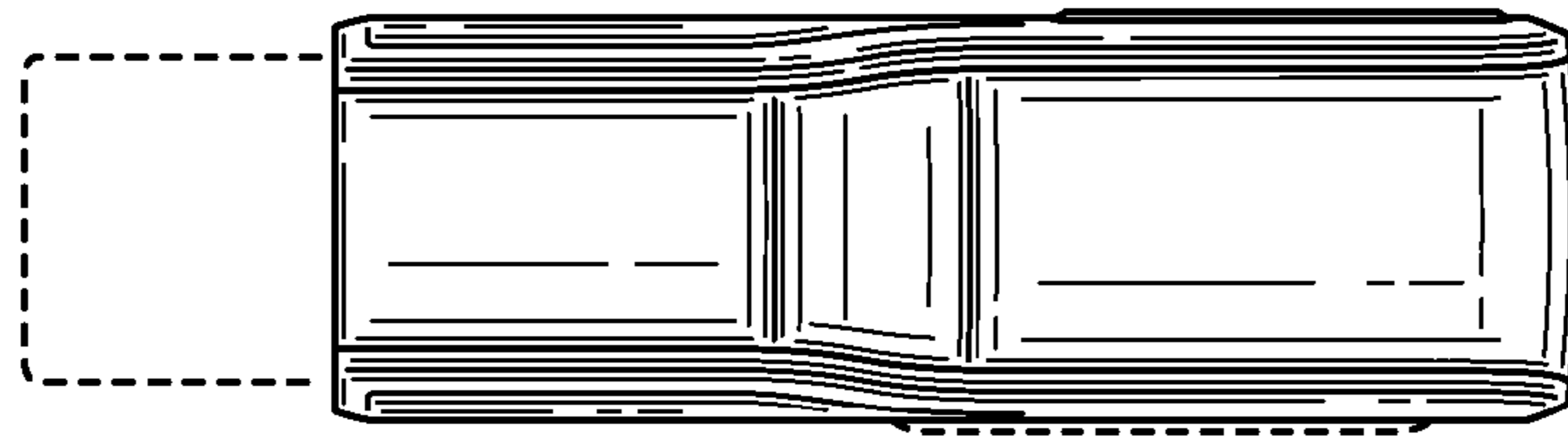


FIG. 2

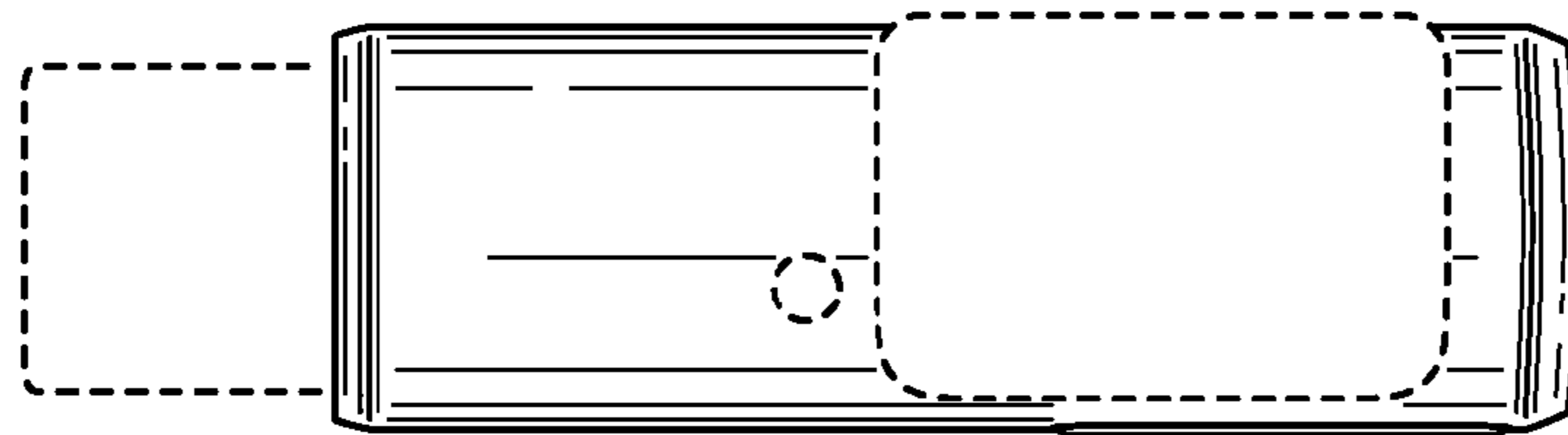


FIG. 3

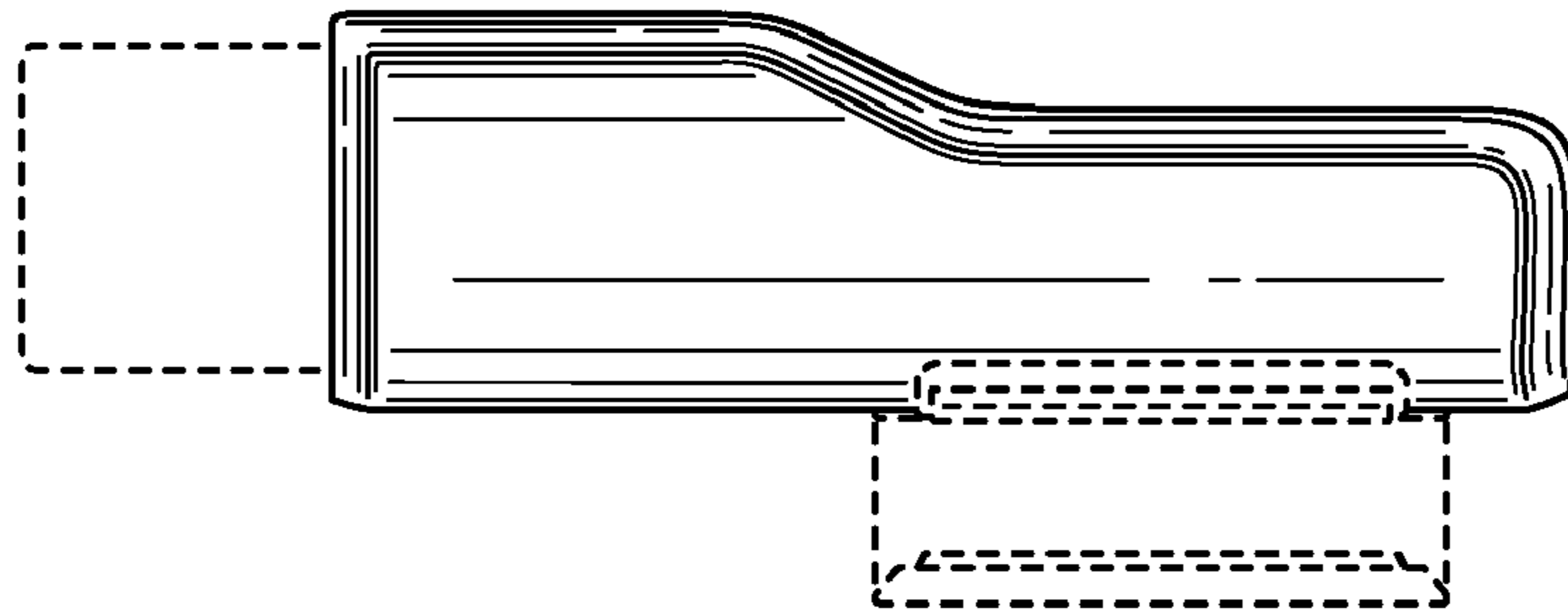


FIG. 4

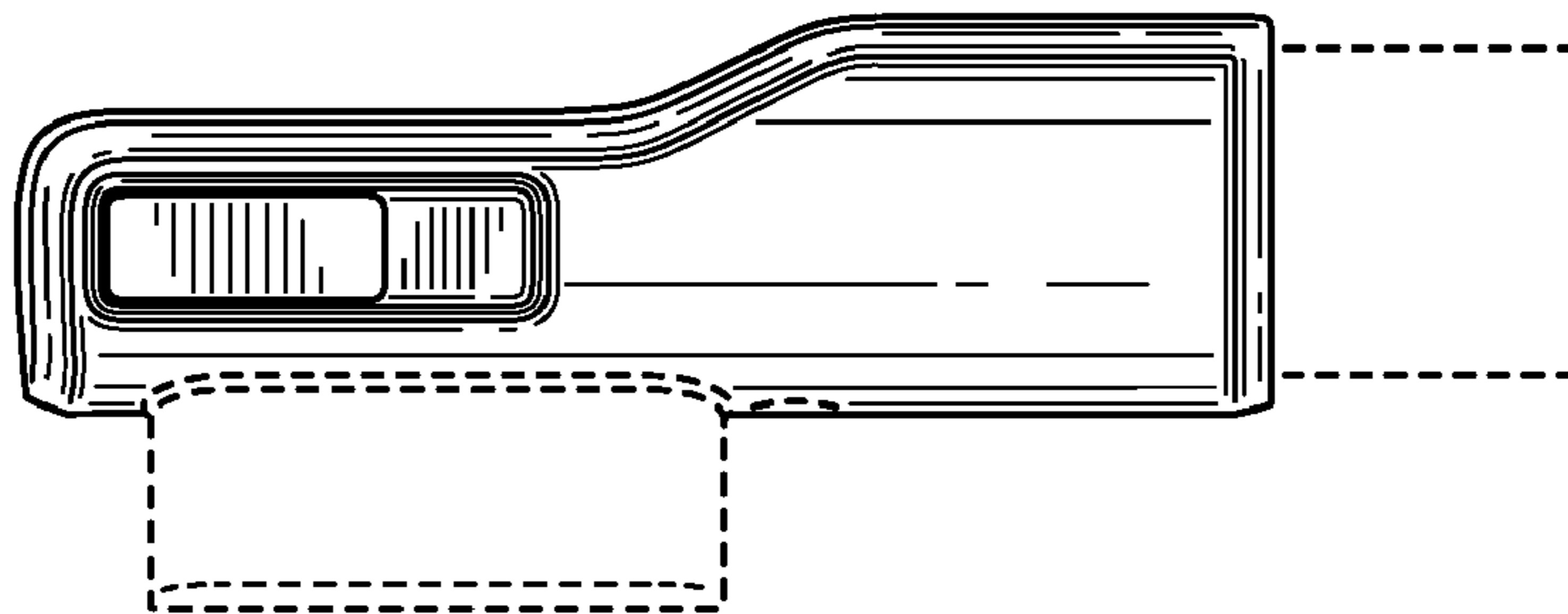


FIG. 5

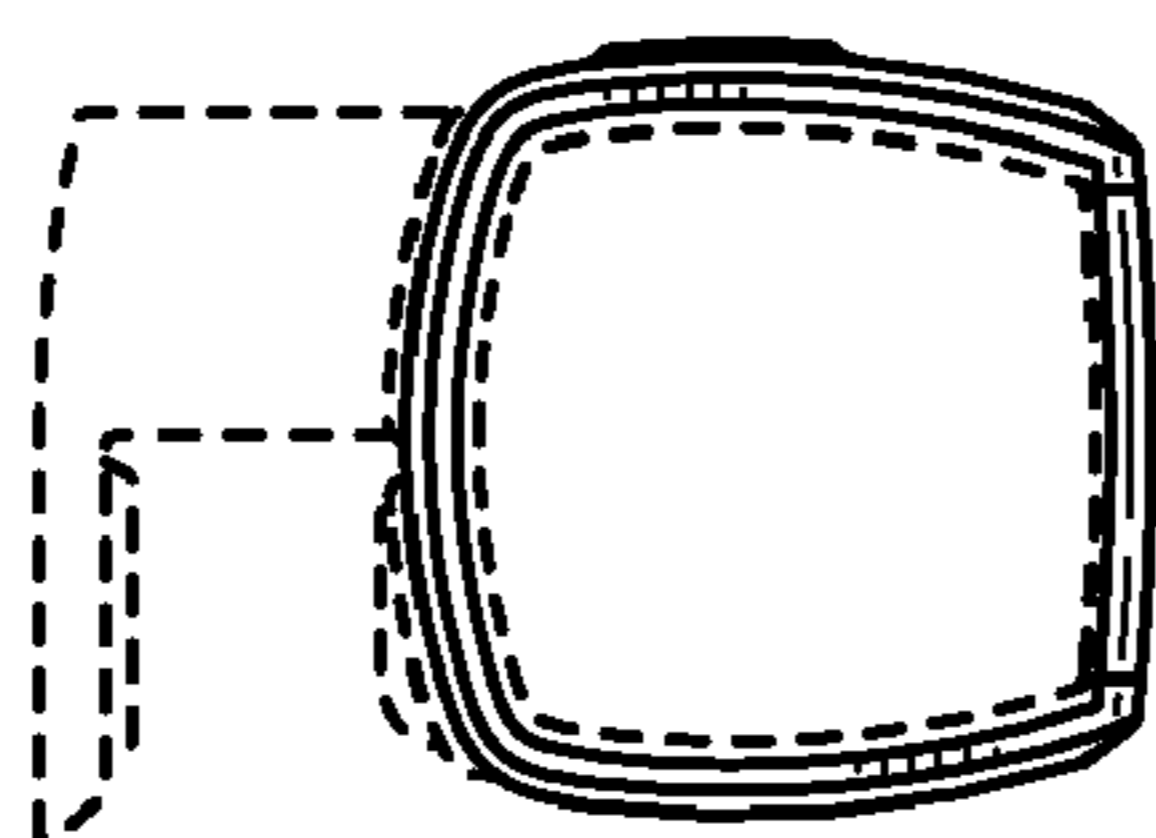


FIG. 6

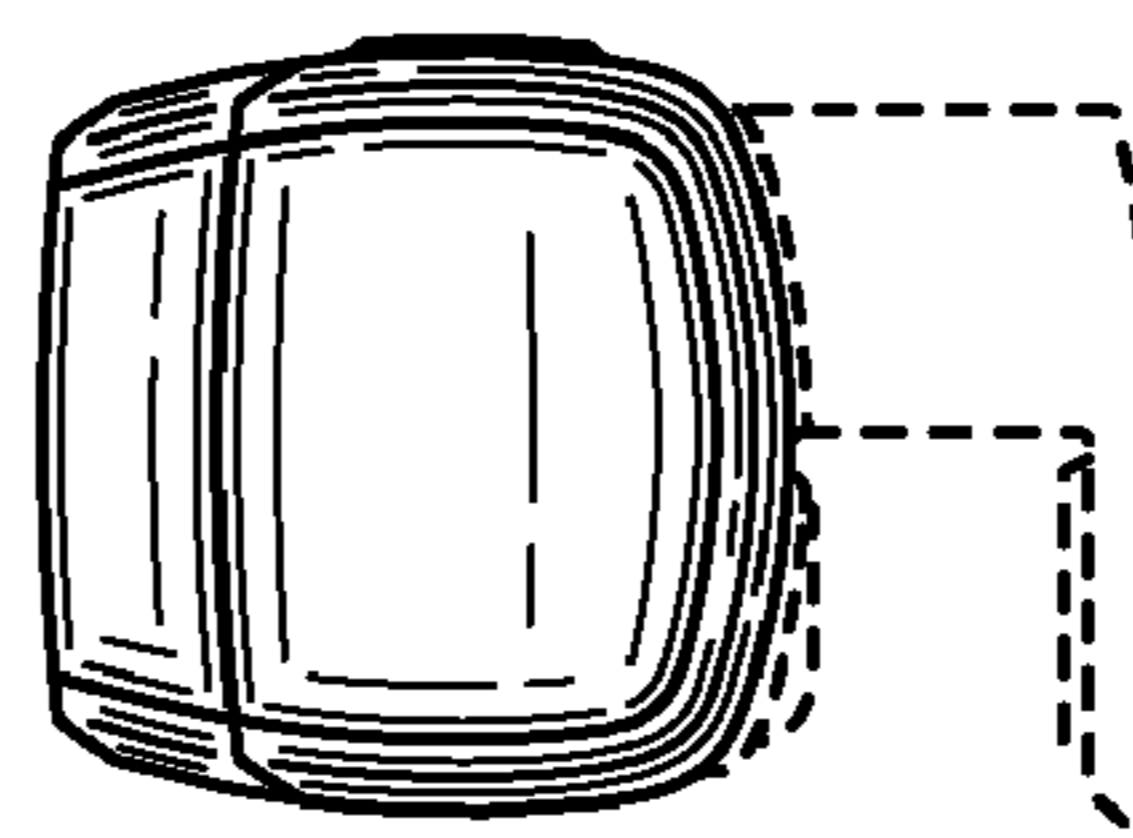


FIG. 7