

US00D567276S

(12) **United States Design Patent**
Sato et al.

(10) **Patent No.:** **US D567,276 S**
(45) **Date of Patent:** **** Apr. 22, 2008**

(54) **ELECTRONIC CAMERA**

(75) Inventors: **Jun Sato**, Tokyo (JP); **Masazumi Imai**,
Tokyo (JP)

(73) Assignee: **Fujifilm Corporation**, Tokyo (JP)

(**) Term: **14 Years**

(21) Appl. No.: **29/274,681**

(22) Filed: **May 15, 2007**

(30) **Foreign Application Priority Data**

Dec. 26, 2006 (JP) 2006-035710

(51) **LOC (8) Cl.** **16-01**

(52) **U.S. Cl.** **D16/202**

(58) **Field of Classification Search** D16/200–204,
D16/208, 218; 348/373–376; 358/909.1;
396/535–541

See application file for complete search history.

(56) **References Cited**

U.S. PATENT DOCUMENTS

- D388,805 S * 1/1998 Katayama D16/209
- 6,434,337 B1 * 8/2002 Misawa 358/909.1
- D482,054 S * 11/2003 Nasu D16/202
- D495,727 S * 9/2004 Dow et al. D16/202
- D528,579 S * 9/2006 Yasutomi D16/202

- D545,335 S * 6/2007 Kanno D16/202
- D547,343 S * 7/2007 Sato D16/202
- D548,252 S * 8/2007 Tajima D16/202
- 2005/0057685 A1 * 3/2005 Yamaguchi 348/375

* cited by examiner

Primary Examiner—Adir Aronovich

(74) *Attorney, Agent, or Firm*—Young & Thompson

(57) **CLAIM**

The ornamental design for an electronic camera, as shown and described.

DESCRIPTION

FIG. 1 is a top, front and left side perspective-view of an electronic camera showing our new design;

FIG. 2 is a front elevational view thereof;

FIG. 3 is a rear elevational view thereof;

FIG. 4 is a top plan view thereof;

FIG. 5 is a bottom plan view thereof;

FIG. 6 is a left side elevational view thereof;

FIG. 7 is a right side elevational view thereof; and,

FIG. 8 top, front and left side perspective view with a lens cover in a closed position.

1 Claim, 4 Drawing Sheets

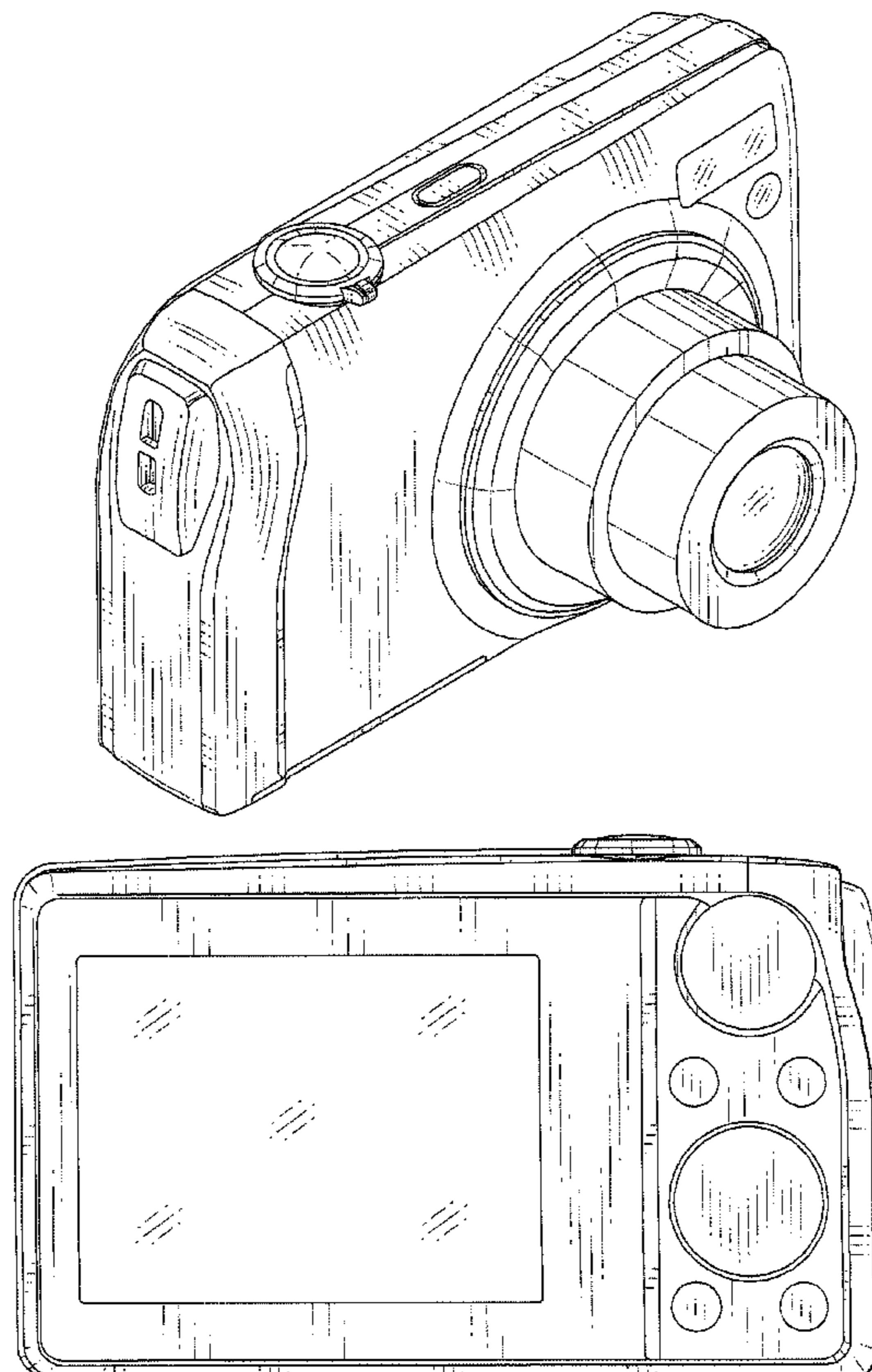


FIG. 1

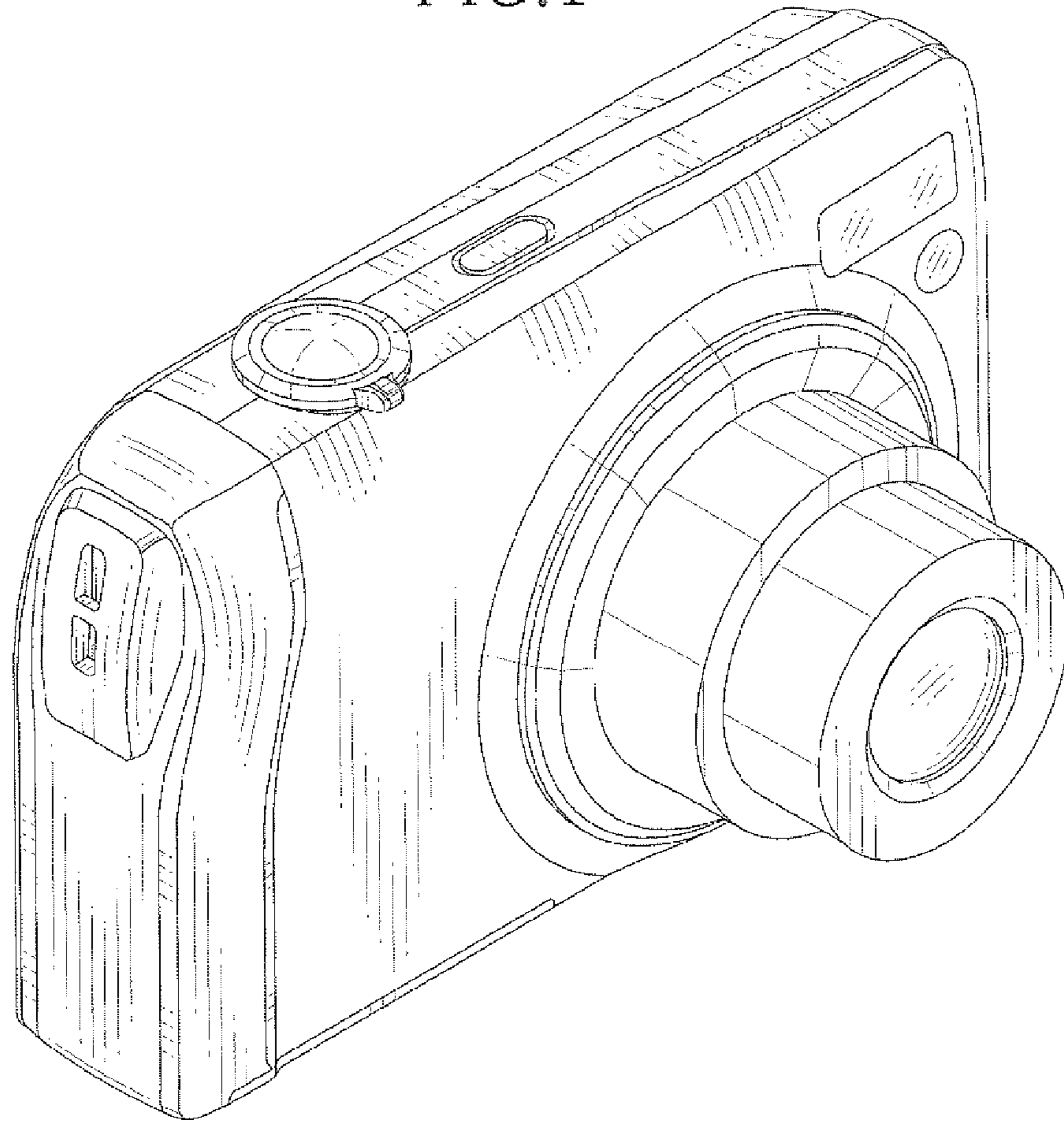


FIG. 2

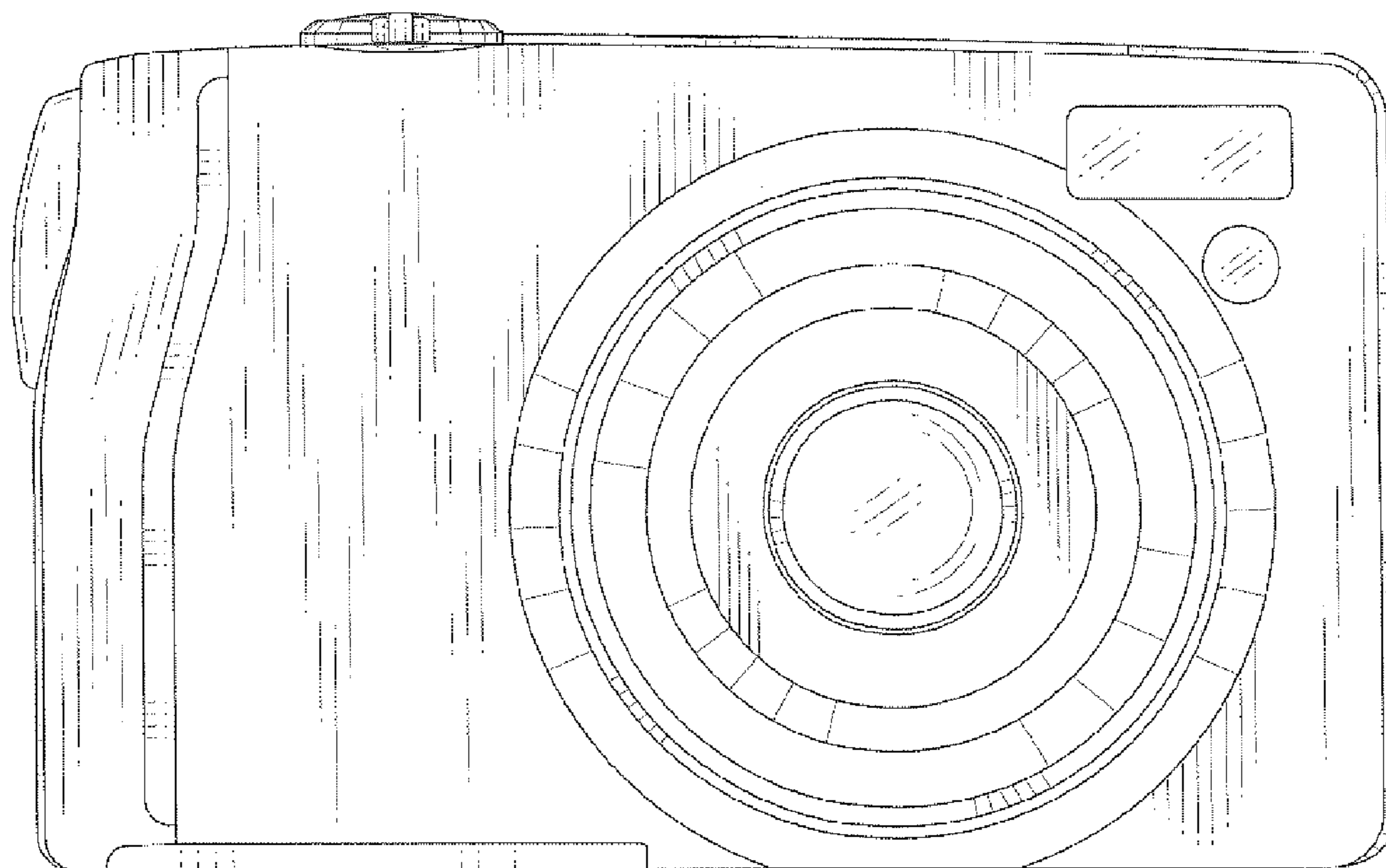


FIG.3

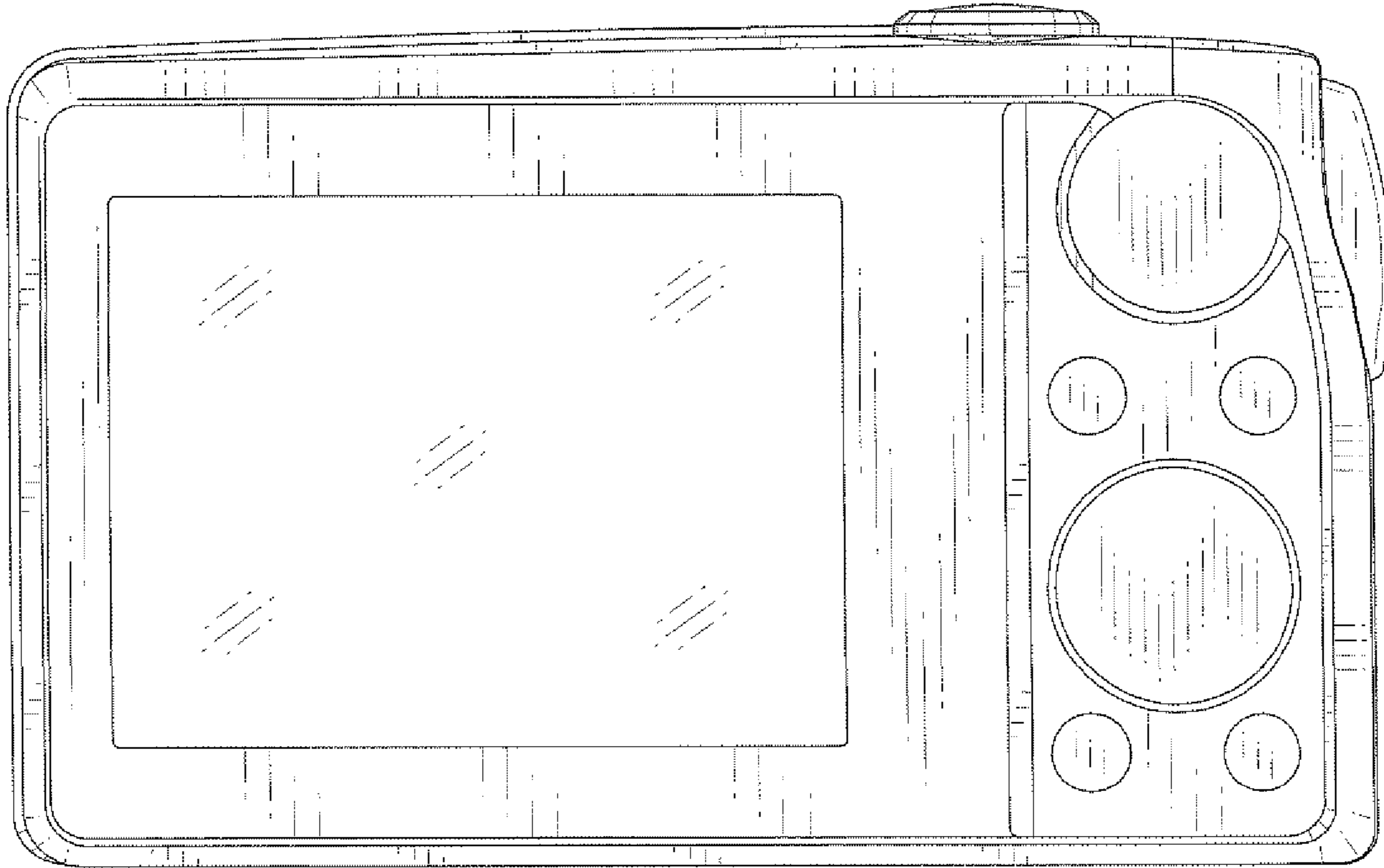


FIG.4

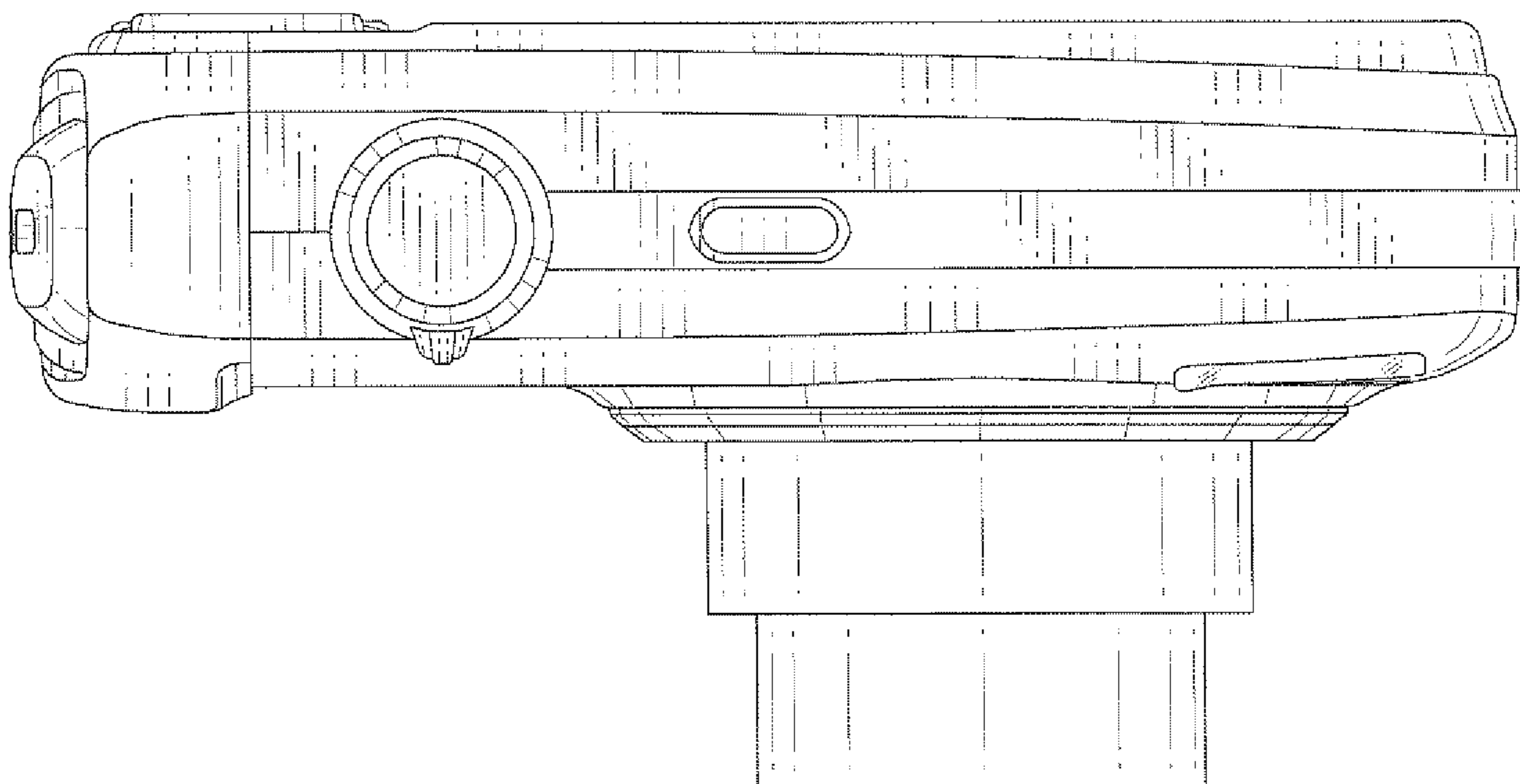


FIG.5

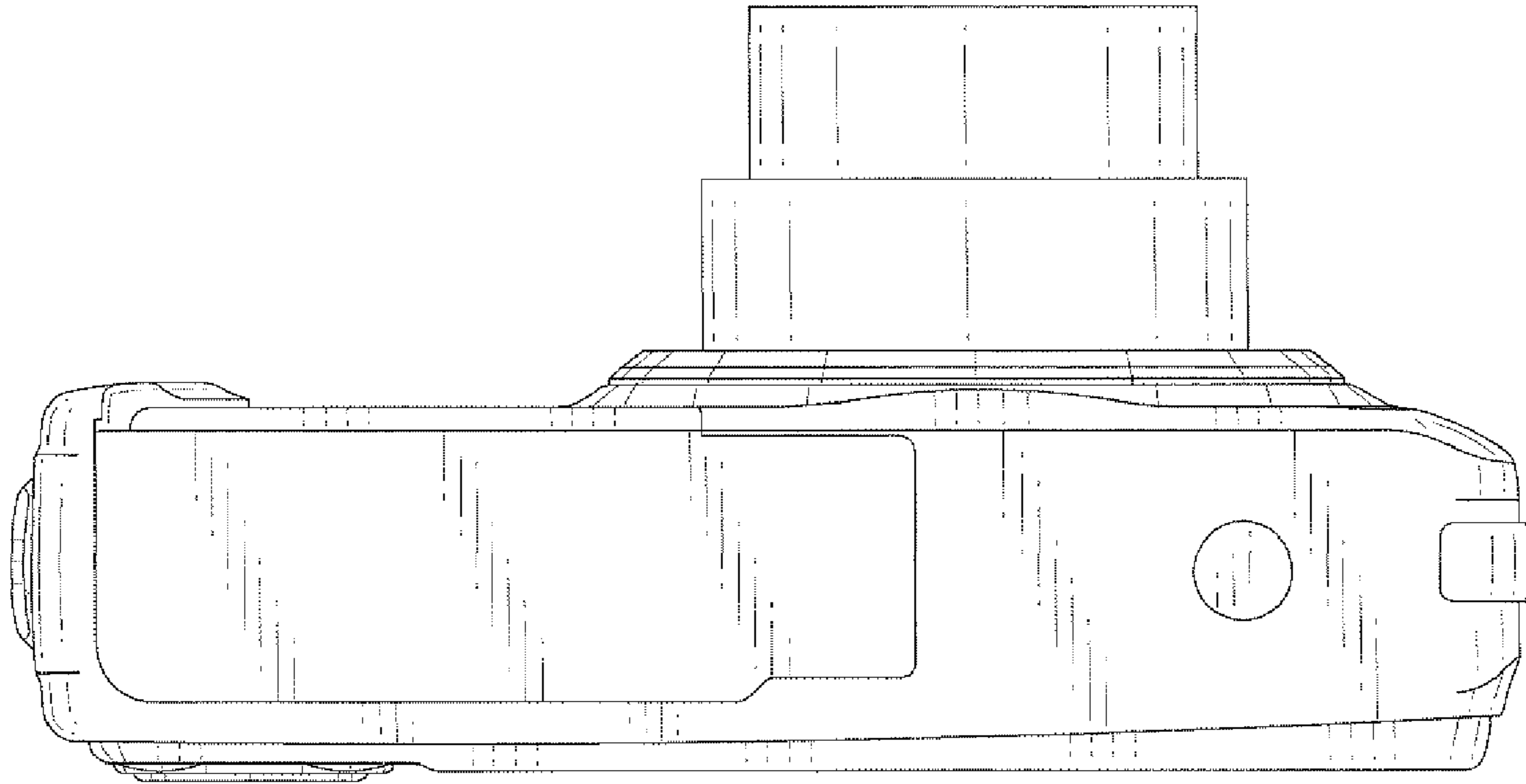


FIG.6

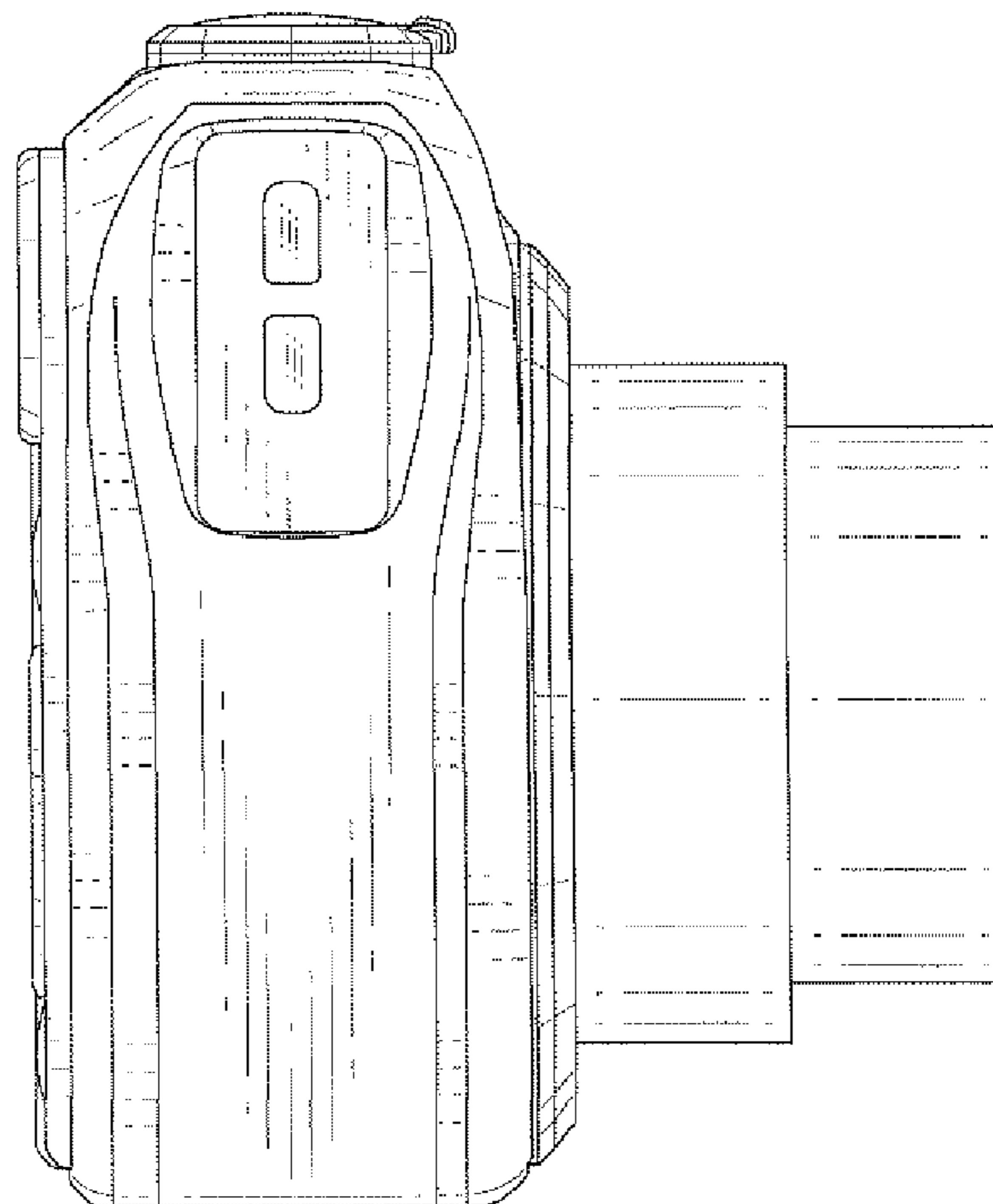


FIG. 7

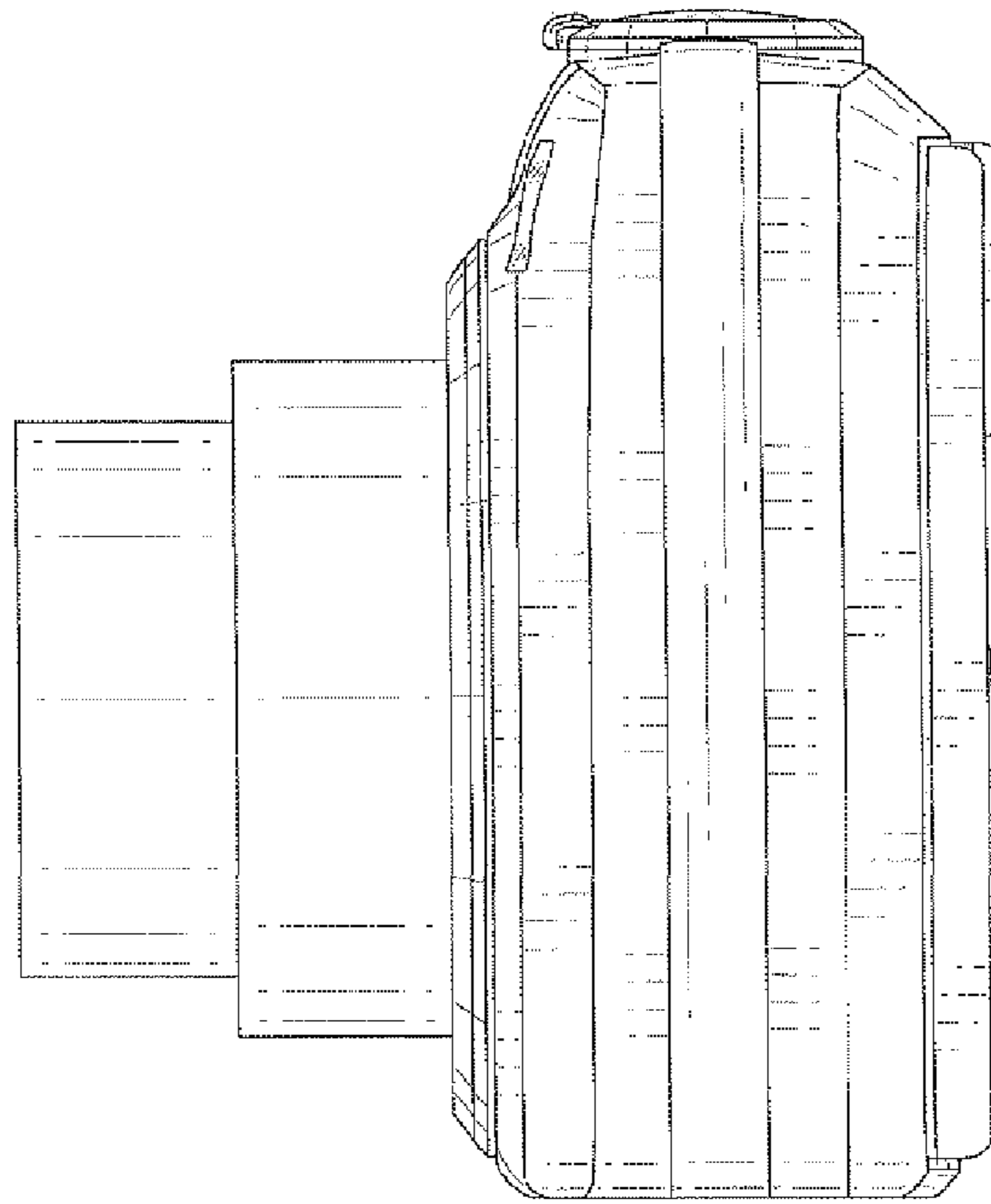


FIG. 8

