



US00D567275S

(12) **United States Design Patent**  
**Hayamizu**

(10) **Patent No.:** **US D567,275 S**  
(45) **Date of Patent:** **\*\* Apr. 22, 2008**

(54) **BINOCULARS**

D551,272 S \* 9/2007 Fujii ..... D16/133

(75) Inventor: **Eiji Hayamizu**, Tokyo (JP)

**FOREIGN PATENT DOCUMENTS**

(73) Assignee: **PENTAX Corporation**, Tokyo (JP)

JP 1048155 S 9/1999  
JP 1170867 S 4/2003  
JP 1192533 S 12/2003

(\*\*) Term: **14 Years**

\* cited by examiner

(21) Appl. No.: **29/279,830**

*Primary Examiner*—Paula A Greene

(22) Filed: **May 8, 2007**

(74) *Attorney, Agent, or Firm*—Sughrue Mion, PLLC

(30) **Foreign Application Priority Data**

(57) **CLAIM**

Nov. 20, 2006 (JP) ..... 2006-031665

The ornamental design for binoculars, as shown.

(51) **LOC (8) Cl.** ..... **16-01**

**DESCRIPTION**

(52) **U.S. Cl.** ..... **D16/133**

FIG. 1 is a perspective view of the top, front and right side of binoculars showing my new design;

(58) **Field of Classification Search** ..... D16/133,

D16/130, 132; 359/410-419

FIG. 2 is a front elevational view thereof;

See application file for complete search history.

FIG. 3 is a rear elevational view thereof;

(56) **References Cited**

FIG. 4 is a left side elevational view thereof;

**U.S. PATENT DOCUMENTS**

FIG. 5 is a right side elevational view thereof;

D472,257 S \* 3/2003 Fujii ..... D16/133

FIG. 6 is a top plan view thereof; and,

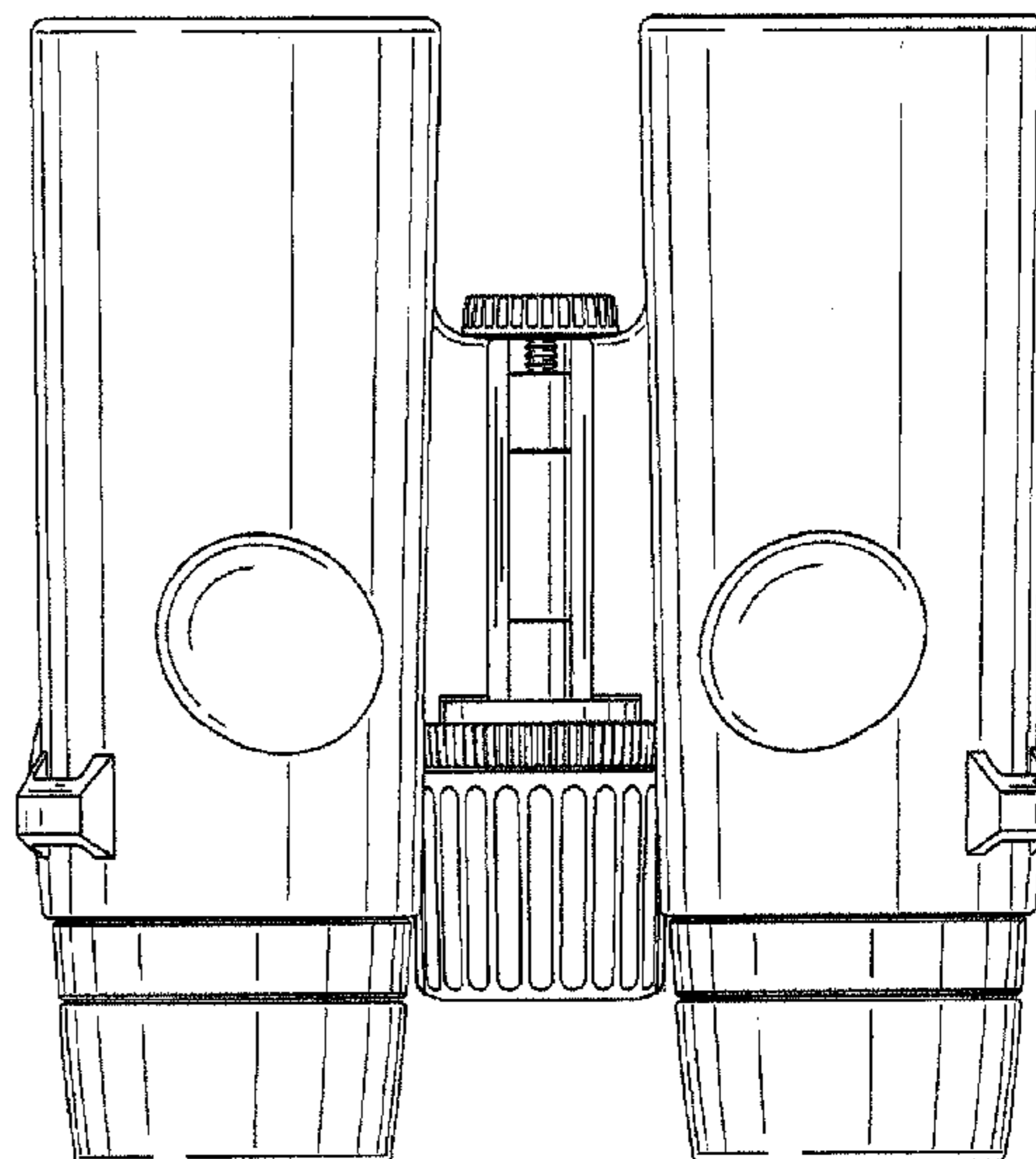
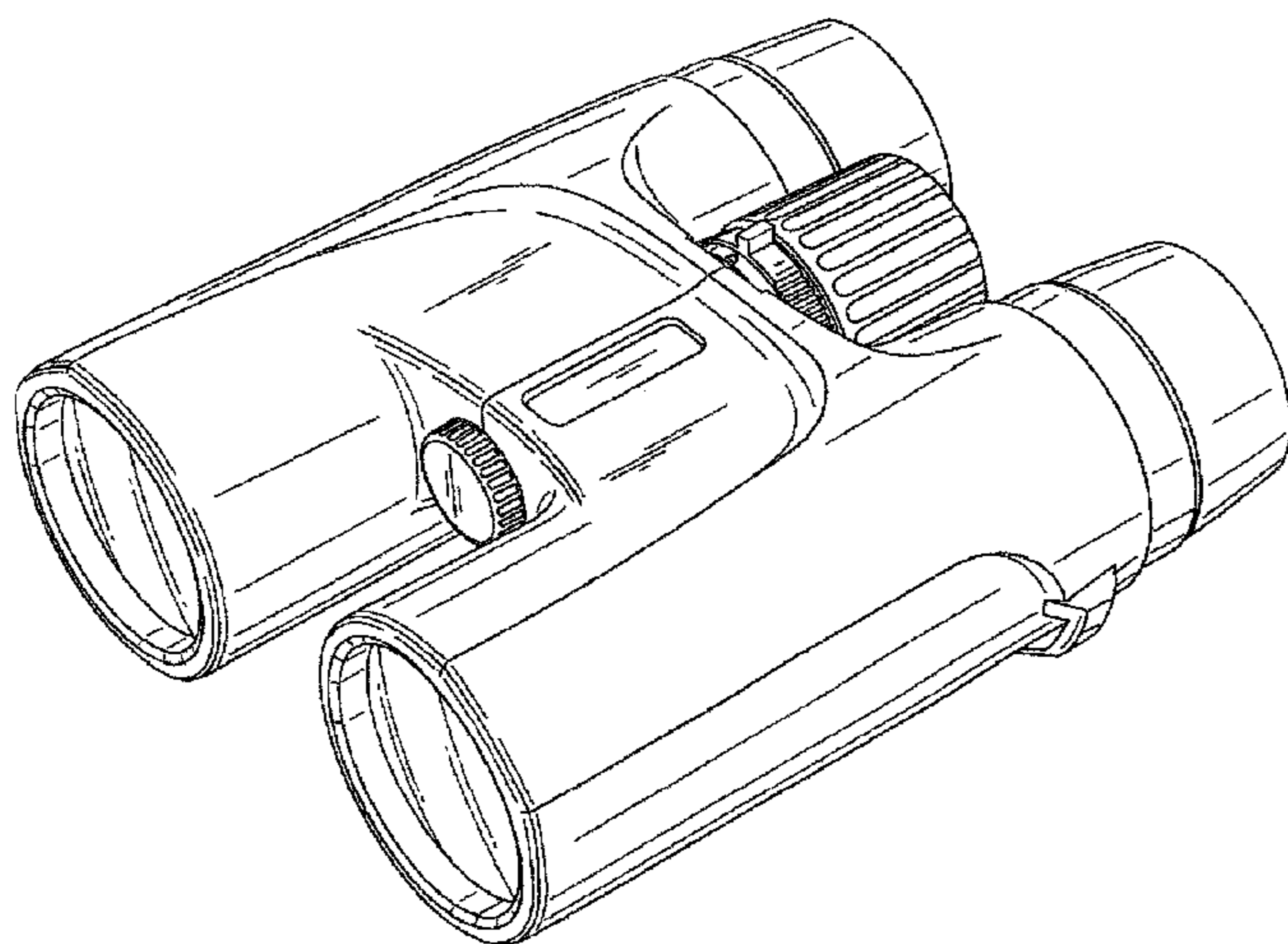
D486,507 S \* 2/2004 Fujii ..... D16/133

FIG. 7 is a bottom plan view thereof.

D503,730 S \* 4/2005 Hamamura ..... D16/133

D507,289 S \* 7/2005 Meinzer ..... D16/133

**1 Claim, 5 Drawing Sheets**



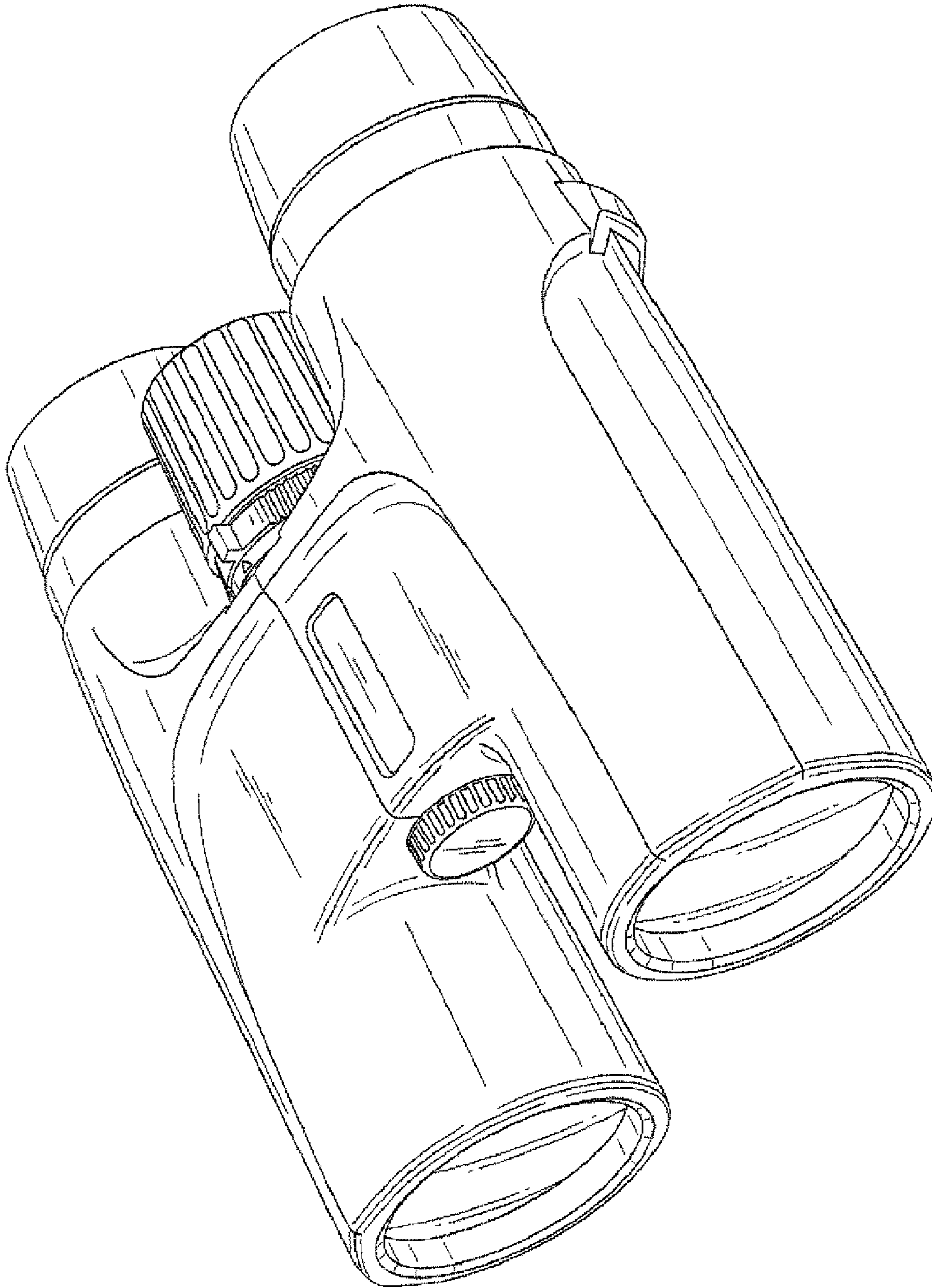
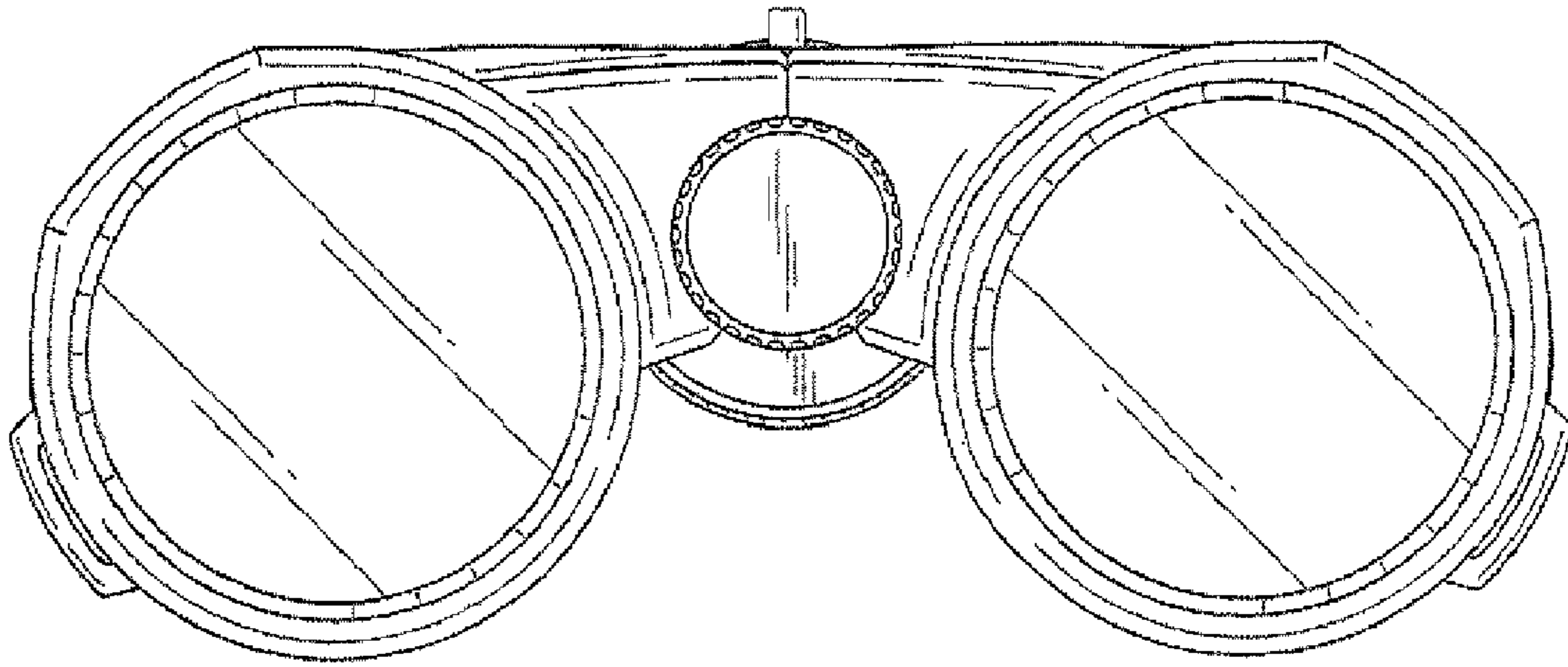
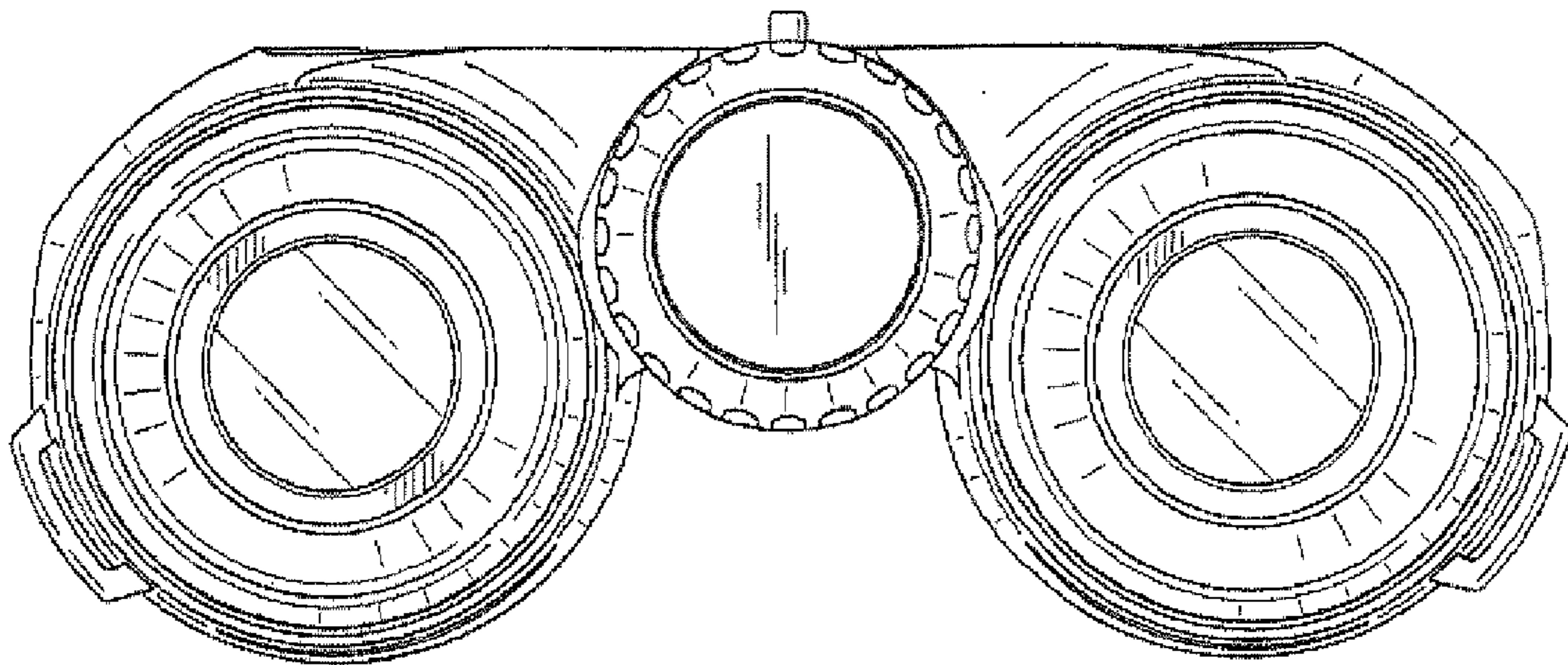


FIG. 1



*FIG. 2*



*FIG. 3*

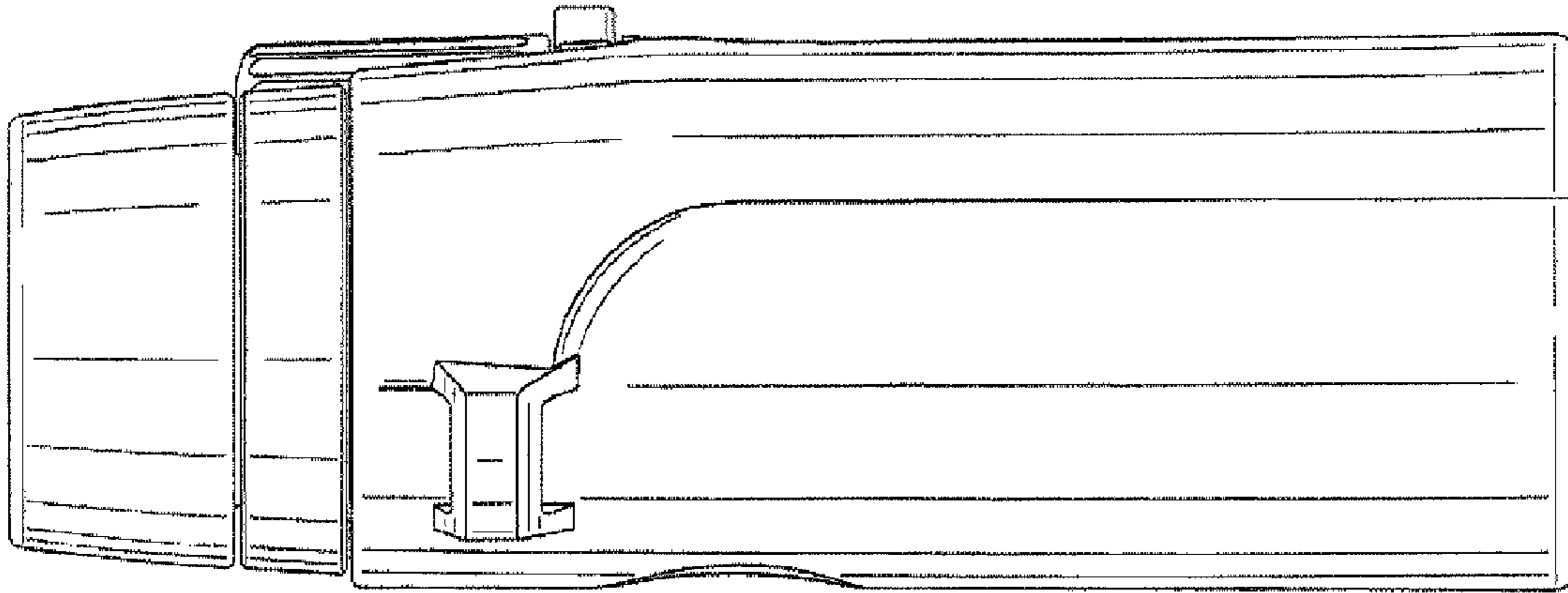


FIG. 4

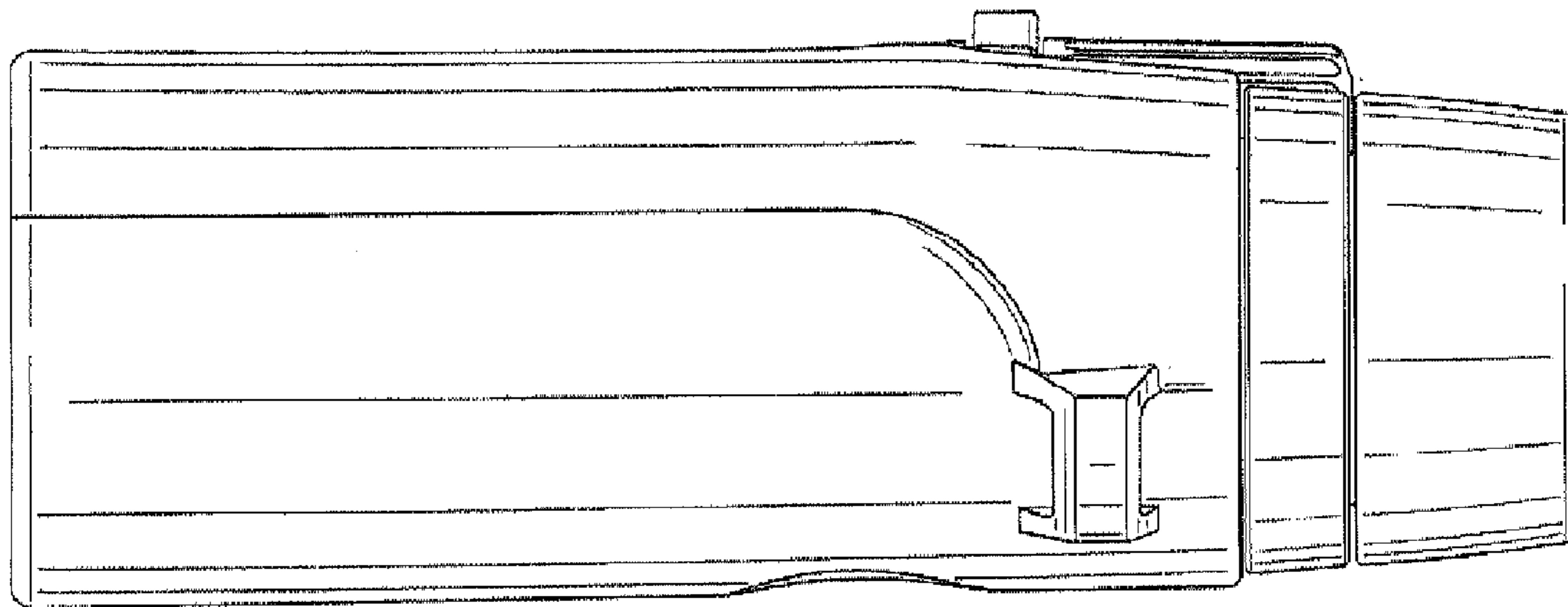


FIG. 5

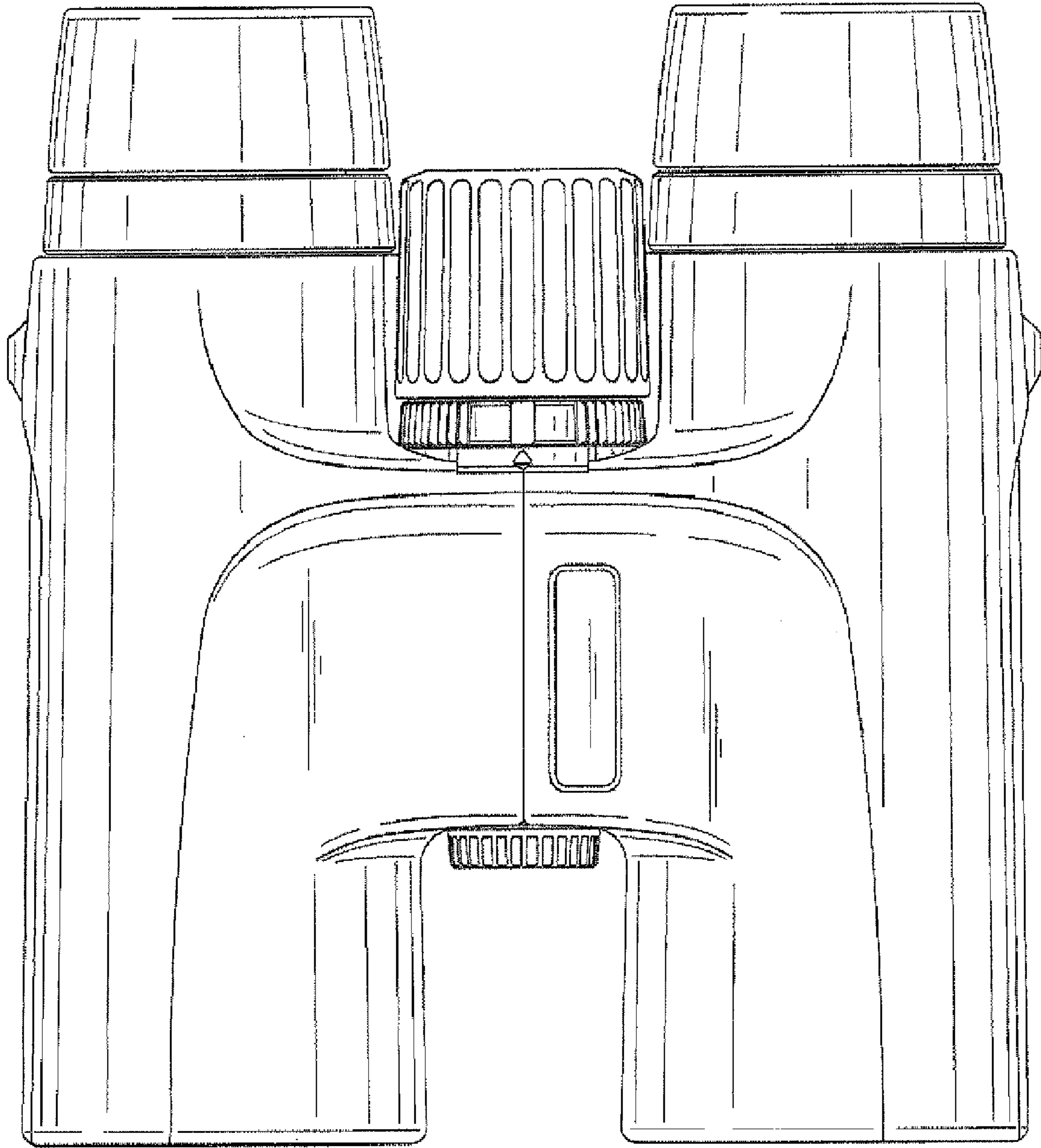


FIG. 6

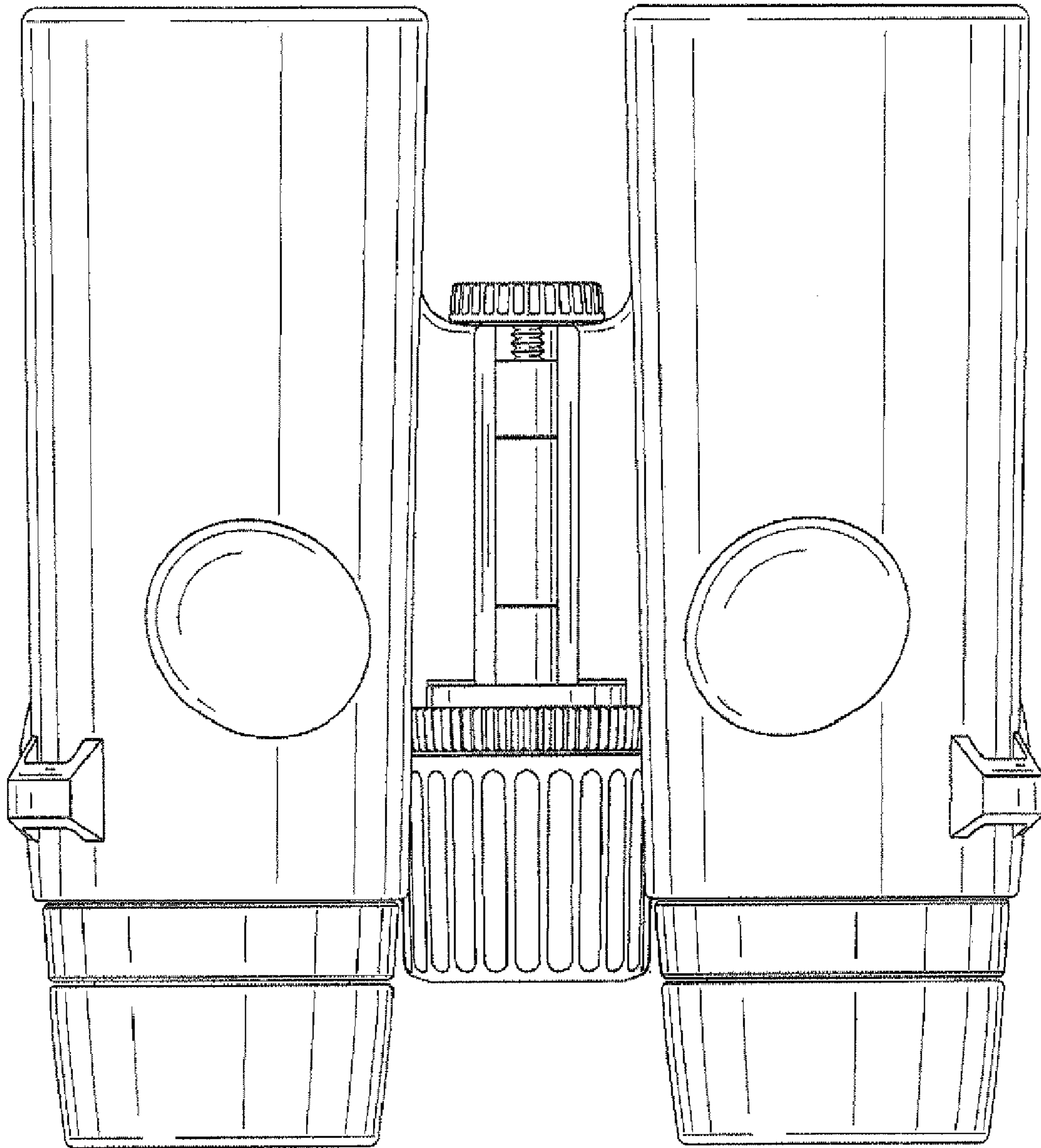


FIG. 7