



US00D567274S

(12) **United States Design Patent**
Zhou

(10) **Patent No.:** **US D567,274 S**
(45) **Date of Patent:** **** Apr. 22, 2008**

(54) **BINOCULARS**

(76) Inventor: **Liangcheng Zhou**, No. 3 Changhong
Donglu, Zhangcha twon, Foshan City,
Guangdong Province (CN) 528000

(**) Term: **14 Years**

(21) Appl. No.: **29/261,074**

(22) Filed: **Jun. 7, 2006**

(30) **Foreign Application Priority Data**

Jan. 6, 2006 (CN) 2006 3 0000318

(51) **LOC (8) Cl.** **16-06**

(52) **U.S. Cl.** **D16/133**

(58) **Field of Classification Search** D16/130,
D16/132, 133; 359/407, 408, 409, 410, 411,
359/412, 413, 414, 415, 416, 417, 418, 419,
359/420, 399, 431, 425; 396/383

See application file for complete search history.

(56) **References Cited**

U.S. PATENT DOCUMENTS

D184,881 S *	4/1959	Maguire	D16/133
D198,590 S *	7/1964	Maguire	D16/133
3,540,792 A *	11/1970	Akin, Jr.	359/414
3,572,887 A *	3/1971	Leitzsch	359/431
3,604,779 A *	9/1971	Reinhold	359/415
D222,563 S *	11/1971	Maguire	D16/133
4,583,828 A *	4/1986	Kimura	359/414
4,818,086 A *	4/1989	Moore	359/414
D320,026 S *	9/1991	Lee	D16/133
D332,106 S *	12/1992	Hengst et al.	D16/133
D395,055 S *	6/1998	Lee	D16/133
D440,584 S *	4/2001	Lee	D16/133
D521,037 S *	5/2006	Swift et al.	D16/133

* cited by examiner

Primary Examiner—Paula A. Greene

(74) *Attorney, Agent, or Firm*—Steven M. Koehler;
Westman, Champlin & Kelly, P.A.

(57) **CLAIM**

The ornamental design for a binoculars, as shown and described.

DESCRIPTION

FIG. 1 is a perspective view of binoculars of the present invention;

FIG. 2 is a front elevational view of the binoculars of the FIG. 1;

FIG. 3 is a rear elevational view of the binoculars of FIG. 1;

FIG. 4 is a top plan view of the binoculars of FIG. 1;

FIG. 5 is a bottom plan view of the binoculars of FIG. 1;

FIG. 6 is a right side view of the binoculars of FIG. 1;

FIG. 7 is a left side view of the binoculars of FIG. 1;

FIG. 8 is a perspective view of a second embodiment of binoculars of the present invention;

FIG. 9 is a front elevational view of the binoculars of the FIG. 8;

FIG. 10 is a rear elevational view of the binoculars of FIG. 8;

FIG. 11 is a top plan view of the binoculars of FIG. 8;

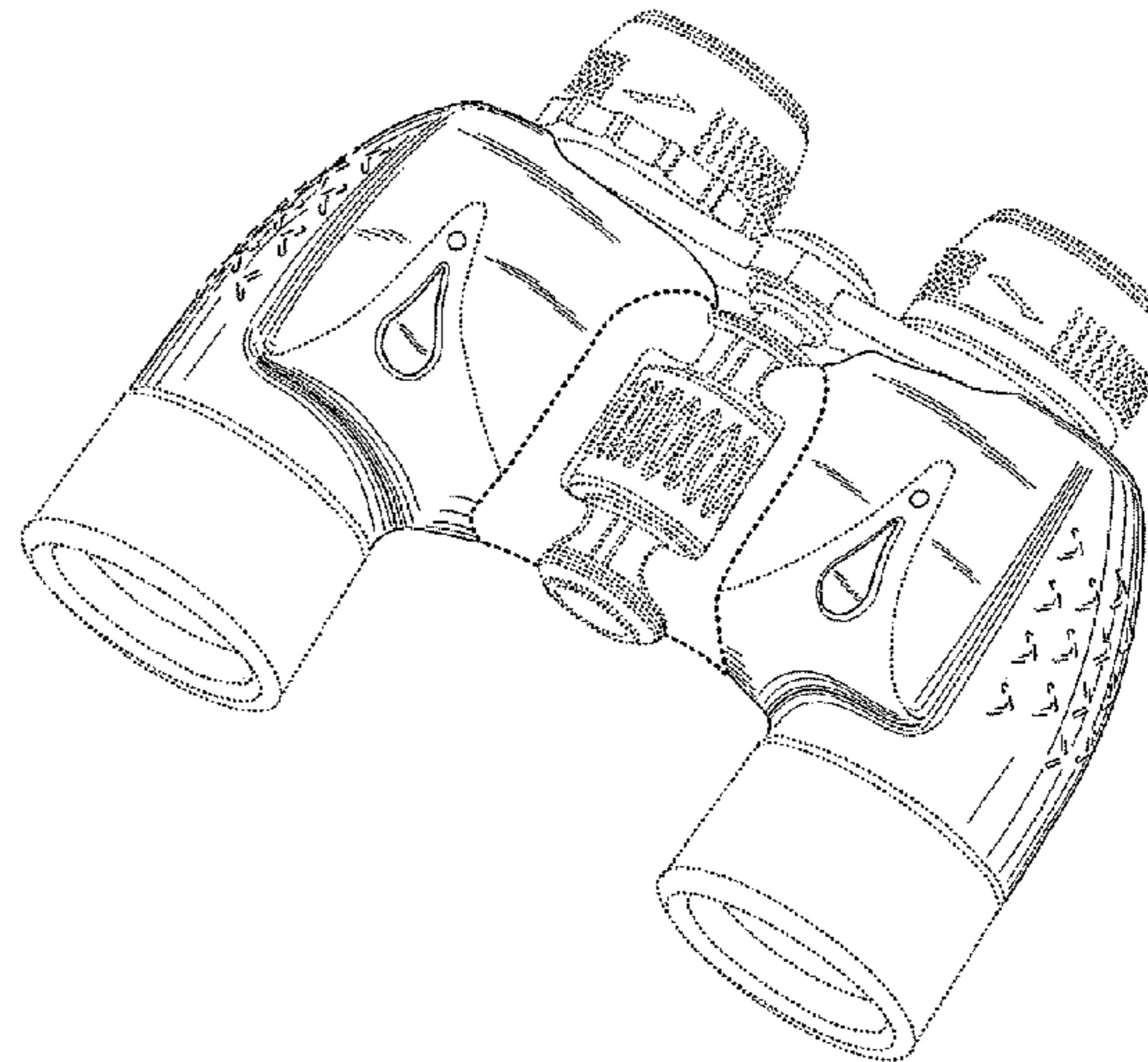
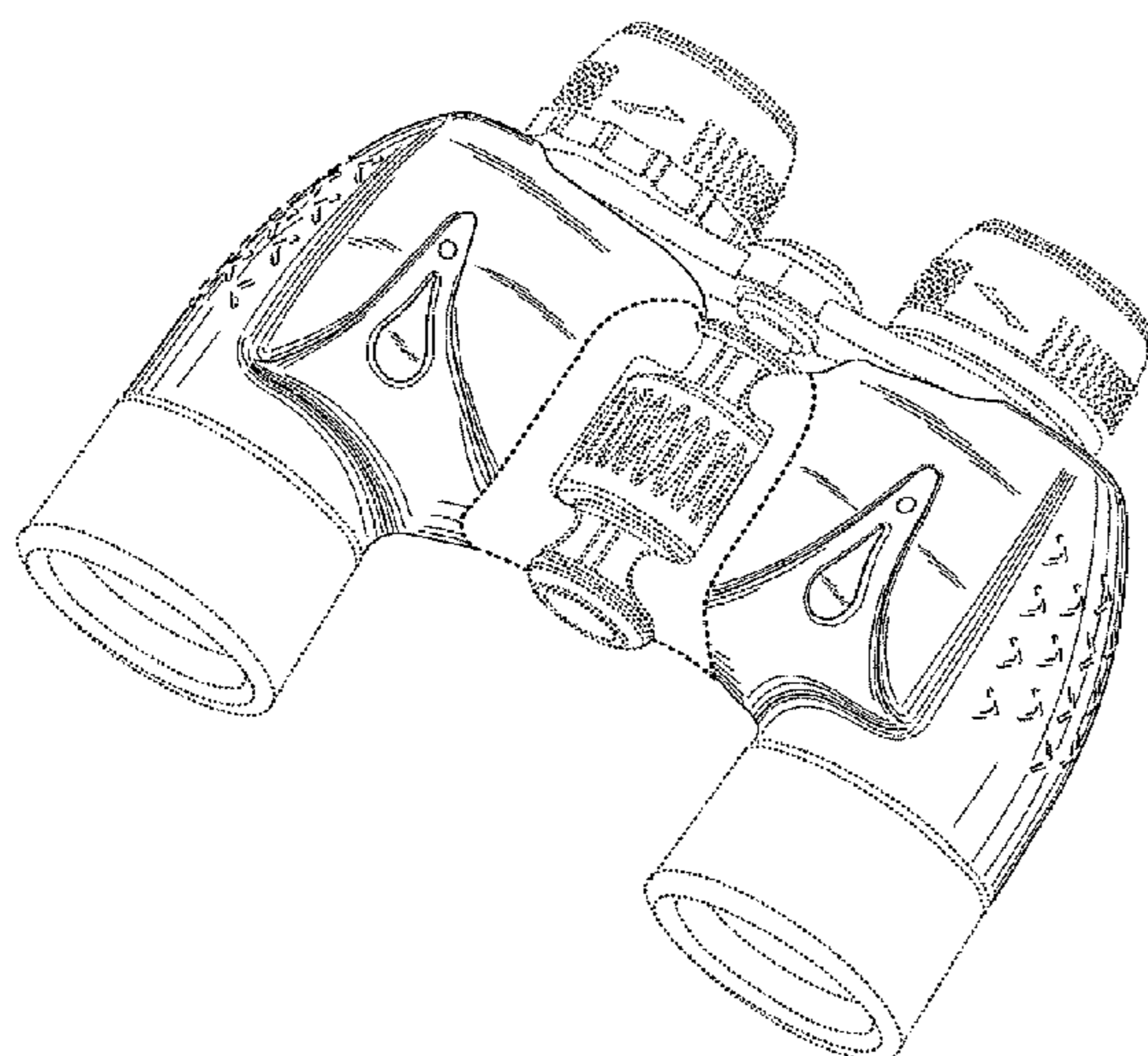
FIG. 12 is a bottom plan view of the binoculars of FIG. 8;

FIG. 13 is a right side view of the binoculars of FIG. 8; and,

FIG. 14 is a left side view of the binoculars of FIG. 8.

The broken line(s) immediately adjacent the shaded areas represent the bounds of the claimed design while all other broken lines are directed to environment and are for illustrative purposes only, the broken lines form no part of the claimed design.

1 Claim, 14 Drawing Sheets



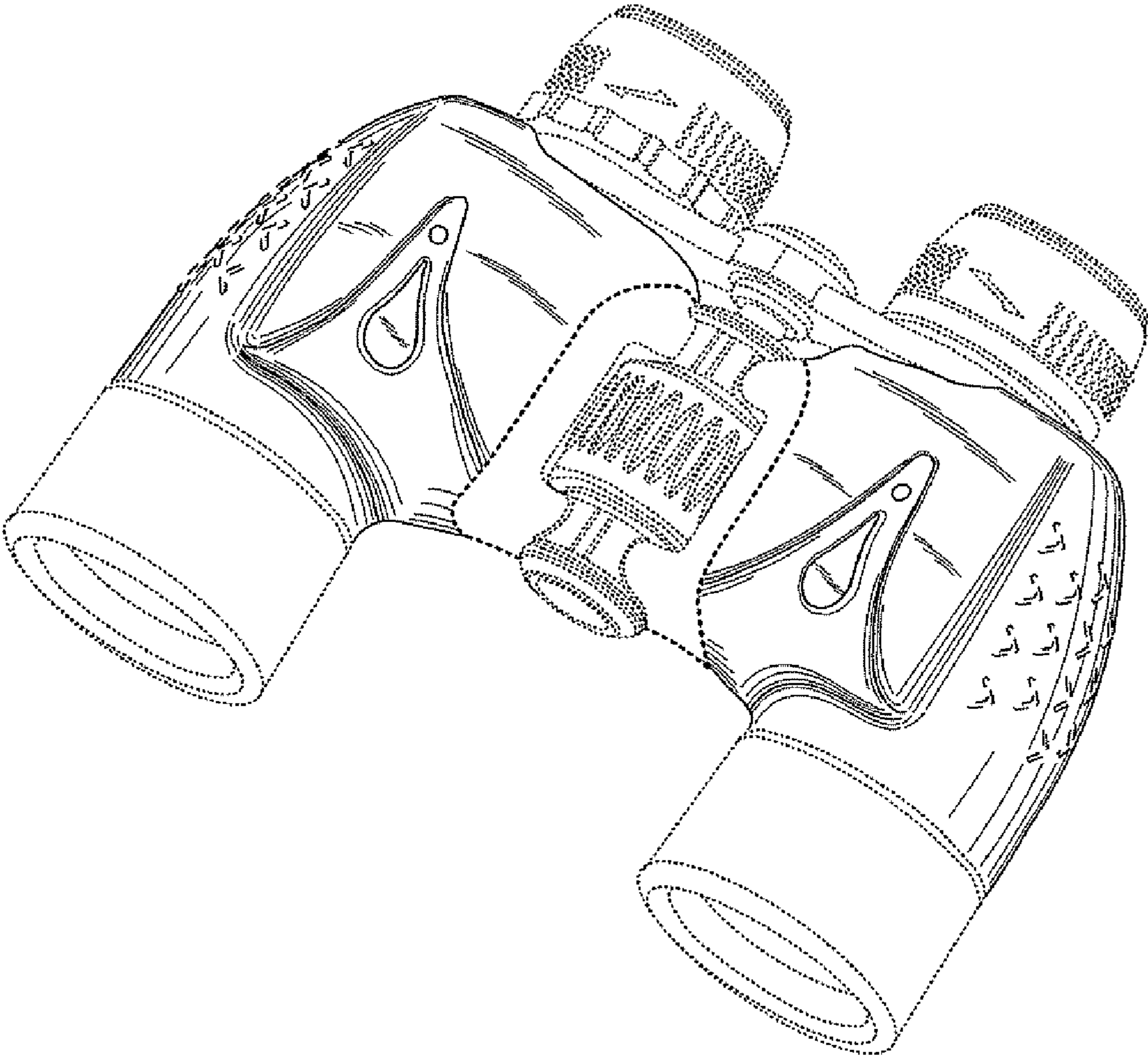


FIG. 1

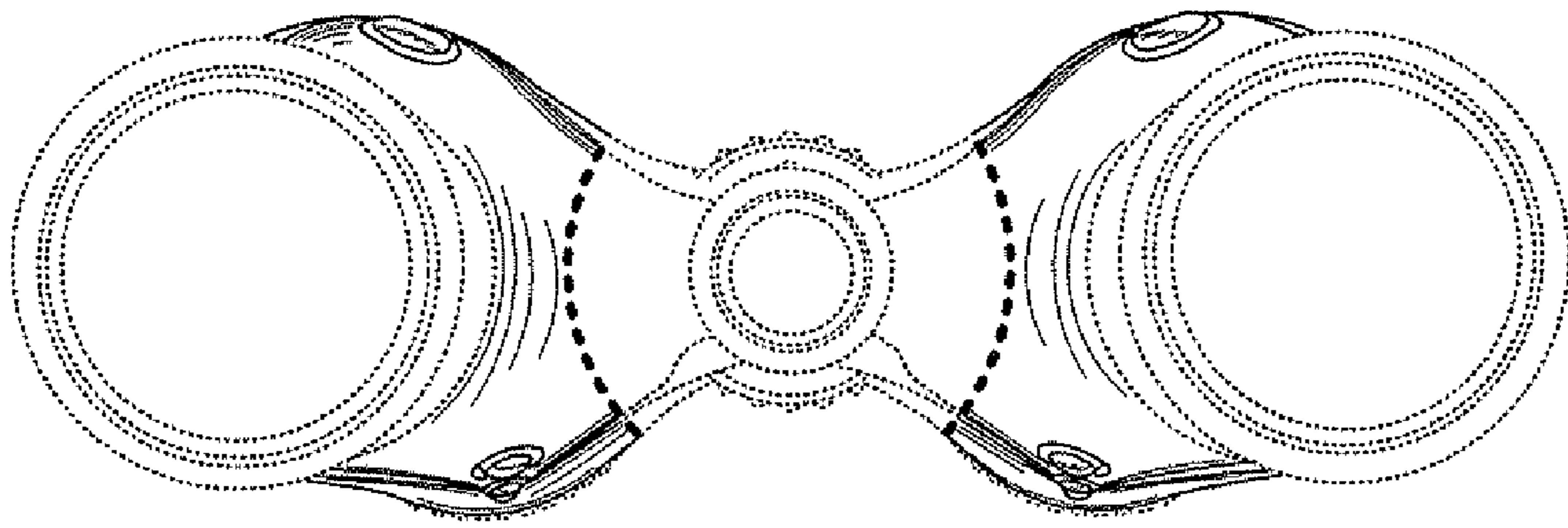


FIG. 2

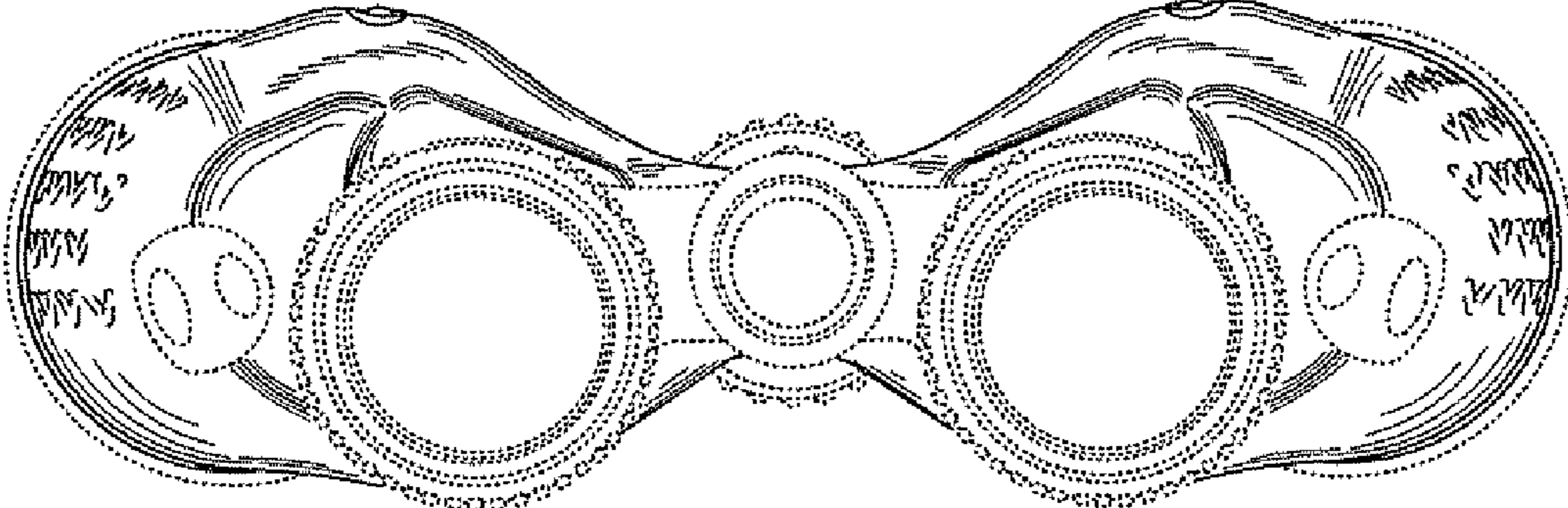


FIG. 3

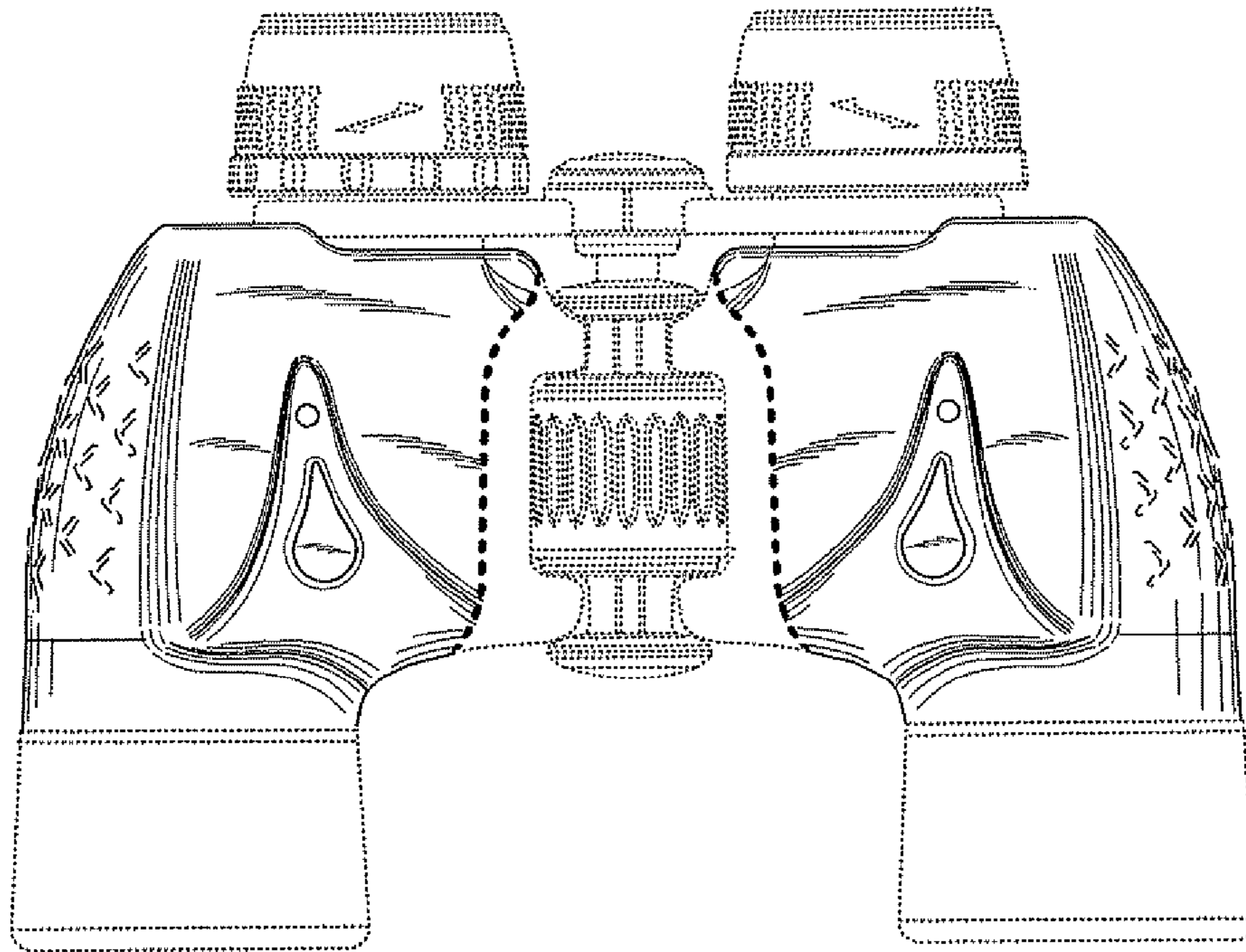


FIG. 4

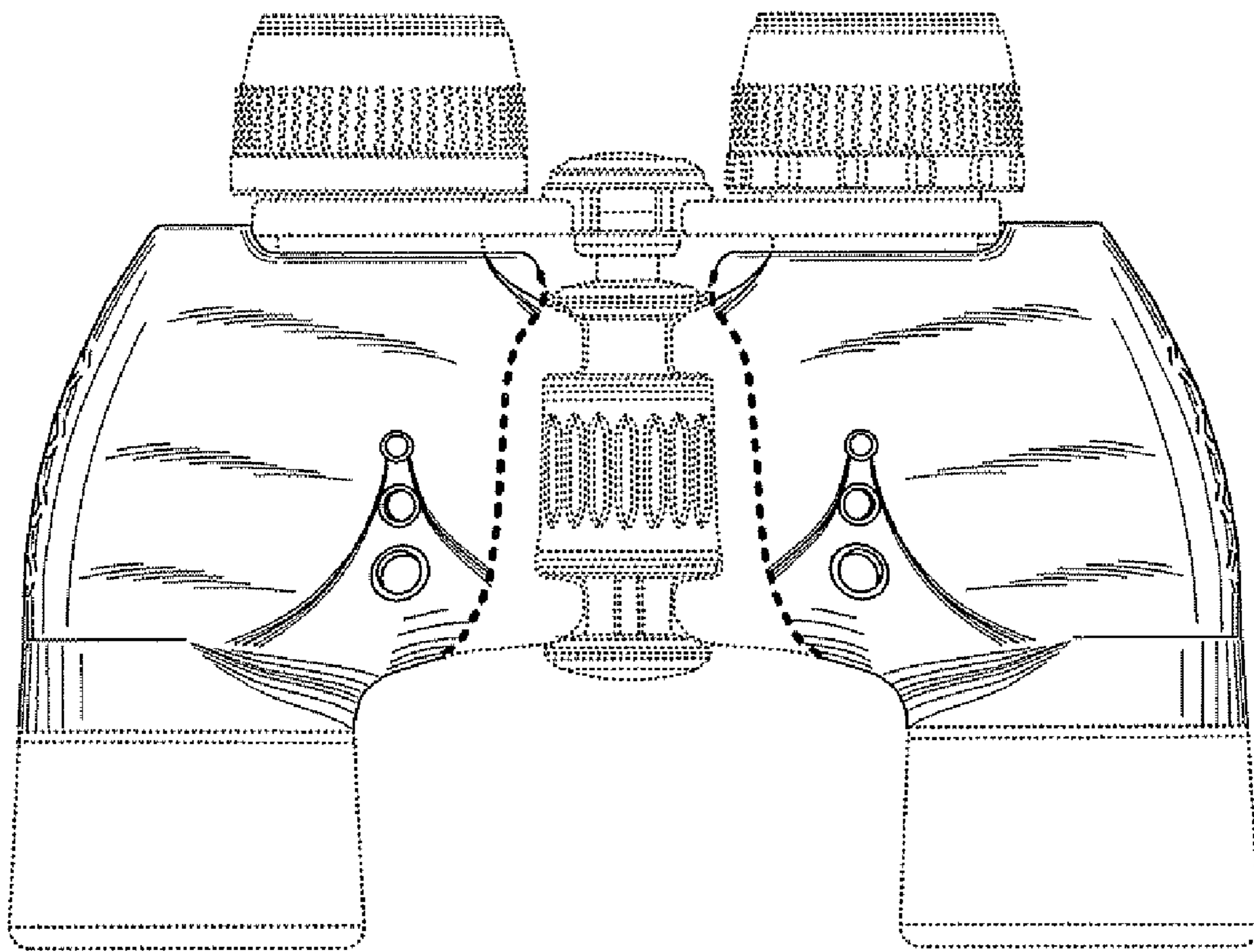


FIG. 5

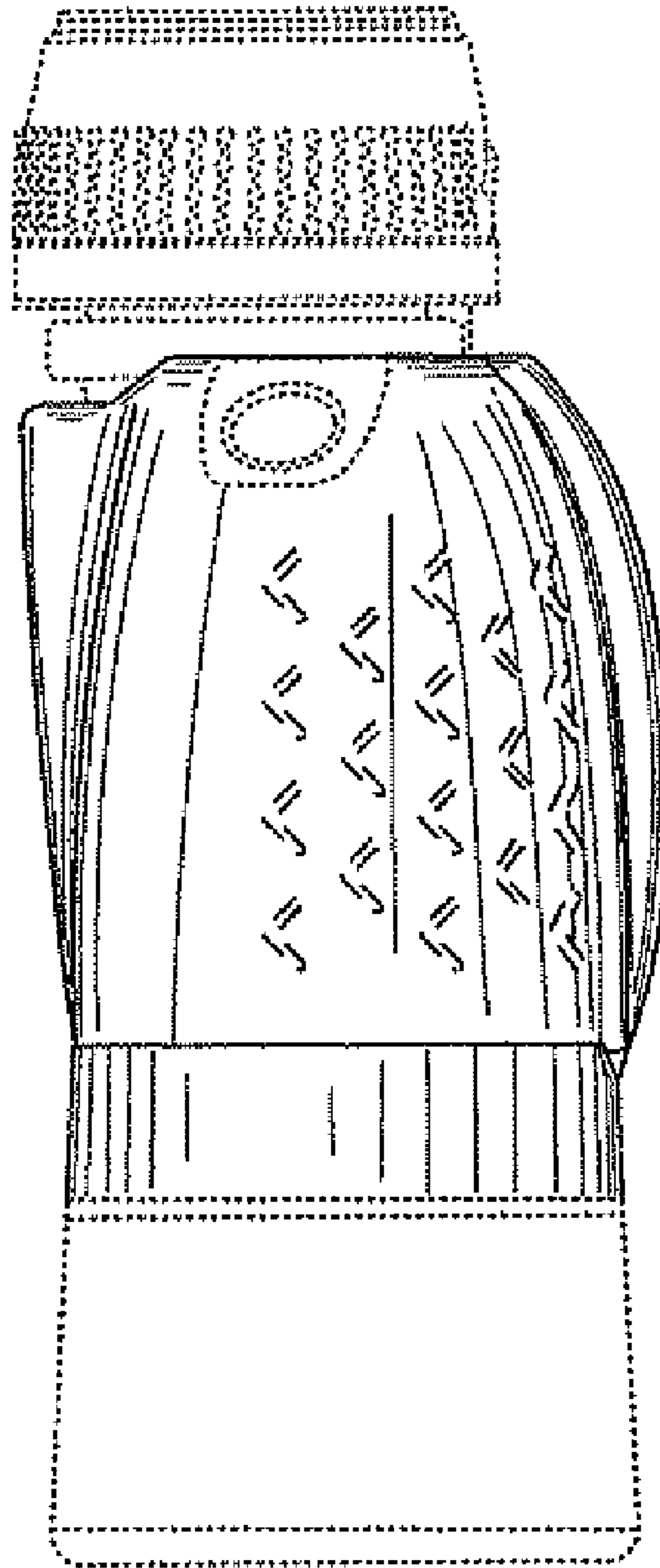


FIG. 6

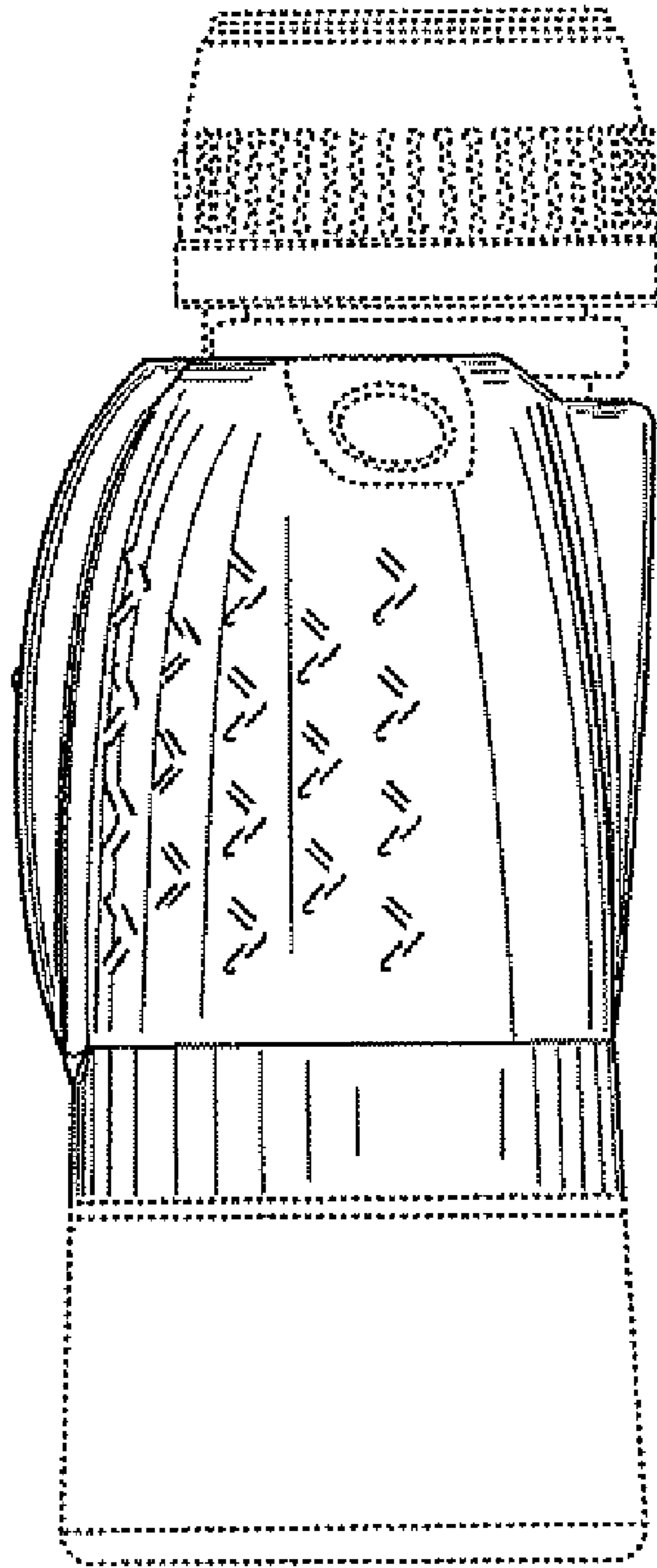


FIG. 7

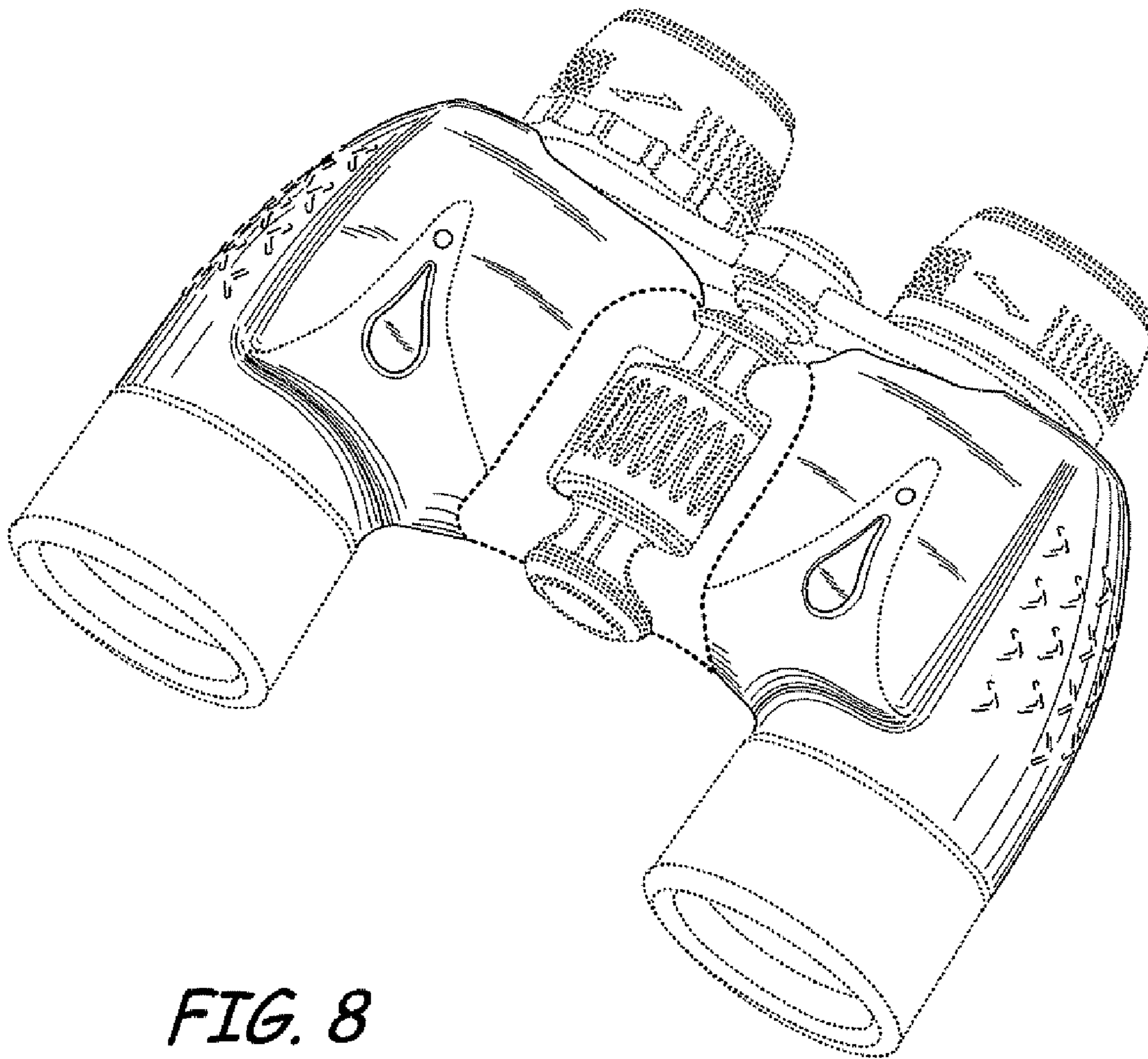


FIG. 8

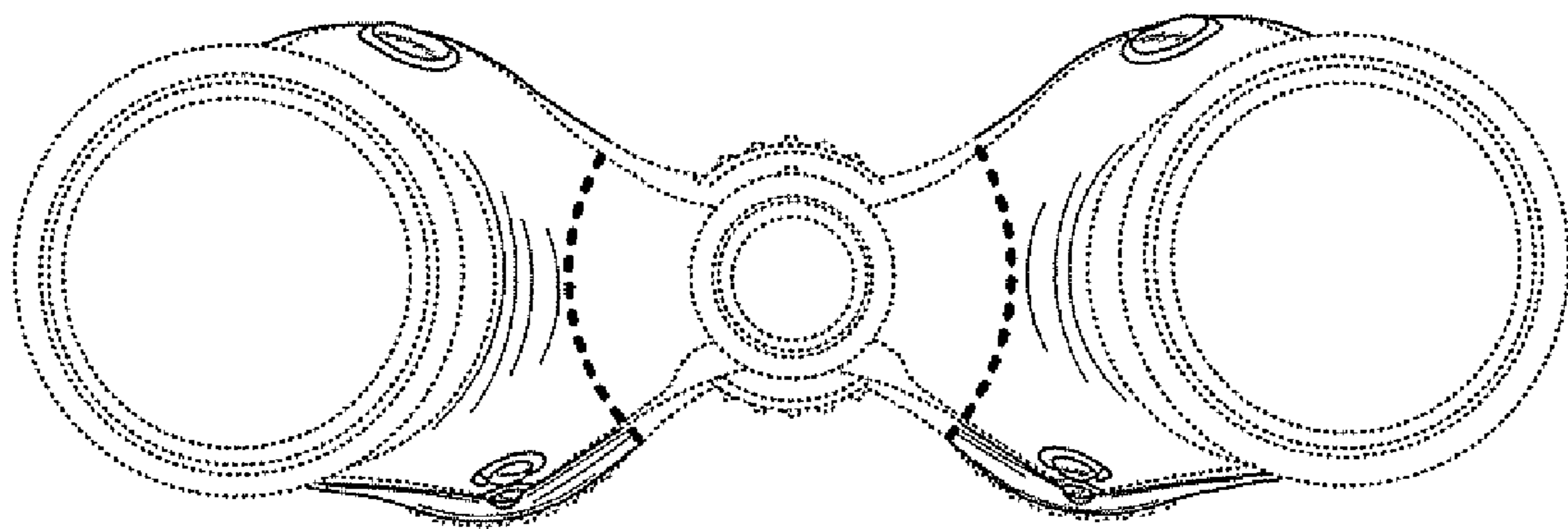


FIG. 9

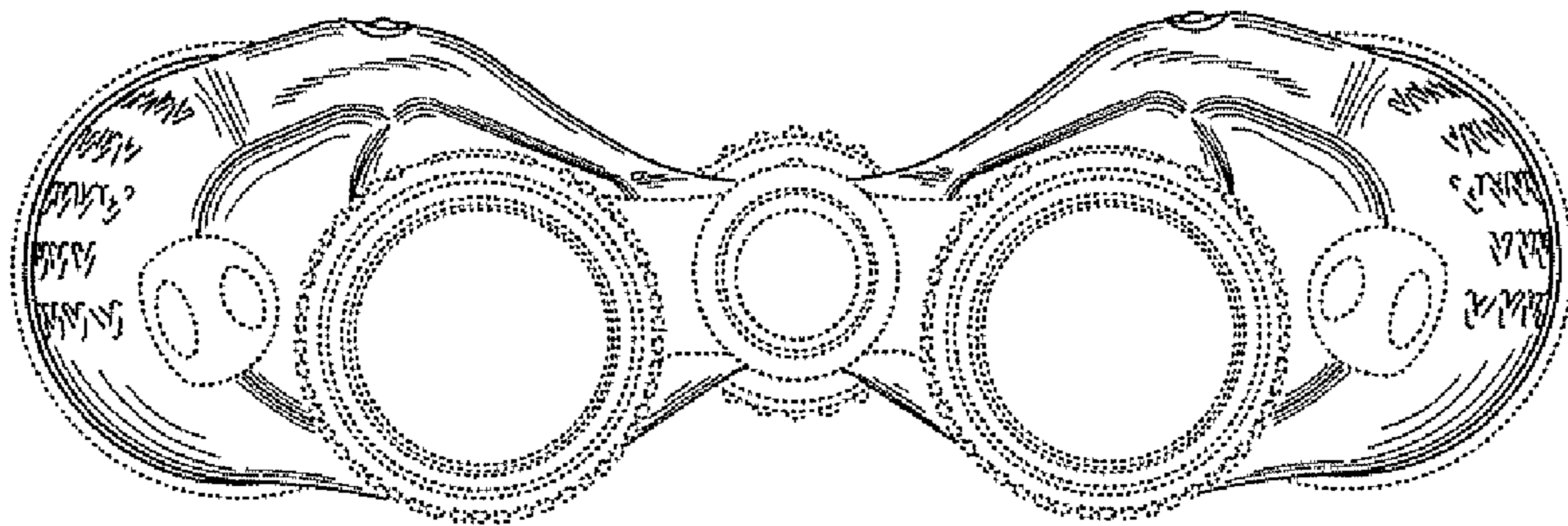


FIG. 10

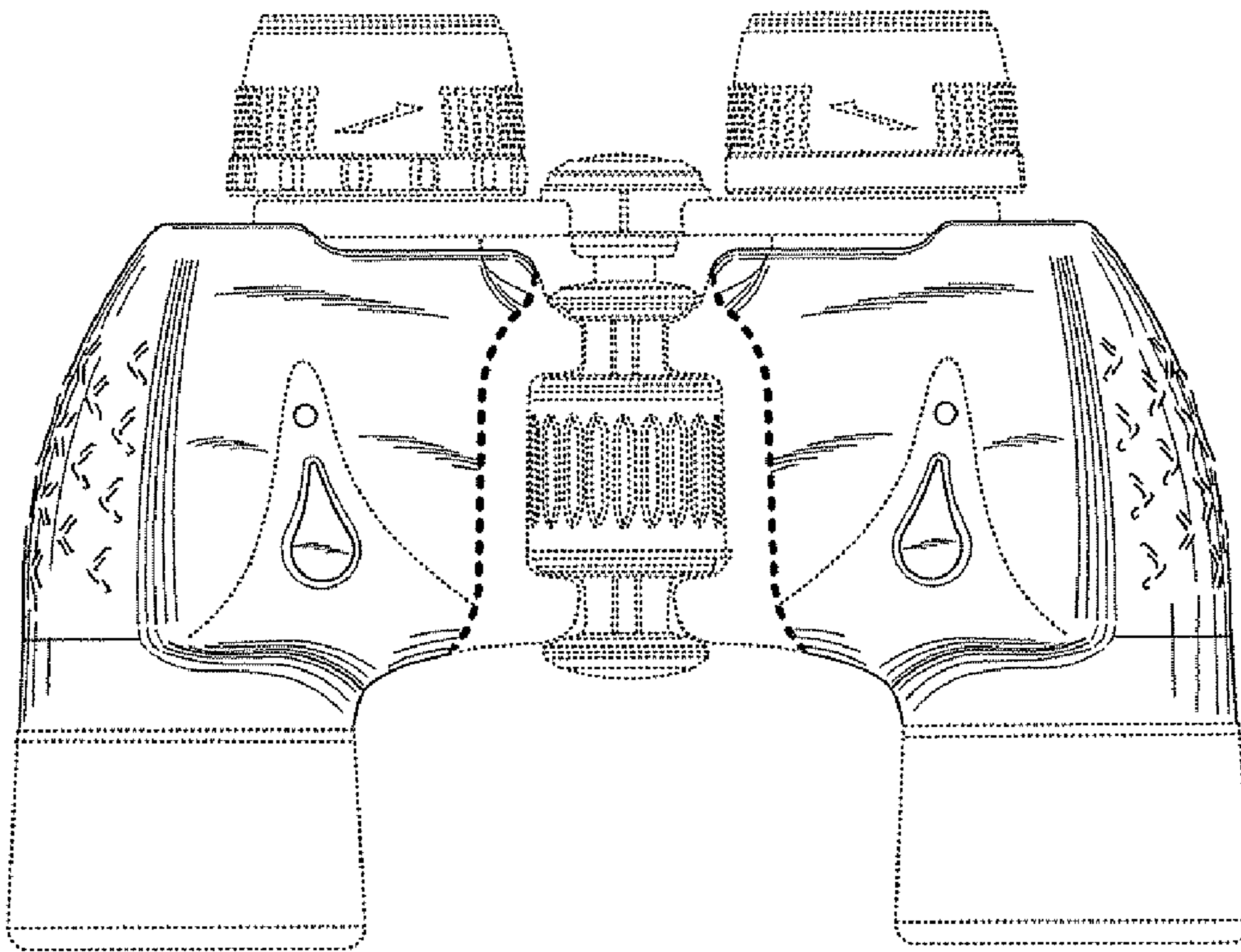


FIG. 11

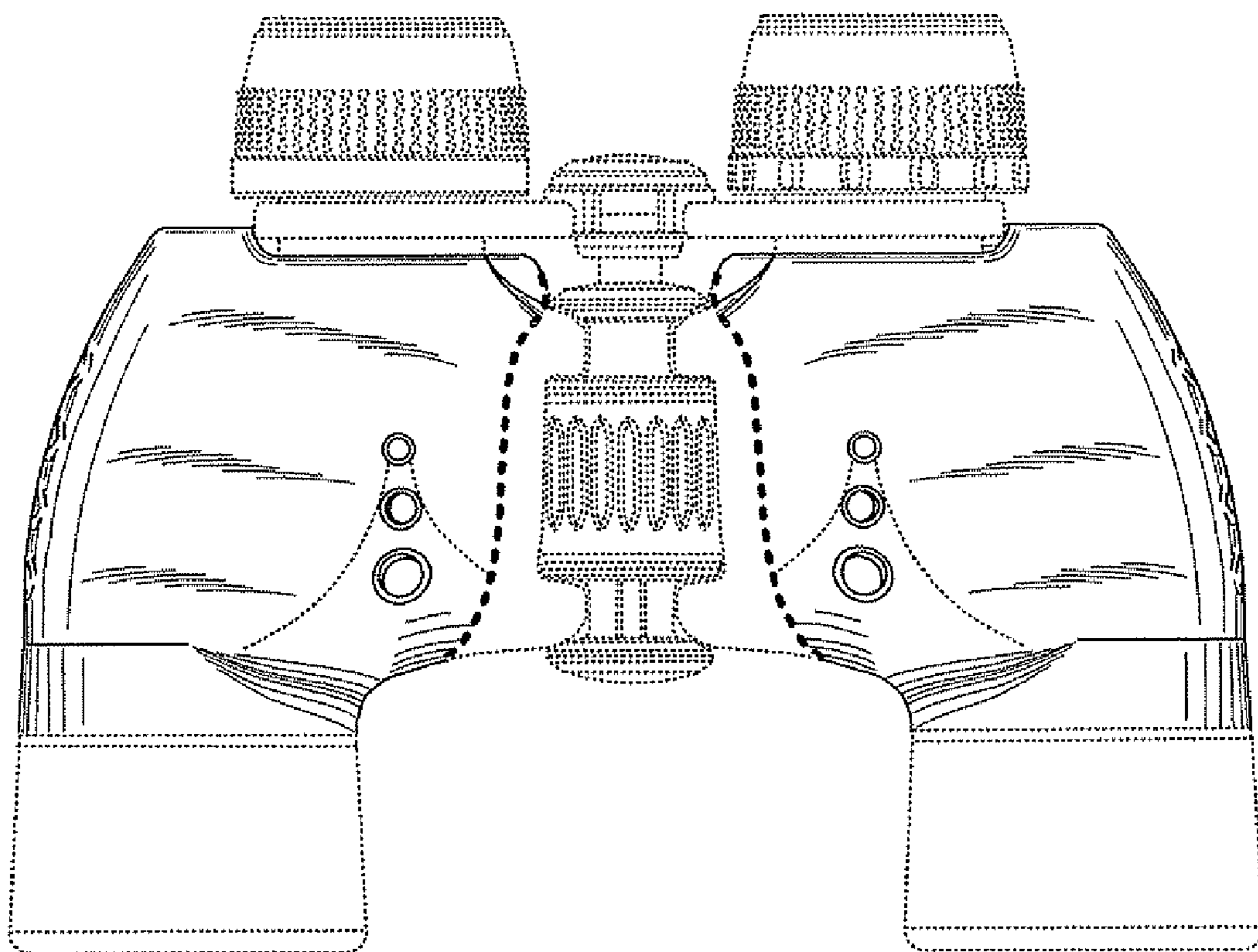


FIG. 12

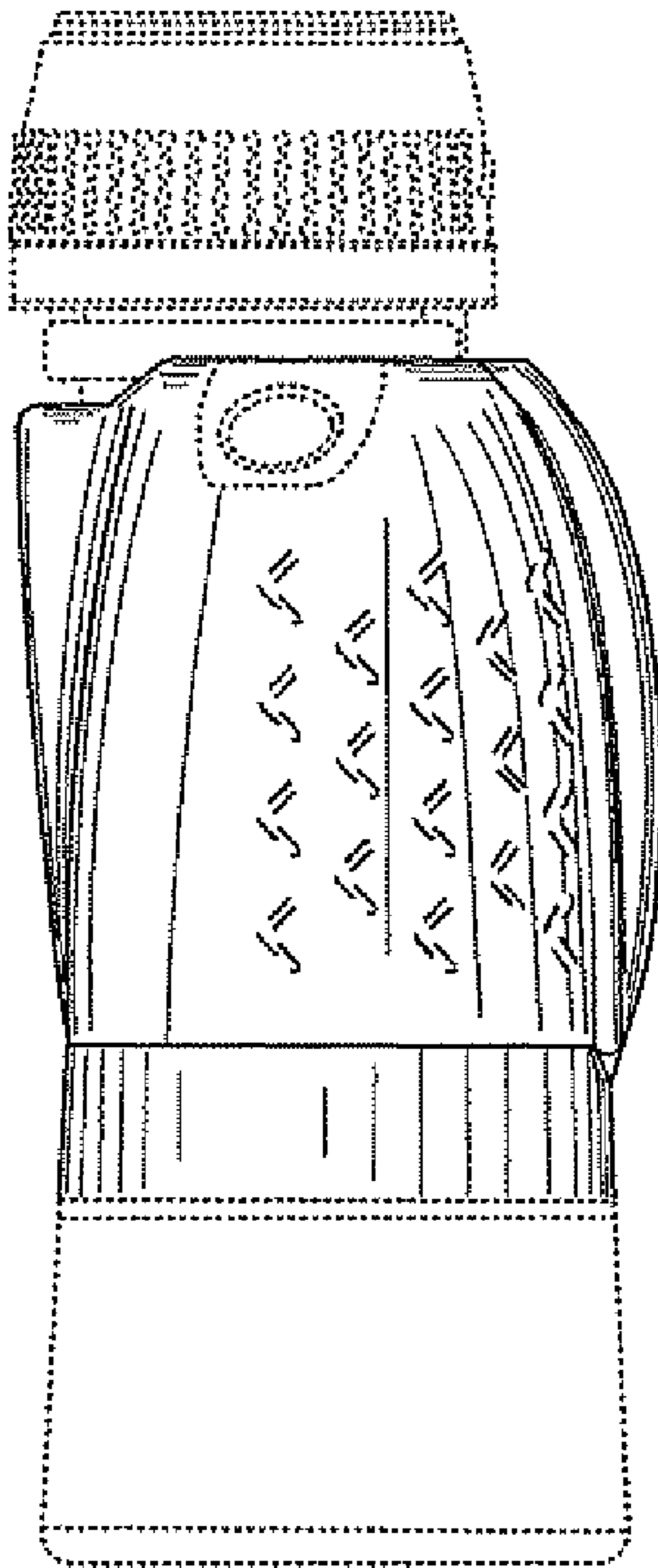


FIG. 13

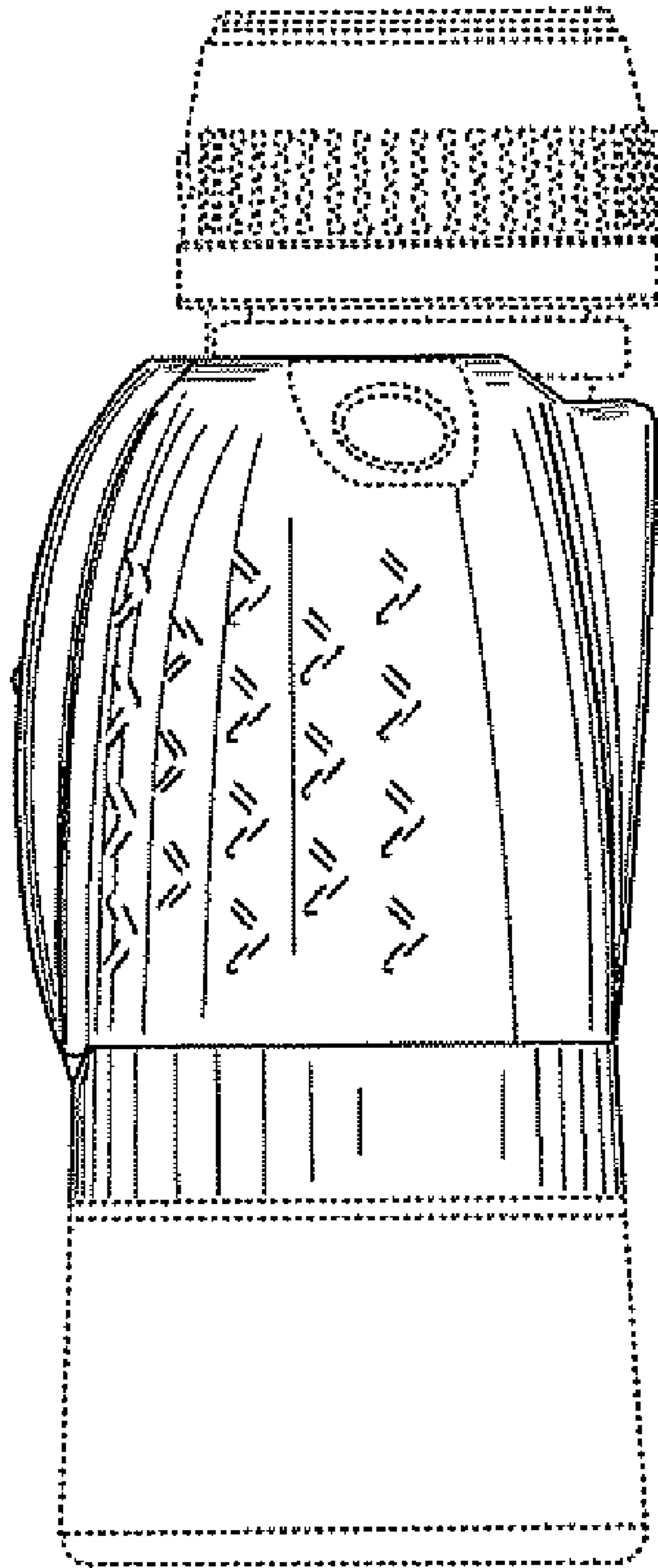


FIG. 14