



US00D567271S

(12) **United States Design Patent**
Vine

(10) **Patent No.:** **US D567,271 S**

(45) **Date of Patent:** **** Apr. 22, 2008**

(54) **PACKAGING MACHINE**

4,068,448 A * 1/1978 Modeen 53/131.3
D481,049 S * 10/2003 Limousin D15/145
2006/0218881 A1* 10/2006 Sperry et al. 53/411

(75) Inventor: **Lee Michael Vine**, Dorset (GB)

(73) Assignee: **Ishida Europe Limited**, Birmingham (GB)

* cited by examiner

(**) Term: **14 Years**

Primary Examiner—Gary D. Watson
Assistant Examiner—Patricia Palasik
(74) *Attorney, Agent, or Firm*—Oliff & Berridge, PLC

(21) Appl. No.: **29/266,122**

(22) Filed: **Sep. 15, 2006**

(57) **CLAIM**

(30) **Foreign Application Priority Data**

The ornamental design for a packing machine, as shown and described.

Mar. 17, 2006 (EM) 000500061

DESCRIPTION

(51) **LOC (8) Cl.** **15-09**

(52) **U.S. Cl.** **D15/145**

(58) **Field of Classification Search** D15/145,
D15/146; 53/203, 266.1, 285, 558; 100/4,
100/8, 25, 26, 29, 32

FIG. 1 is a perspective view of a packaging machine;
FIG. 2 is a front view thereof;
FIG. 3 is a side view thereof, the right-side view being a mirror image thereof, except for some broken line subject matter on the opposite side of the large round roll.
FIG. 4 is a rear view thereof;
FIG. 5 is a top view thereof; and,
FIG. 6 is a bottom view thereof.

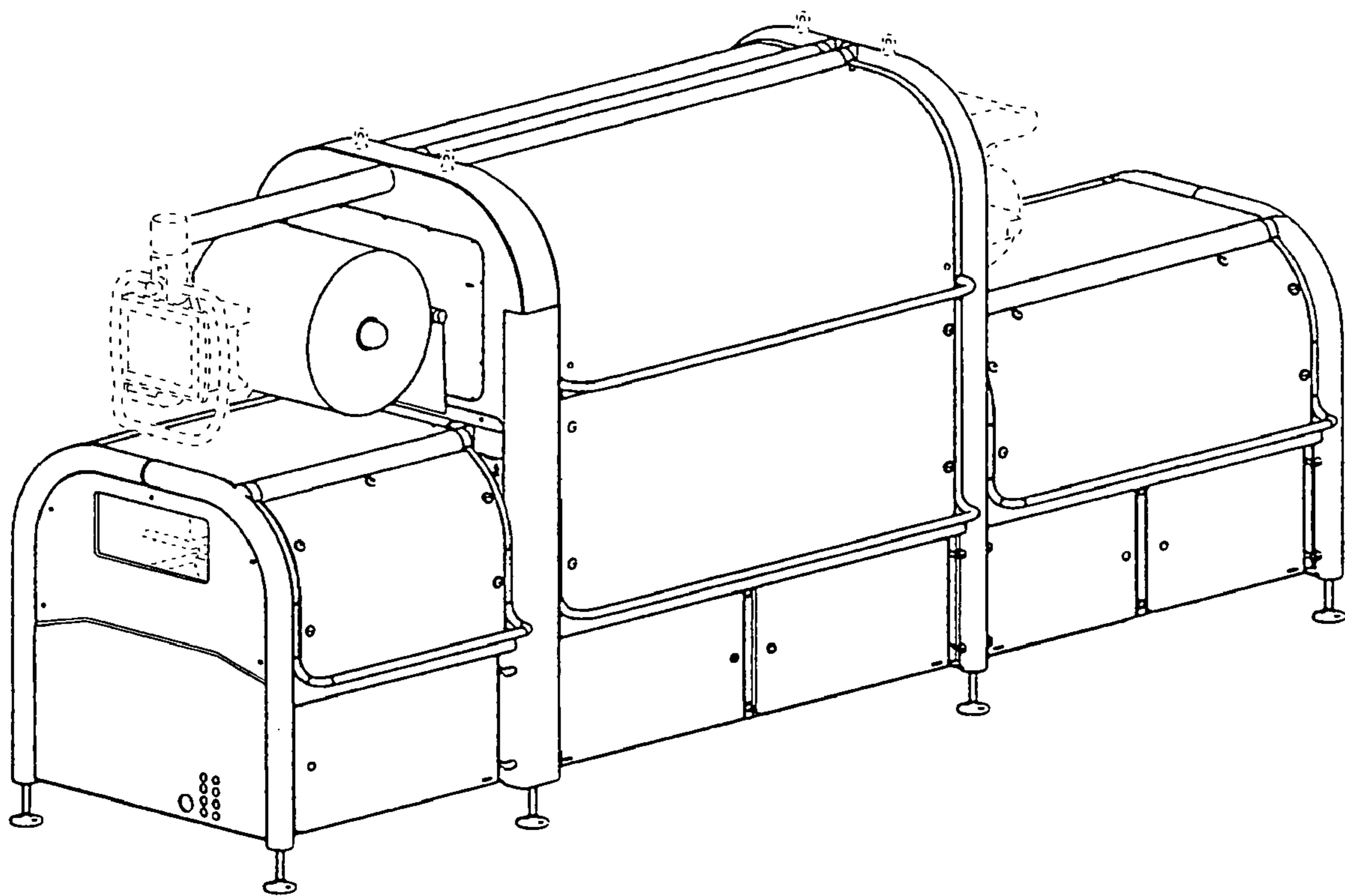
See application file for complete search history.

(56) **References Cited**

U.S. PATENT DOCUMENTS

D230,075 S * 1/1974 Sherman D15/145
D239,461 S * 4/1976 Heavner D15/145

1 Claim, 5 Drawing Sheets



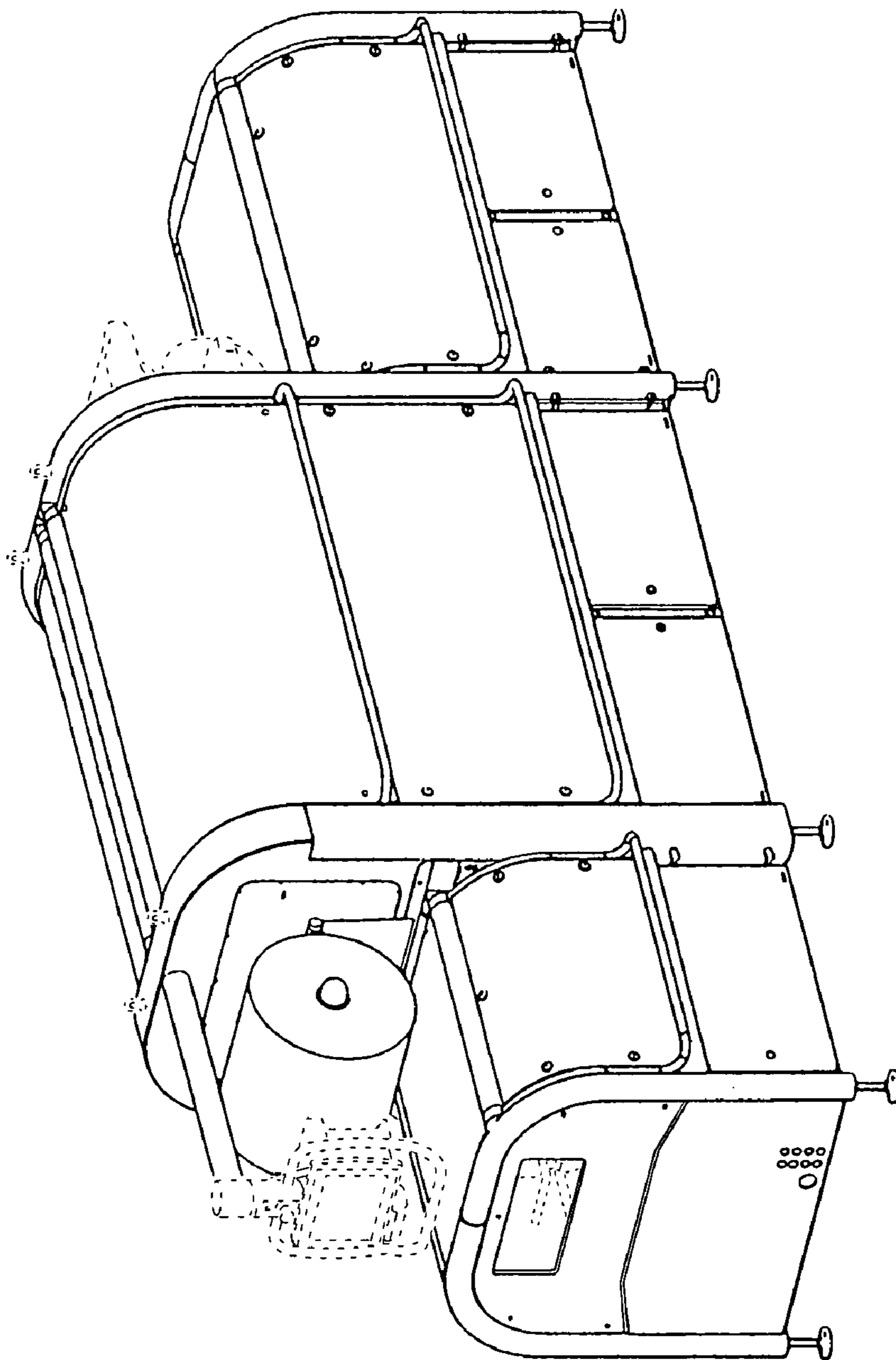


FIG. 1

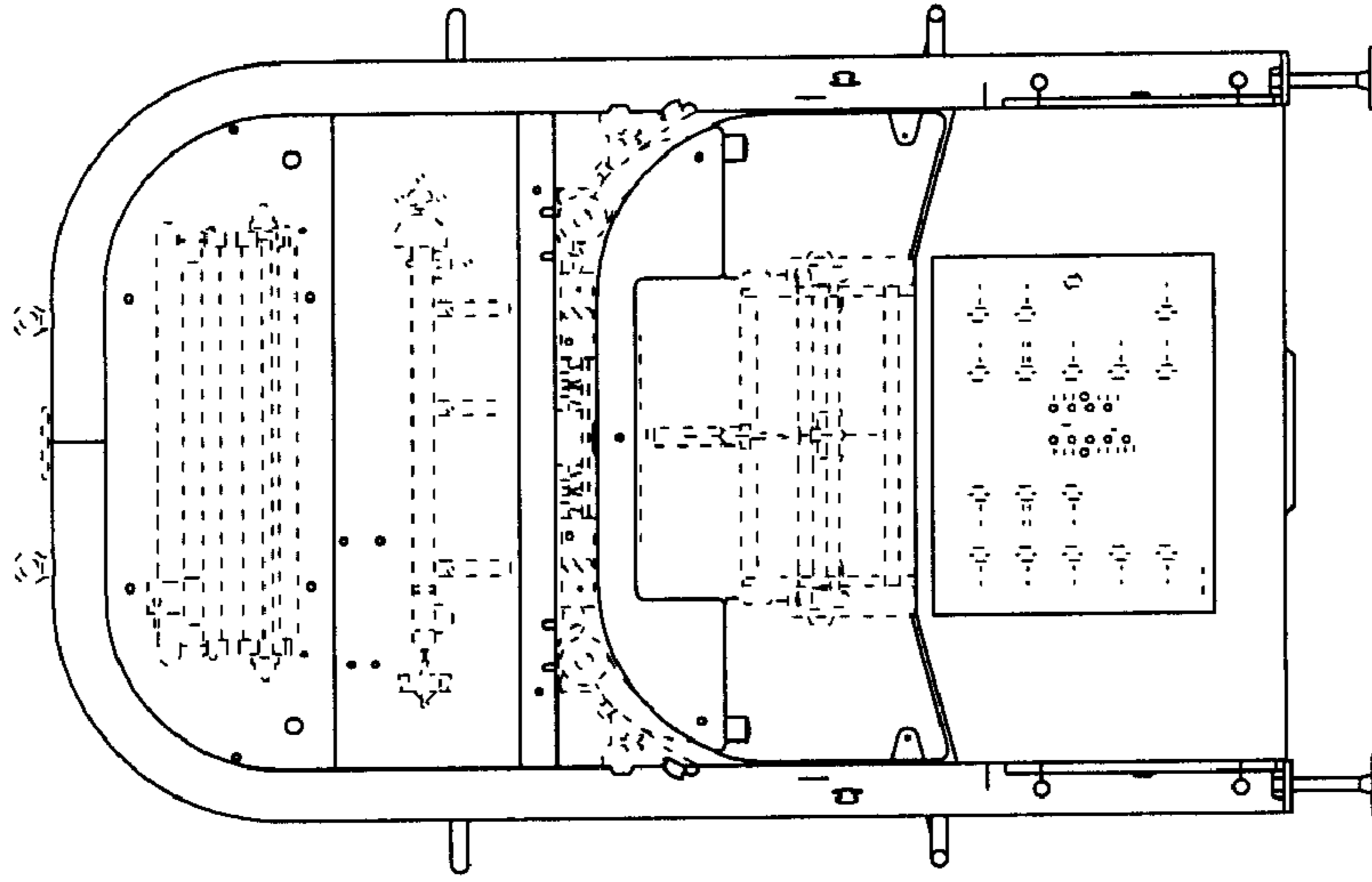


FIG. 4

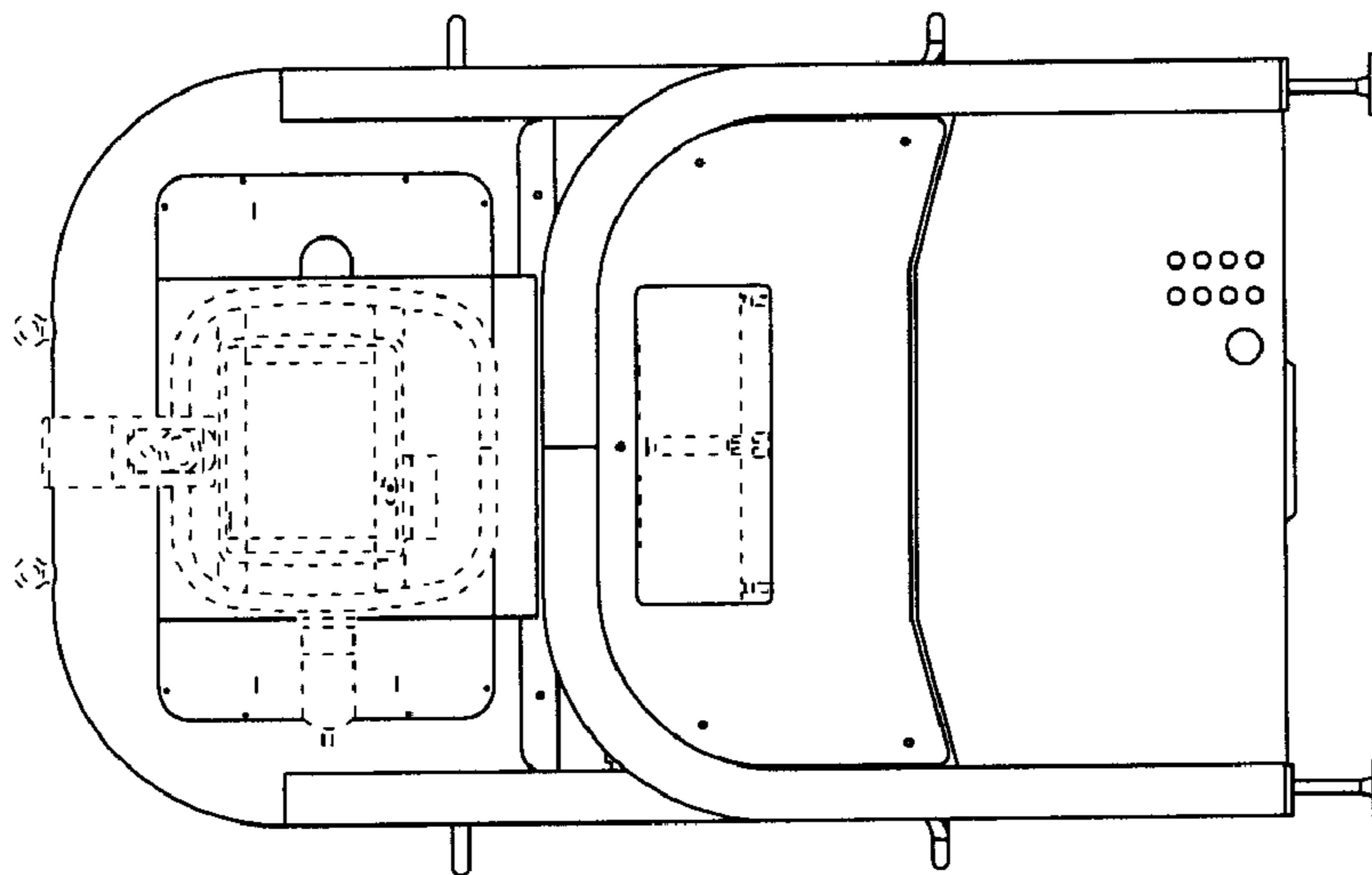


FIG. 2

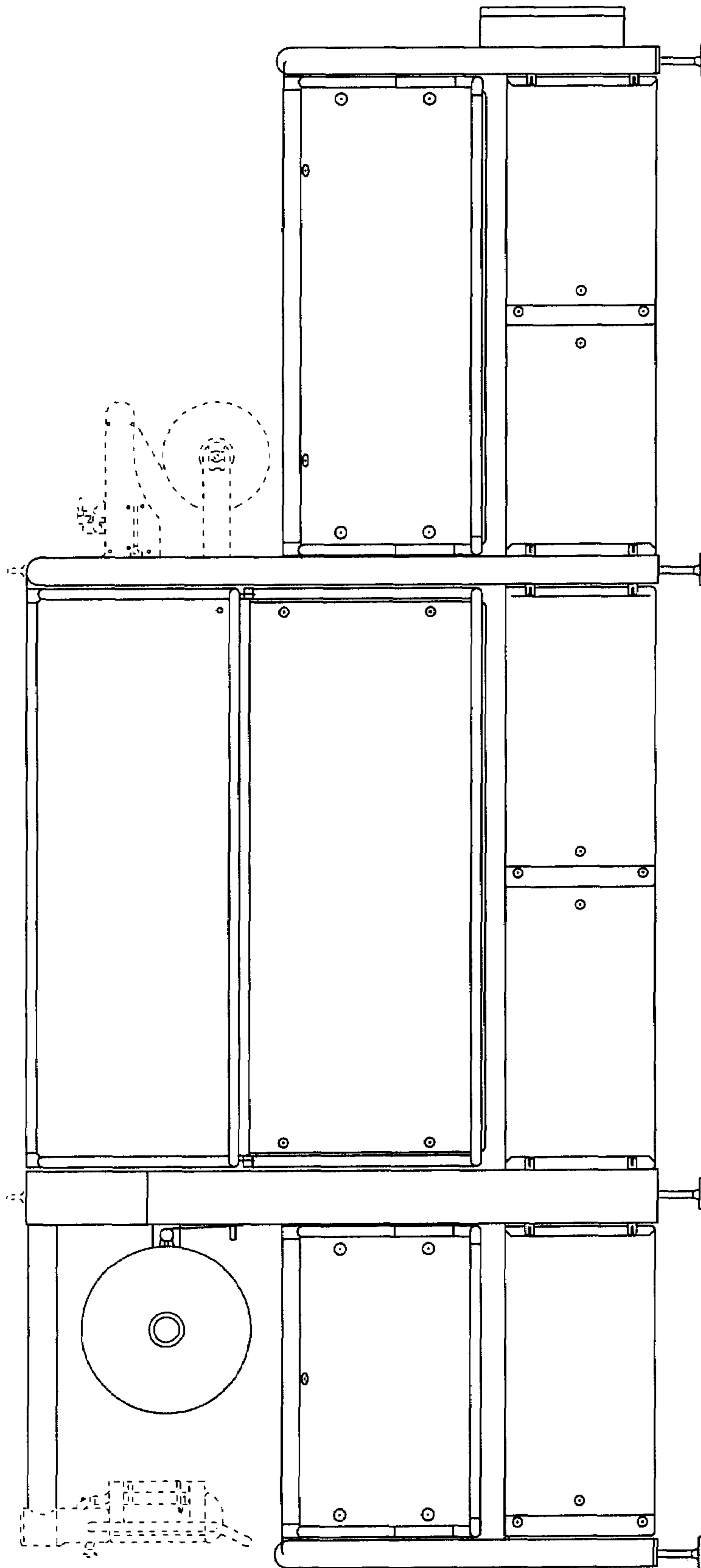


FIG. 3

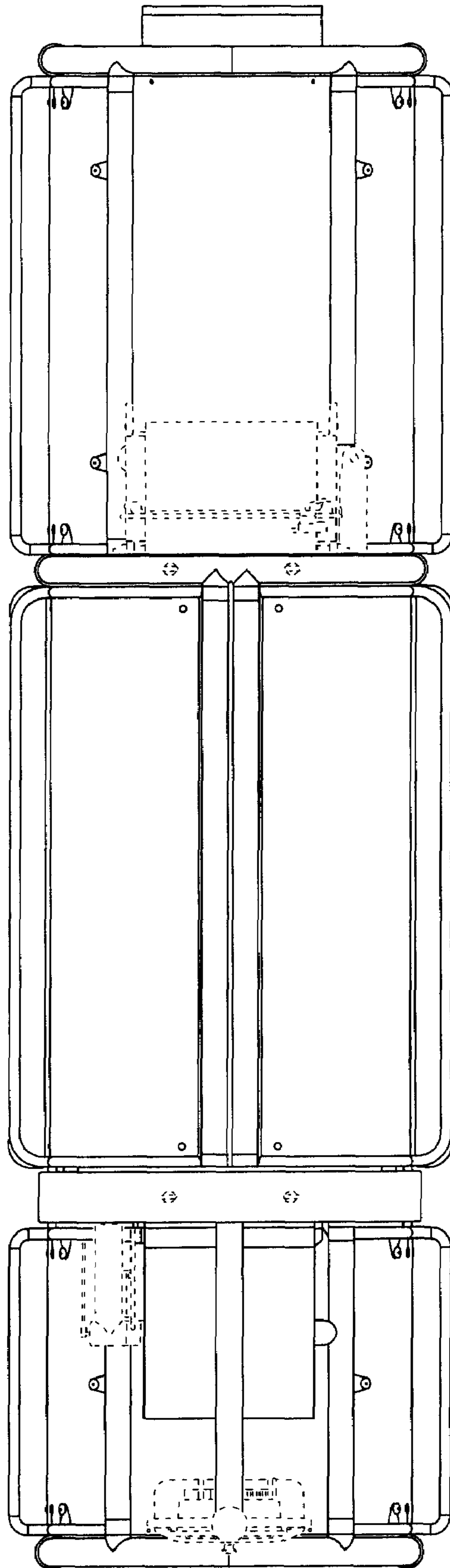


FIG. 5

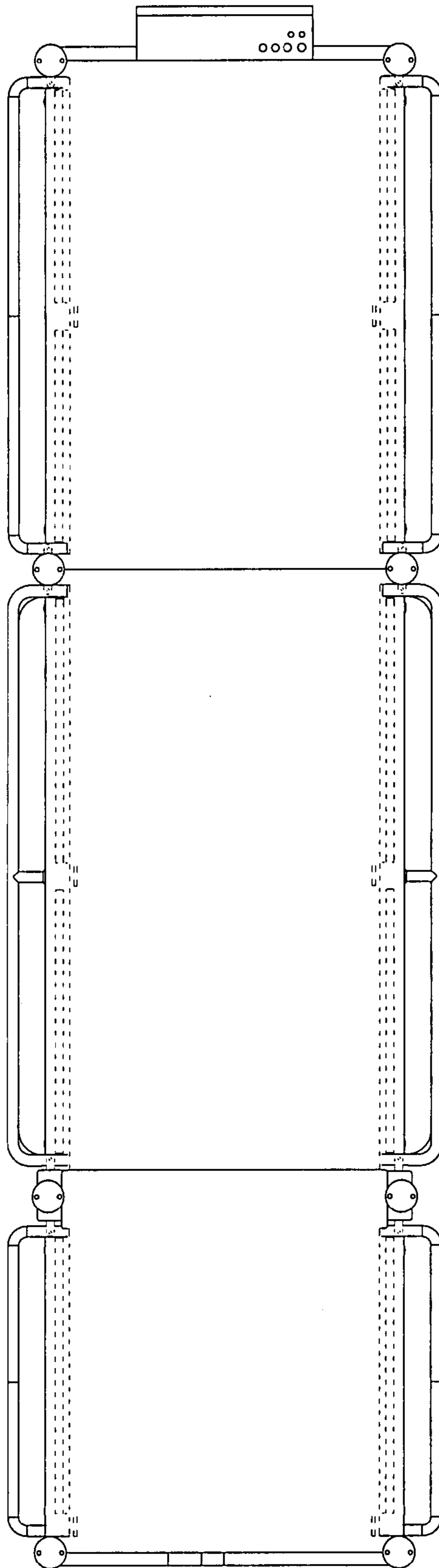


FIG. 6