



US00D567270S

(12) **United States Design Patent**
Chiang

(10) **Patent No.:** **US D567,270 S**

(45) **Date of Patent:** **** Apr. 22, 2008**

(54) **CHISEL HOLDER**

(75) Inventor: **Chun-Li Chiang**, Taichung (TW)

(73) Assignee: **Everpads Co., Ltd.**, Taichung (TW)

(**) Term: **14 Years**

(21) Appl. No.: **29/297,107**

(22) Filed: **Nov. 4, 2007**

(51) **LOC (8) Cl.** **15-09**

(52) **U.S. Cl.** **D15/140; D8/71**

(58) **Field of Classification Search** D8/71;
D15/138, 139, 140; 299/102-103, 106-110;
411/82.2, 82.5, 257, 258, 901-903, 914, 916,
411/930

See application file for complete search history.

(56) **References Cited**

U.S. PATENT DOCUMENTS

D232,762	S *	9/1974	Lanese	D15/140
4,275,929	A *	6/1981	Krekeler	299/102
4,343,516	A *	8/1982	Aden	299/106
4,944,560	A *	7/1990	Osterwise	299/106
5,251,964	A *	10/1993	Ojanen	299/106
5,529,384	A *	6/1996	Ojanen et al.	299/107
5,683,144	A *	11/1997	Kammerer et al.	299/102
D418,382	S *	1/2000	Jones	D8/71

6,244,665	B1 *	6/2001	Bise et al.	299/106
6,386,641	B2 *	5/2002	Mondy	299/102
6,764,140	B2 *	7/2004	Carson et al.	299/102
6,854,810	B2 *	2/2005	Montgomery, Jr.	299/106
2004/0004389	A1 *	1/2004	Latham	299/107

* cited by examiner

Primary Examiner—Sandra Snapp

Assistant Examiner—Patricia Palasik

(74) *Attorney, Agent, or Firm*—Pai Patent & Trademark Law Firm; Chao-Chang David Pai

(57) **CLAIM**

The ornamental design for a chisel holder, as shown and described.

DESCRIPTION

FIG. 1 is a perspective view of a chisel holder showing my new design;

FIG. 2 is a front elevational view thereof;

FIG. 3 is a rear elevational view thereof;

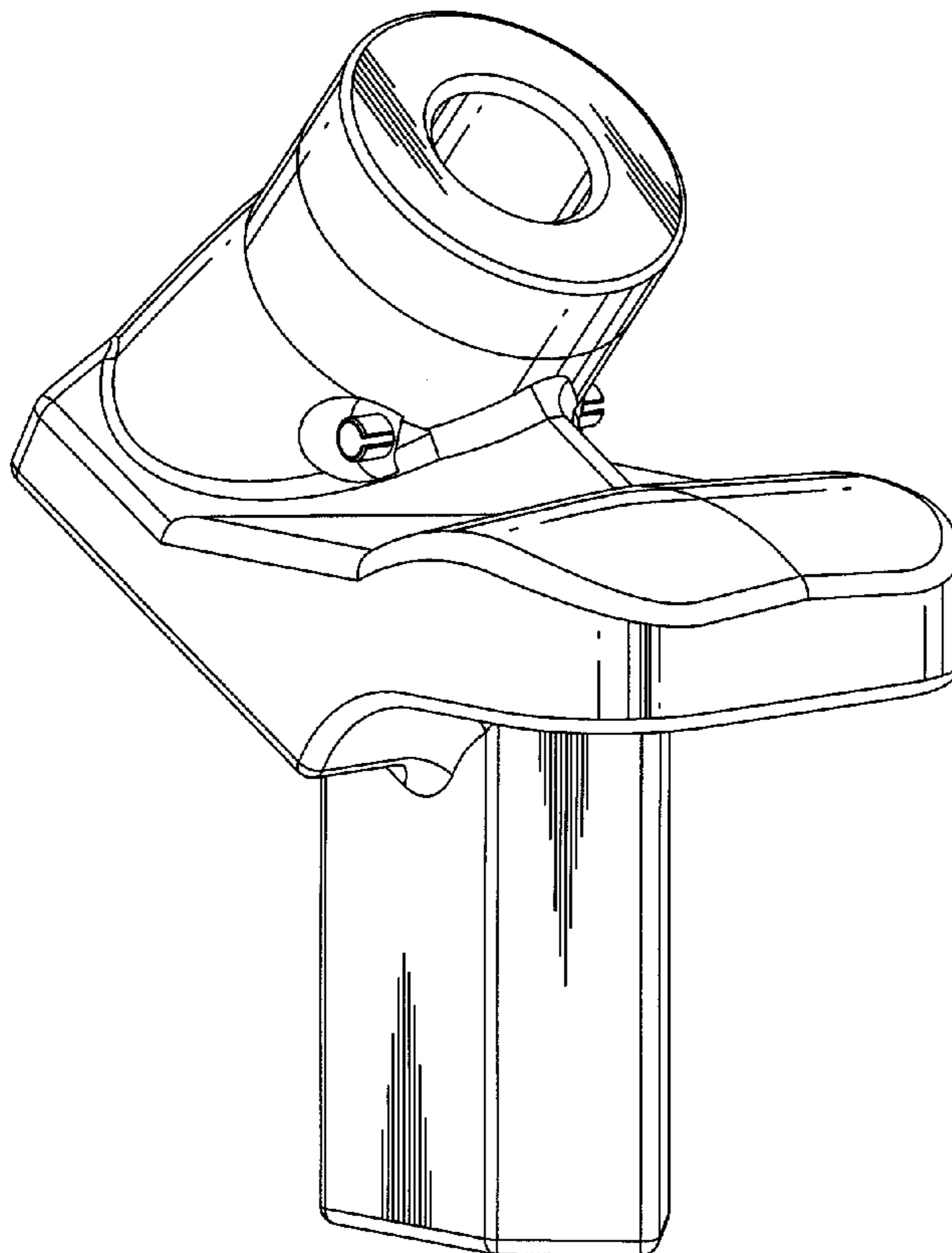
FIG. 4 is left side elevational view thereof;

FIG. 5 is right side elevational view thereof;

FIG. 6 a top plan view thereof; and,

FIG. 7 a bottom plan view thereof.

1 Claim, 7 Drawing Sheets



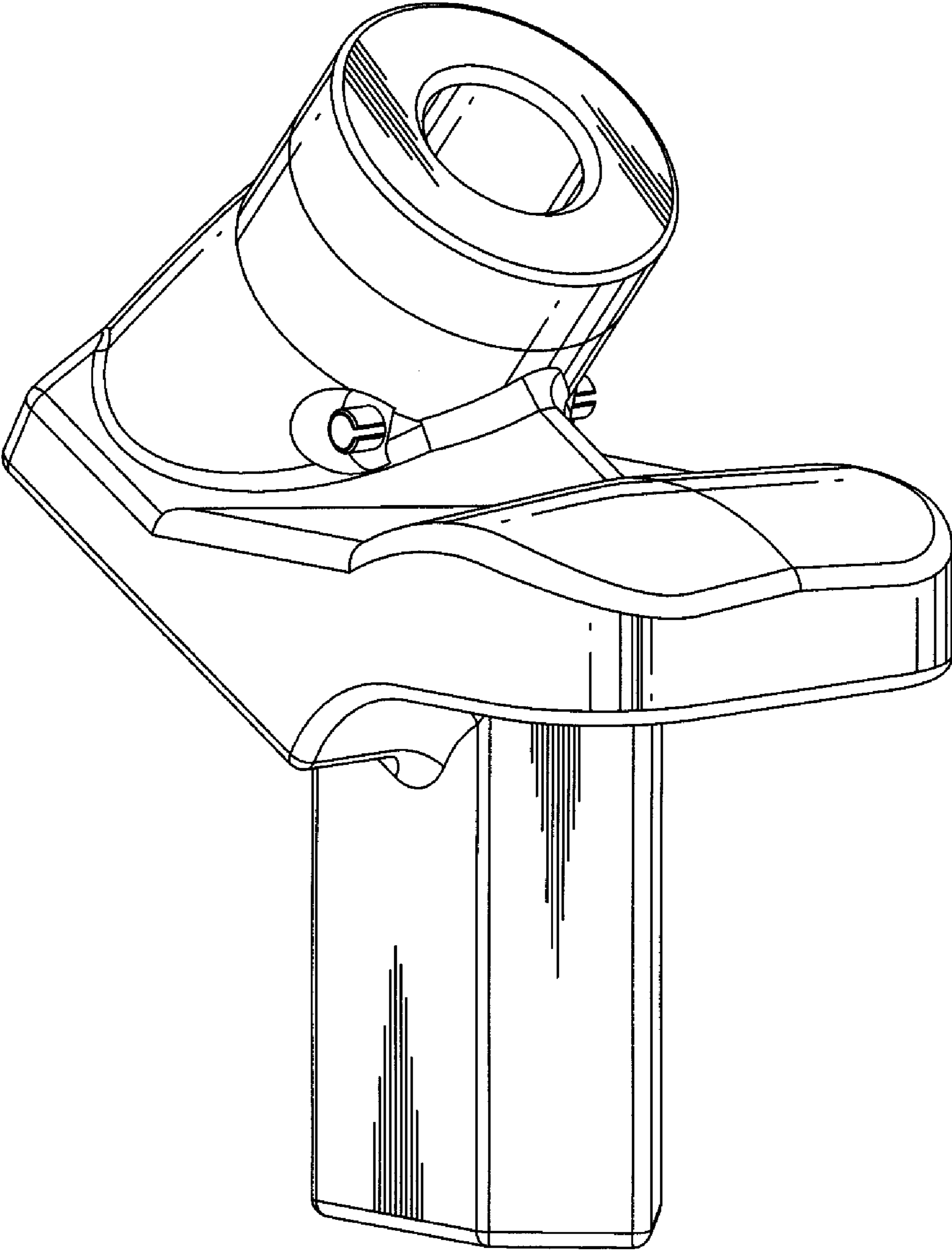


FIG. 1

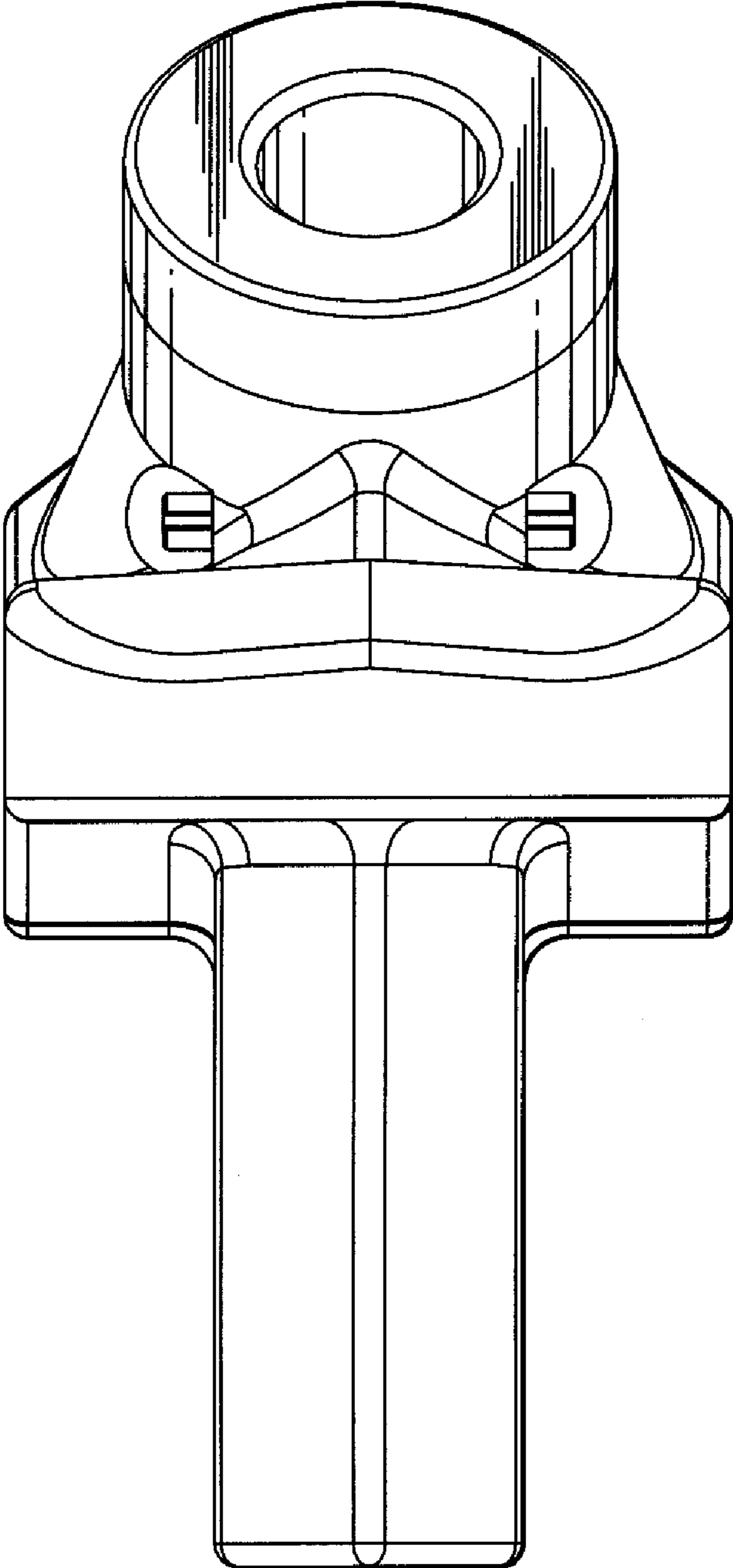


FIG. 2

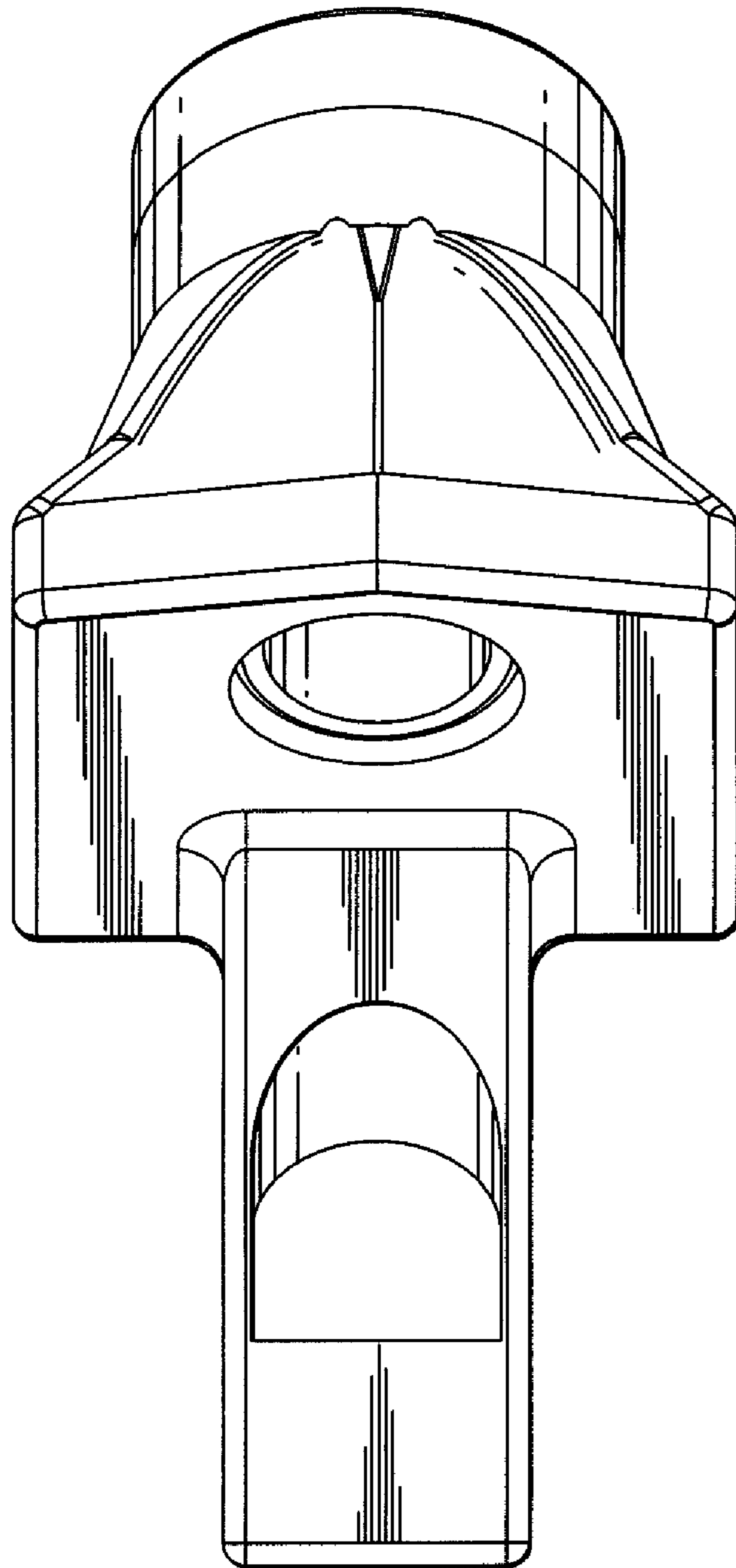


FIG. 3

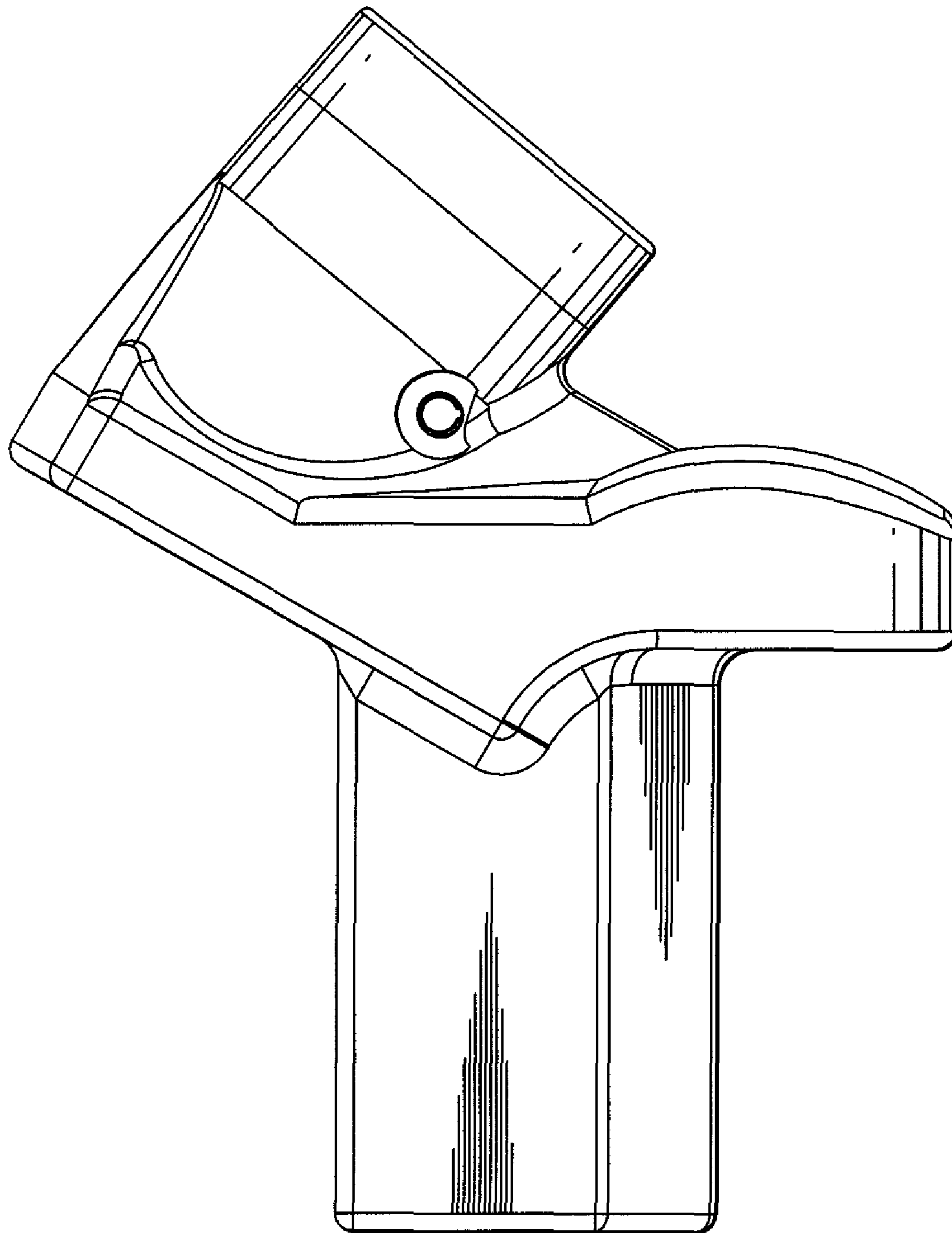


FIG. 4

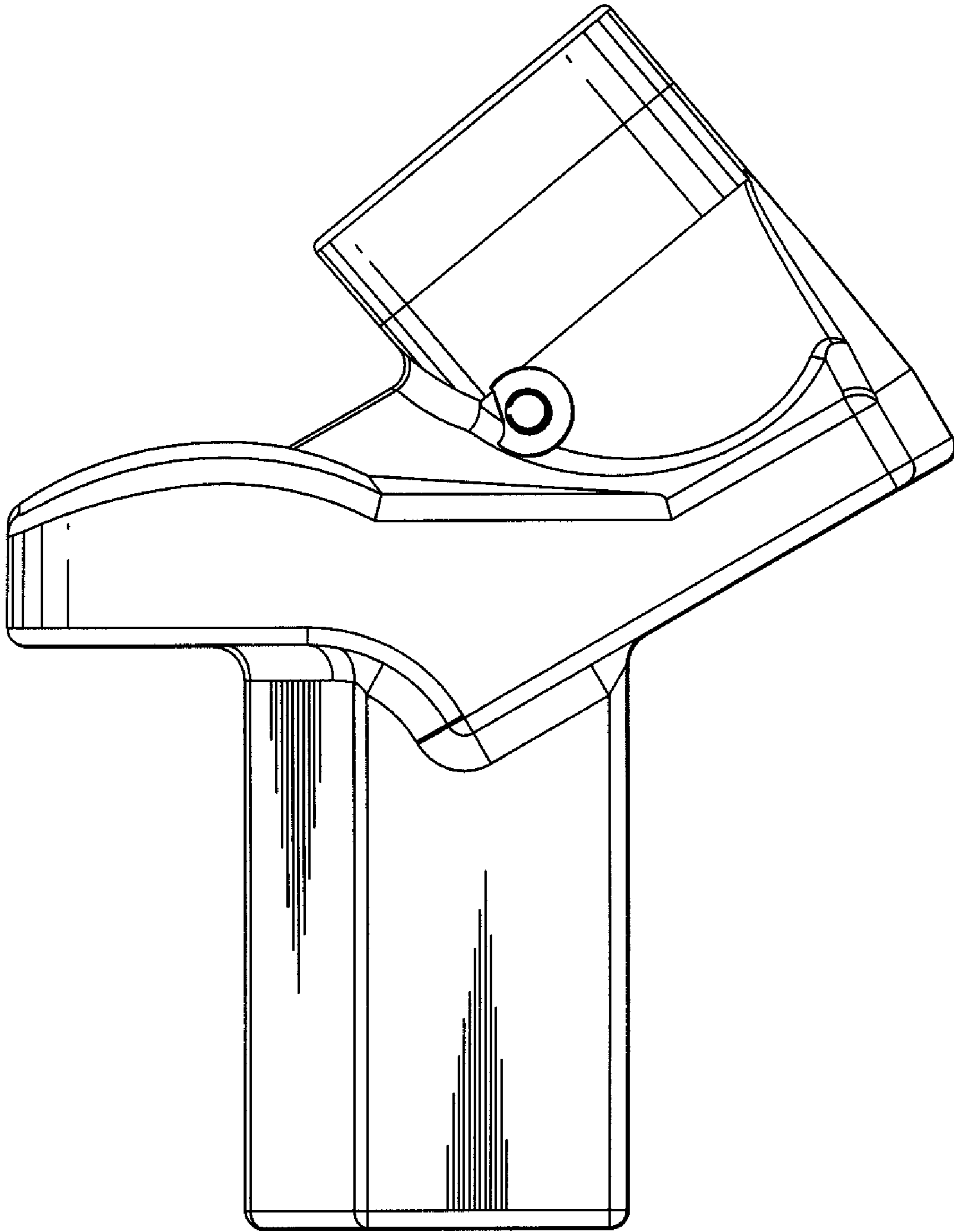


FIG. 5

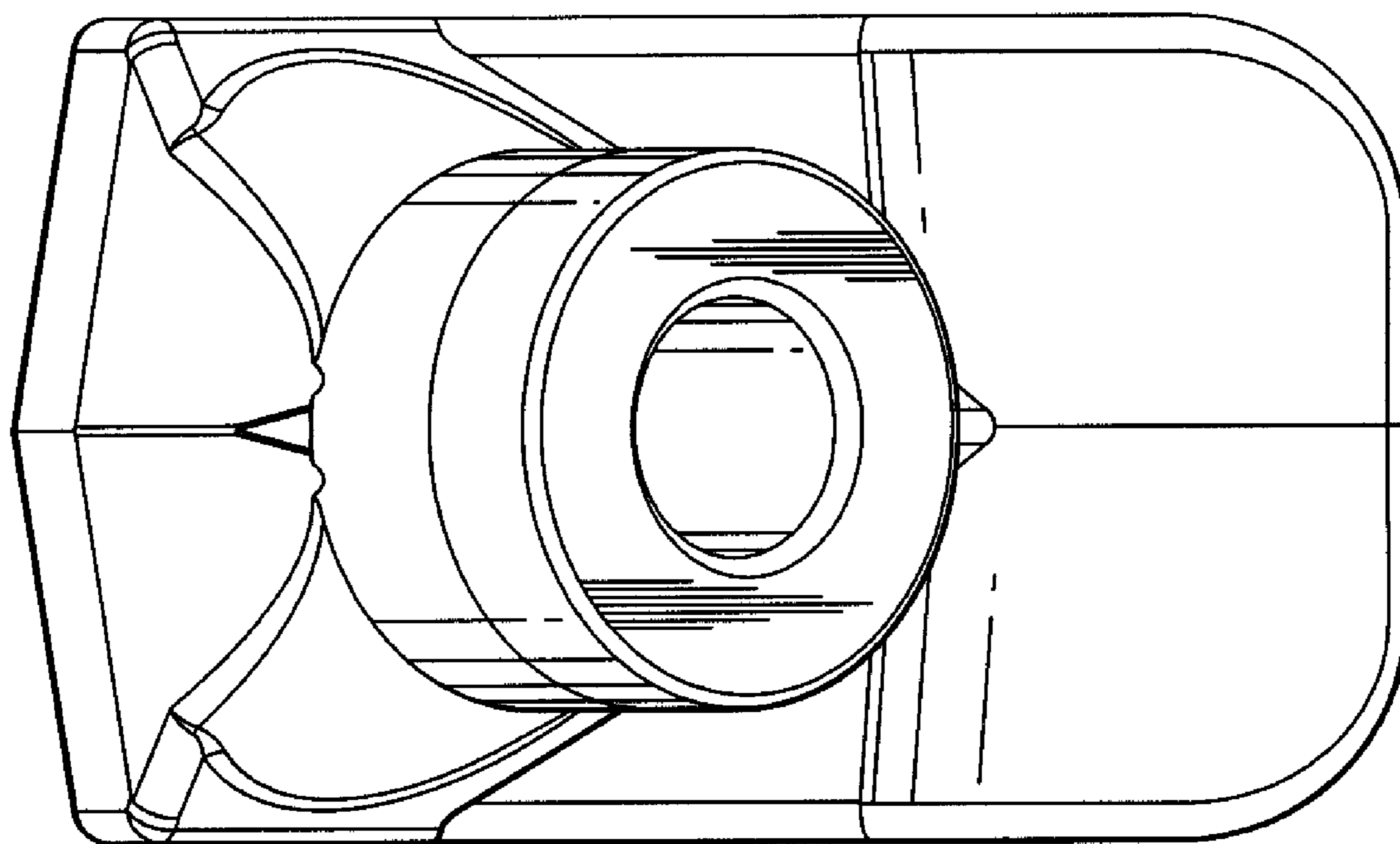


FIG. 6

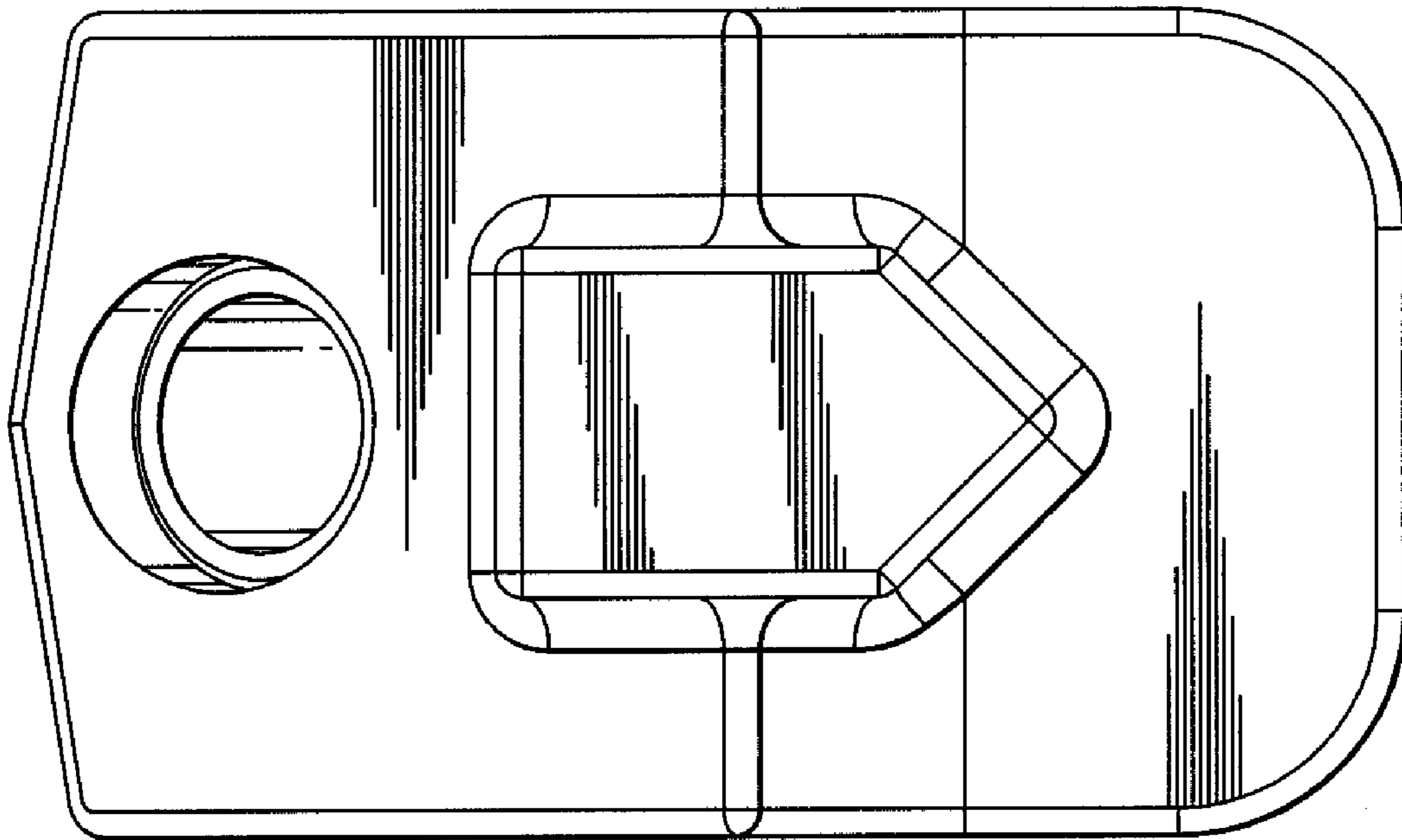


FIG. 7