



US00D567269S

(12) **United States Design Patent**
Netzler

(10) **Patent No.:** **US D567,269 S**

(45) **Date of Patent:** **** Apr. 22, 2008**

(54) **POCKET HOLE JIG**

(75) Inventor: **Sion Netzler**, Abingdon, MD (US)

(73) Assignee: **Black & Decker Inc.**, Newark, DE (US)

(**) Term: **14 Years**

(21) Appl. No.: **29/286,903**

(22) Filed: **May 22, 2007**

(51) **LOC (8) Cl.** **15-09**

(52) **U.S. Cl.** **D15/140; D8/70**

(58) **Field of Classification Search** D8/70-74;
D15/140; 144/83, 103, 144.1, 344-346,
144/353, 372; 269/79, 251; 408/1 R, 72 B,
408/97, 103, 104, 108, 109, 115 B, 115 R,
408/124, 241 G

See application file for complete search history.

(56) **References Cited**

U.S. PATENT DOCUMENTS

3,045,727	A *	7/1962	Clarke	408/103
D274,033	S	5/1984	Miller		
D282,237	S	1/1986	Warburg		
4,583,889	A *	4/1986	Fallon	408/115 R
D344,529	S	2/1994	Gowdy		
6,231,280	B1 *	5/2001	Bullen	408/97
D463,729	S	10/2002	Wathen et al.		

D503,415	S	5/2005	Dembicks et al.		
D522,338	S *	6/2006	Heun	D8/70
7,112,014	B2 *	9/2006	Thomas	408/1 R
D533,571	S *	12/2006	Degen	D15/140
2006/0228180	A1 *	10/2006	Sommerfeld et al.	...	408/115 R

* cited by examiner

Primary Examiner—Antoine D. Davis

Assistant Examiner—Patricia Palasik

(74) *Attorney, Agent, or Firm*—Mehul R. Jani; Adan Ayala; Charles Yocum

(57) **CLAIM**

The ornamental design for a pocket hole jig, as shown and described.

DESCRIPTION

FIG. 1 is a perspective view of a pocket hole jig showing the new design.

FIG. 2 is a front view thereof.

FIG. 3 is a rear view thereof.

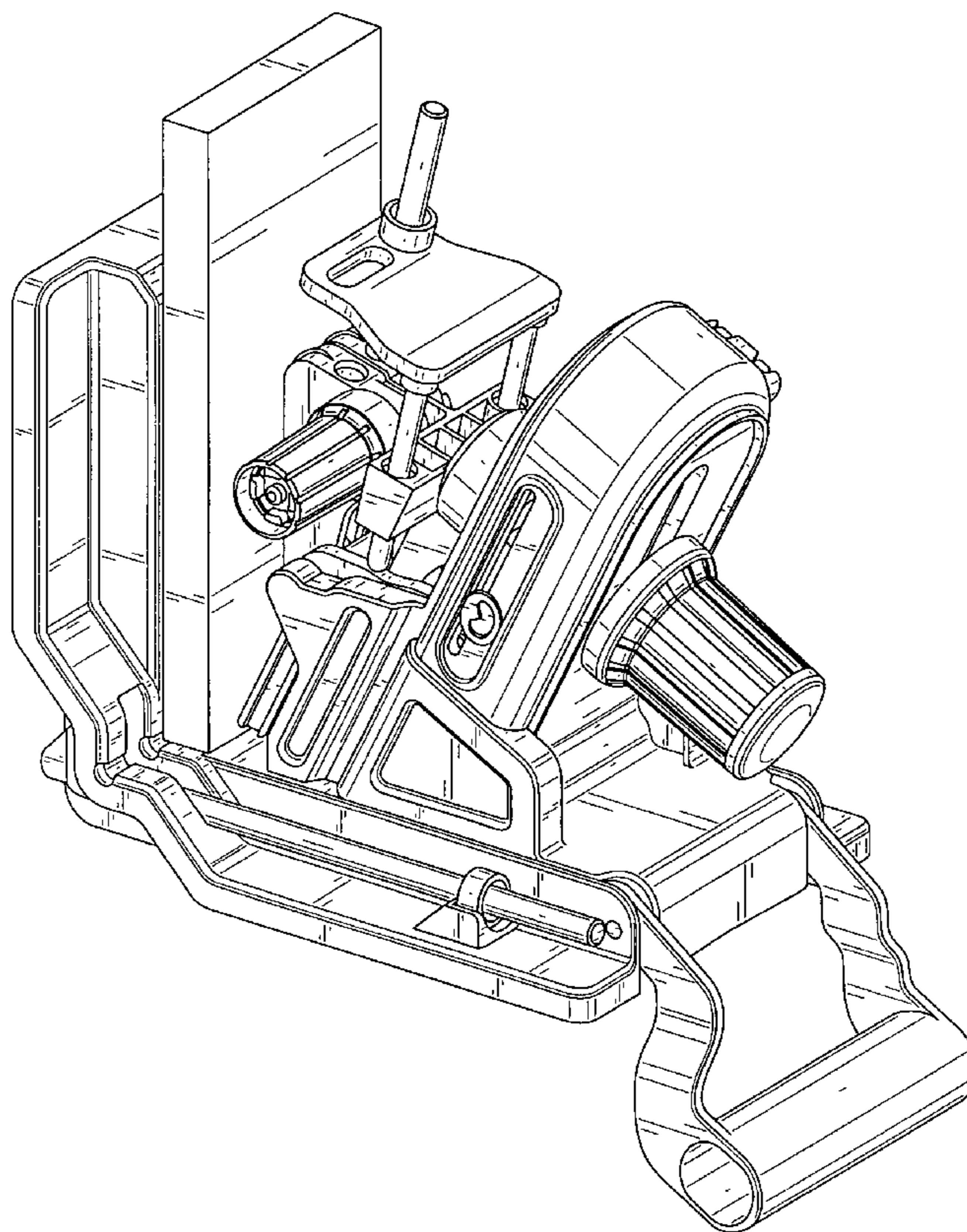
FIG. 4 is a right side view thereof.

FIG. 5 is a left side view thereof.

FIG. 6 is a top view thereof; and,

FIG. 7 is a bottom view thereof.

1 Claim, 7 Drawing Sheets



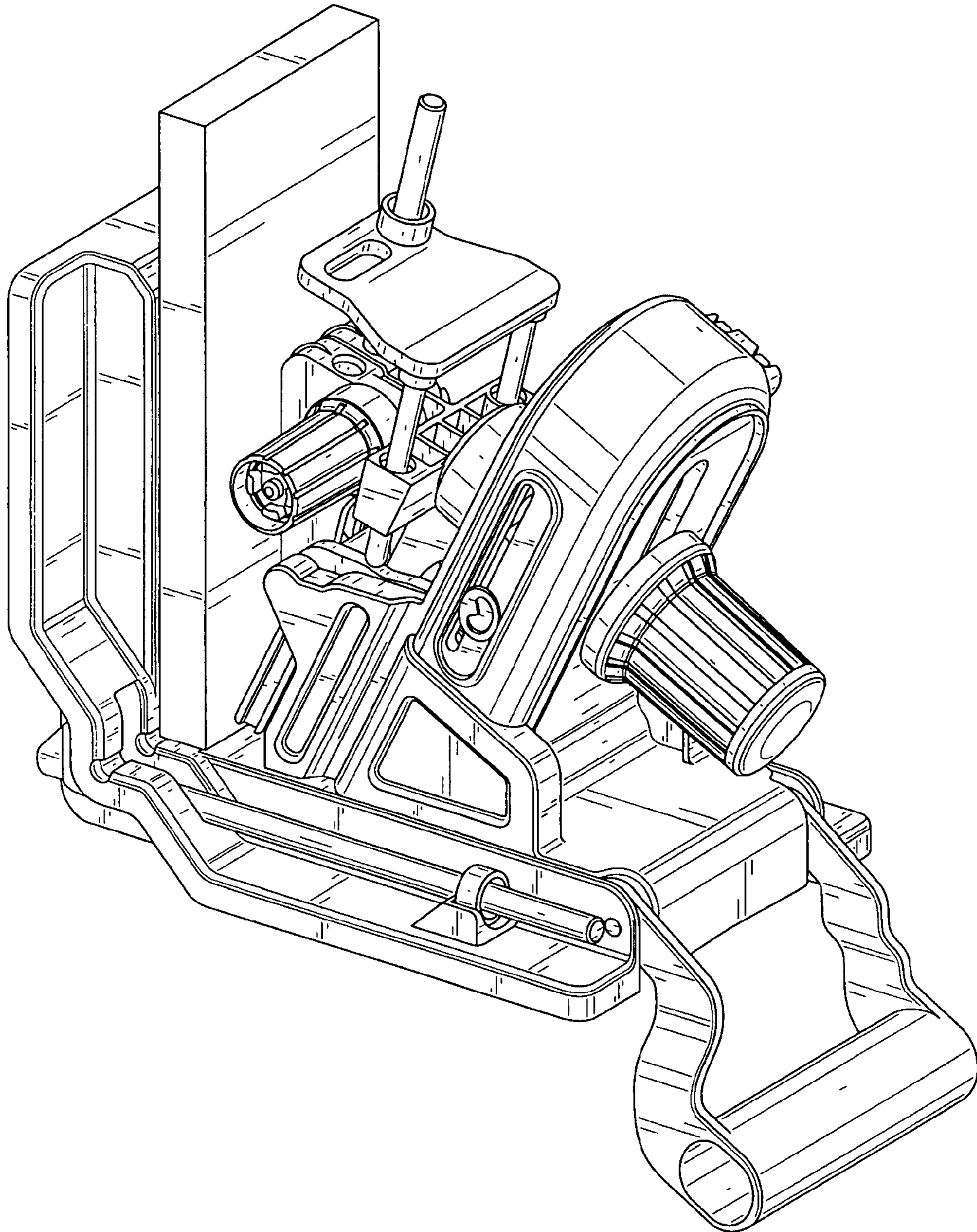


FIG. 1

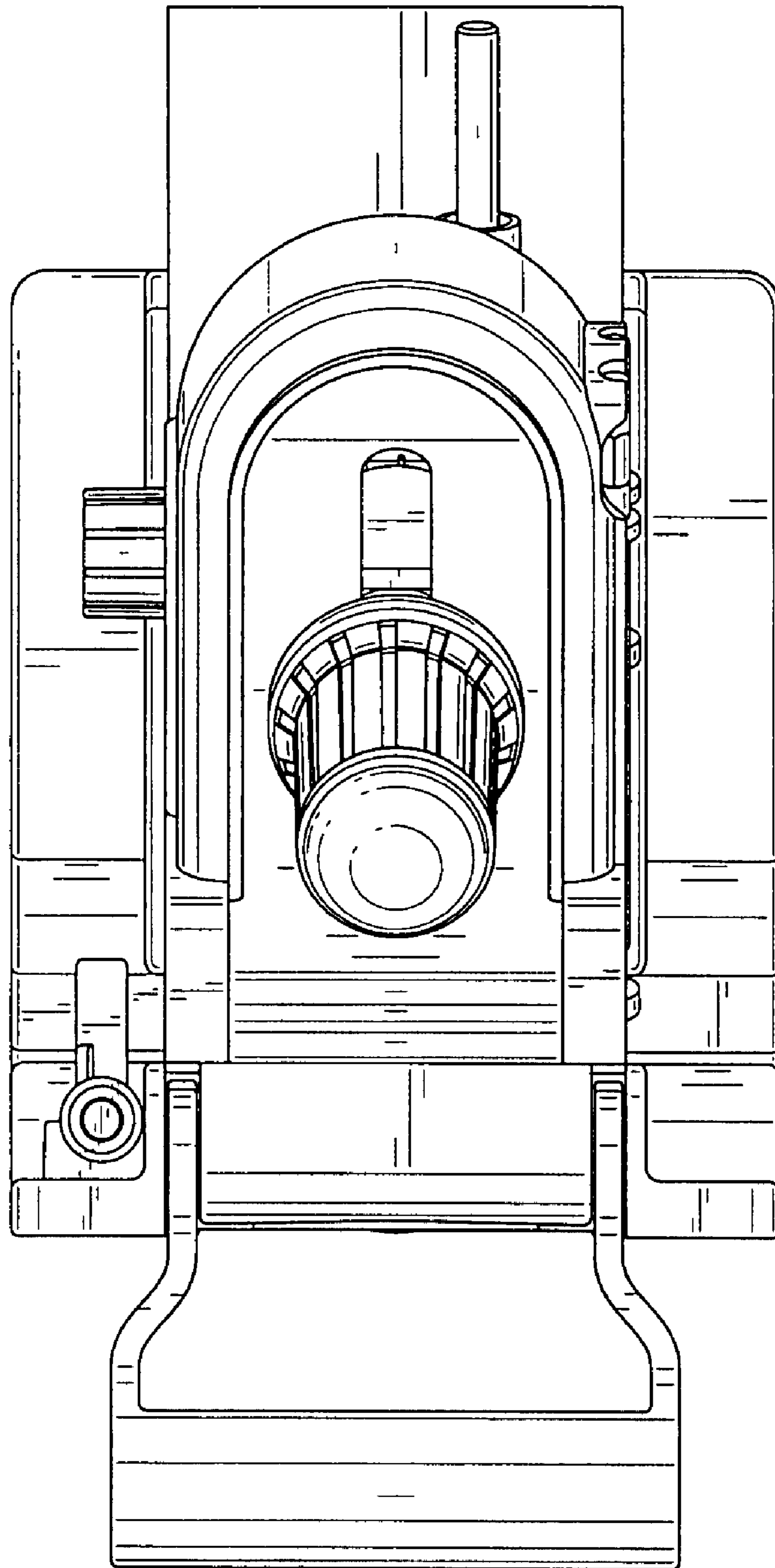


FIG. 2

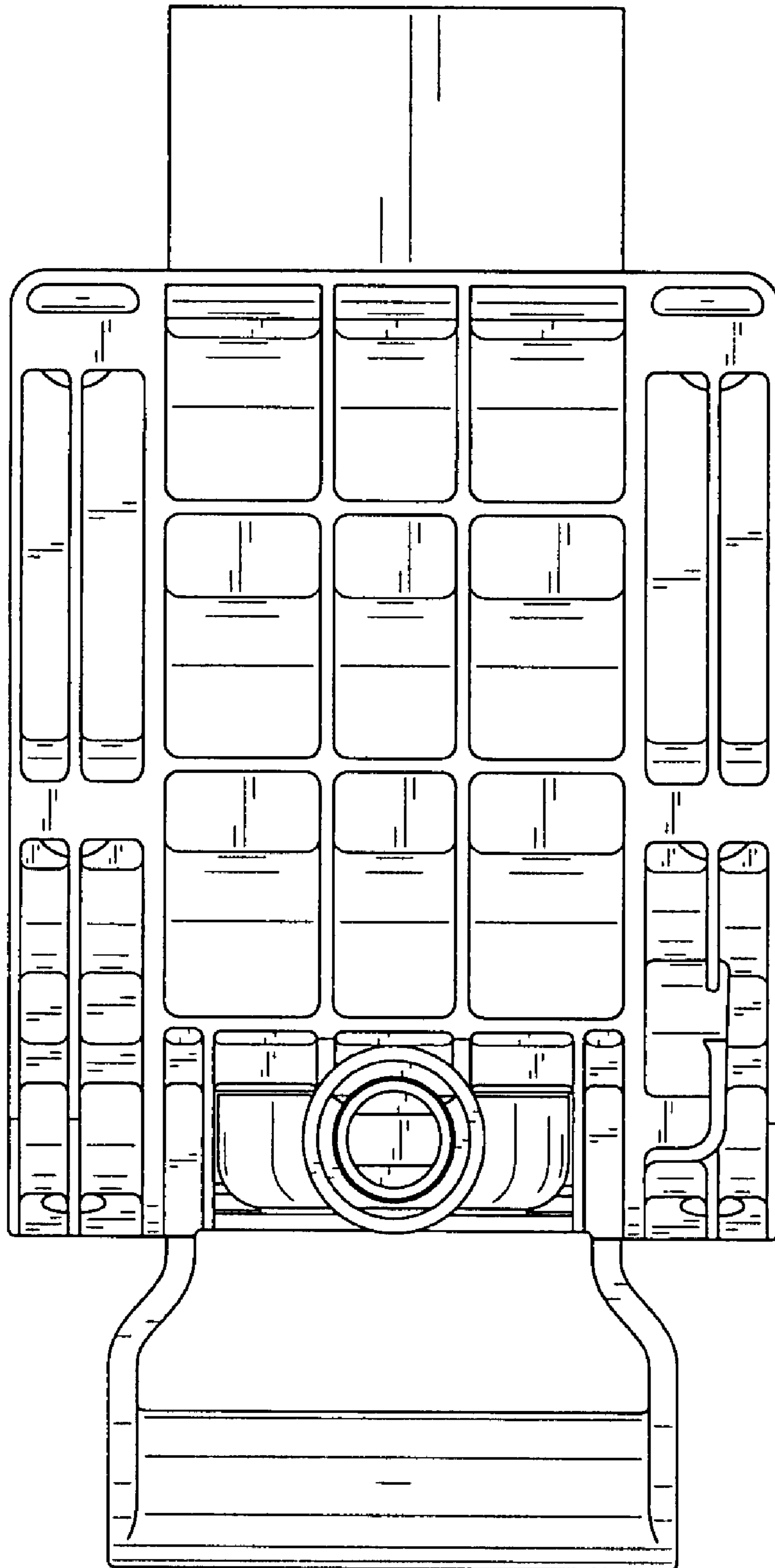


FIG. 3

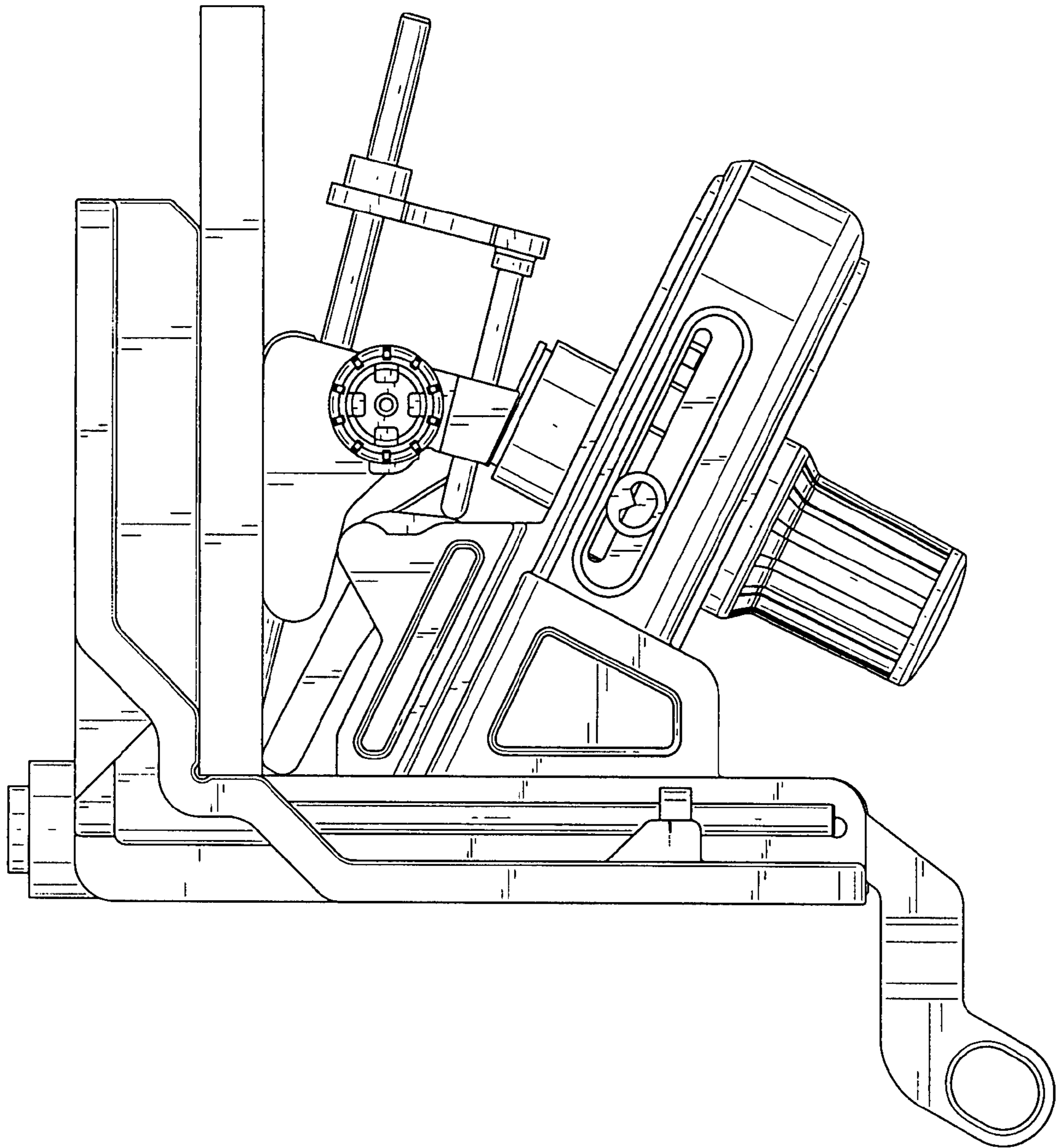


FIG. 4

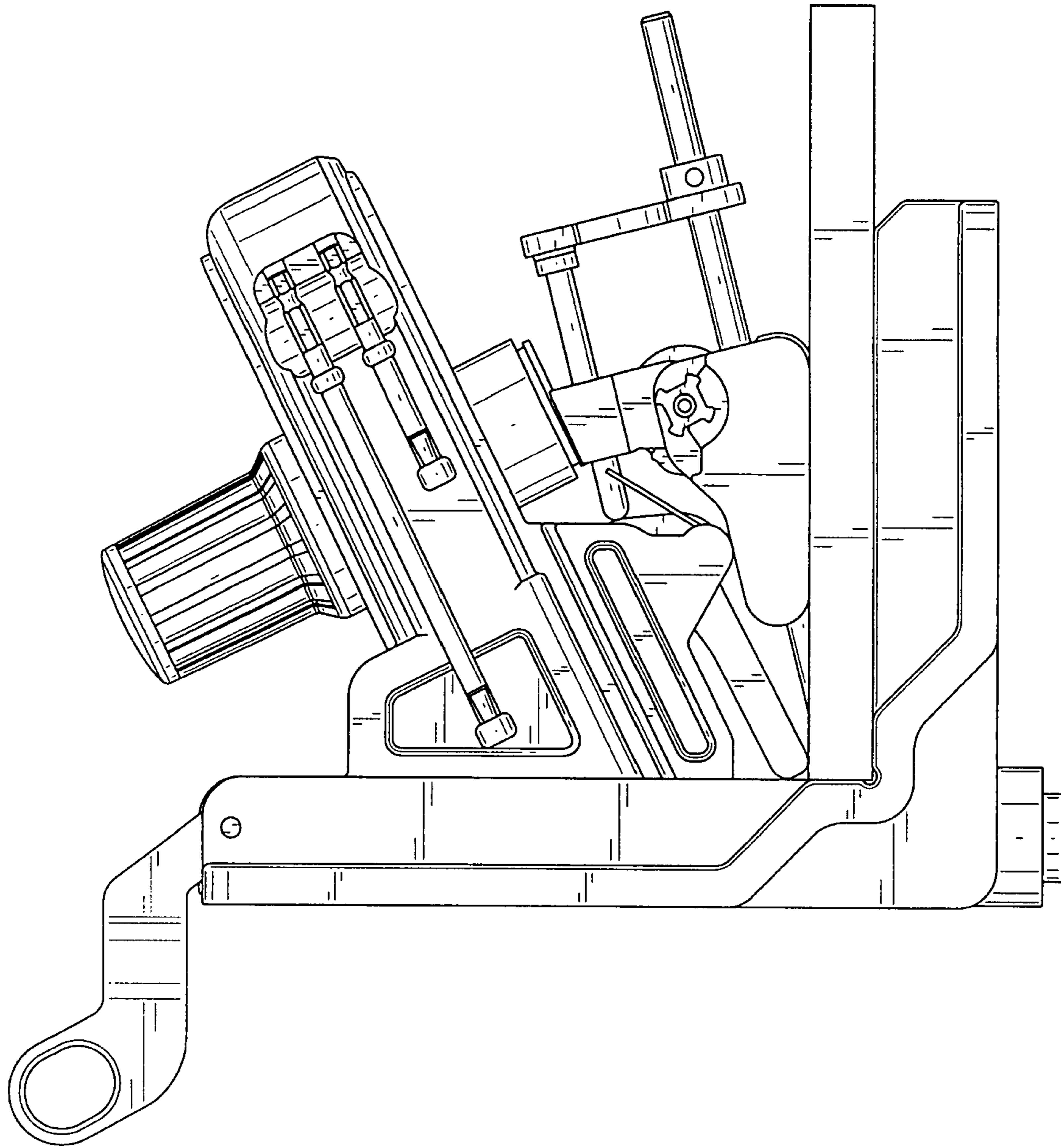


FIG. 5

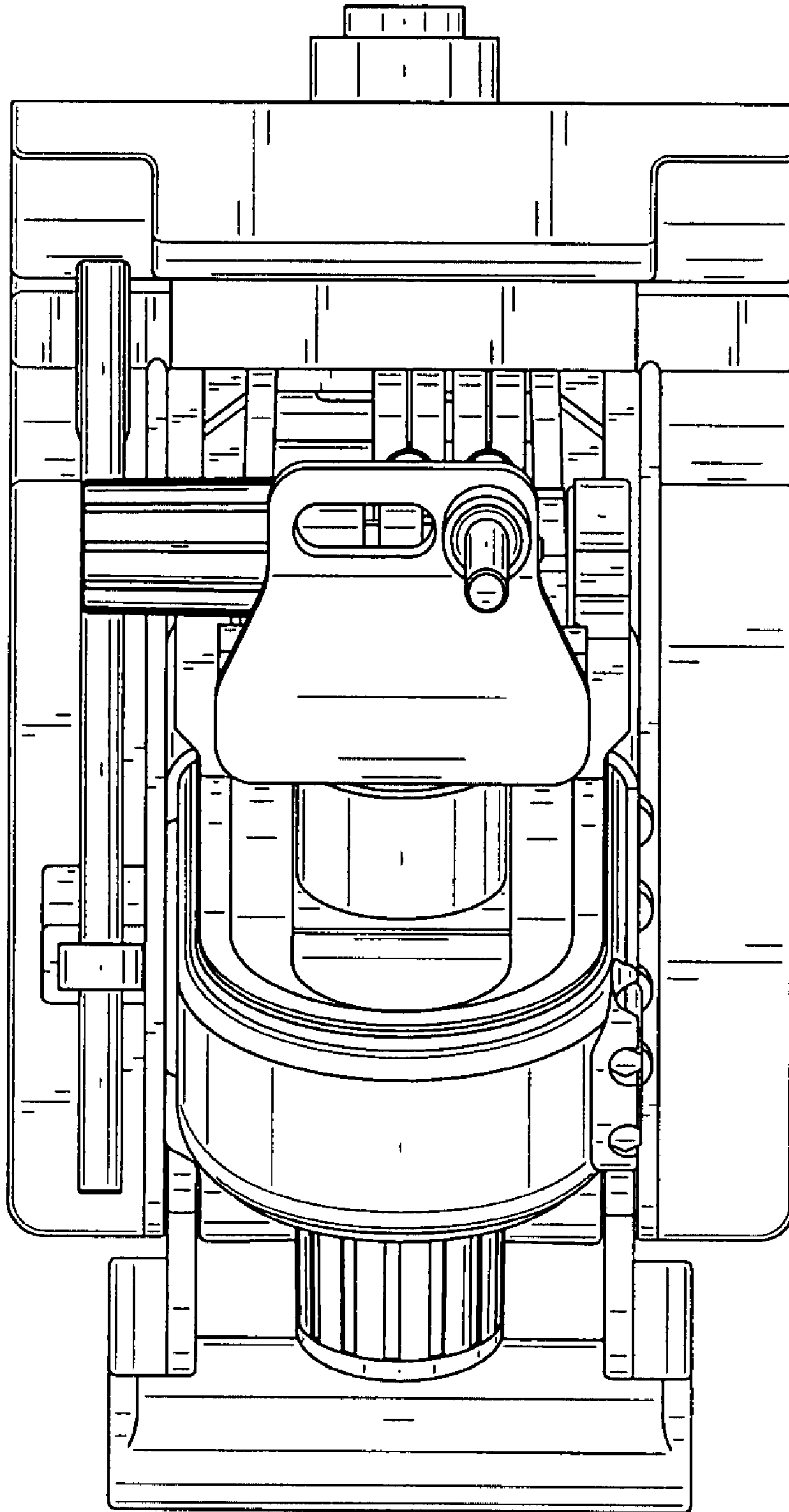


FIG. 6

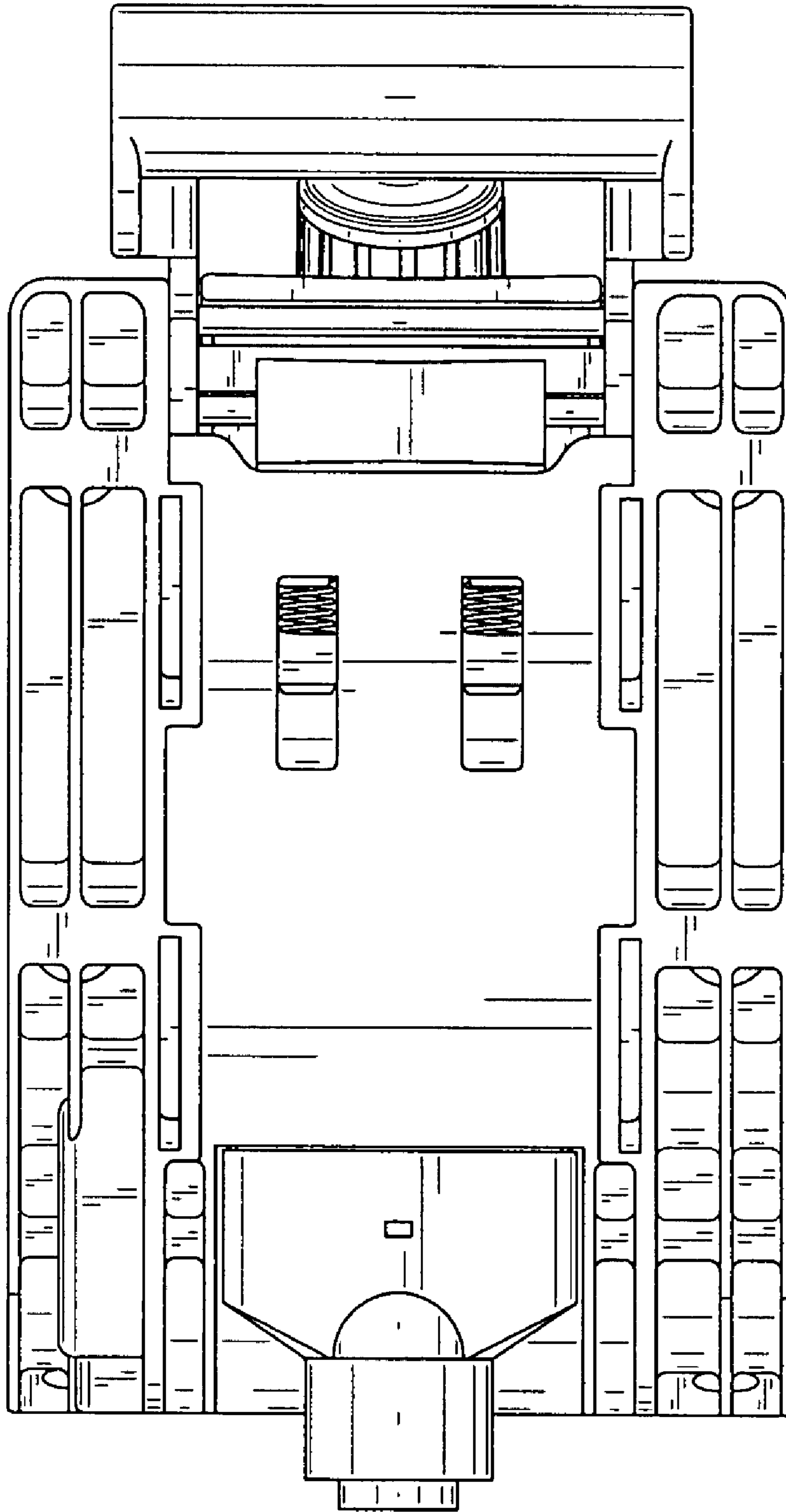


FIG. 7