

US00D567267S

(12) **United States Design Patent**
Minor

(10) **Patent No.:** **US D567,267 S**

(45) **Date of Patent:** **** Apr. 22, 2008**

(54) **ROTARY FLARING TOOL**

2007/0024104 A1* 2/2007 Monyak et al. 299/107
2007/0257545 A1* 11/2007 Mouthaan et al. 299/107

(76) Inventor: **Rodger D. Minor**, 1401 N. Sumner Rd., Bethpage, TN (US) 37022

* cited by examiner

(**) Term: **14 Years**

Primary Examiner—Sandra Snapp
Assistant Examiner—Patricia Palasik

(21) Appl. No.: **29/285,275**

(74) *Attorney, Agent, or Firm*—Michael E. McKee

(22) Filed: **Mar. 26, 2007**

(57) **CLAIM**

(51) **LOC (8) Cl.** **15-09**

The ornamental design for rotary flaring tool, as shown and described.

(52) **U.S. Cl.** **D15/138**

(58) **Field of Classification Search** D8/70,
D8/85, 86; D15/138, 139, 140; 81/177.85,
81/436, 441, 901; 279/143, 144, 145, 900,
279/902; 299/87.1, 106, 107, 109; 407/30;
408/143, 144, 153, 223, 239 A

See application file for complete search history.

DESCRIPTION

(56) **References Cited**

FIG. 1 is a front view of my rotary flaring tool showing my new design, the back view thereof being a mirror image;

FIG. 2 is right side view thereof, the left side view being a mirror image;

FIG. 3 is a top view thereof;

FIG. 4 is a bottom view thereof;

FIG. 5 is a front view of the rotary flaring tool of FIG. 1 shown with a nut removed from the shank end thereof, the back view thereof being a mirror image;

FIG. 6 is a right side view thereof, the left side view thereof being a mirror image;

FIG. 7 is a top view thereof; and,

FIG. 8 is a bottom view thereof.

U.S. PATENT DOCUMENTS

| | | | | |
|-------------------|---------|---------------|-------|---------|
| D47,199 S * | 4/1915 | Procurier | | D15/140 |
| D166,544 S * | 4/1952 | Loecy, Jr. | | D15/139 |
| 4,629,013 A * | 12/1986 | Kruger et al. | | 175/320 |
| D347,232 S * | 5/1994 | Massa et al. | | D15/139 |
| D387,072 S * | 12/1997 | Ojanen | | D15/139 |
| 6,000,153 A * | 12/1999 | Sollami | | 299/106 |
| 6,244,665 B1 * | 6/2001 | Bise et al. | | 299/106 |
| 6,508,516 B1 * | 1/2003 | Kammerer | | 299/106 |
| D477,516 S * | 7/2003 | Dollar et al. | | D8/70 |
| D520,035 S * | 5/2006 | Kammerer | | D15/139 |
| 2004/0004389 A1 * | 1/2004 | Latham | | 299/107 |

1 Claim, 2 Drawing Sheets

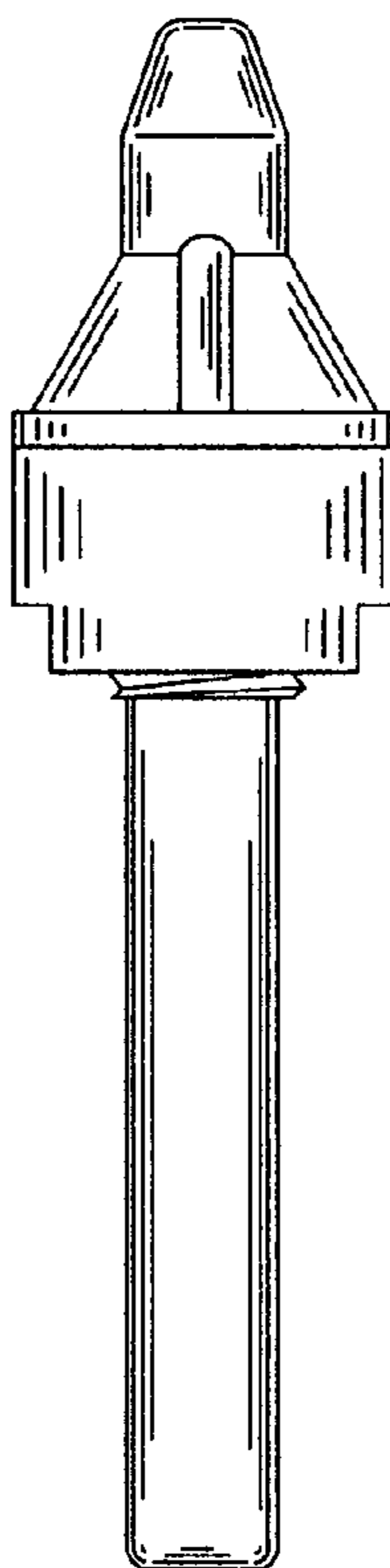


FIG. 1

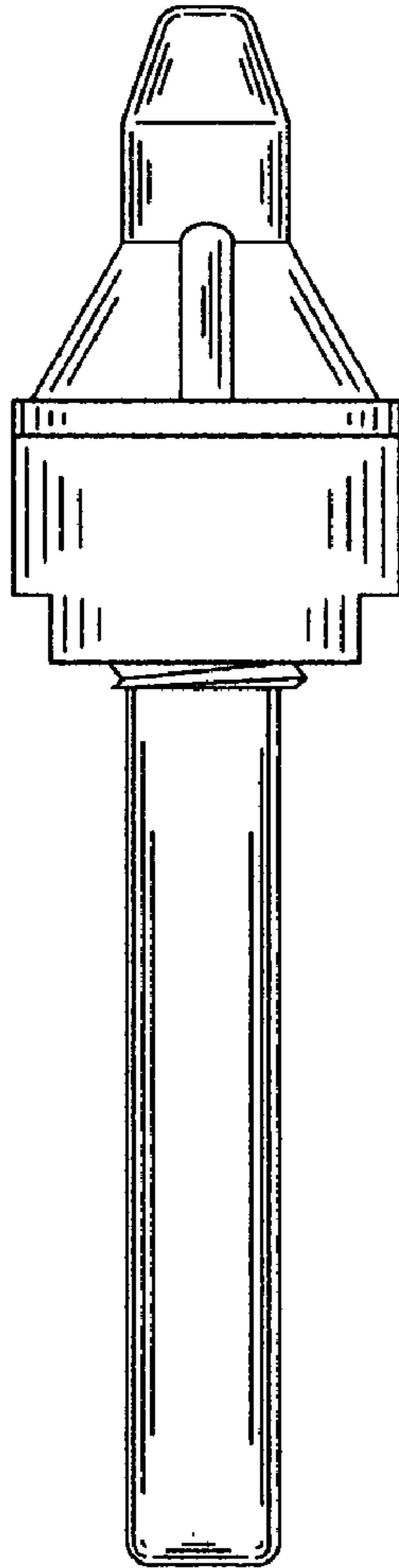


FIG. 2

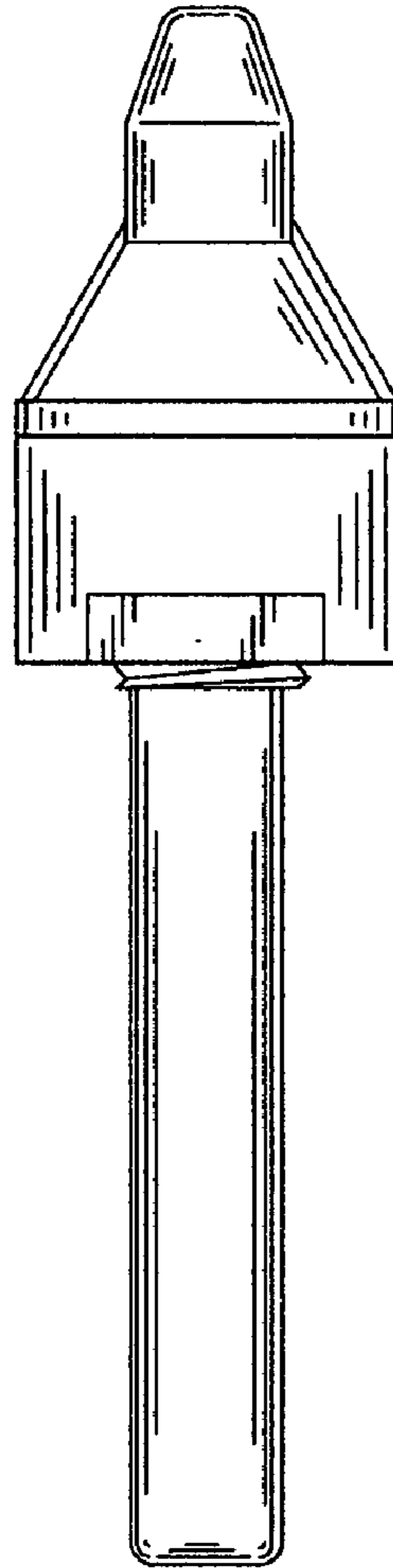


FIG. 3

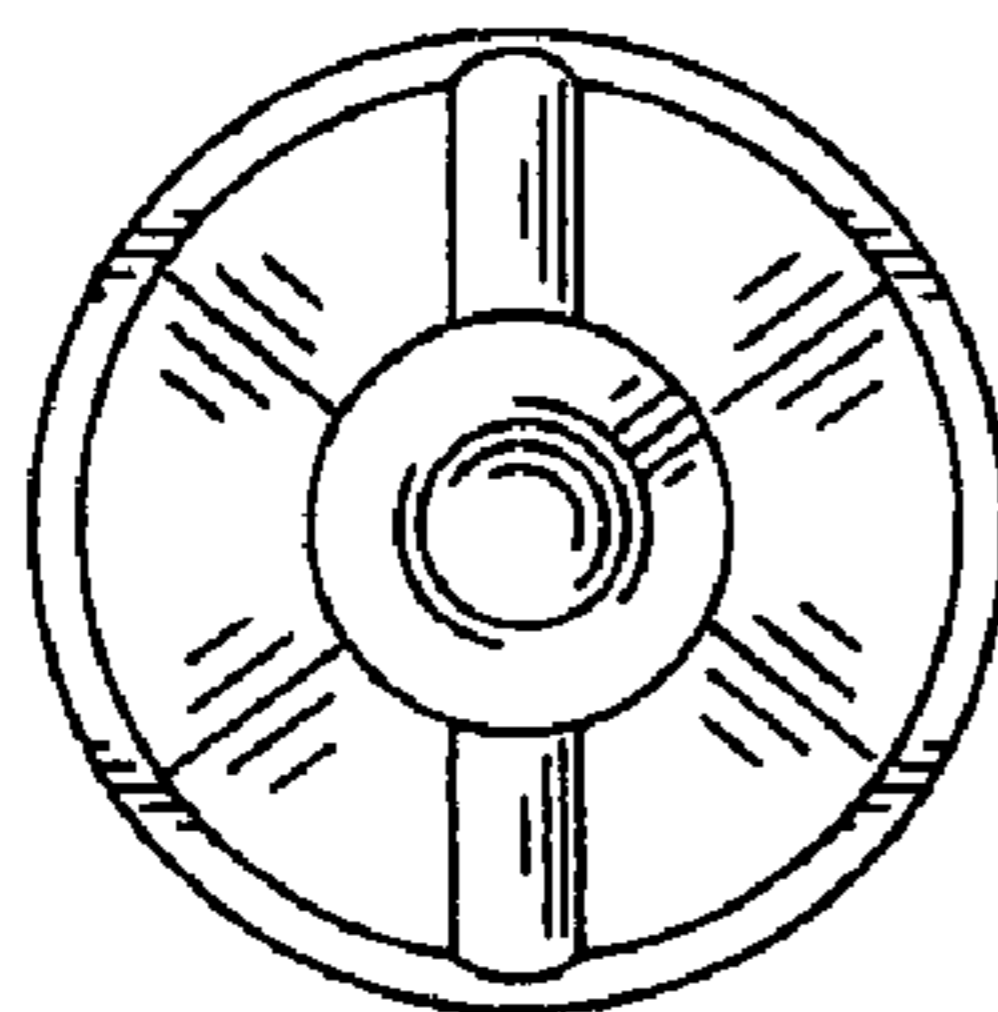


FIG. 4

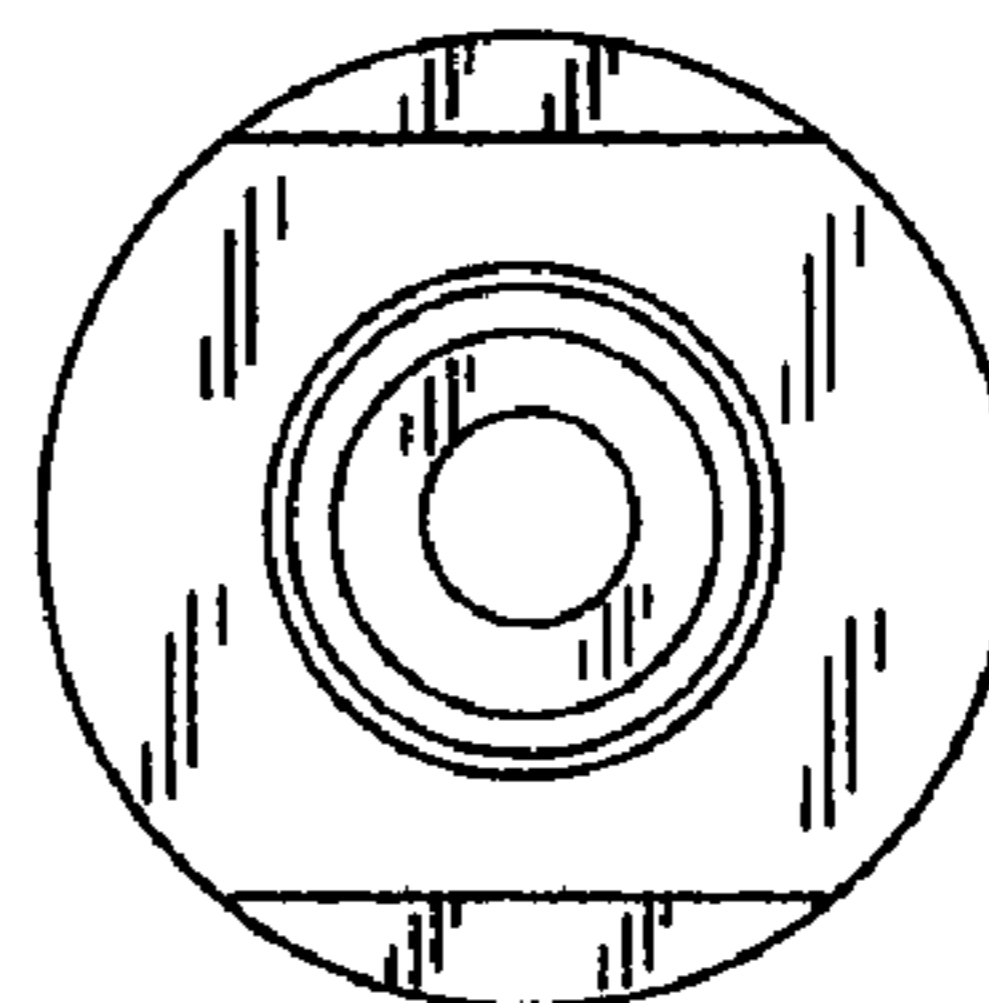


FIG. 5

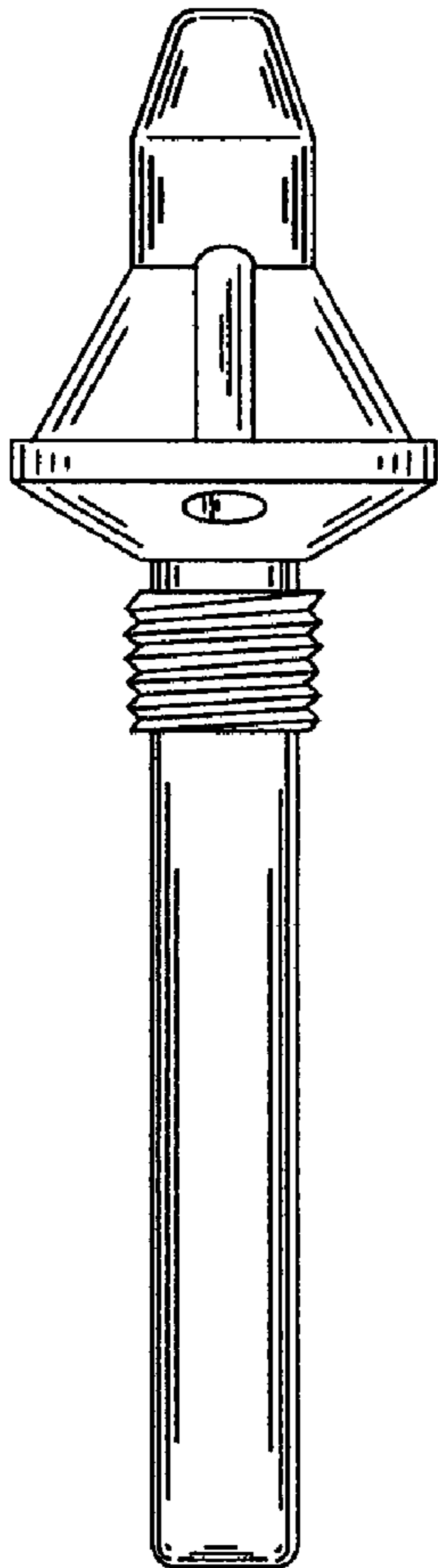


FIG. 6

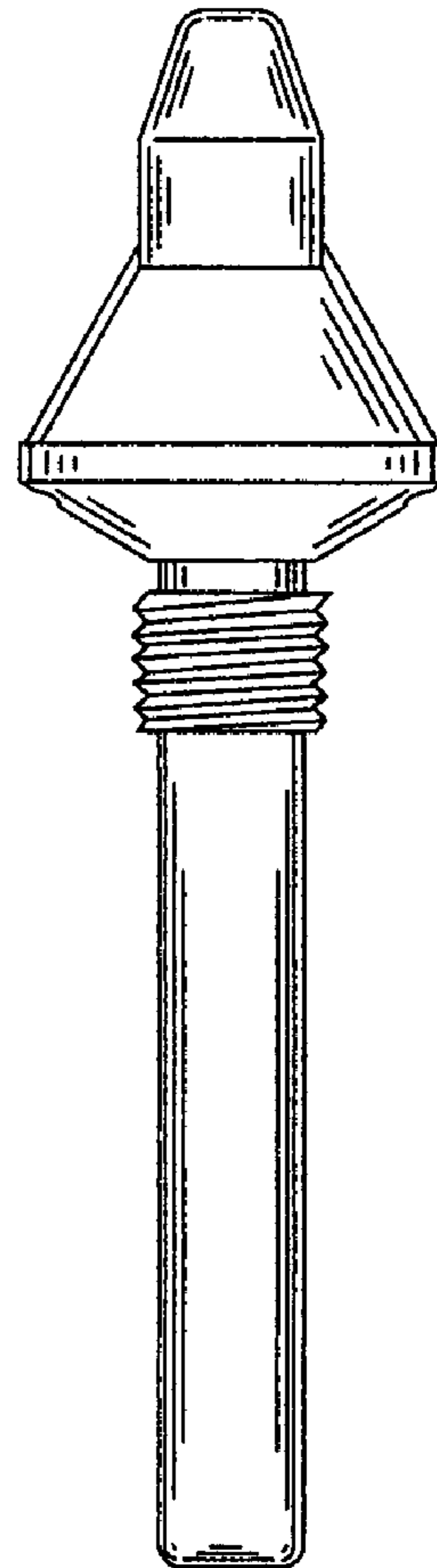


FIG. 7

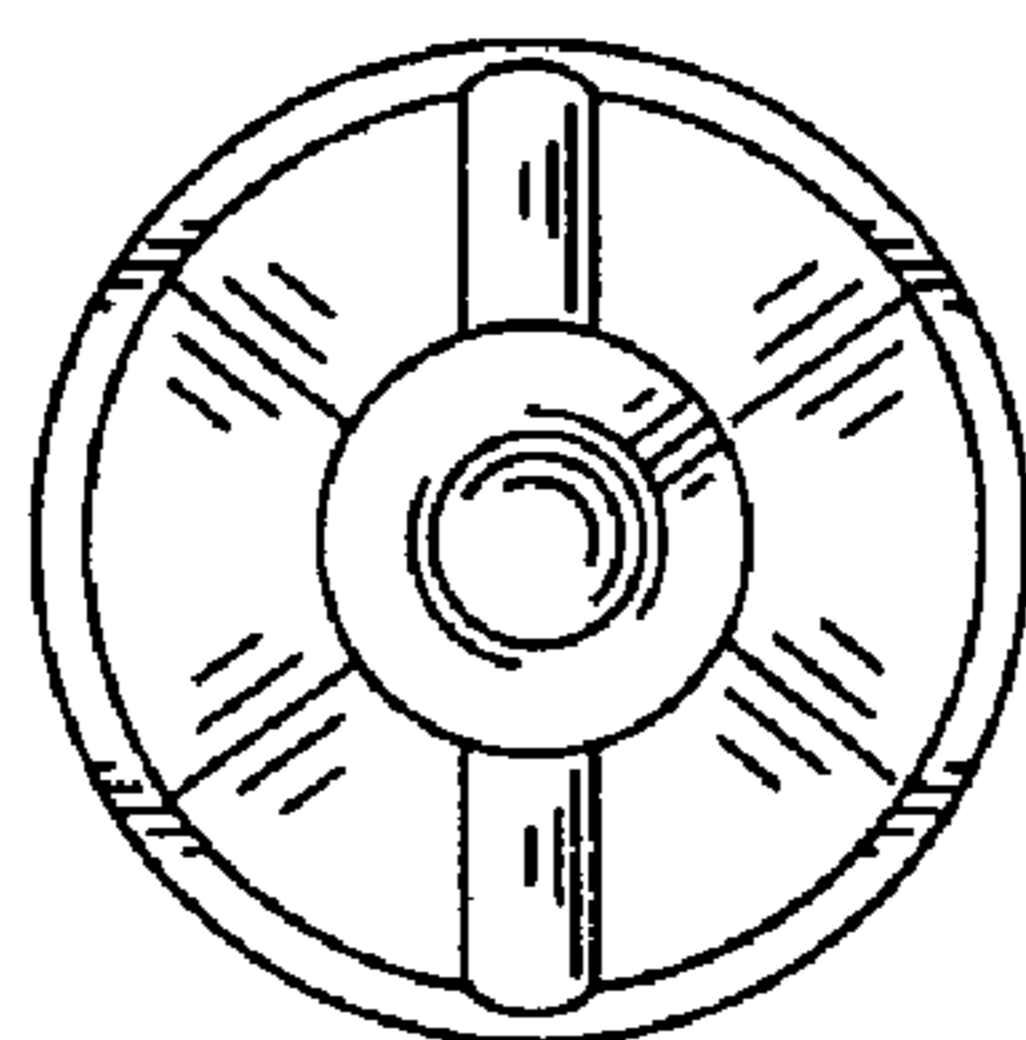


FIG. 8

