



US00D567266S

(12) **United States Design Patent**
Leasure

(10) **Patent No.:** **US D567,266 S**

(45) **Date of Patent:** **** Apr. 22, 2008**

(54) **PLANER**

(75) Inventor: **Jeremy D. Leasure**, Jackson, TN (US)

(73) Assignee: **Black & Decker Inc.**, Newark, DE (US)

(**) Term: **14 Years**

(21) Appl. No.: **29/288,968**

(22) Filed: **Jun. 28, 2007**

(51) **LOC (8) Cl.** **15-09**

(52) **U.S. Cl.** **D15/125**

(58) **Field of Classification Search** D15/124, D15/125, 127; 144/112.1, 114 R, 117 R, 144/124, 129, 130, 144.1, 154.5, 218, 225, 144/228, 230, 242.5, 245.1, 246.1, 250.2, 144/252.1, 253.2, 253.8

See application file for complete search history.

(56) **References Cited**

U.S. PATENT DOCUMENTS

3,913,642 A	10/1975	Porter	
D285,083 S	8/1986	Miyamoto	
D311,192 S	10/1990	Juang	
D397,122 S	8/1998	Welsh	
D430,175 S	8/2000	Hayakawa et al.	
D438,547 S	3/2001	Wang	
D442,610 S	5/2001	Chang	
D442,976 S	5/2001	Chin-Feng	
D444,481 S	7/2001	Hoshino	
D445,435 S	7/2001	Chiang	
6,283,181 B1	9/2001	Chiang	
6,289,950 B1	9/2001	Chiang	
6,308,755 B1 *	10/2001	Chiang 144/130
D453,526 S	2/2002	Chang	

D453,941 S	2/2002	Chang	
D460,089 S	7/2002	Garcia et al.	
D471,569 S	3/2003	Wang	
D472,907 S	4/2003	Liao et al.	
D474,786 S	5/2003	Chuang	
D477,002 S	7/2003	Wang	
D488,173 S	4/2004	Wang	
6,789,588 B2 *	9/2004	Liao et al. 144/252.1
D546,846 S *	7/2007	Thackery et al. D15/124
D551,686 S *	9/2007	Leasure D15/124
2003/0188803 A1 *	10/2003	Liao et al. 144/252.1
2005/0039823 A1	2/2005	Chuang	
2005/0224140 A1 *	10/2005	Garcia et al. 144/129
2007/0186996 A1 *	8/2007	Thackery et al. 144/252.1

* cited by examiner

Primary Examiner—Antoine D. Davis

Assistant Examiner—Patricia Palasik

(74) *Attorney, Agent, or Firm*—Mehul R. Jani; Adan Ayala; Charles Yocum

(57) **CLAIM**

The ornamental design for a planer, as shown and described.

DESCRIPTION

FIG. 1 is a perspective view of a planer showing the new design.

FIG. 2 is a front view thereof.

FIG. 3 is a rear view thereof.

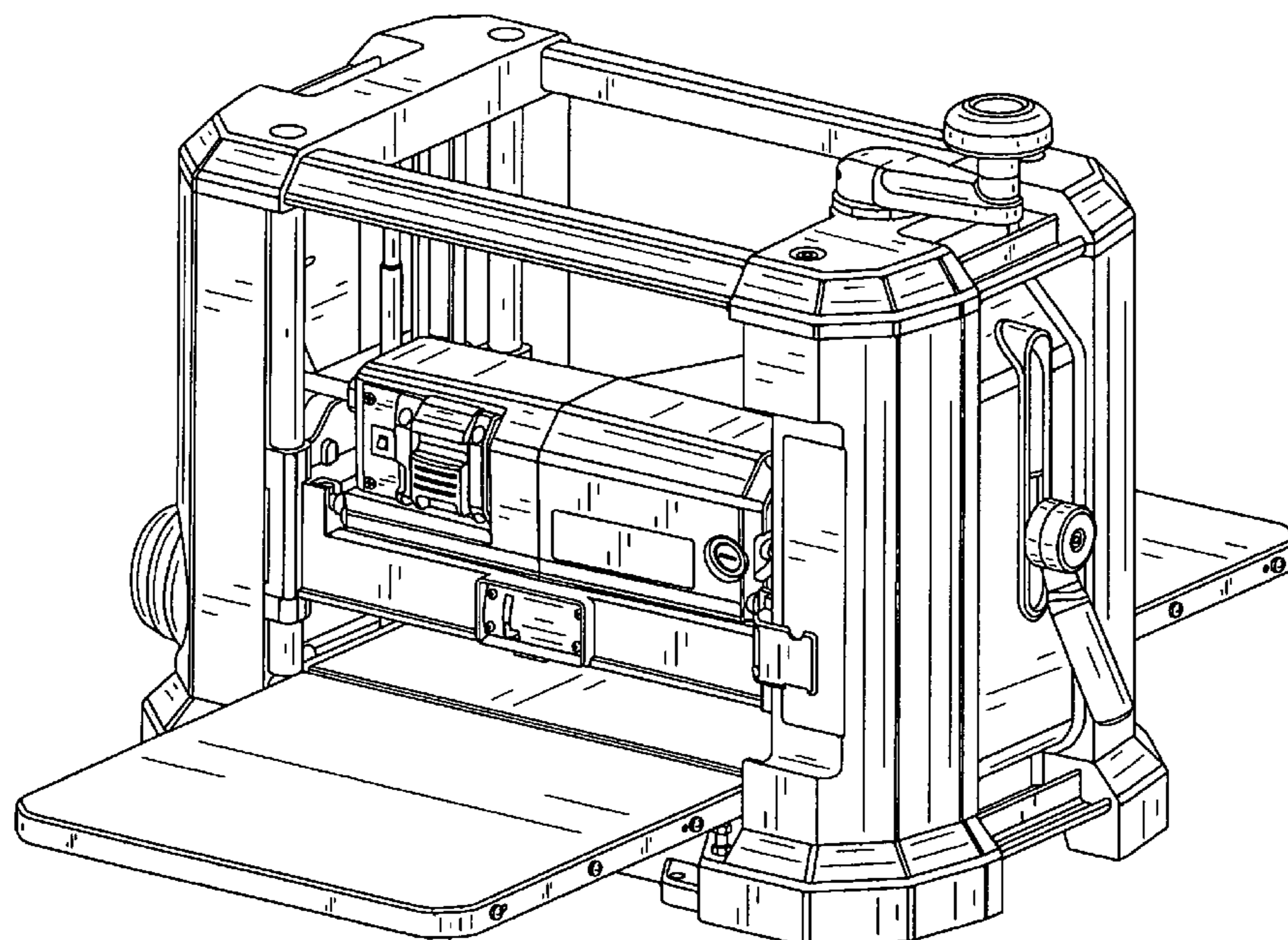
FIG. 4 is a right side view thereof.

FIG. 5 is a left side view thereof.

FIG. 6 is a top plan view thereof; and,

FIG. 7 is a bottom plan view thereof.

1 Claim, 7 Drawing Sheets



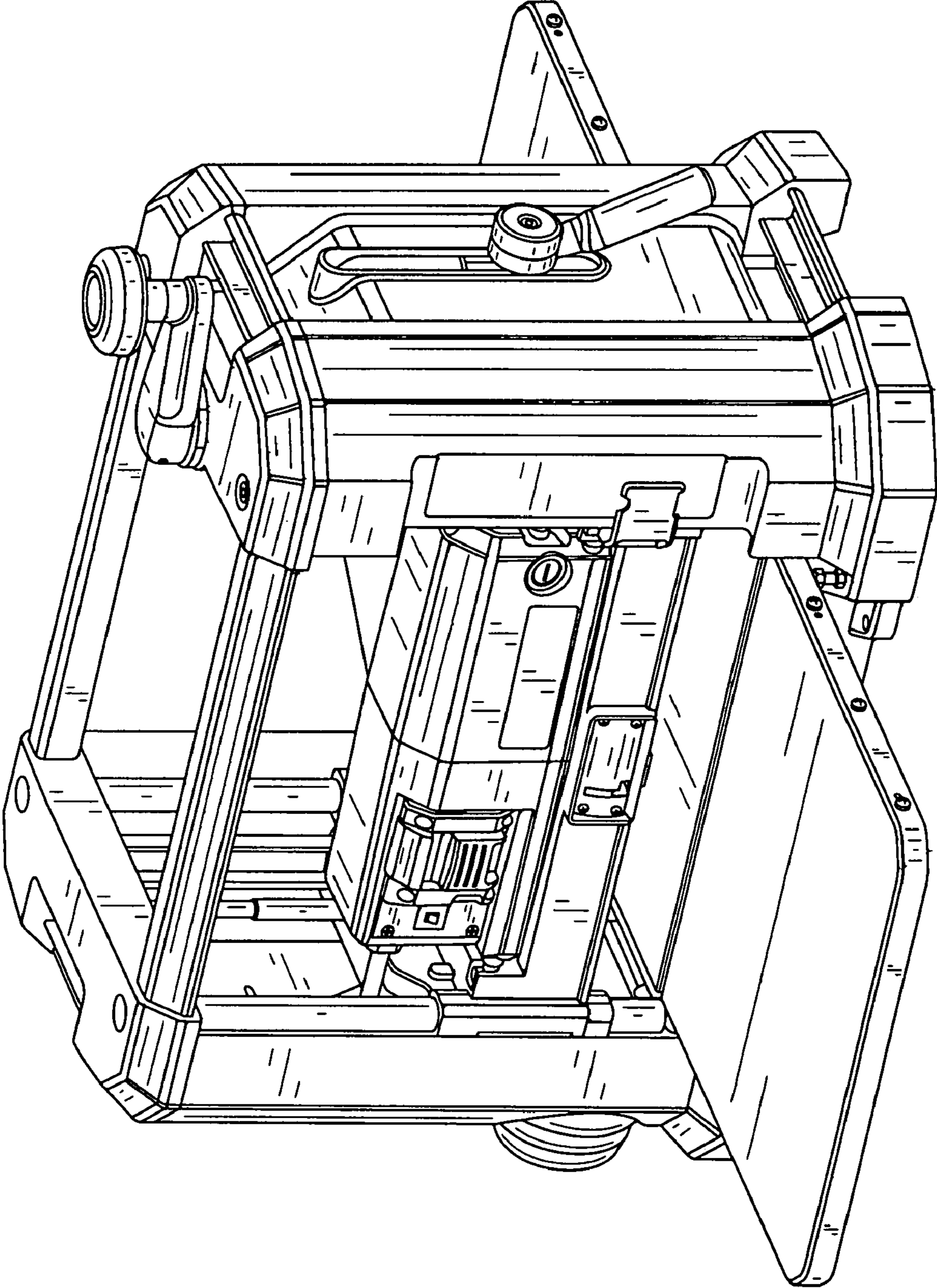


FIG. 1

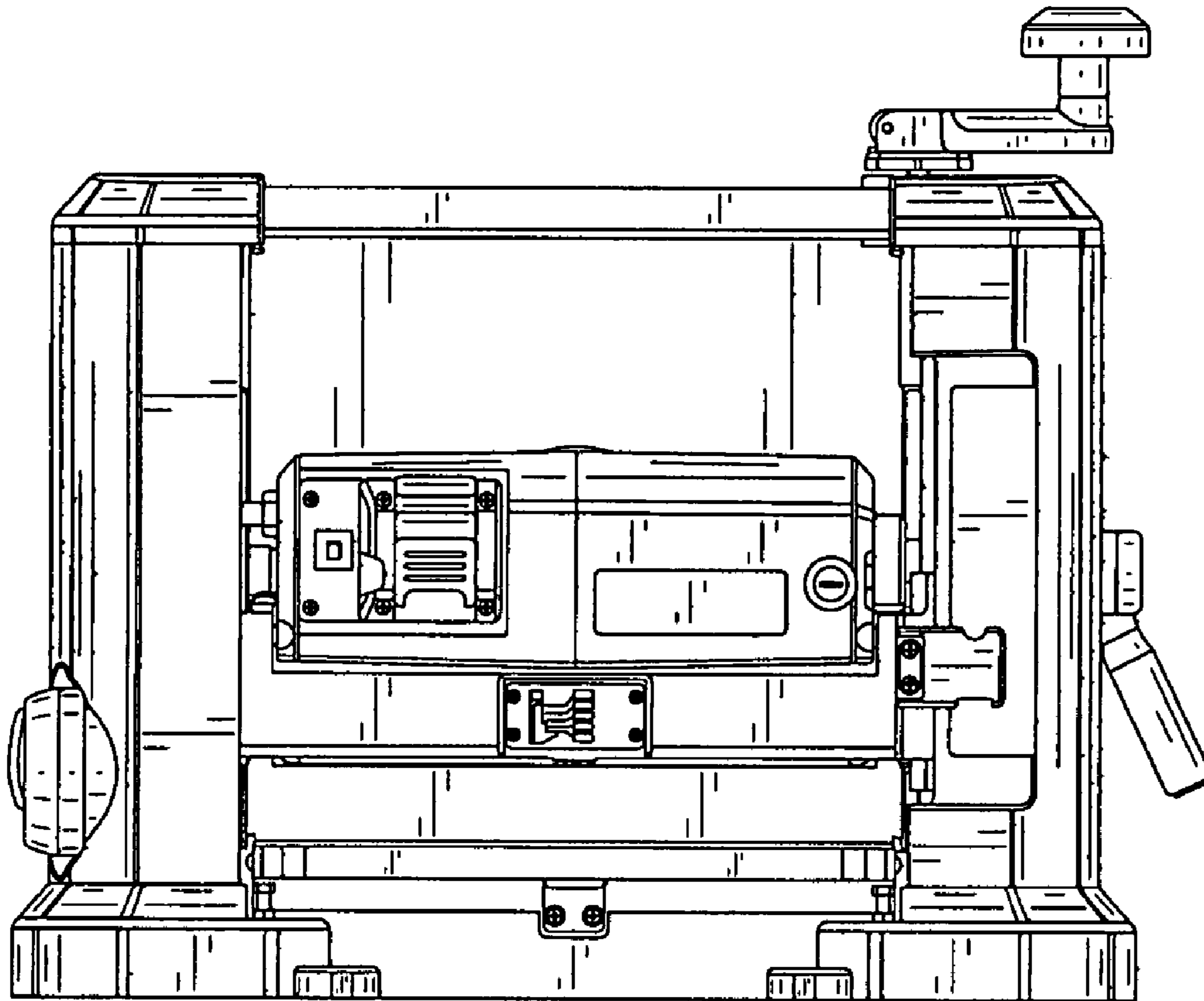


FIG. 2

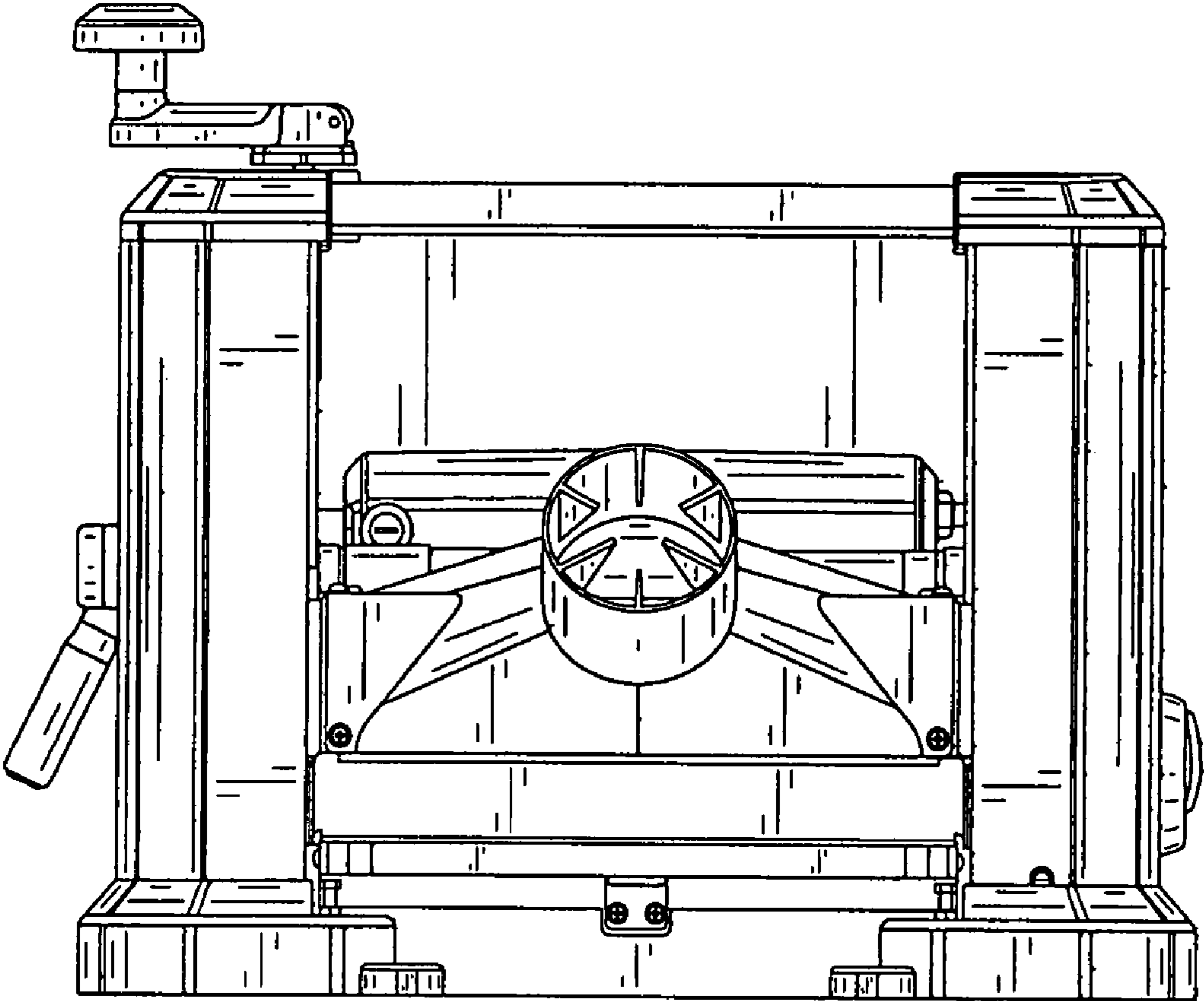


FIG. 3

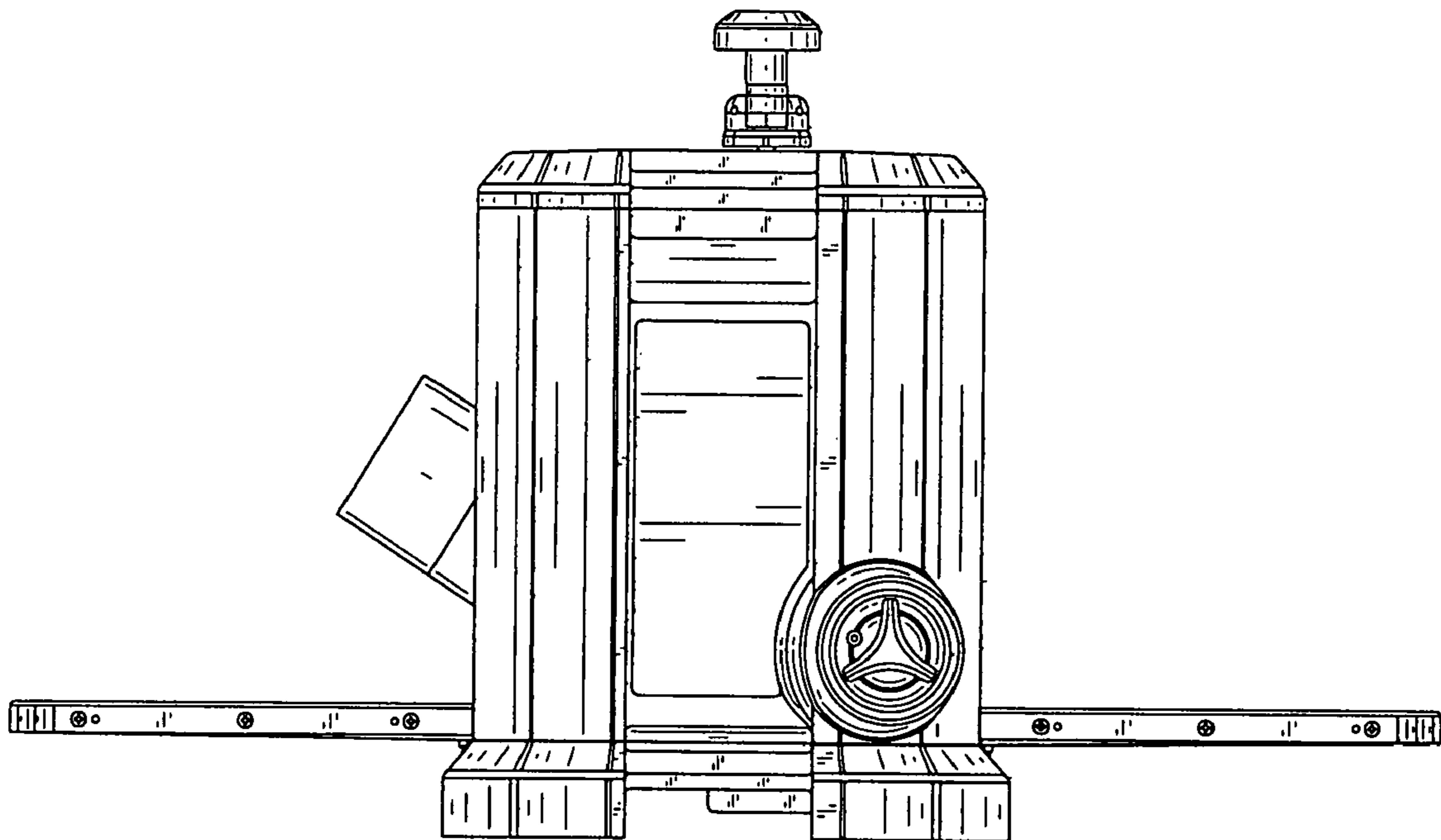


FIG. 4

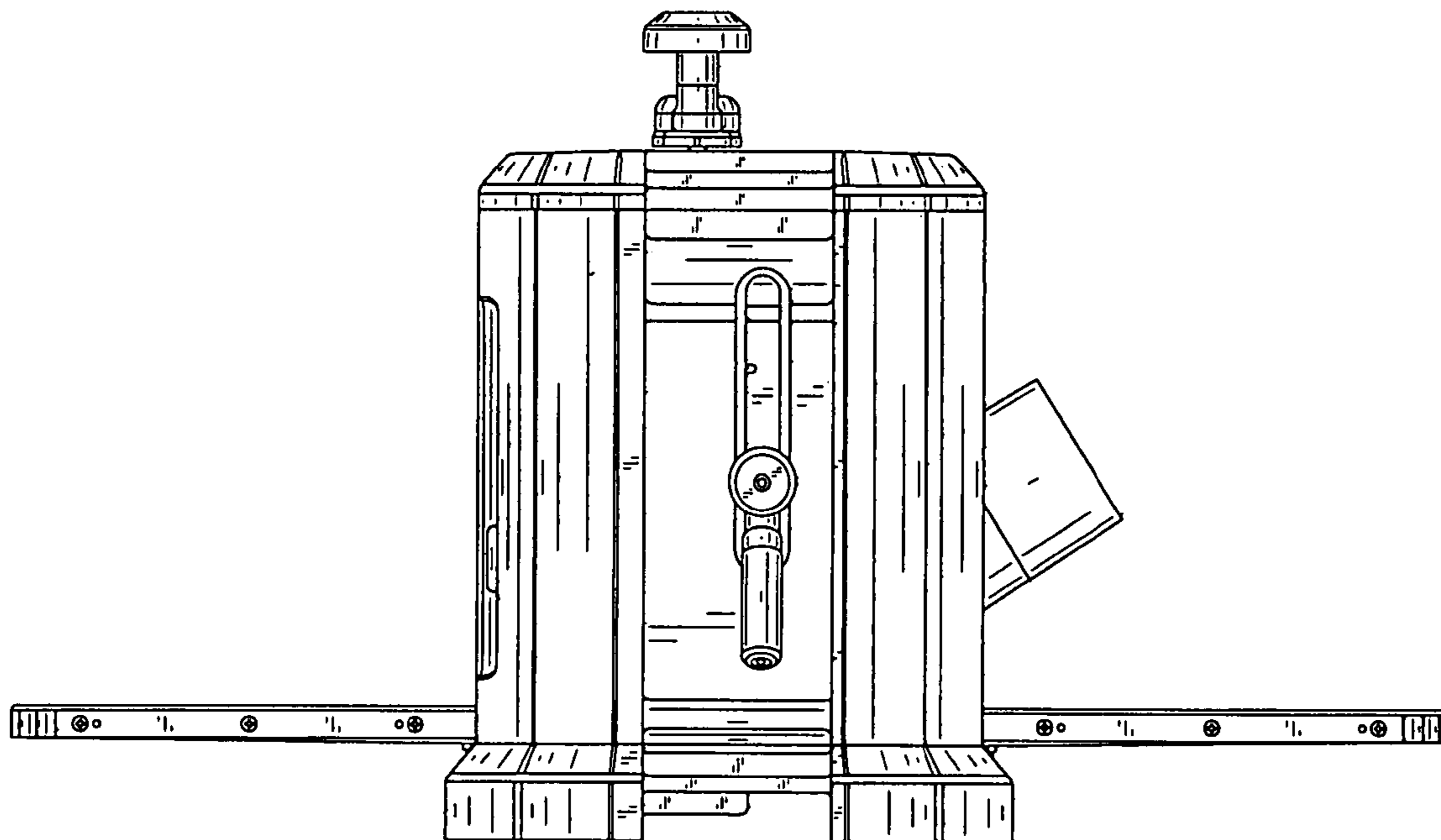


FIG. 5

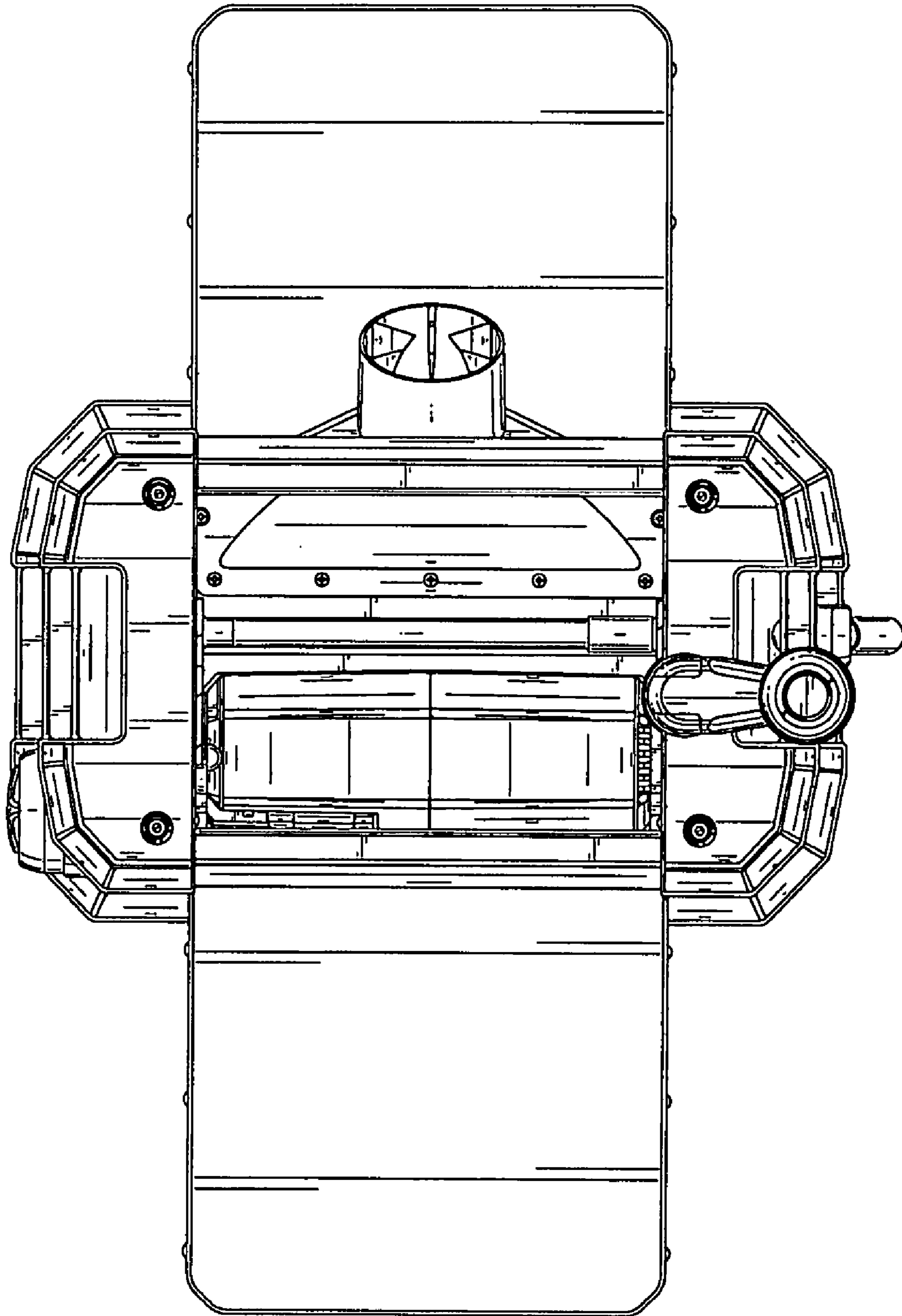


FIG. 6

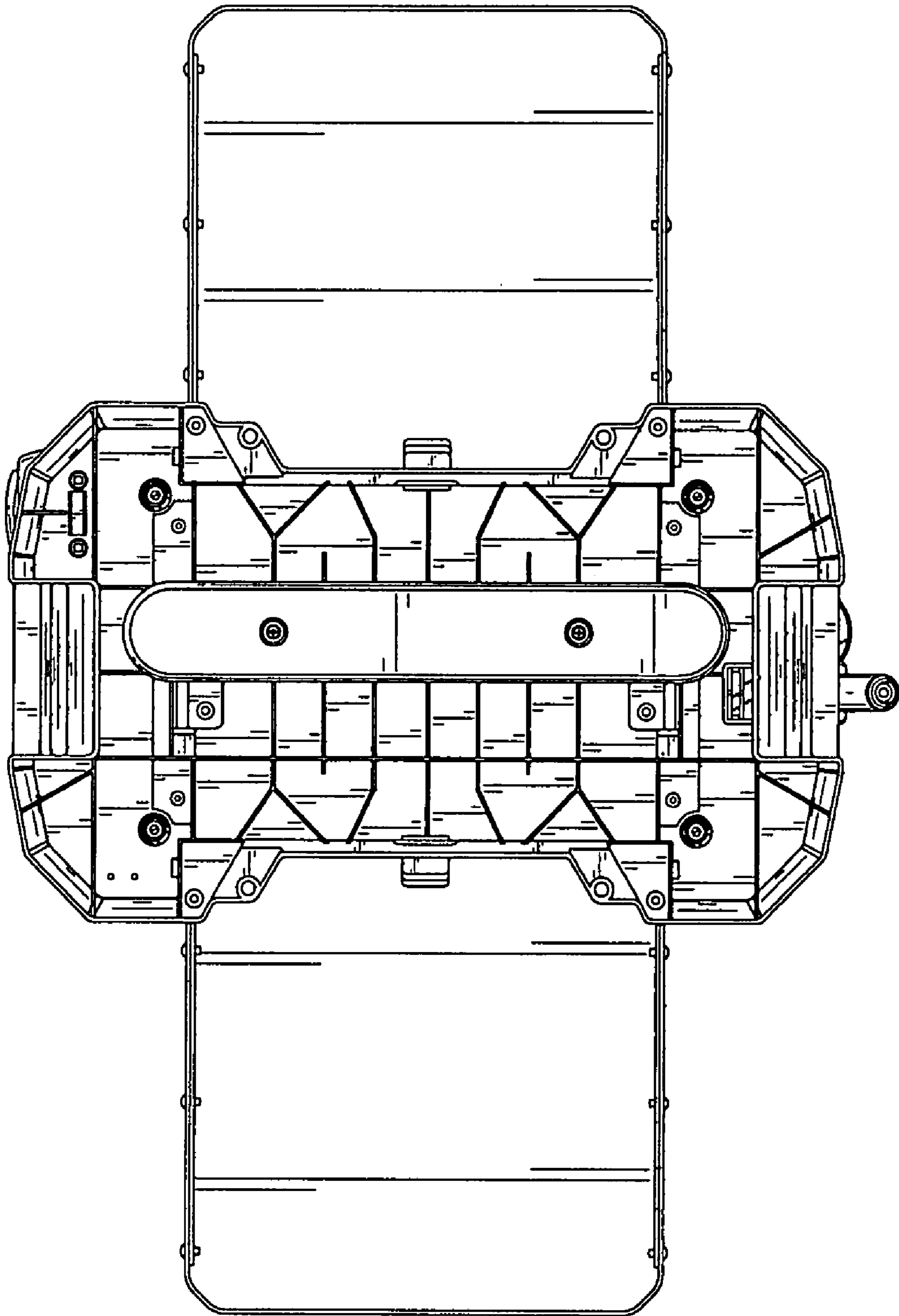


FIG. 7