



US00D567265S

(12) **United States Design Patent**
Leasure et al.

(10) **Patent No.:** **US D567,265 S**

(45) **Date of Patent:** **** Apr. 22, 2008**

(54) **PLANER**

(75) Inventors: **Jeremy D. Leasure**, Jackson, TN (US);
Robert P. Welsh, Phoenix, MD (US)

(73) Assignee: **Black & Decker Inc.**, Newark, DE
(US)

(**) Term: **14 Years**

(21) Appl. No.: **29/288,677**

(22) Filed: **Jun. 19, 2007**

(51) **LOC (8) Cl.** **15-09**

(52) **U.S. Cl.** **D15/125**

(58) **Field of Classification Search** D15/124,
D15/125, 127; 144/112.1, 114 R, 117 R,
144/124, 129, 130, 144.1, 154.5, 218, 225,
144/228, 230, 242.5, 245.1, 246.1, 250.2,
144/252.1, 253.2, 253.8

See application file for complete search history.

(56) **References Cited**

U.S. PATENT DOCUMENTS

- 2,238,704 A * 4/1941 Miller D15/124
- 2,637,396 A * 5/1953 Spiller et al. 144/252.1
- 2,792,036 A * 5/1957 Buttke 144/252.1
- 3,913,642 A 10/1975 Porter
- D285,083 S 8/1986 Miyamoto
- D306,171 S * 2/1990 Kronthaler D15/127
- D311,192 S 10/1990 Juang
- D397,122 S 8/1998 Welsh
- D430,175 S 8/2000 Hayakawa et al.
- D438,547 S 3/2001 Wang
- D442,610 S 5/2001 Chang
- D442,976 S 5/2001 Chin-Feng
- D444,481 S 7/2001 Hoshino
- D445,435 S 7/2001 Chiang

- 6,283,181 B1 9/2001 Chiang
- 6,289,950 B1 9/2001 Chiang
- D453,526 S 2/2002 Chang
- D453,941 S 2/2002 Chang
- D460,089 S 7/2002 Garcia et al.
- D471,569 S 3/2003 Wang
- D472,907 S 4/2003 Liao et al.
- D474,786 S 5/2003 Chuang
- D477,002 S 7/2003 Wang
- D488,173 S 4/2004 Wang
- D546,845 S * 7/2007 Netzler D15/124
- 2004/0050451 A1 * 3/2004 Dahlhoff 144/144.1
- 2005/0039823 A1 2/2005 Chuang
- 2005/0194063 A1 * 9/2005 Bettacchini 144/253.1
- 2007/0245870 A1 * 10/2007 Chuang 83/471.3

* cited by examiner

Primary Examiner—Antoine D. Davis

Assistant Examiner—Patricia Palasik

(74) *Attorney, Agent, or Firm*—Mēhul R. Jani; Adan Ayala;
Charles Yocum

(57) **CLAIM**

The ornamental design for a planer, as shown and described.

DESCRIPTION

FIG. 1 is a perspective view of a planer showing the new design.

FIG. 2 is a right side view thereof.

FIG. 3 is left side view thereof.

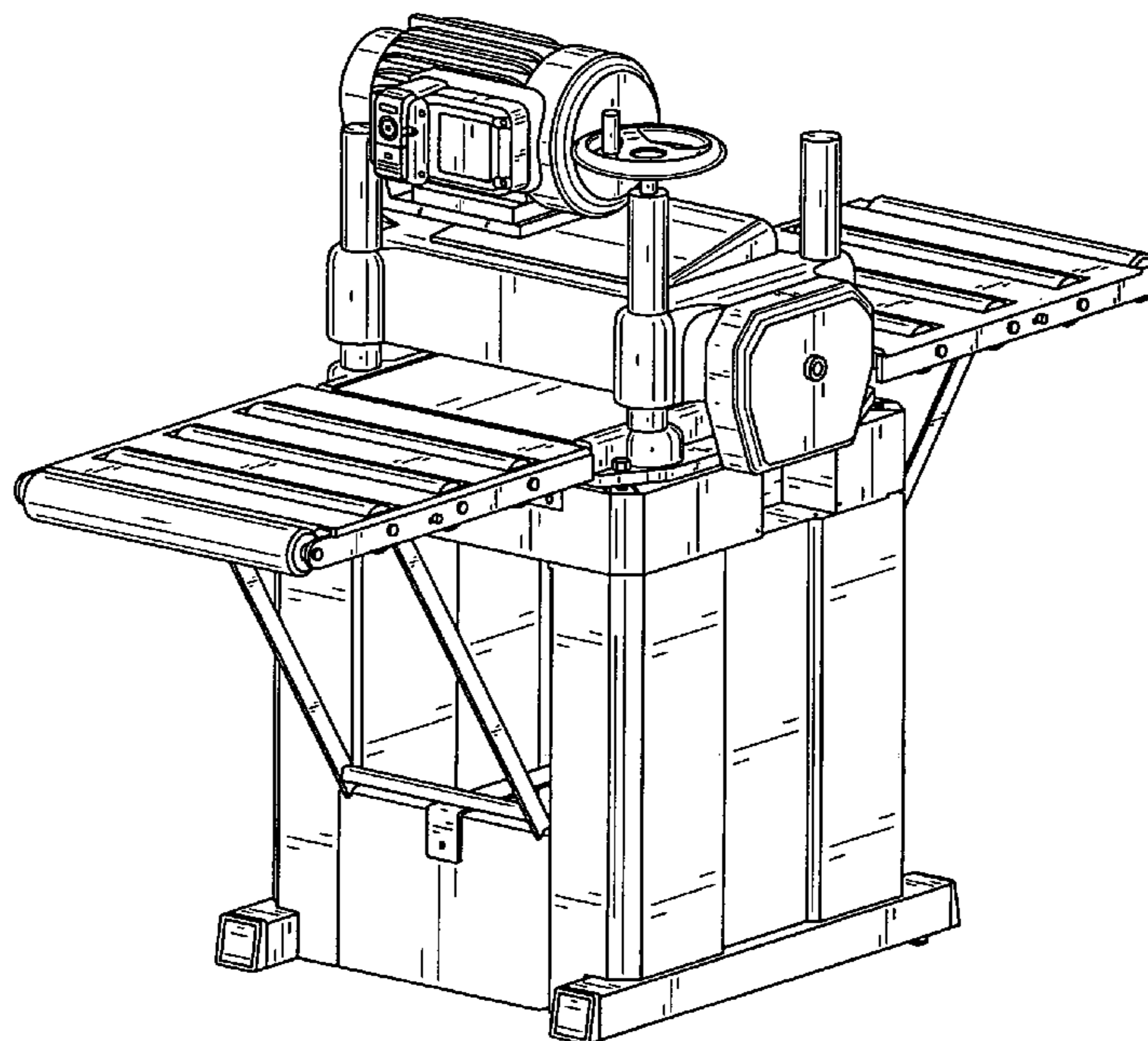
FIG. 4 is a front view thereof.

FIG. 5 is a rear view thereof.

FIG. 6 is a top plan view thereof; and,

FIG. 7 is a bottom plan view thereof.

1 Claim, 6 Drawing Sheets



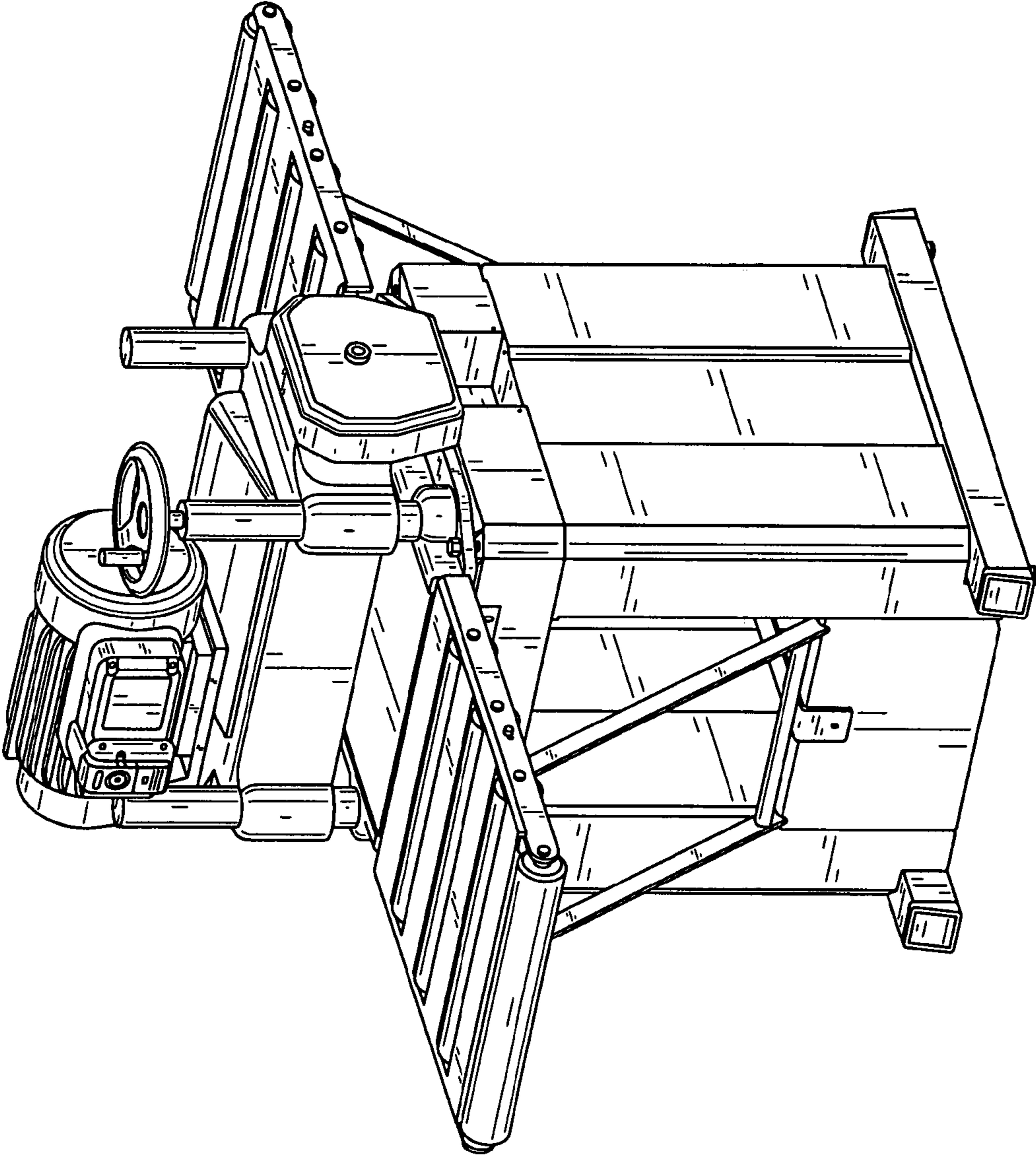


FIG. 1

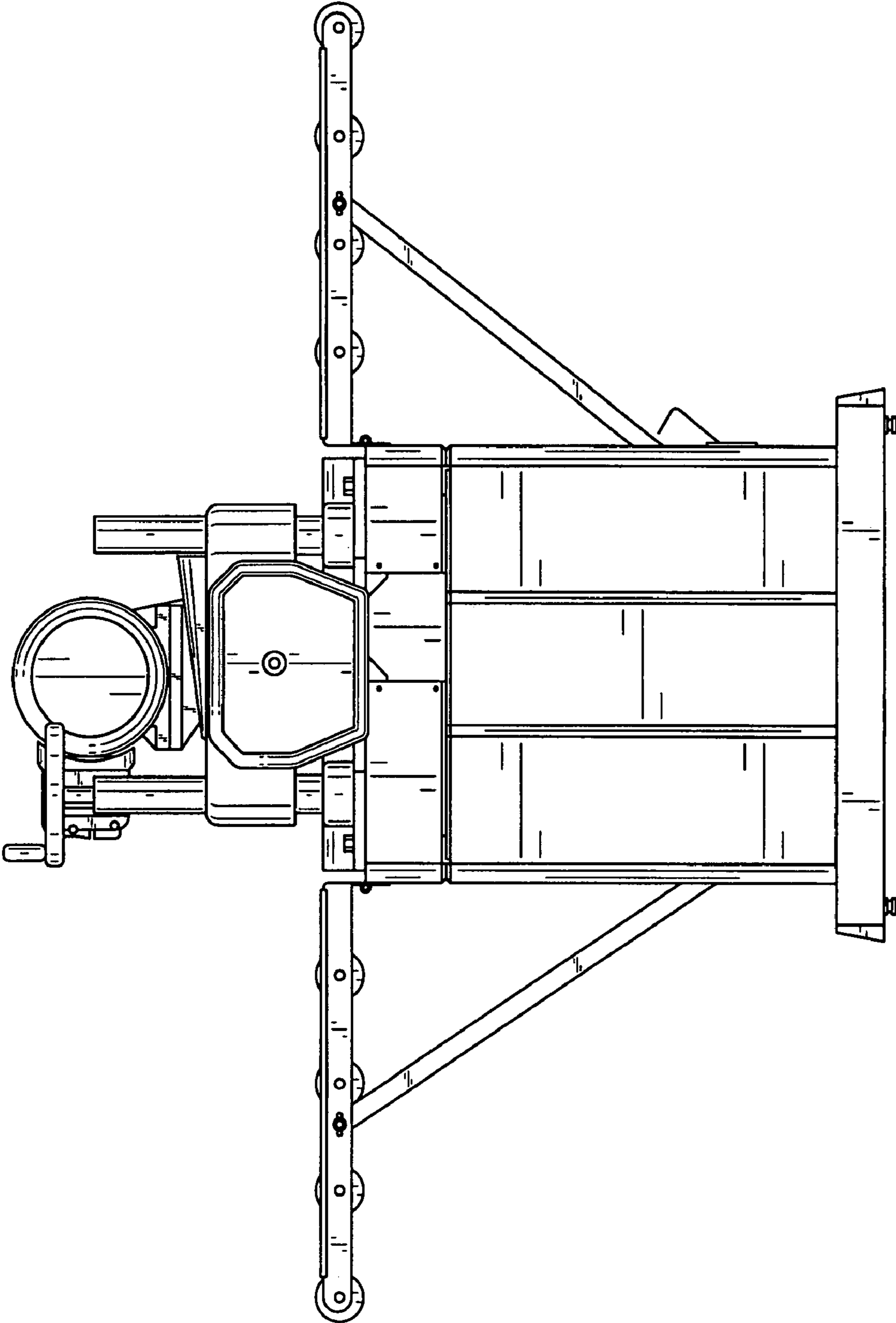


FIG. 2

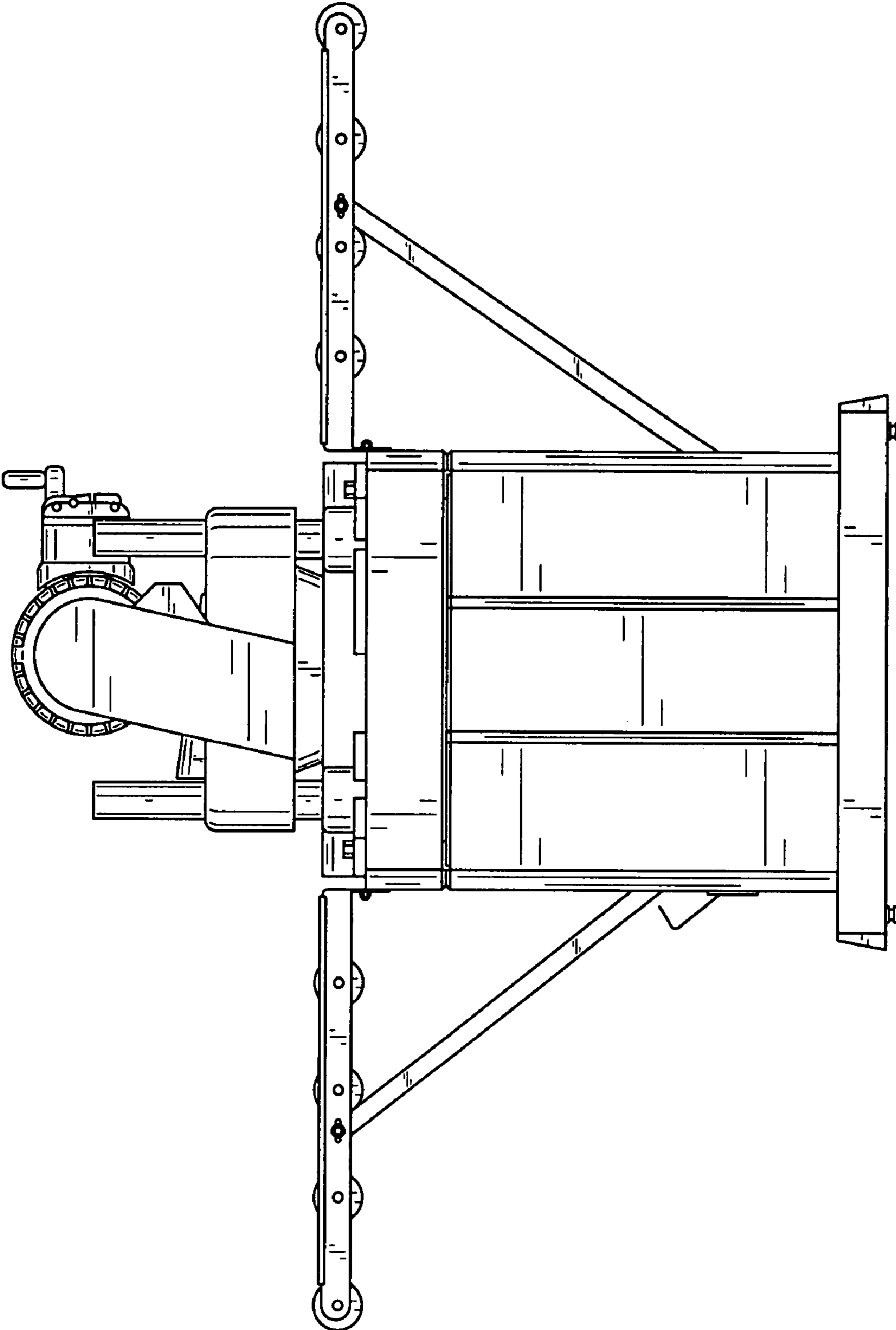


FIG. 3

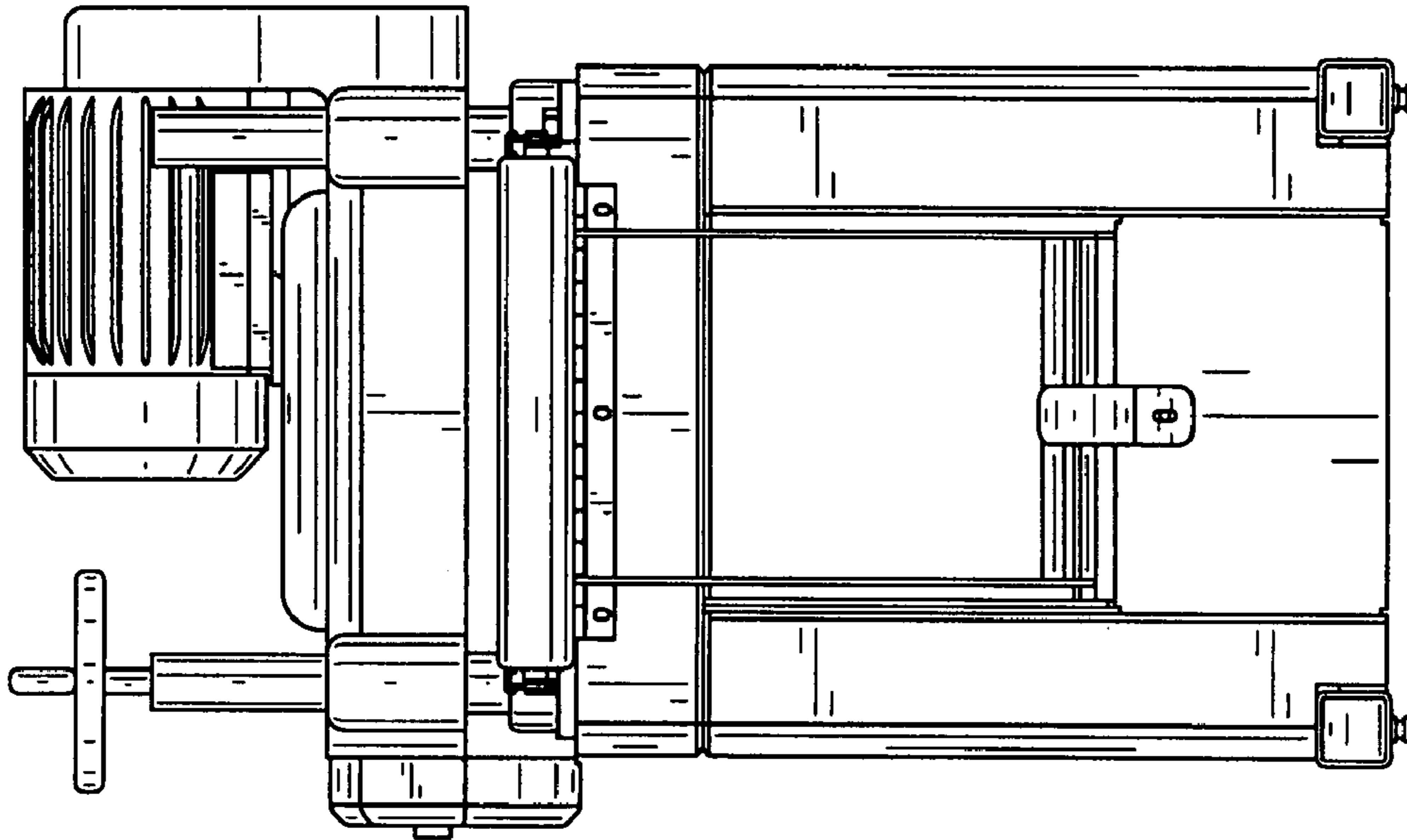


FIG. 5

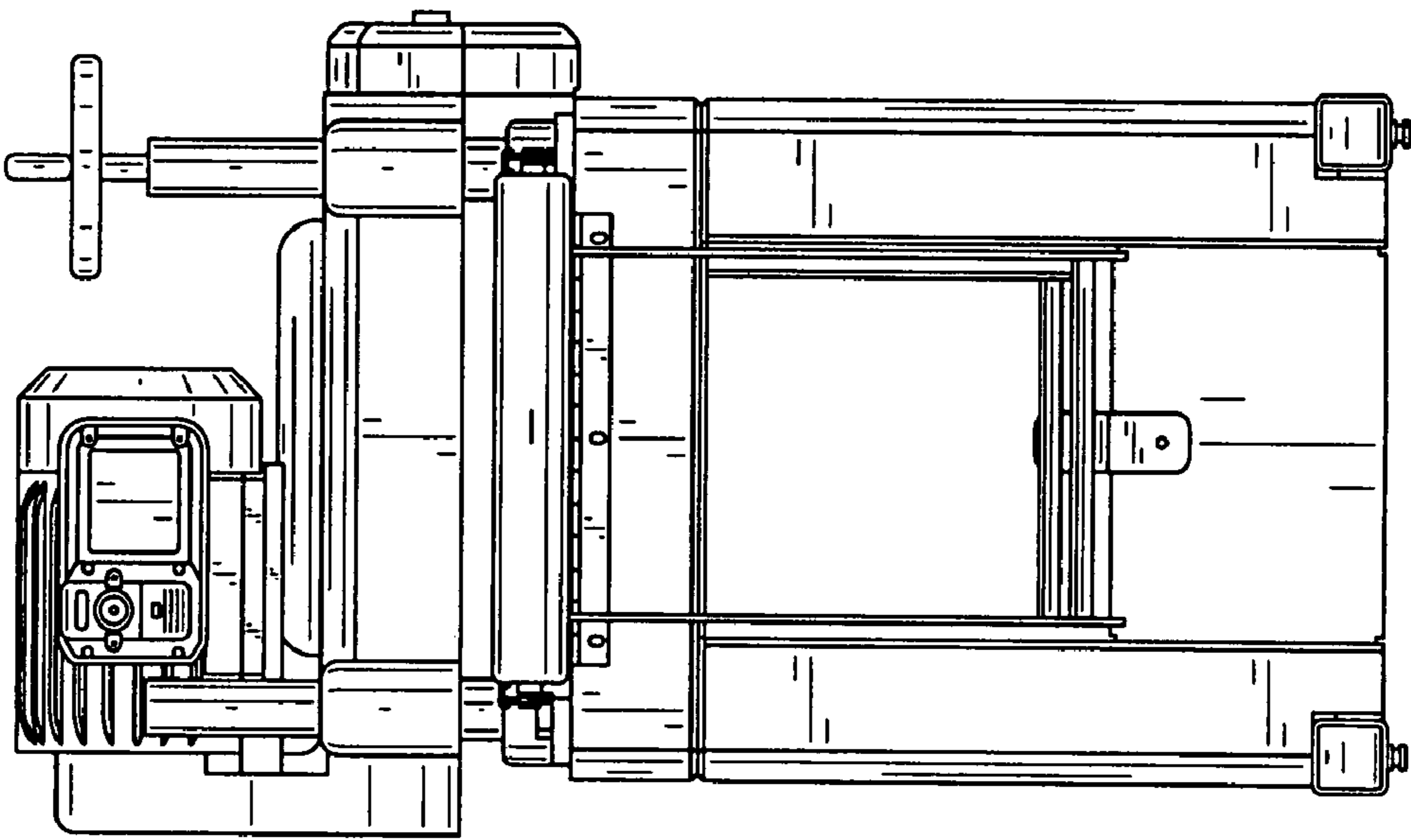


FIG. 4

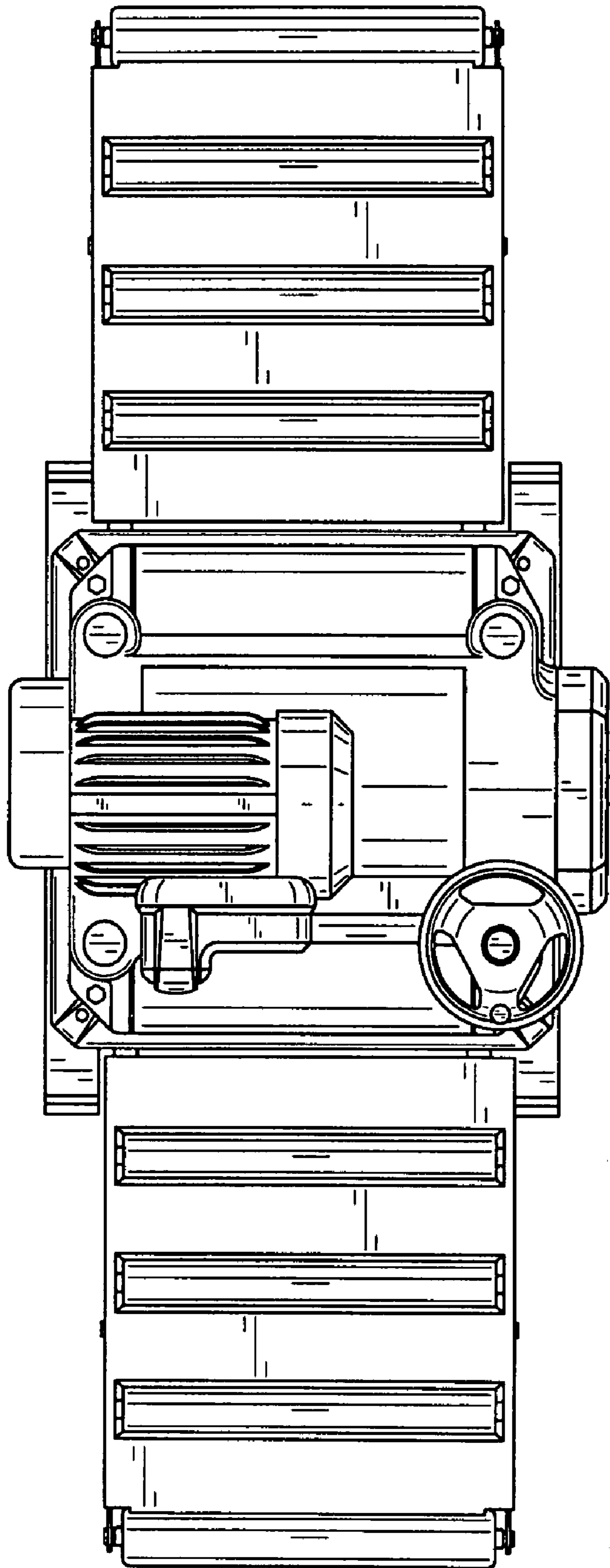


FIG. 6

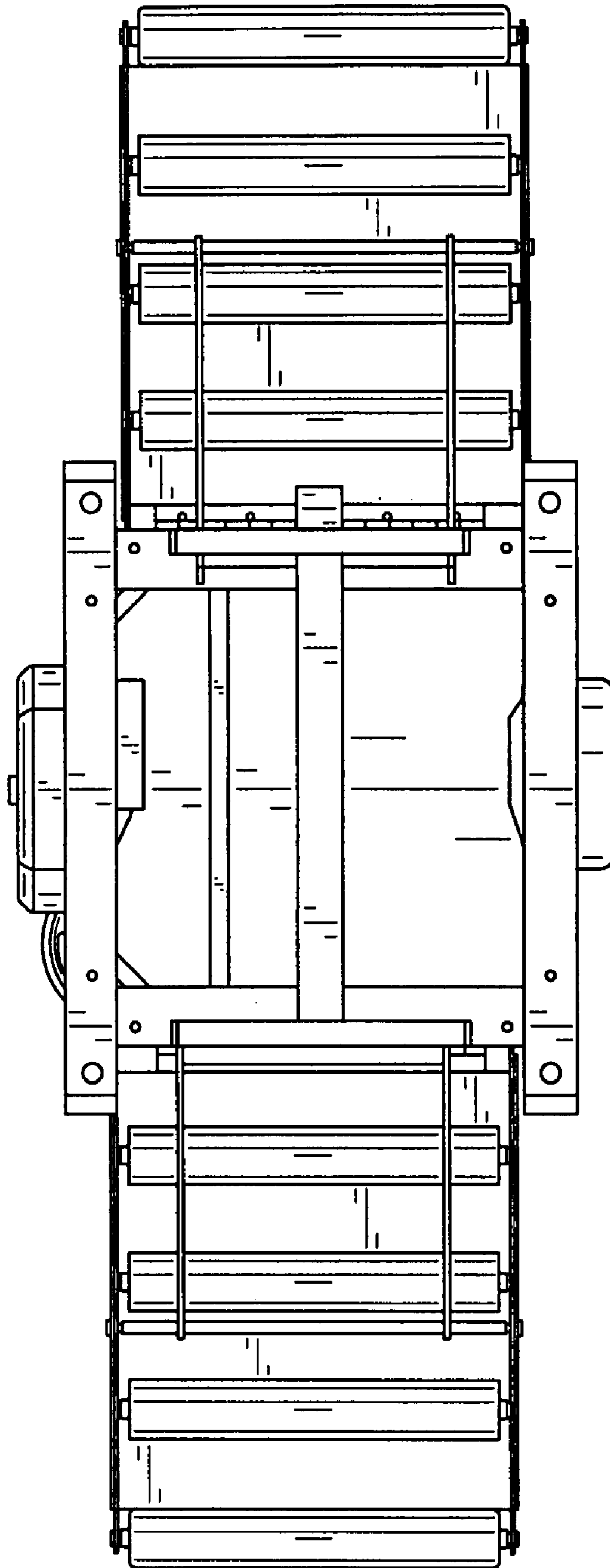


FIG. 7