



US00D567264S

(12) **United States Design Patent**
Müller et al.

(10) **Patent No.:** **US D567,264 S**
(45) **Date of Patent:** **** Apr. 22, 2008**

(54) **COATING MACHINE**

(57) **CLAIM**

(75) Inventors: **Robert Müller**, Schwabach (DE);
Werner Hawran, Roth (DE)

The ornamental design for a coating machine, as shown and described.

(73) Assignee: **Glatt Maschinen-und Apparatebau AG**, Pratteln (CH)

DESCRIPTION

(**) Term: **14 Years**

FIG. 1 is a front elevation view of a coating machine according to our new design;

(21) Appl. No.: **29/261,270**

FIG. 2 is a rear elevation view of the coating machine of FIG. 1;

(22) Filed: **Jun. 9, 2006**

FIG. 3 is a left side view of the coating machine of FIG. 1;

(51) **LOC (8) Cl.** **15-09**

FIG. 4 is a right side view of the coating machine of FIG. 1;

(52) **U.S. Cl.** **D15/122**

FIG. 5 is a top view of the coating machine of FIG. 1;

(58) **Field of Classification Search** D15/199,
D15/122, 124; 118/64, 309, 310, 324, 300
See application file for complete search history.

FIG. 6 is a bottom view of the coating machine of FIG. 1;

FIG. 7 is a front elevation view of a second embodiment of the coating machine according to our new design;

(56) **References Cited**

FIG. 8 is a rear elevation view of the coating machine of FIG. 7;

U.S. PATENT DOCUMENTS

FIG. 9 is a left side view of the coating machine of FIG. 7;

2,400,315	A *	5/1946	Paasche	118/64
3,669,068	A *	6/1972	Geitz	118/64
4,323,030	A *	4/1982	Lehmann, Jr.	118/309
6,068,702	A *	5/2000	Bertellotti et al.	118/621
2006/0029740	A1 *	2/2006	Sakurai et al.	427/335
2006/0147633	A1 *	7/2006	Jones	427/299
2006/0233960	A1 *	10/2006	Warren et al.	427/421.1

FIG. 10 is a right side view of the coating machine of FIG. 7;

FIG. 11 is a top view of the coating machine of FIG. 7;

FIG. 12 is a bottom view of the coating machine of FIG. 7; and,

* cited by examiner

FIGS. 13 and 14 are perspective views of the coating machine of FIG. 7.

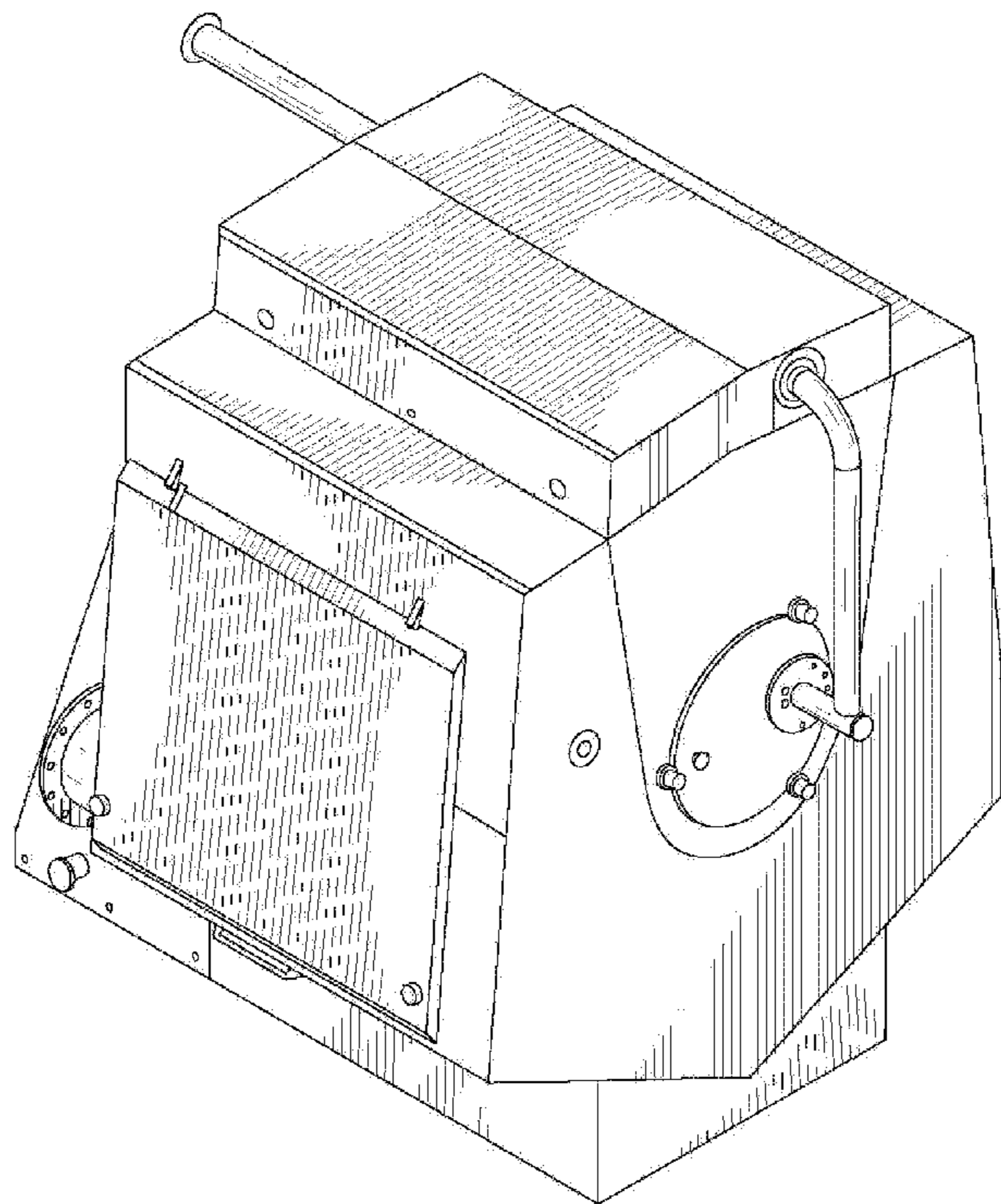
The broken lines in FIGS. 1-14 are for illustrative purposes only and do not constitute part of the claimed design.

Primary Examiner—Antoine D. Davis

Assistant Examiner—Patricia Palasik

(74) *Attorney, Agent, or Firm*—Volpe and Koenig, PC

1 Claim, 14 Drawing Sheets



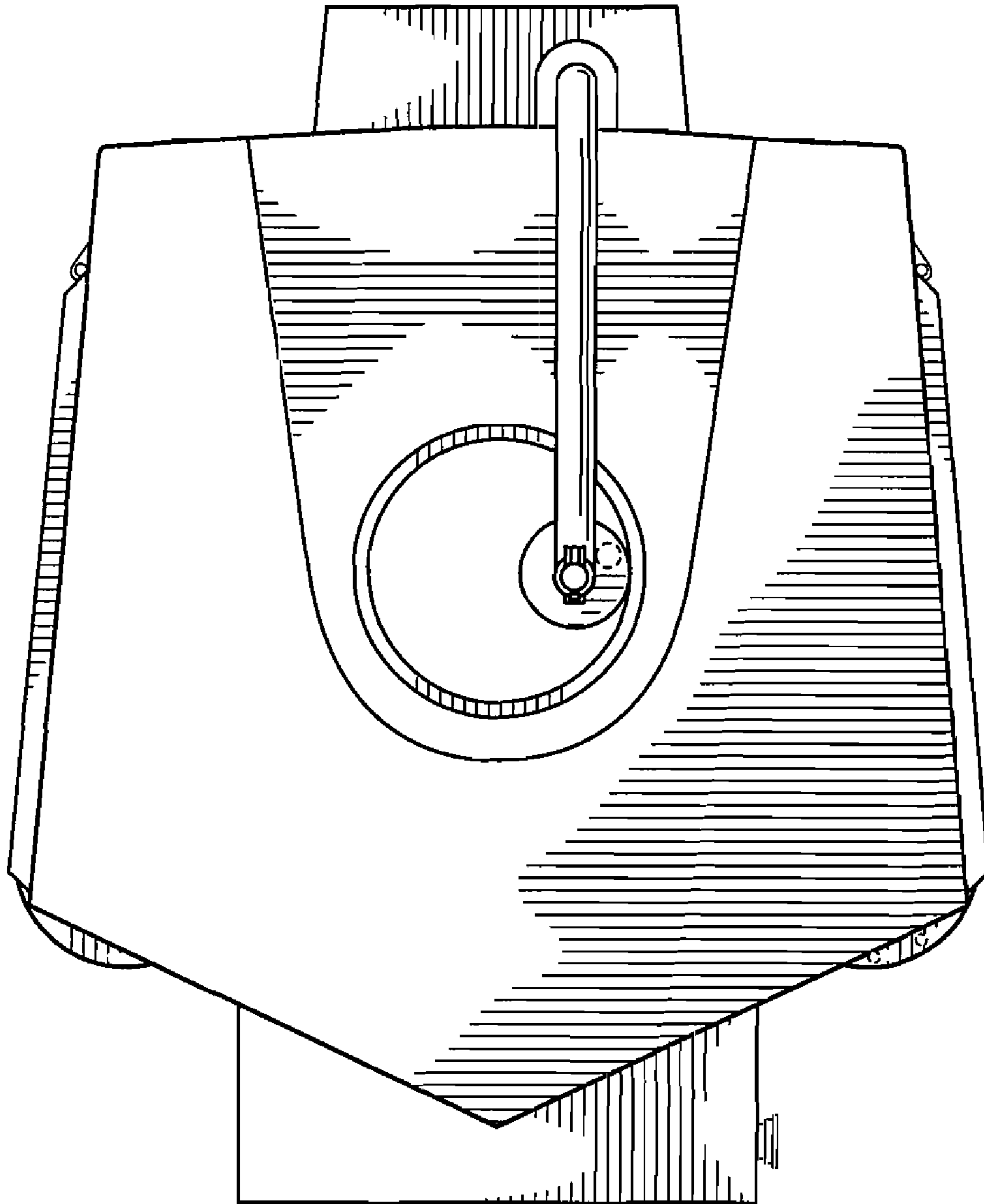


FIG. 1

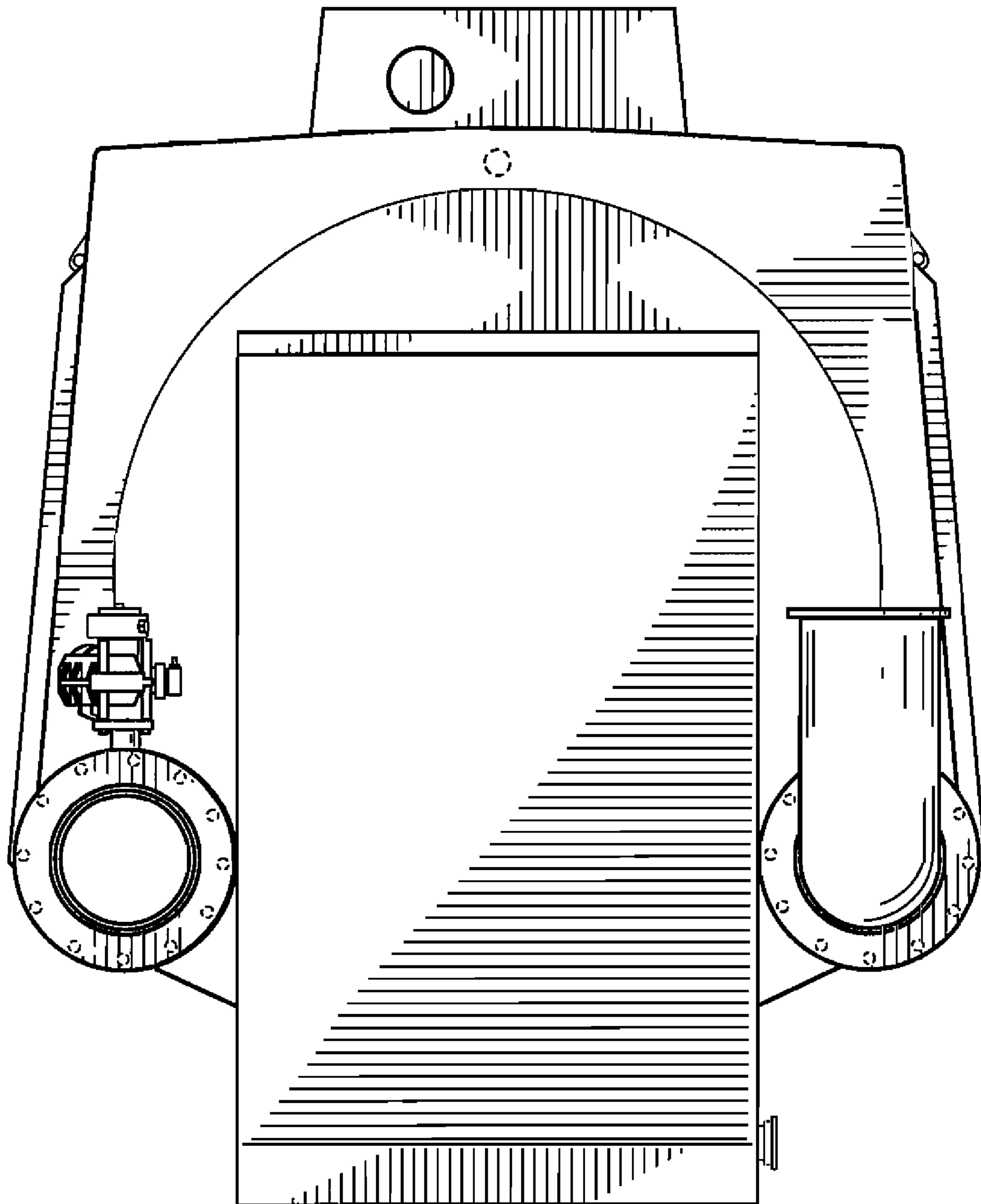


FIG. 2

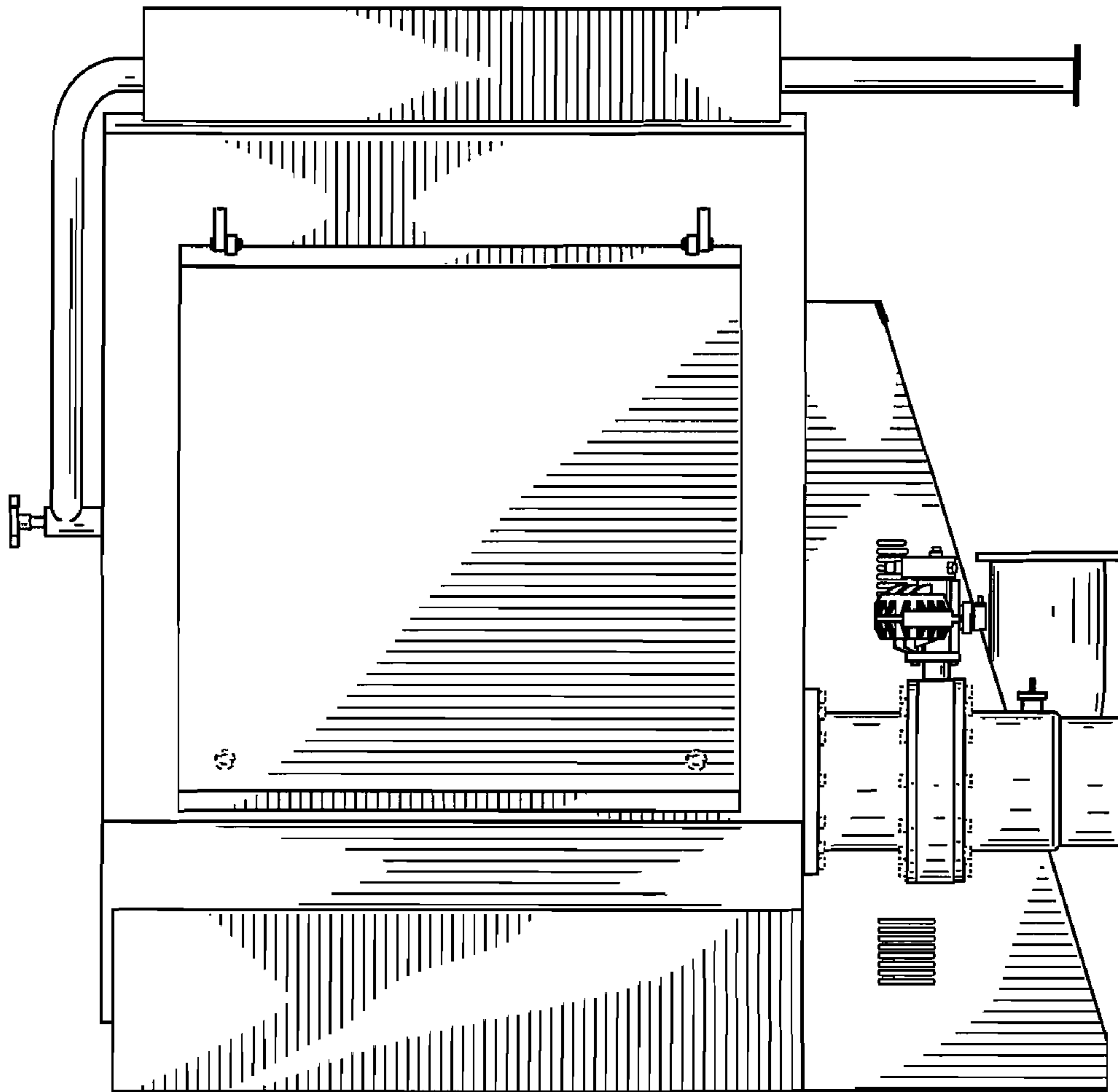


FIG. 3

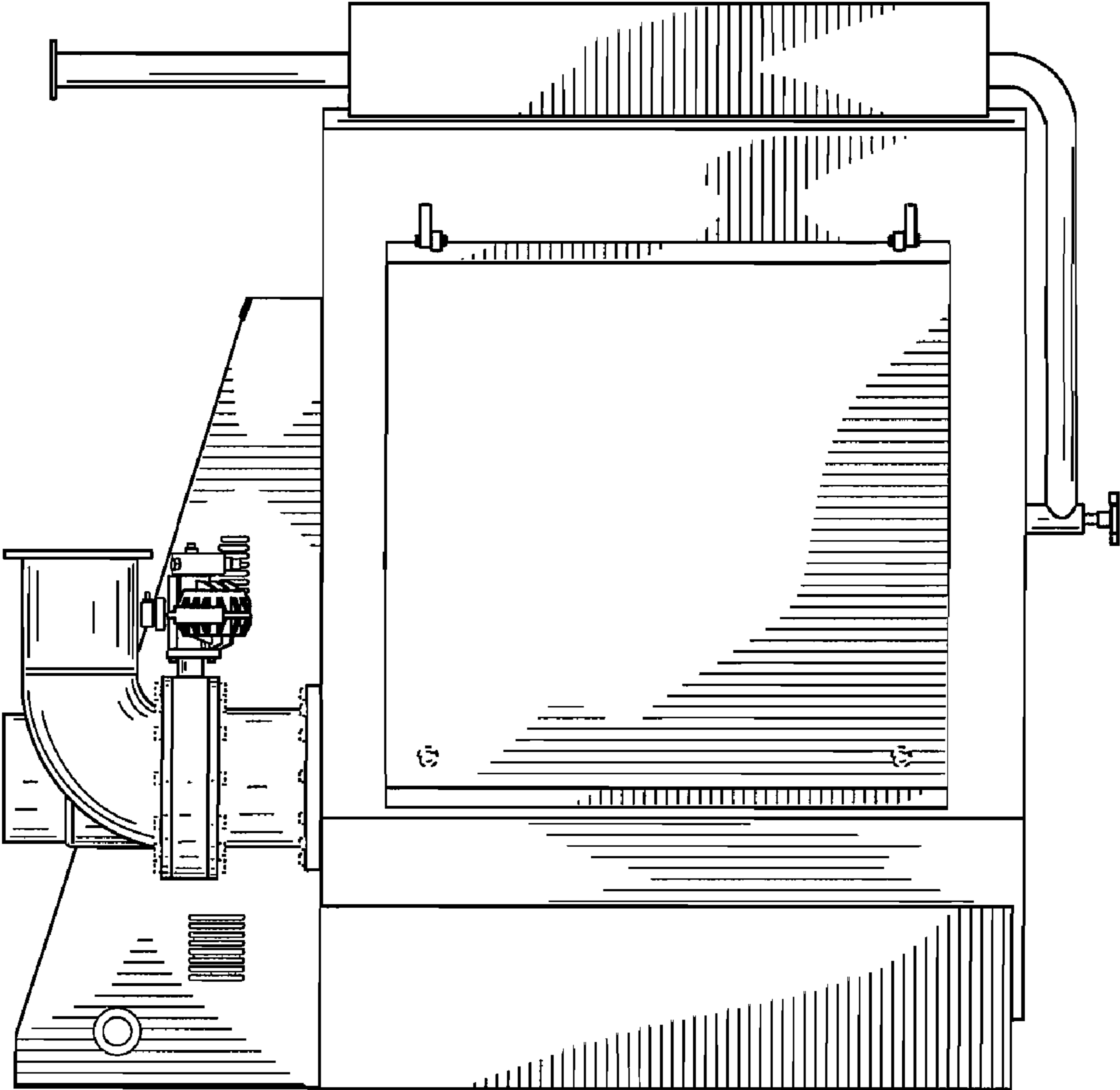


FIG. 4

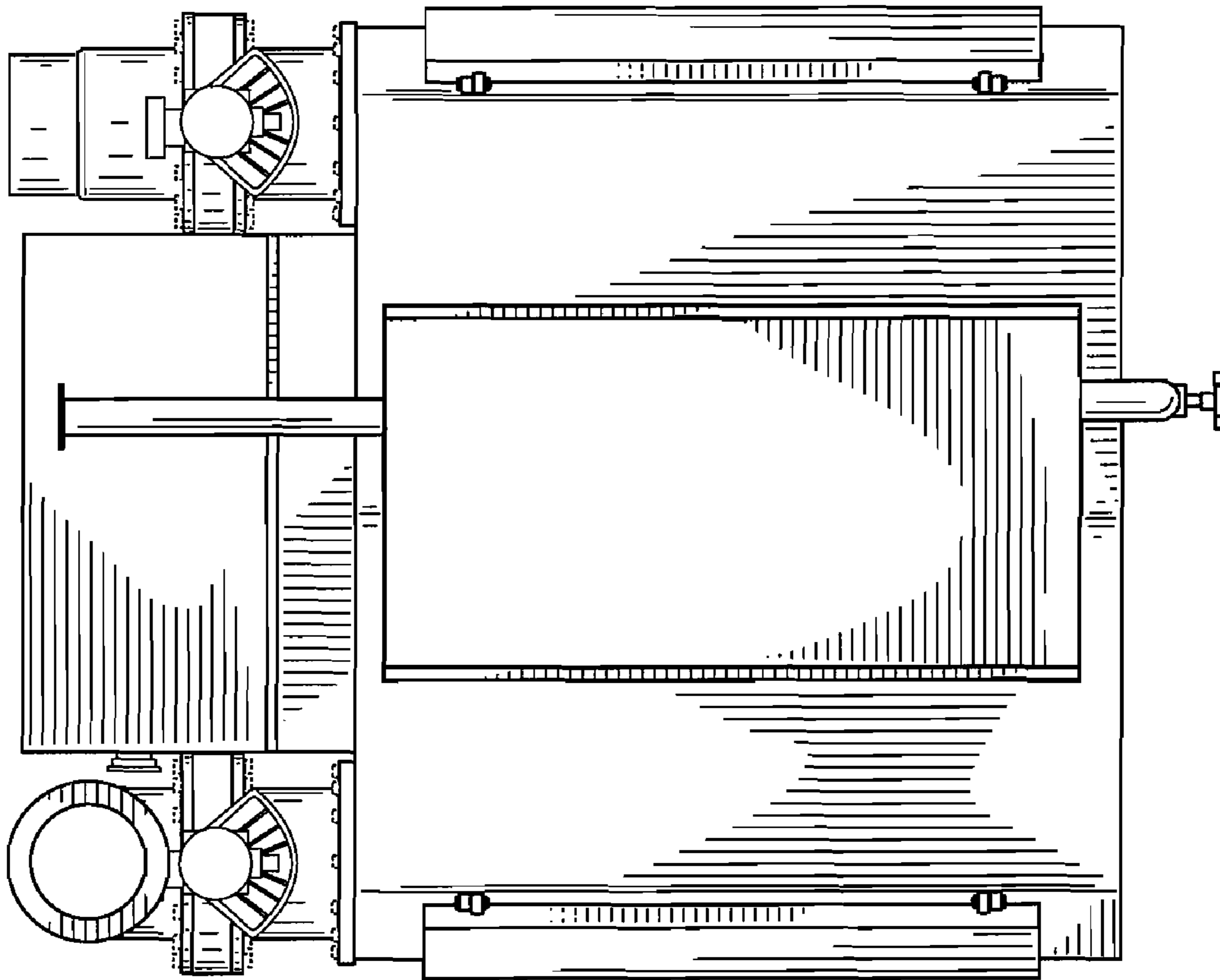


FIG. 5

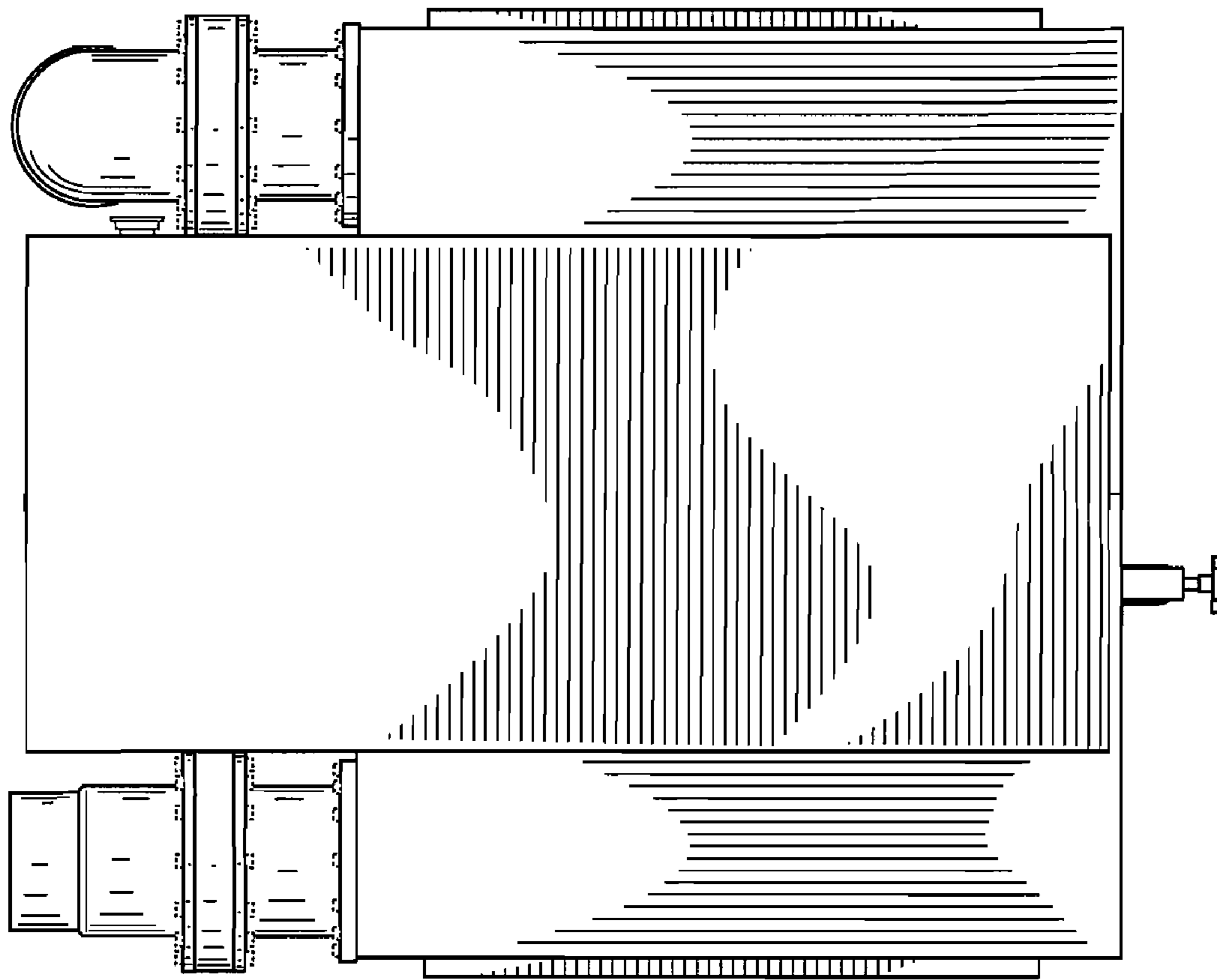


FIG. 6

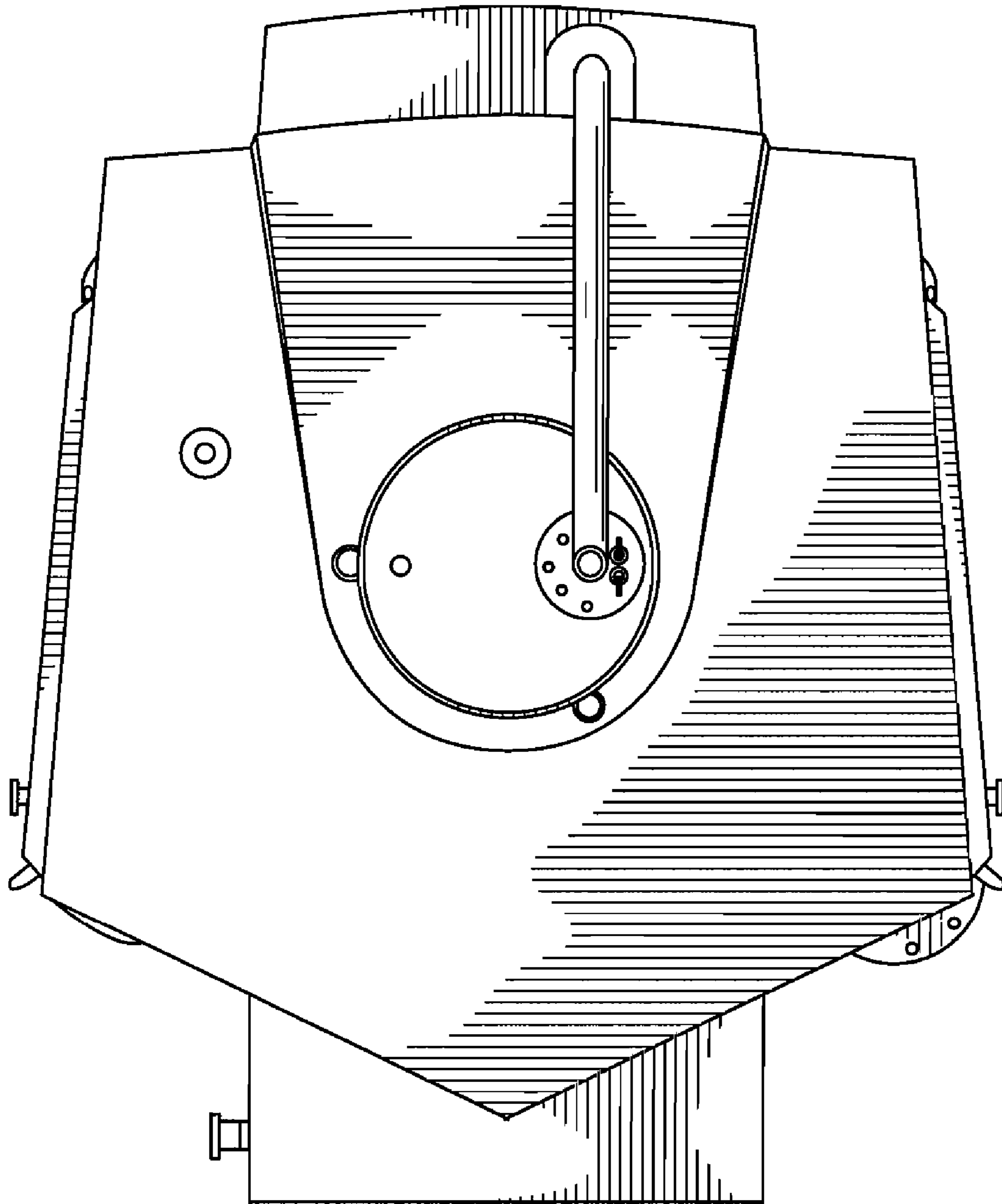


FIG. 7

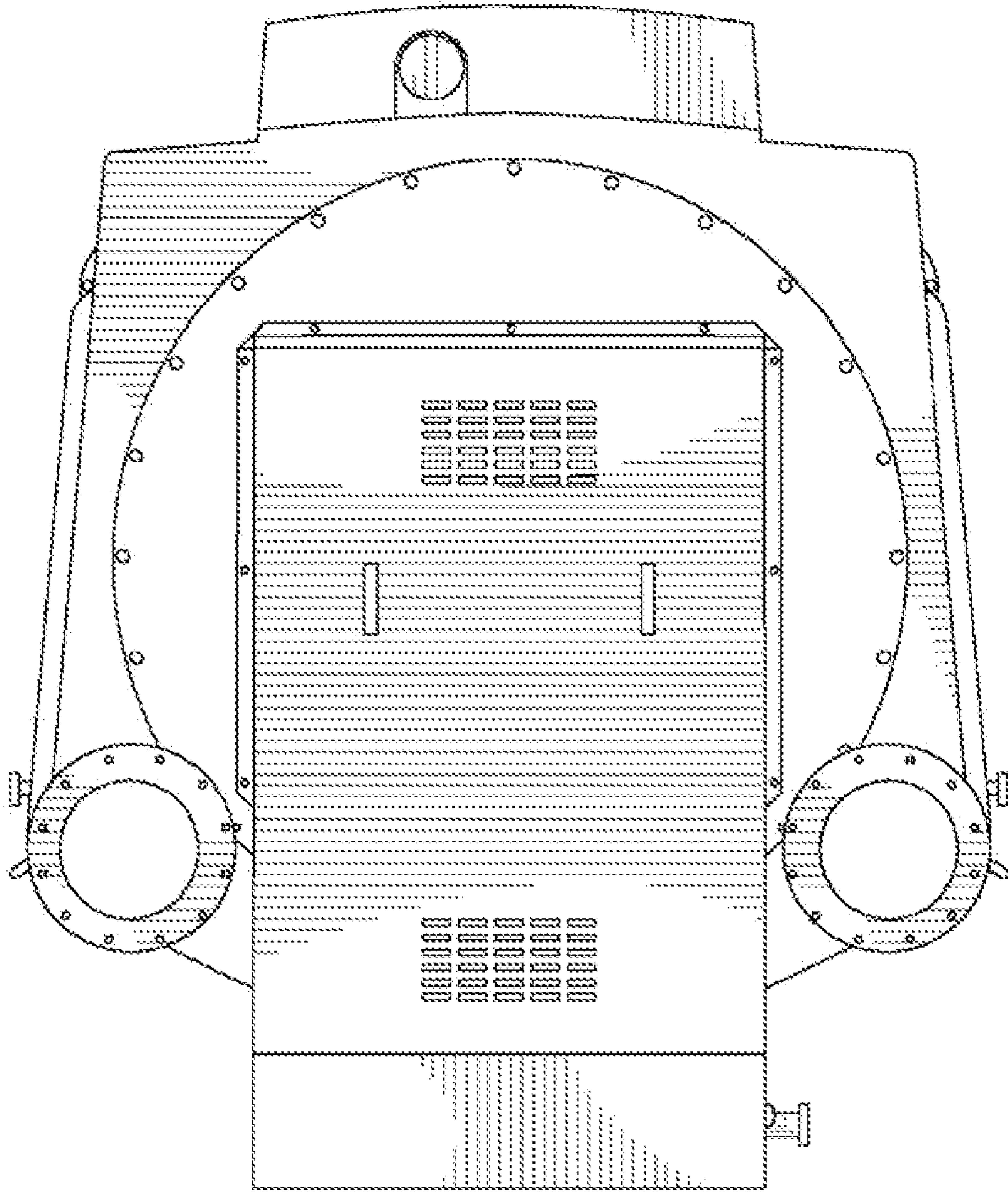


FIG. 8

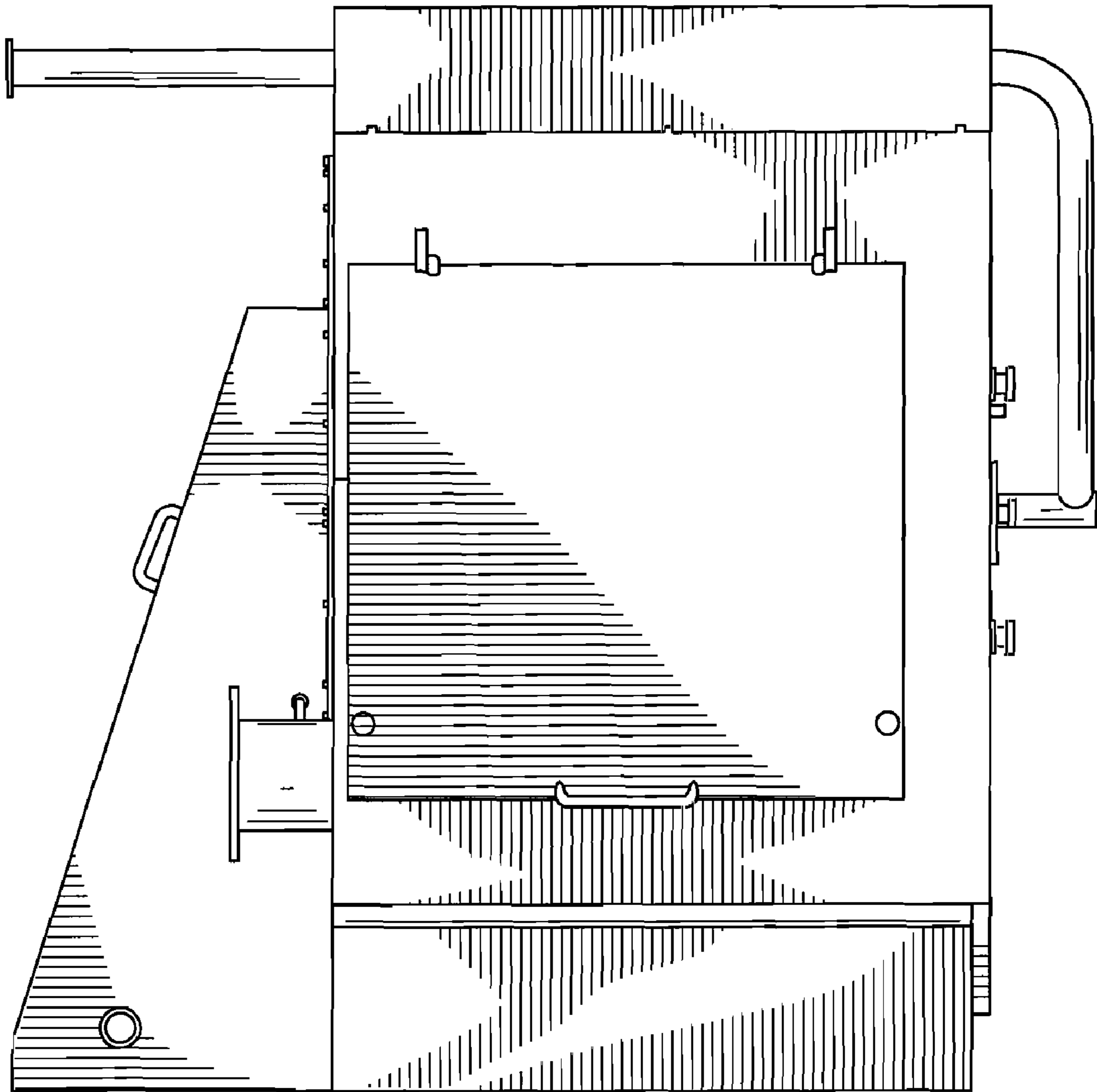


FIG. 9

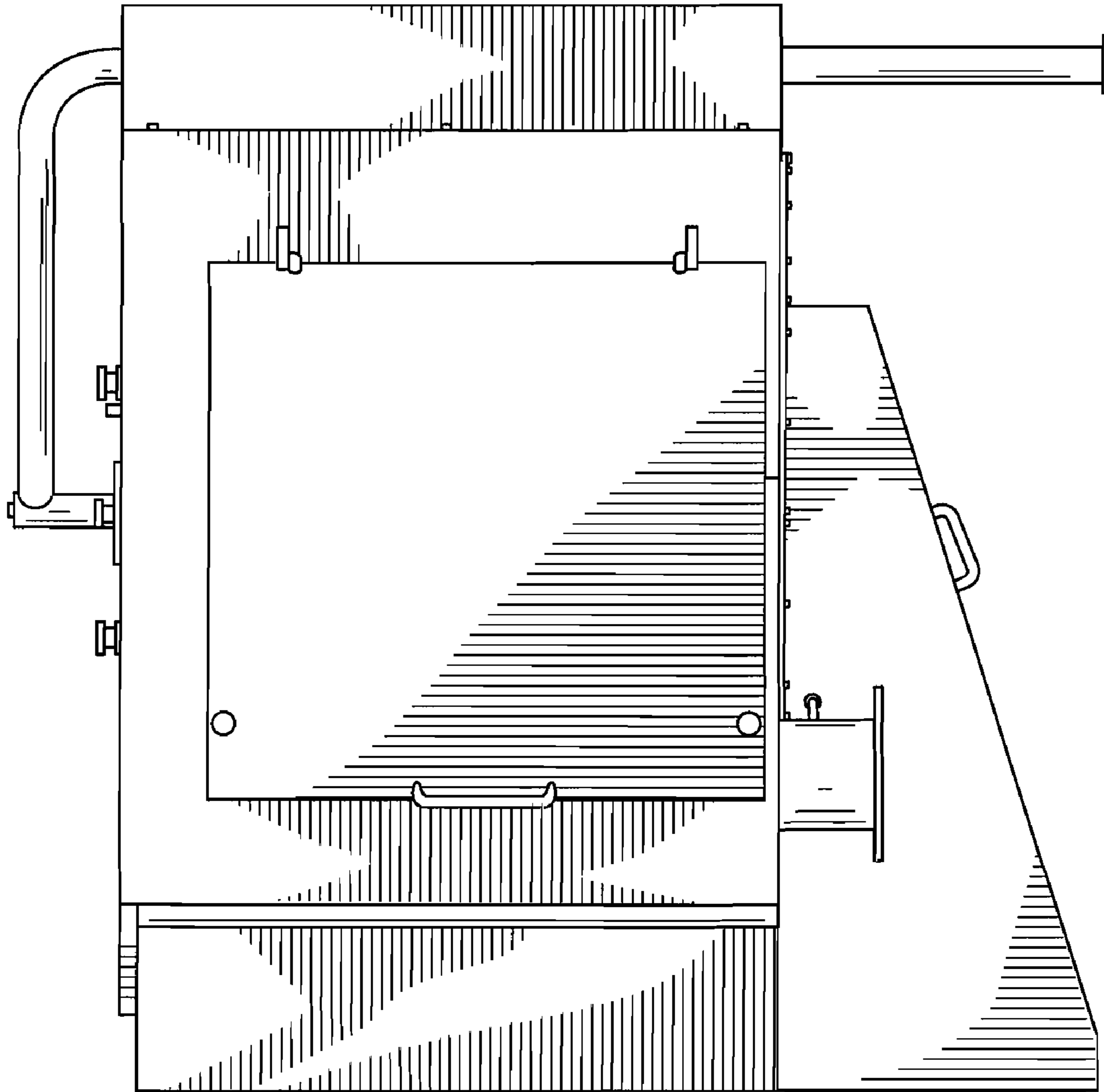


FIG. 10

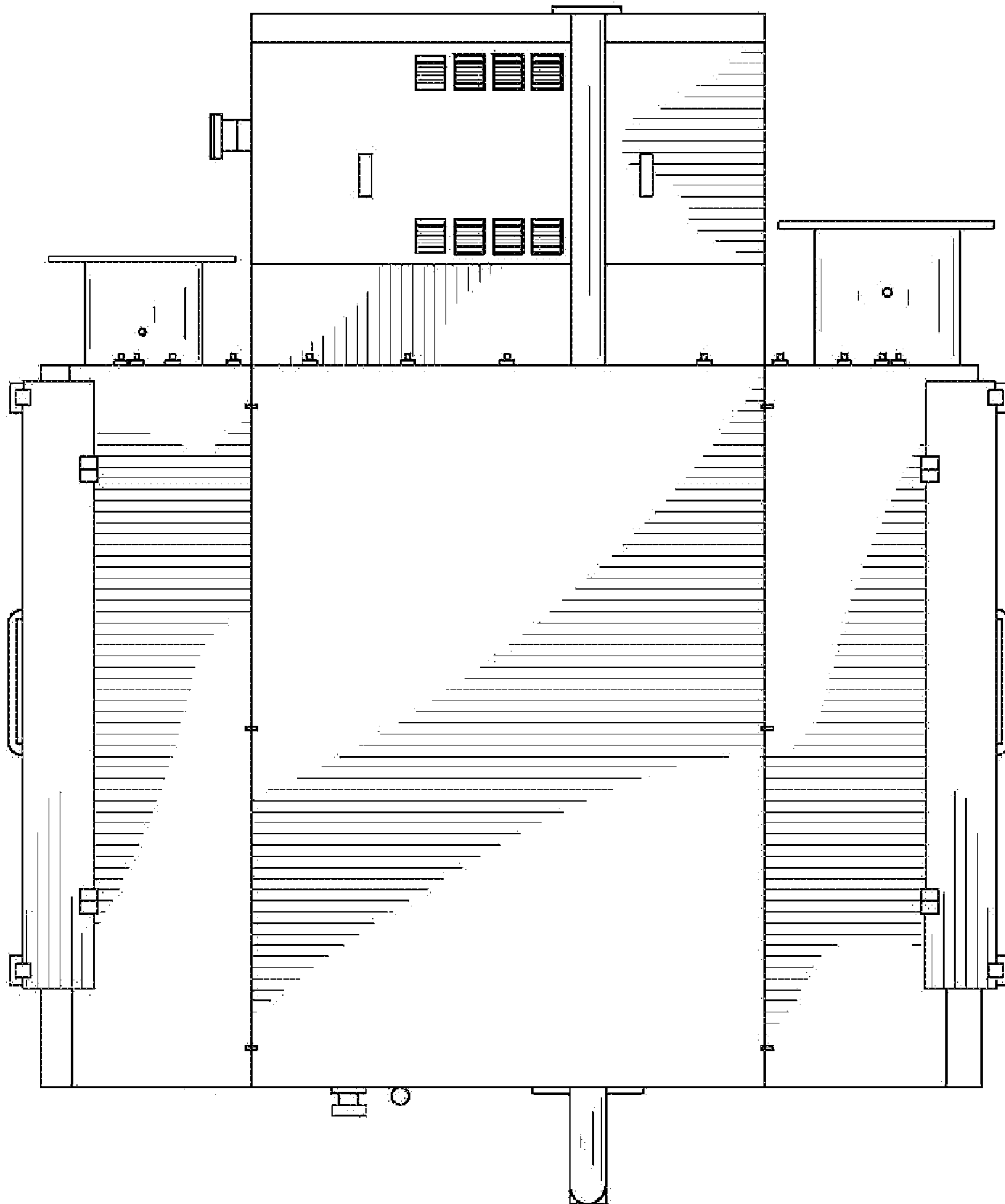


FIG. 11

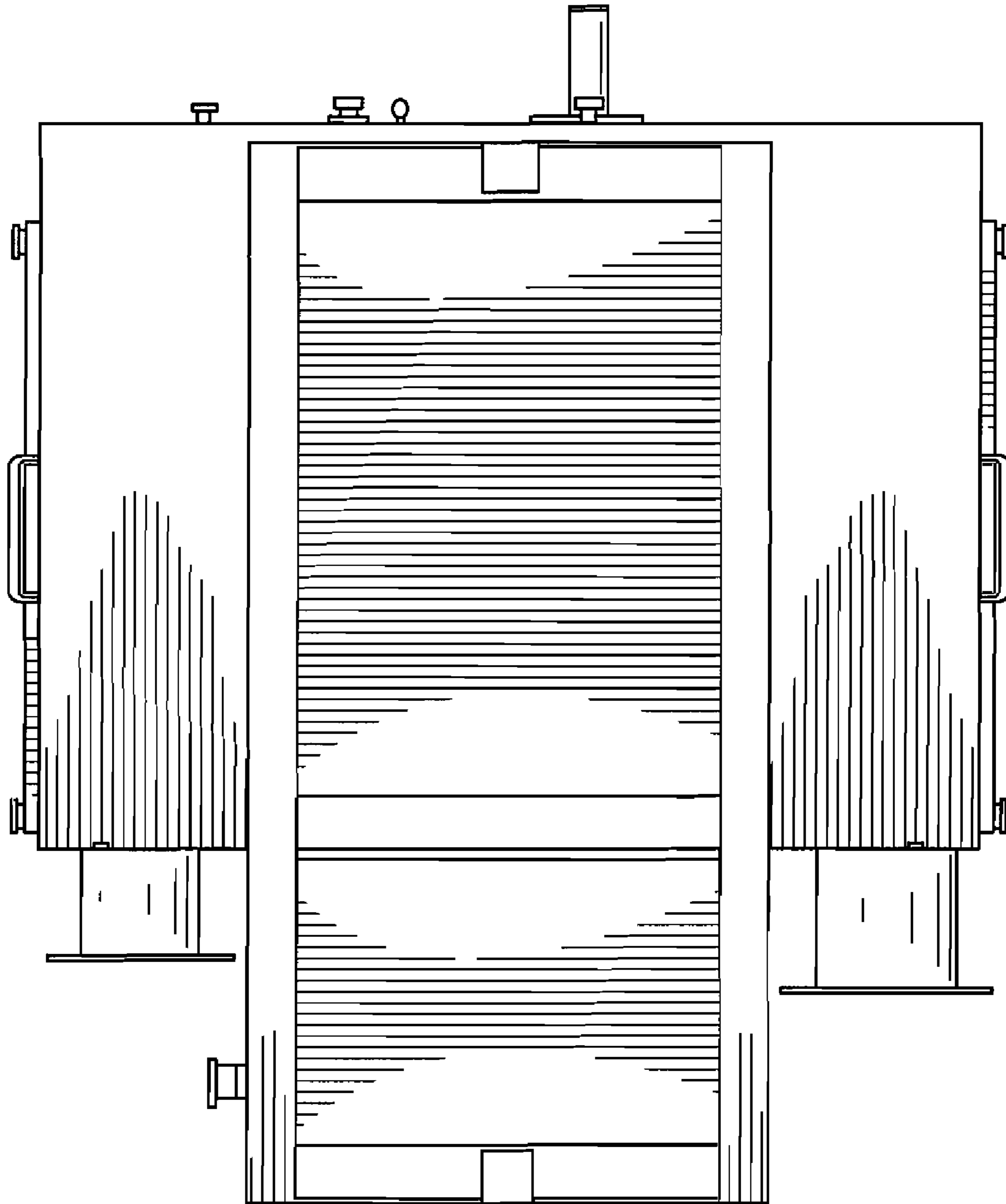
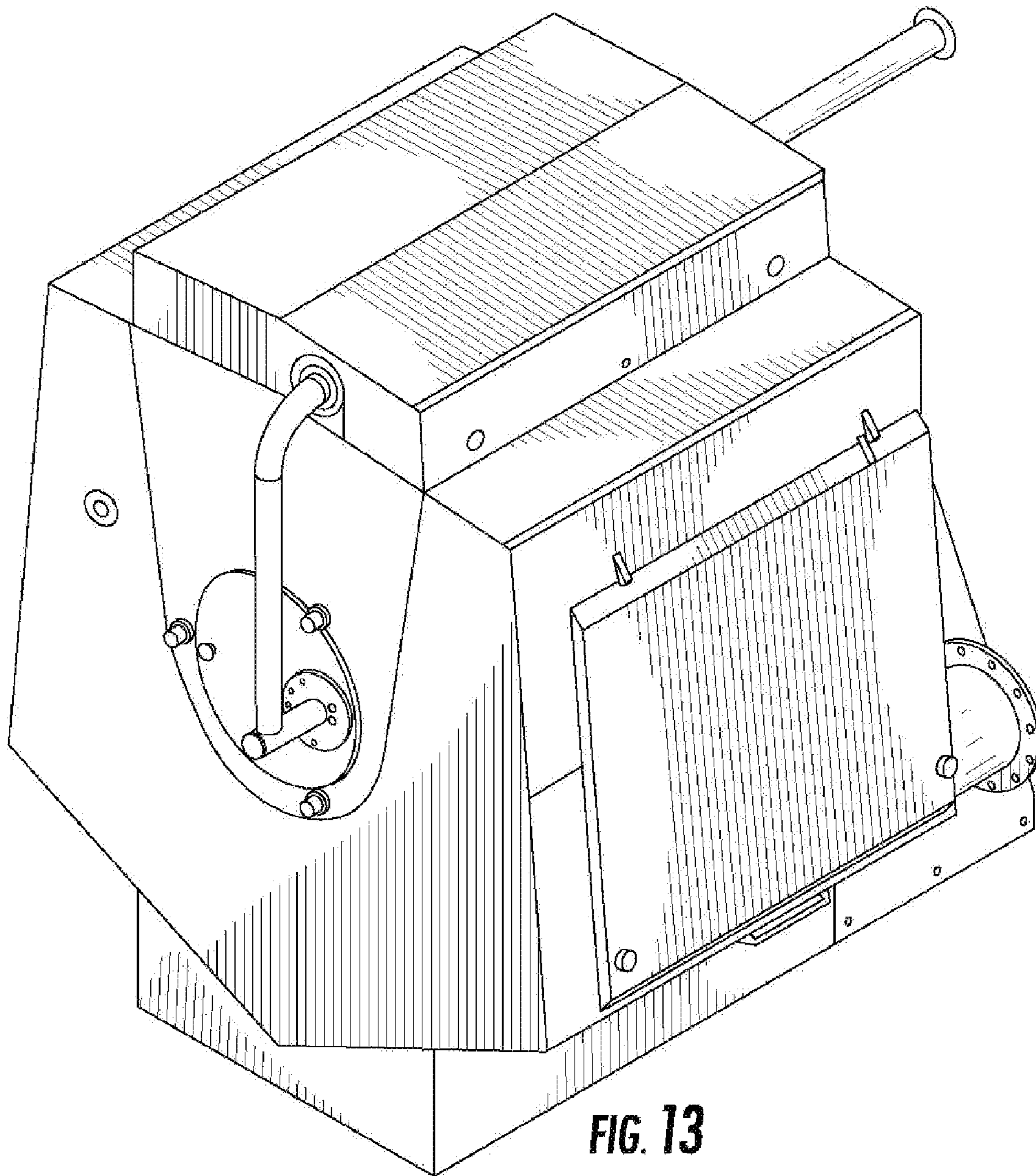


FIG. 12



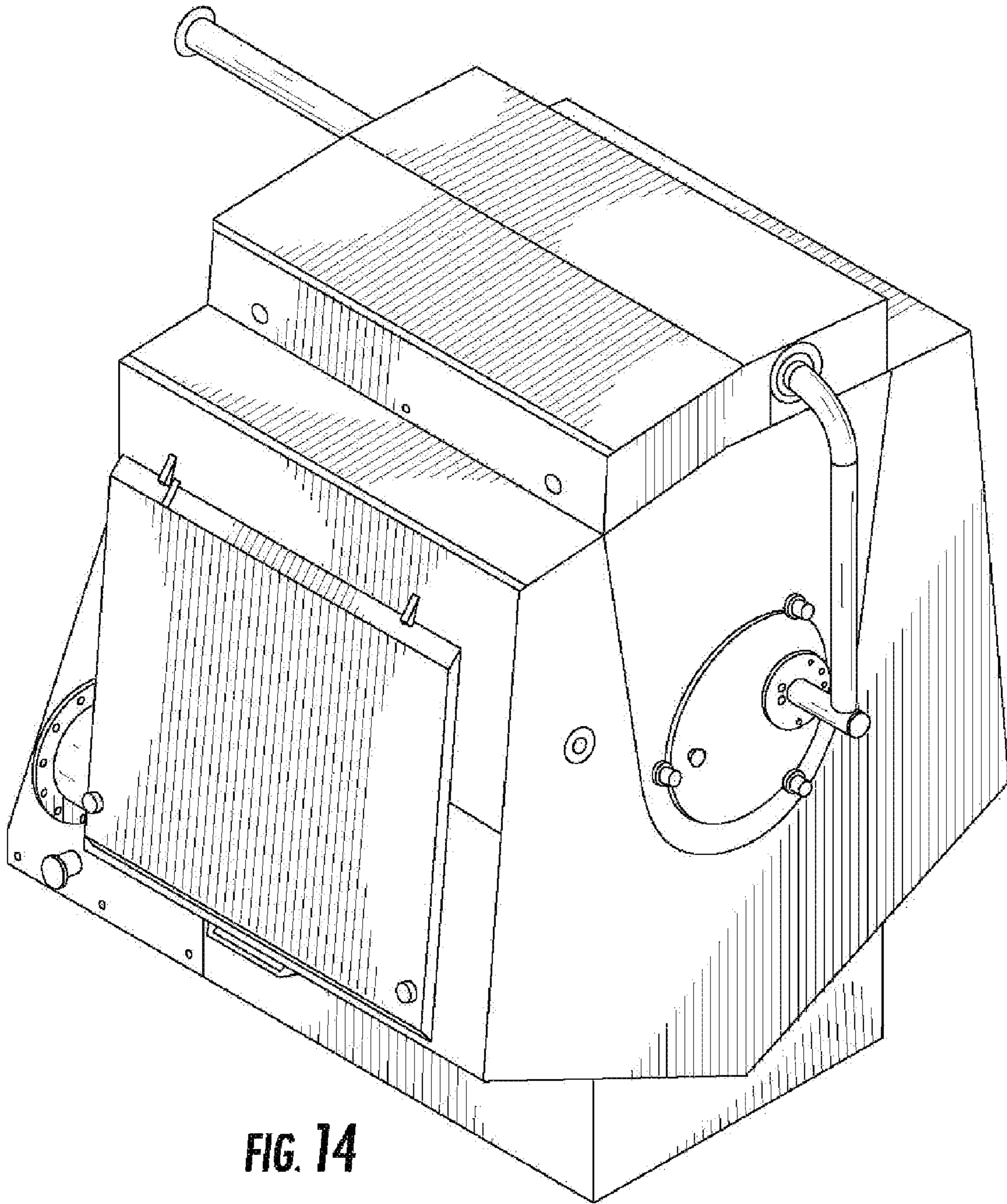


FIG. 14