



US00D567262S

(12) **United States Design Patent**  
**Crookshanks**

(10) **Patent No.:** **US D567,262 S**

(45) **Date of Patent:** **\*\* Apr. 22, 2008**

(54) **REFRIGERATOR**

D553,166 S \* 10/2007 Busalt et al. .... D15/91  
D553,167 S \* 10/2007 Busalt et al. .... D15/91

(75) Inventor: **Kent Allen Stephen Crookshanks,**  
Anderson, SC (US)

\* cited by examiner

(73) Assignee: **Electrolux Home Products, Inc.,**  
Cleveland, OH (US)

*Primary Examiner*—Stella M. Reid  
*Assistant Examiner*—Shanda C Hill

(74) *Attorney, Agent, or Firm*—Banner & Witcoff, Ltd.

(\*\*) Term: **14 Years**

(57) **CLAIM**

(21) Appl. No.: **29/297,504**

The ornamental design for a refrigerator, as shown and described.

(22) Filed: **Nov. 13, 2007**

**DESCRIPTION**

(51) **LOC (8) Cl.** ..... **15-07**

(52) **U.S. Cl.** ..... **D15/91**

(58) **Field of Classification Search** ..... D15/79,  
D15/80, 81, 85, 88, 91; 62/3.1, 3.6, 3.63,  
62/3.64, 45.1, 236, 293, 331, 352, 371, 400–406,  
62/440, 467, 529, 531; 312/236, 352, 400–408  
See application file for complete search history.

FIG. 1 is a front perspective view of a refrigerator showing my new design;

FIG. 2 is a front view thereof;

FIG. 3 is a right side view thereof;

FIG. 4 is a left side view thereof;

FIG. 5 is a top view thereof; and,

FIG. 6 is a bottom view thereof.

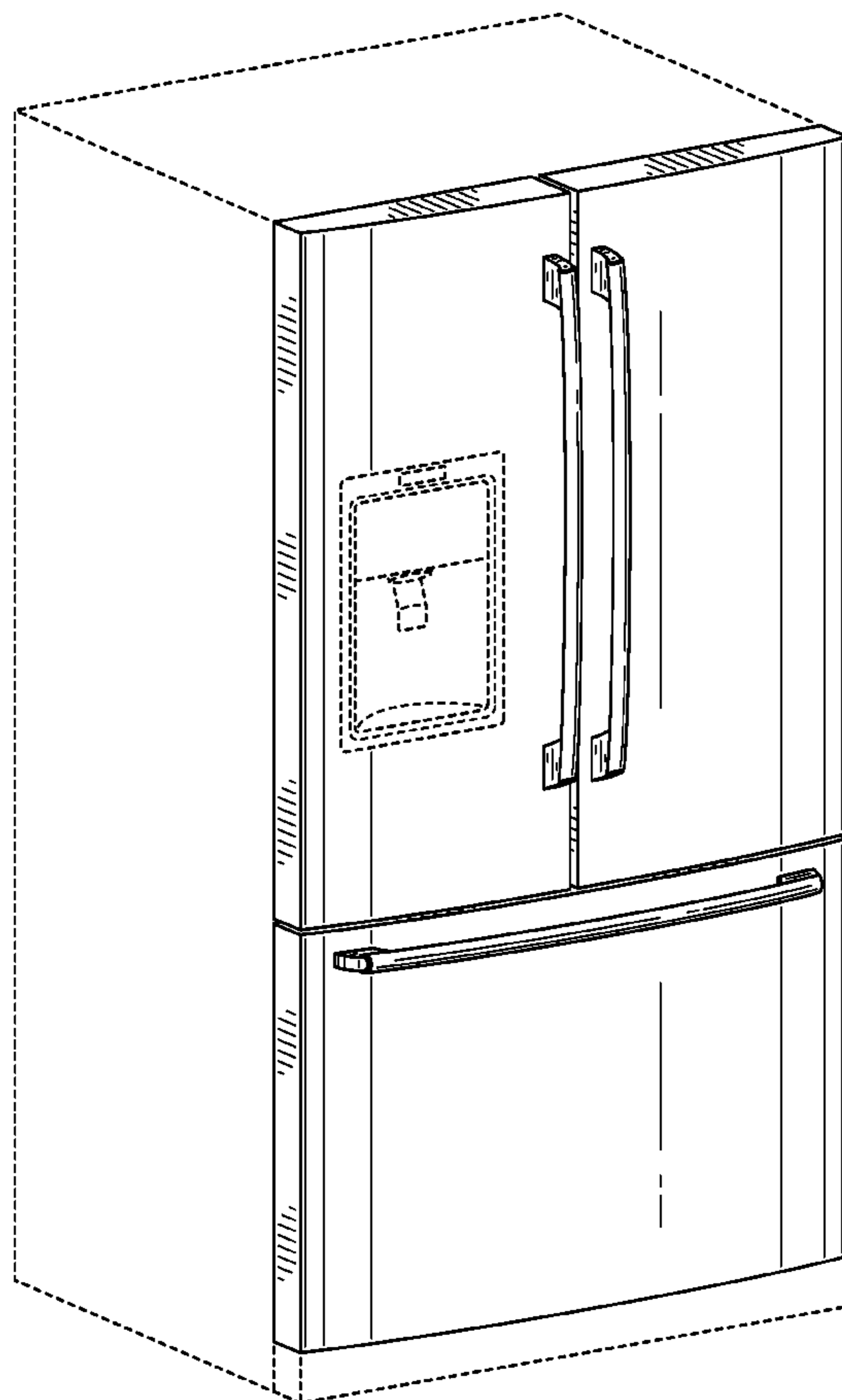
(56) **References Cited**

**U.S. PATENT DOCUMENTS**

D495,722 S \* 9/2004 Avalos Barcenas et al. . D15/91  
D500,058 S \* 12/2004 Tunzi ..... D15/91  
D518,077 S \* 3/2006 Lee et al. .... D15/91  
D538,310 S \* 3/2007 Avalos Barcenas et al. . D15/91

The broken lines shown in the drawing disclosure are for illustrative purposes only and form no part of the claimed design.

**1 Claim, 5 Drawing Sheets**



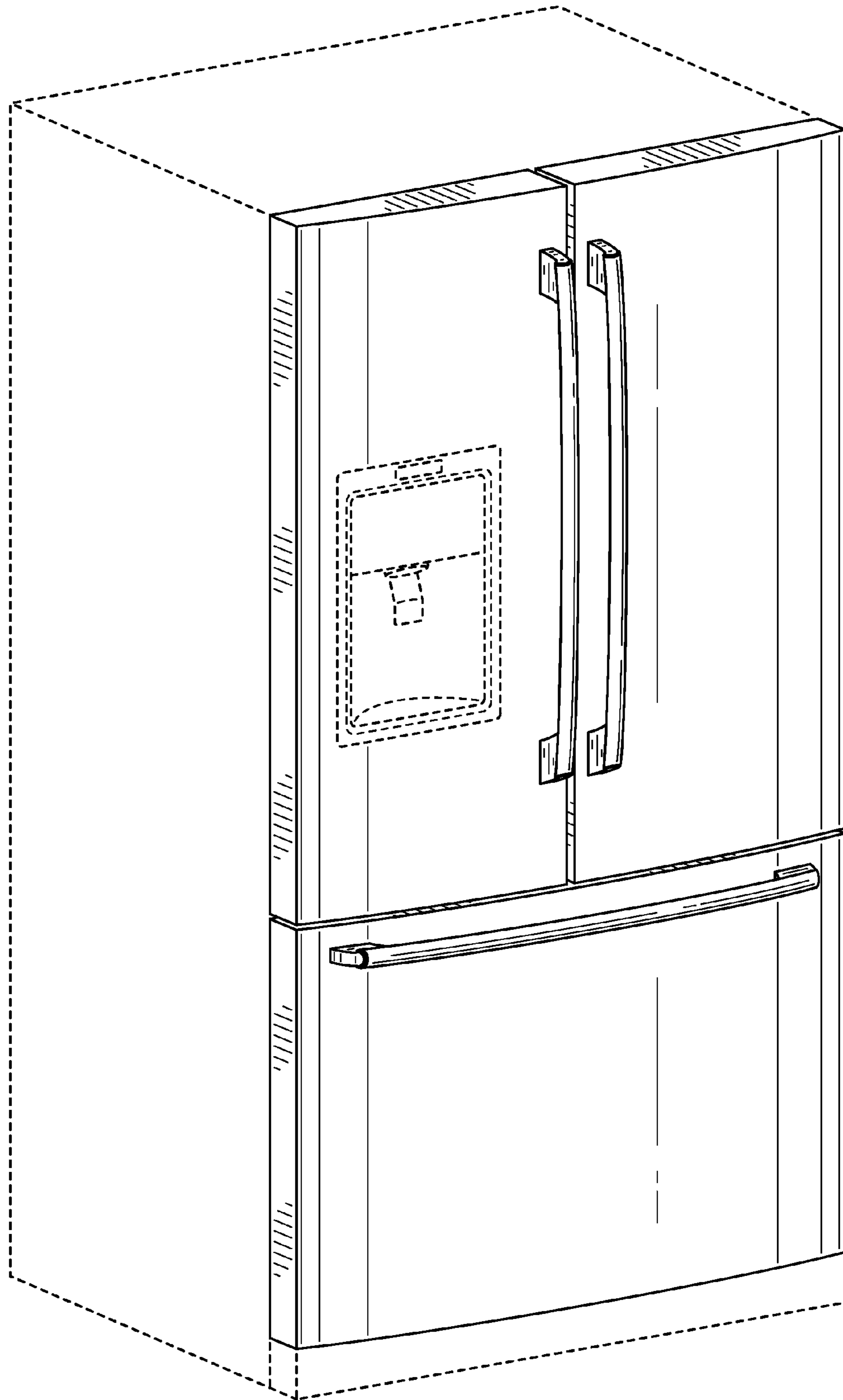


FIG. 1

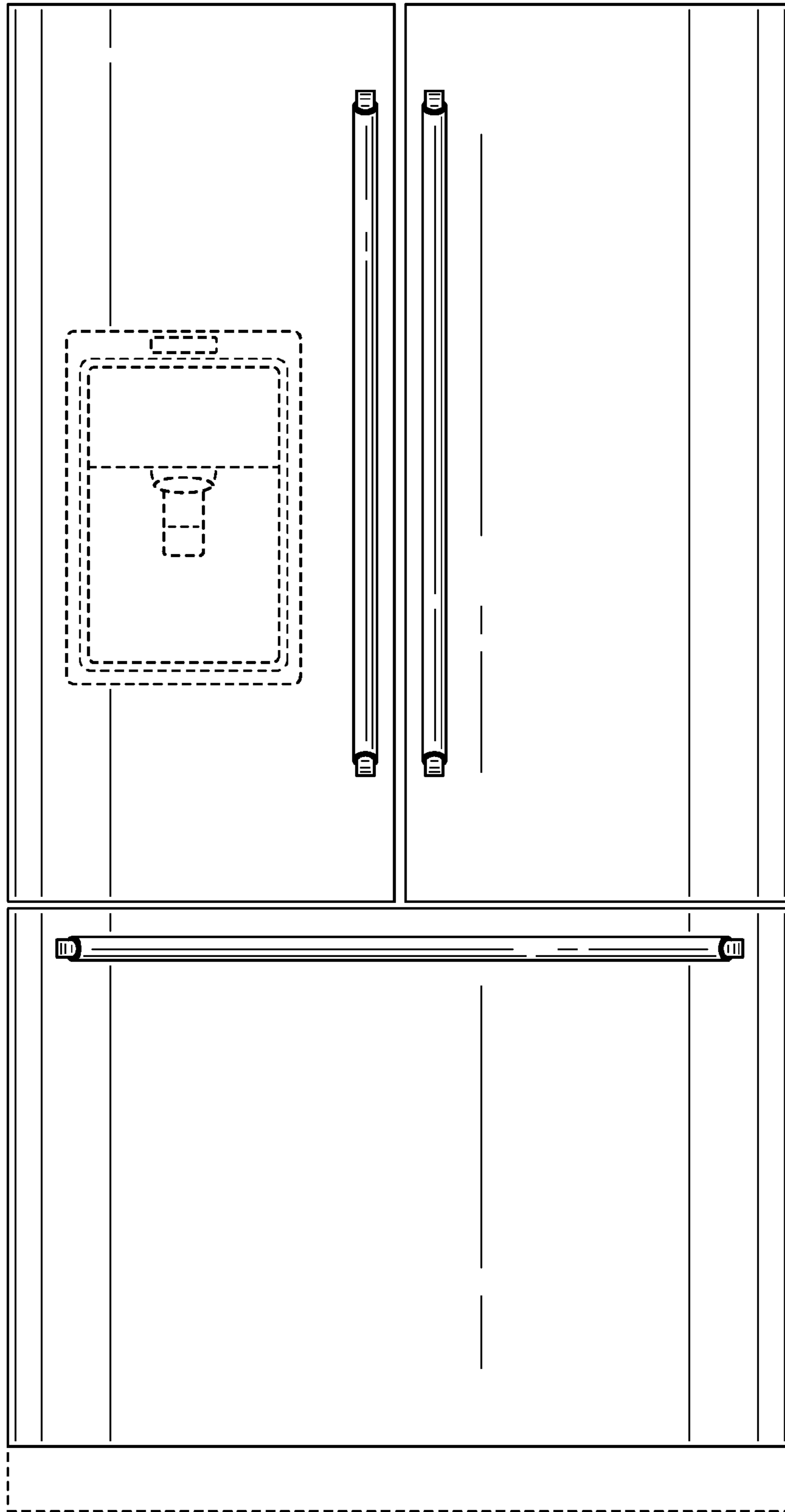


FIG. 2

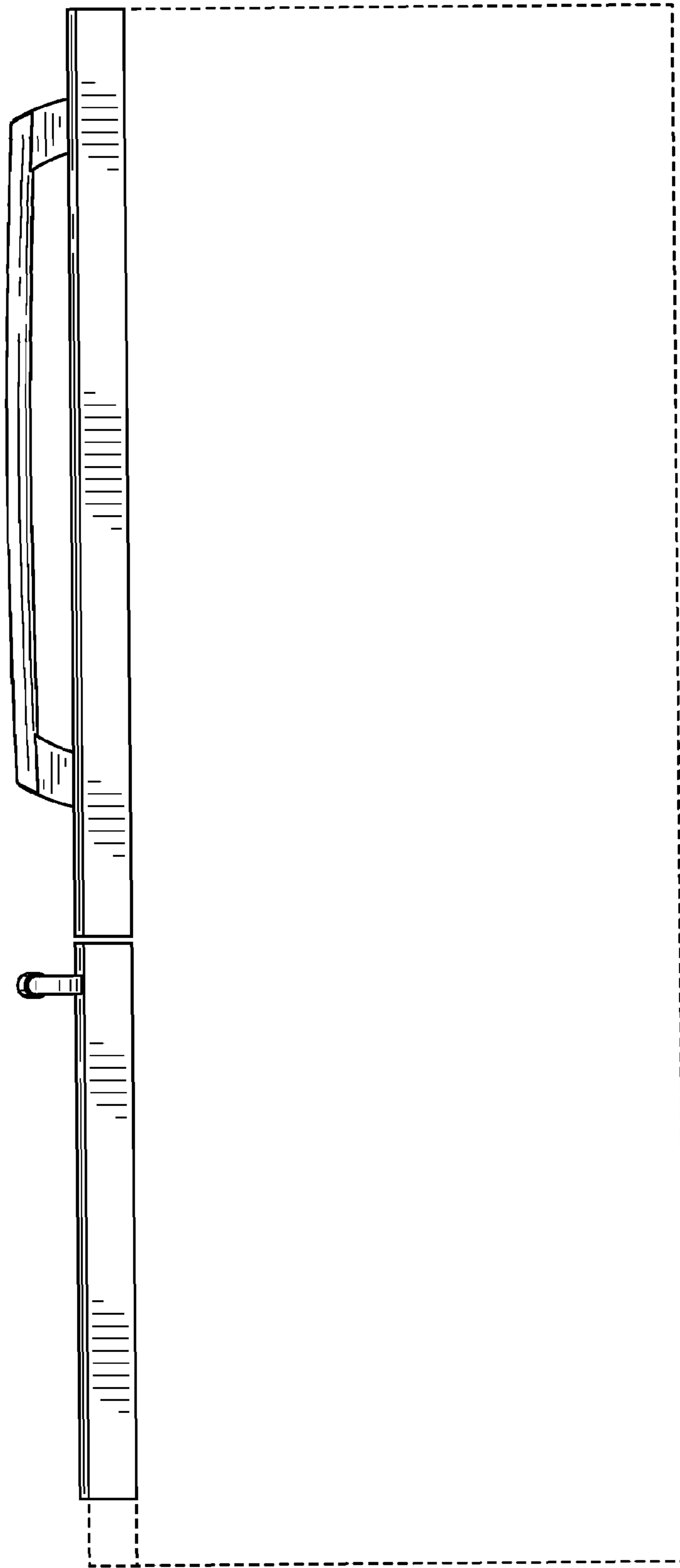


FIG. 3

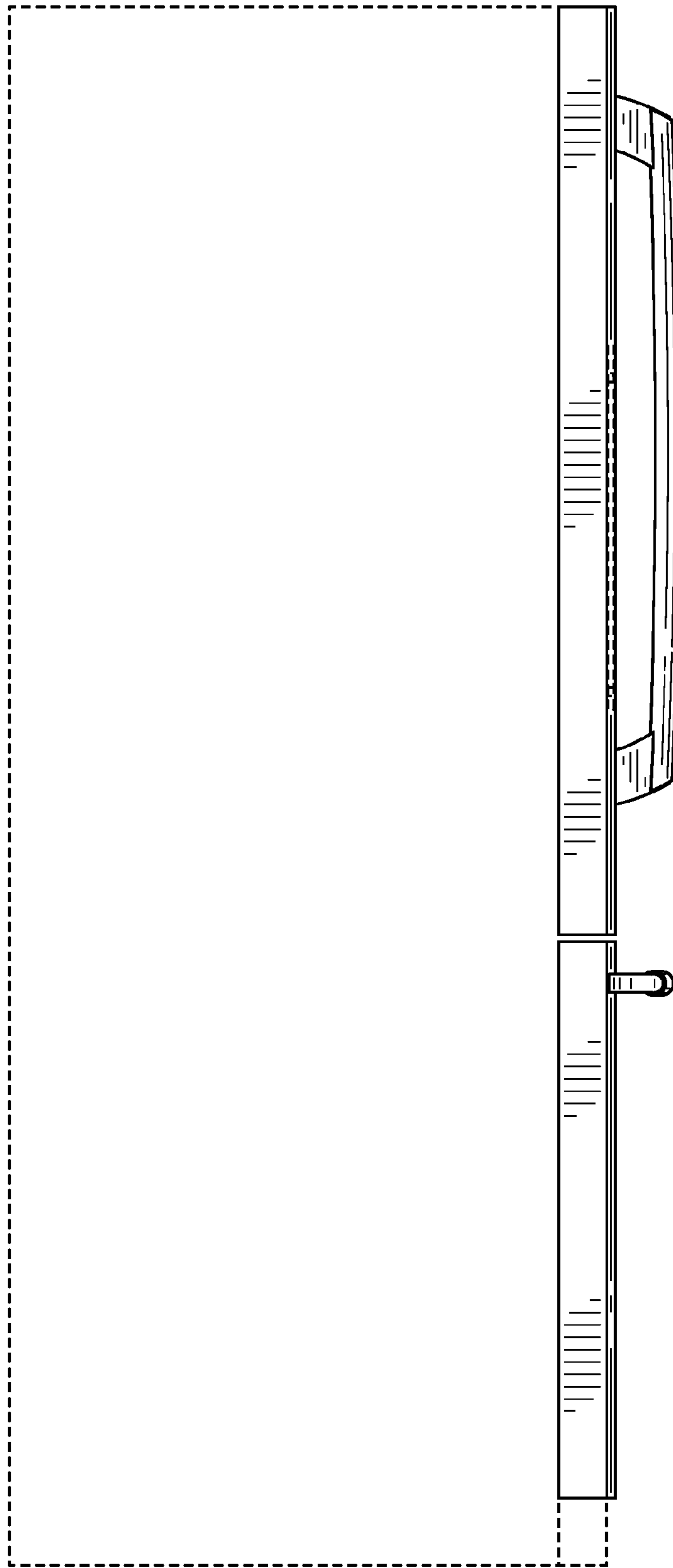


FIG. 4

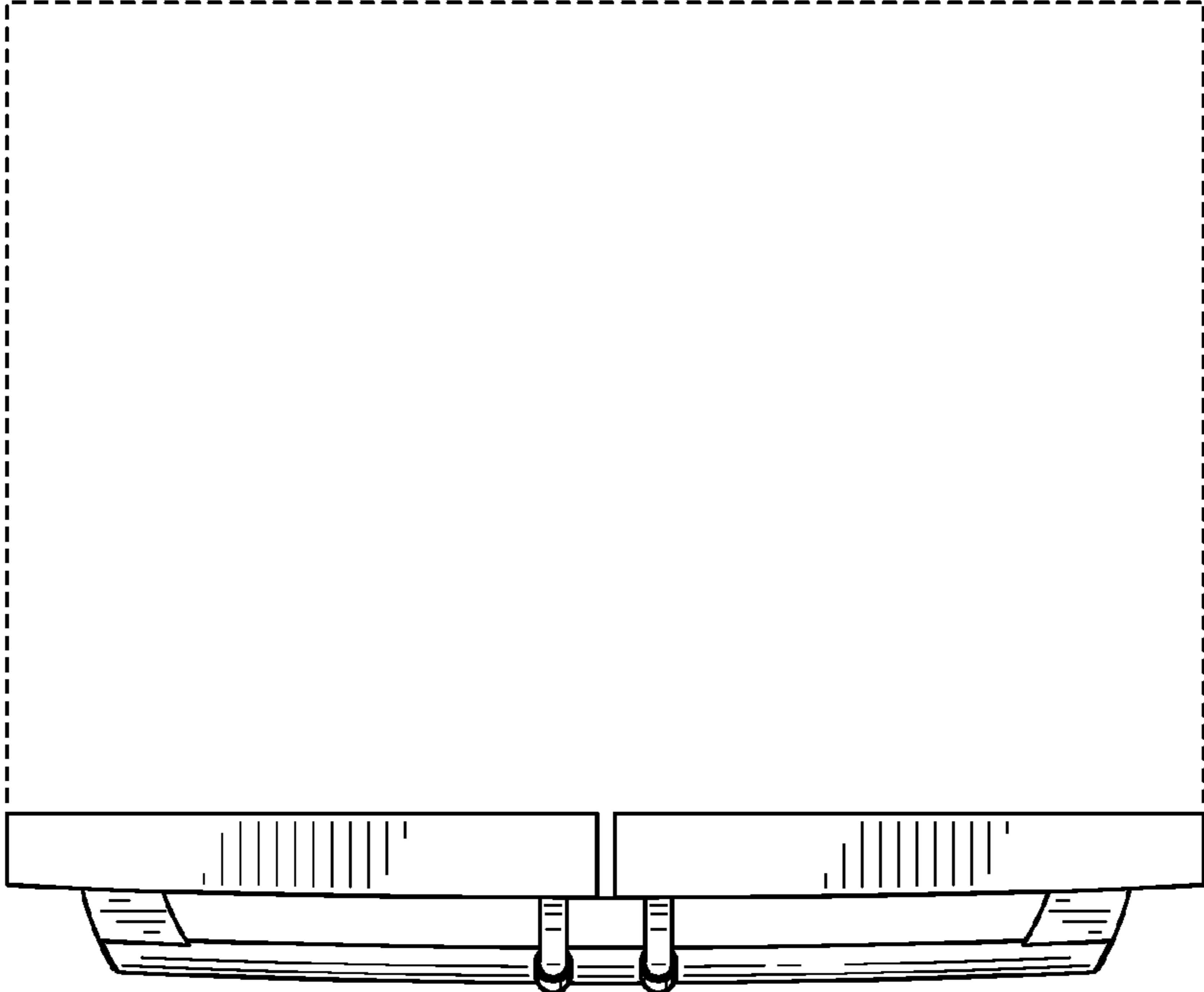


FIG. 5

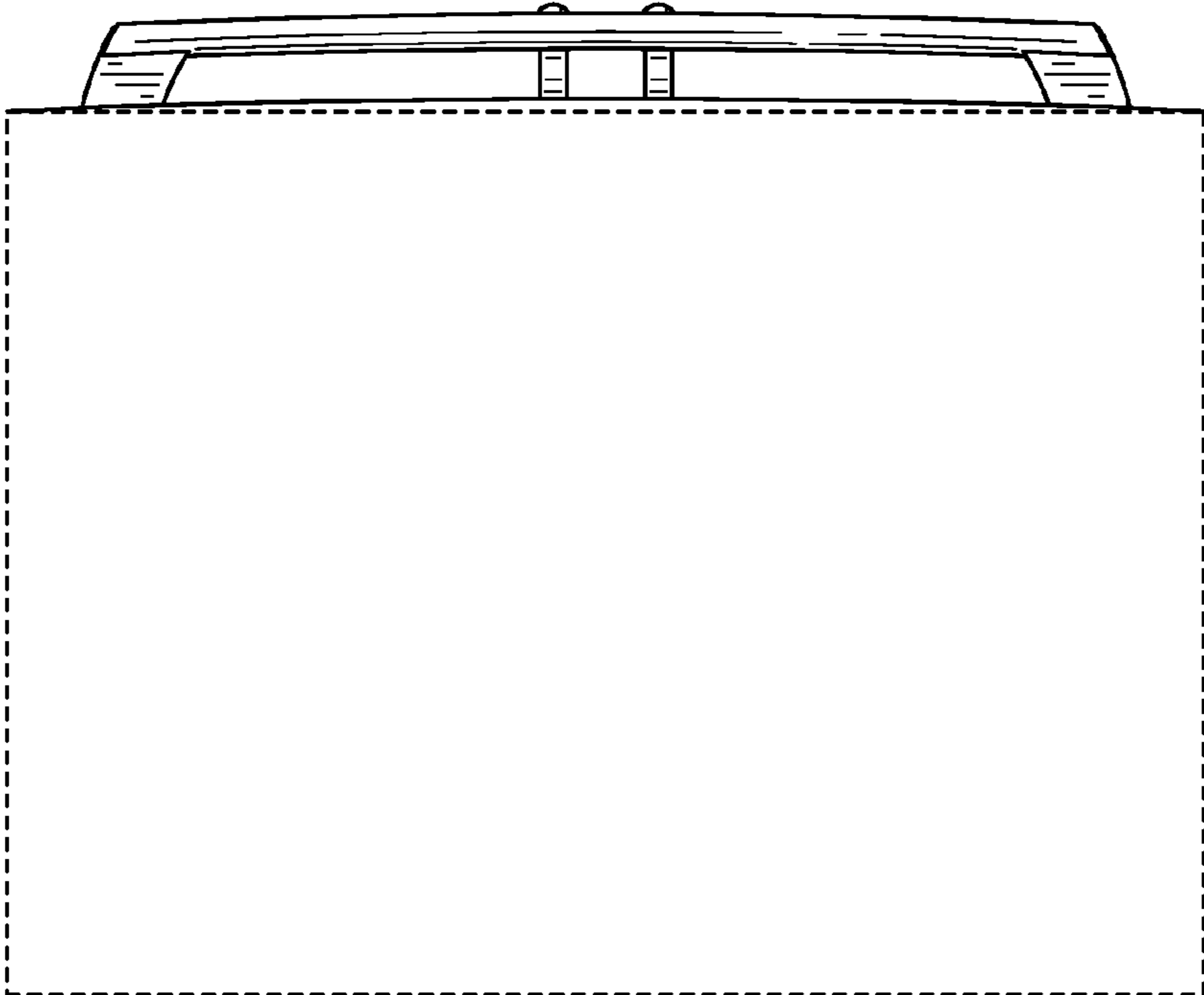


FIG. 6