

US00D567260S

(12) **United States Design Patent**
Kim et al.

(10) **Patent No.: US D567,260 S**

(45) **Date of Patent: ** *Apr. 22, 2008**

(54) **REFRIGERATOR**

(75) Inventors: **Jeong Min Kim**, Seoul (KR); **Young Min Park**, Seoul (KR)

(73) Assignee: **Samsung Electronics Co., Ltd.**, Suwon (KR)

(*) Notice: This patent is subject to a terminal disclaimer.

(**) Term: **14 Years**

(21) Appl. No.: **29/264,866**

(22) Filed: **Aug. 21, 2006**

(51) **LOC (8) Cl.** **15-07**

(52) **U.S. Cl.** **D15/85**

(58) **Field of Classification Search** D15/79-82,
D15/85-89; 62/3.1, 3.6, 3.63, 3.64, 389-400,
62/440, 441, 467, 531; 312/236, 352, 400-406,
312/405.1

See application file for complete search history.

(56) **References Cited**

U.S. PATENT DOCUMENTS

- D365,579 S * 12/1995 Baker et al. D15/89
- D379,095 S * 5/1997 Sparks D15/85
- D496,373 S * 9/2004 Jang D15/85
- D511,534 S * 11/2005 Ertz et al. D15/89

- D514,139 S * 1/2006 Ertz et al. D15/89
- D518,076 S * 3/2006 Quinlan et al. D15/89
- D523,878 S * 6/2006 Quinlan et al. D15/89
- D524,832 S * 7/2006 Kim et al. D15/85
- D525,993 S * 8/2006 Kim et al. D15/85
- D527,395 S * 8/2006 Kim D15/85
- D527,745 S * 9/2006 Kim et al. D15/85
- D527,748 S * 9/2006 Kim D15/85
- D528,135 S * 9/2006 Kim et al. D15/85

* cited by examiner

Primary Examiner—Stella M. Reid

Assistant Examiner—Shanda C. Hill

(74) *Attorney, Agent, or Firm*—Ladas and Parry LLP

(57) **CLAIM**

We claim the ornamental design for a refrigerator, as shown.

DESCRIPTION

FIG. 1 is a perspective view as seen from the top, front, and right side of a refrigerator showing our new design;

FIG. 2 is a front elevational view thereof;

FIG. 3 is a rear elevational view thereof;

FIG. 4 is a right side elevational view thereof;

FIG. 5 is a left side elevational view thereof;

FIG. 6 is a top plan view thereof; and,

FIG. 7 is a bottom plan view thereof.

1 Claim, 6 Drawing Sheets

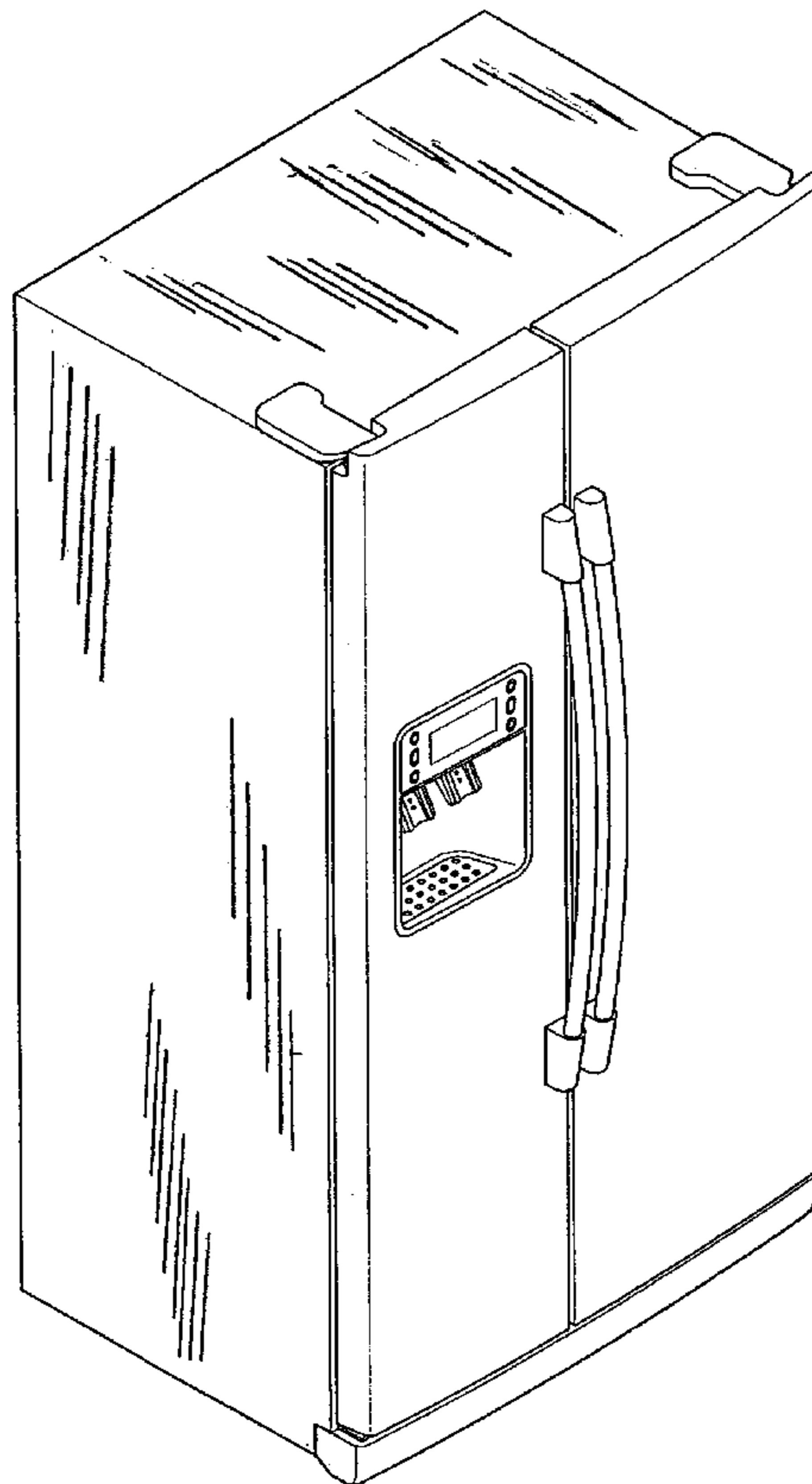
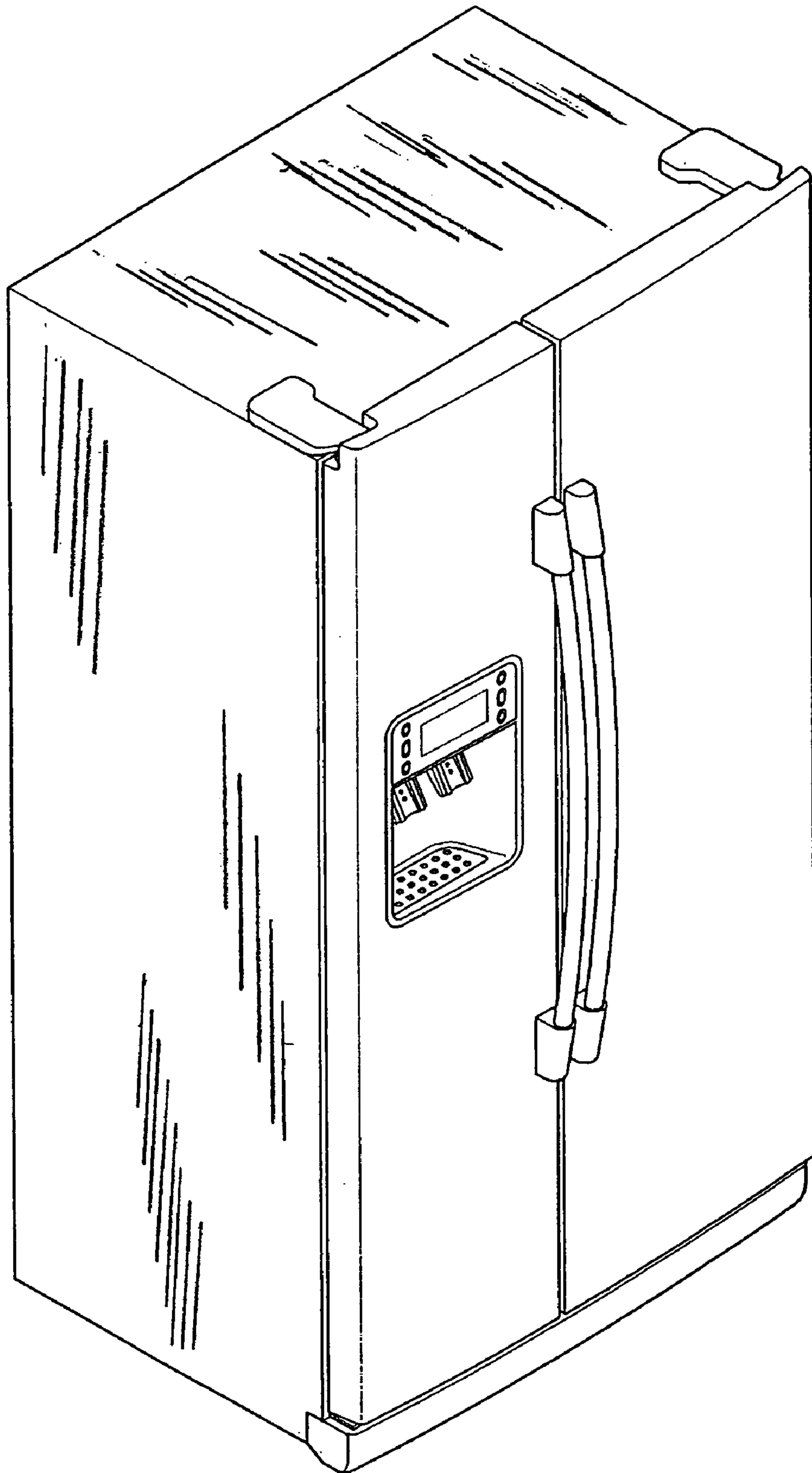


FIG. 1



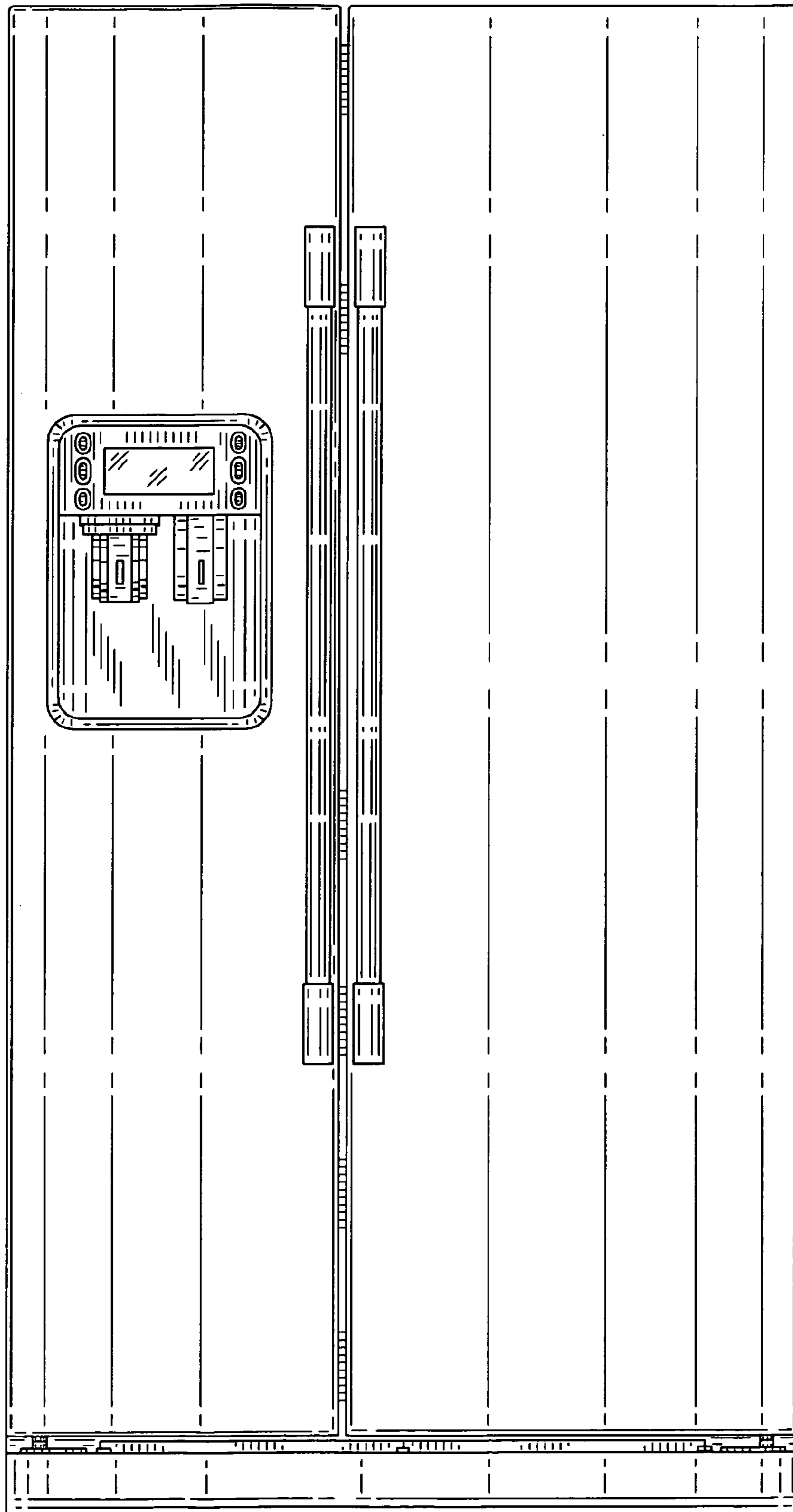


FIG. 2

FIG. 3

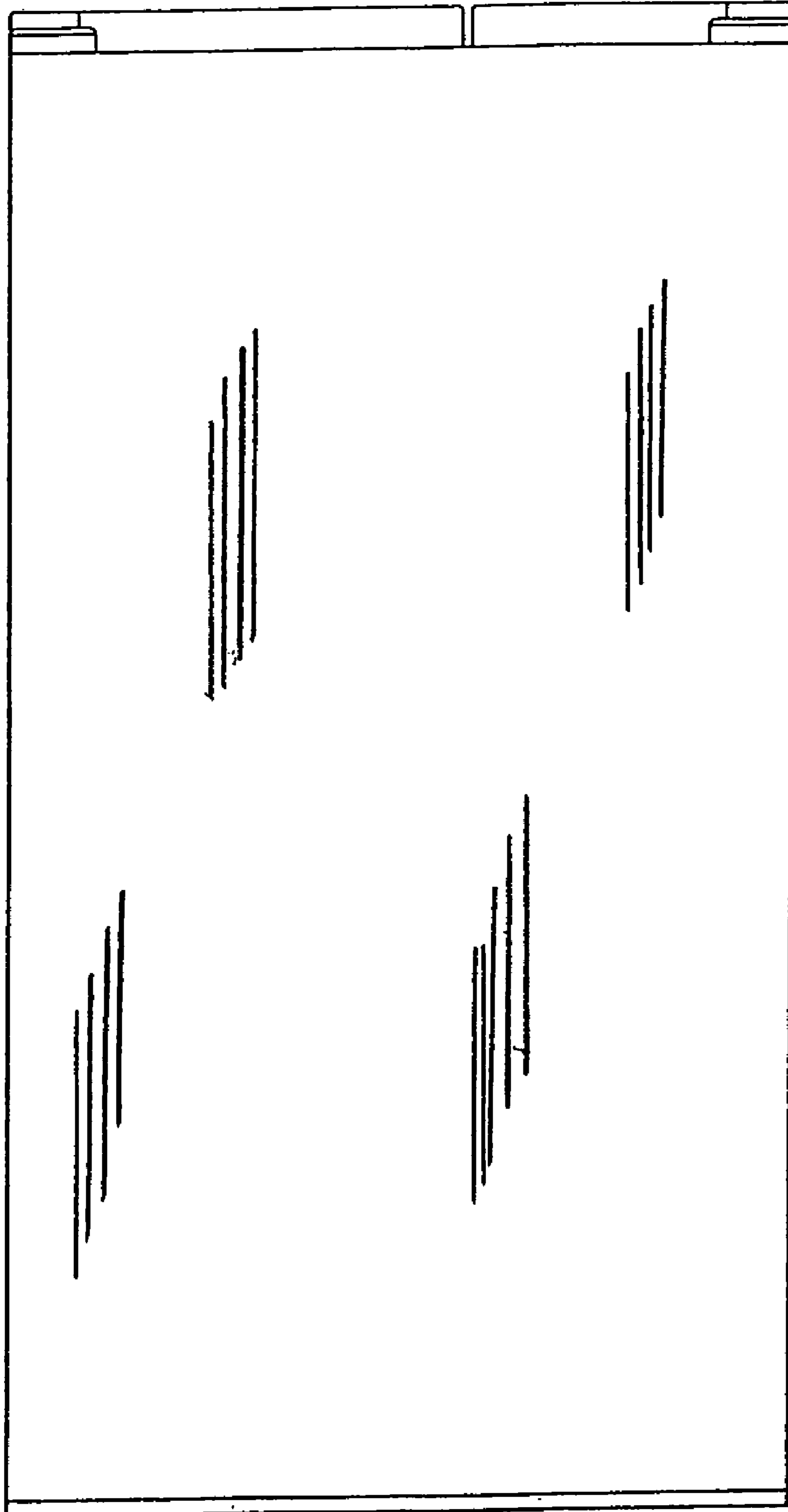


FIG. 4

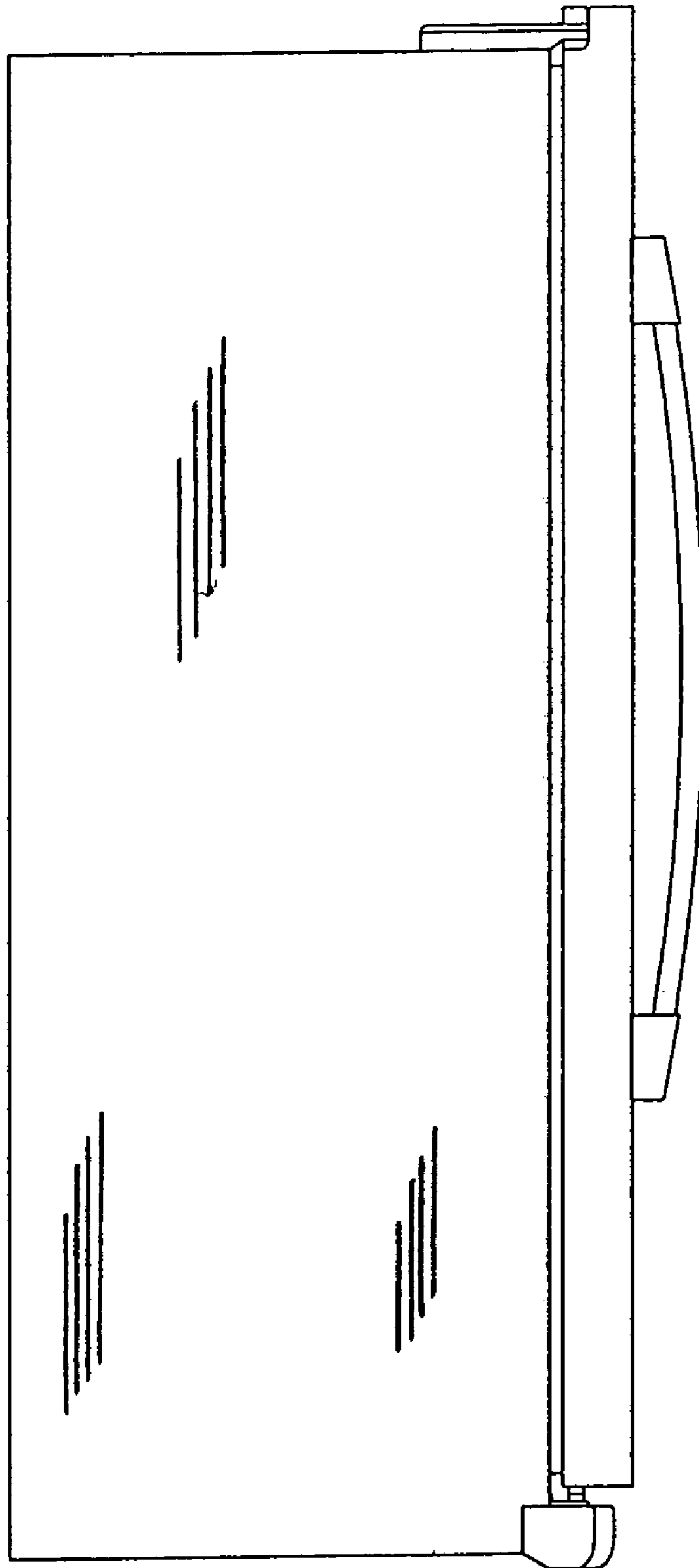


FIG. 5

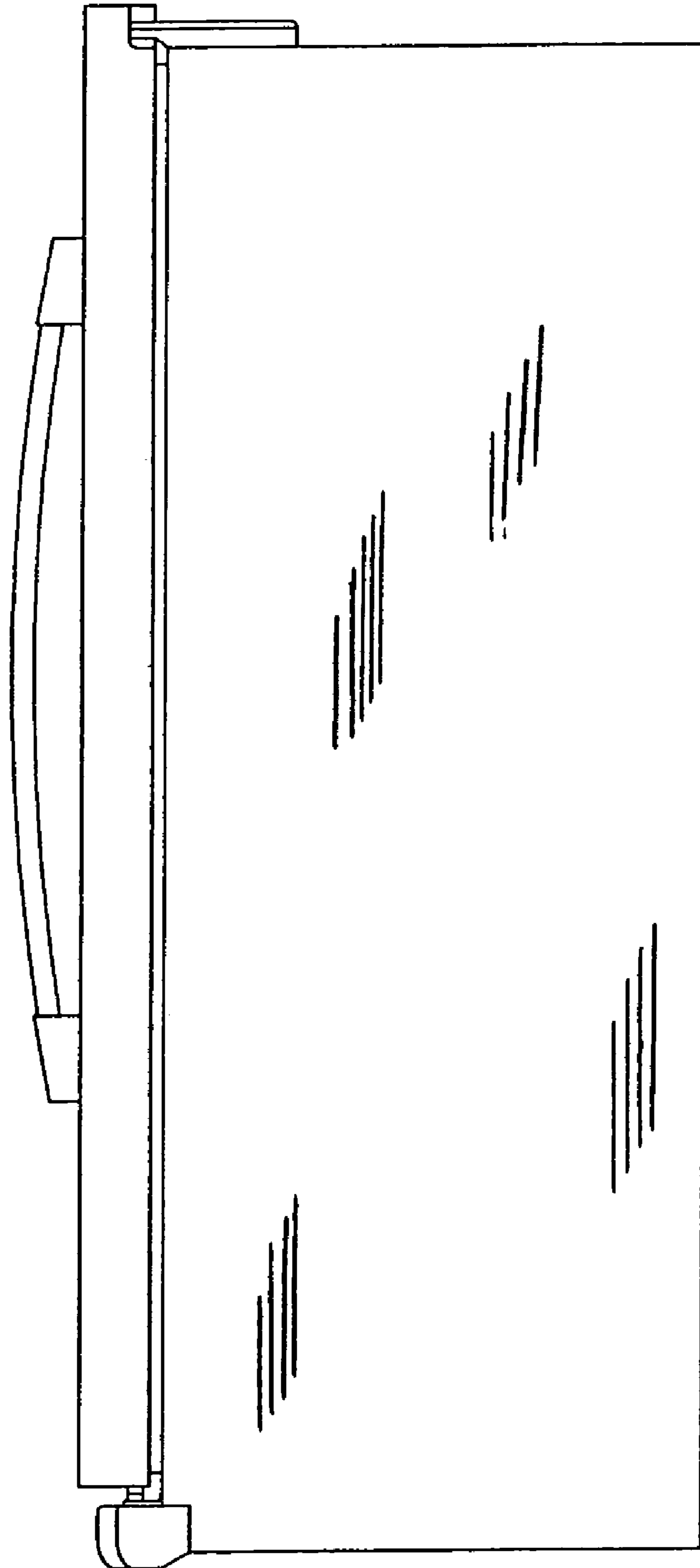


FIG. 6

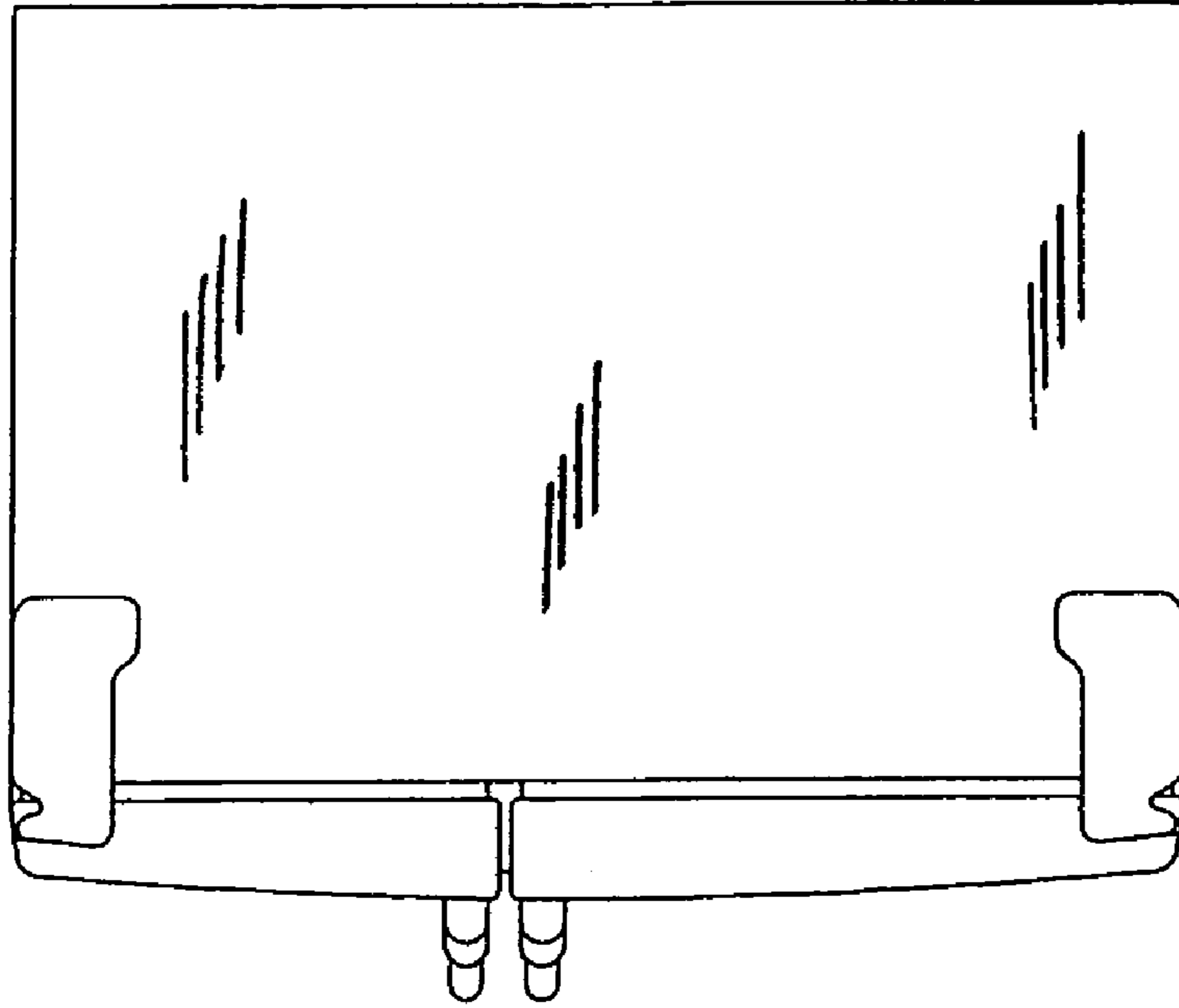


FIG. 7

