

US00D567257S

(12) **United States Design Patent**  
**Wilkens**

(10) **Patent No.:** **US D567,257 S**

(45) **Date of Patent:** **\*\* Apr. 22, 2008**

(54) **LAWN MOWER COVER**

(75) Inventor: **Jeremy Wilkens**, Huntington Beach,  
CA (US)

(73) Assignee: **The Great States Corporation**,  
Shelbyville, IN (US)

(\*\*) Term: **14 Years**

(21) Appl. No.: **29/289,942**

(22) Filed: **Aug. 8, 2007**

(51) **LOC (8) Cl.** ..... **15-03**

(52) **U.S. Cl.** ..... **D15/17**

(58) **Field of Classification Search** ..... D15/14-17,  
D15/28, 31, 33; 52/DIG. 14; 150/157, 166;  
56/17.4, 320.1, 320.2

See application file for complete search history.

(56) **References Cited**

**U.S. PATENT DOCUMENTS**

D177,961 S *	6/1956	Butler	.....	D15/14
D183,733 S *	10/1958	Gale	.....	D15/17
3,087,585 A *	4/1963	Ronnsater et al.	.....	52/125.2
D211,264 S *	6/1968	Stewart	.....	D15/17
D248,761 S *	8/1978	Uhlinger et al.	.....	D15/17
4,178,977 A *	12/1979	Sur et al.	.....	56/320.1
D260,149 S	8/1981	Harris		
5,274,988 A	1/1994	Bruce		
D395,659 S	6/1998	Moiseve		

D414,784 S *	10/1999	Maeda	.....	D15/17
D466,528 S	12/2002	Grundy		
D486,161 S *	2/2004	Greene	.....	D15/28
D512,728 S *	12/2005	Di Rienzo	.....	D15/17

\* cited by examiner

*Primary Examiner*—Stella M. Reid

*Assistant Examiner*—Mark Goodwin

(74) *Attorney, Agent, or Firm*—Barnes & Thornburg LLP

(57) **CLAIM**

The ornamental design for a lawn mower cover, as shown and described.

**DESCRIPTION**

FIG. 1 is a top plan view of a lawn mower cover showing my new design;

FIG. 2 is a bottom plan view thereof;

FIG. 3 is a left side elevational view thereof;

FIG. 4 is a right side elevational view thereof;

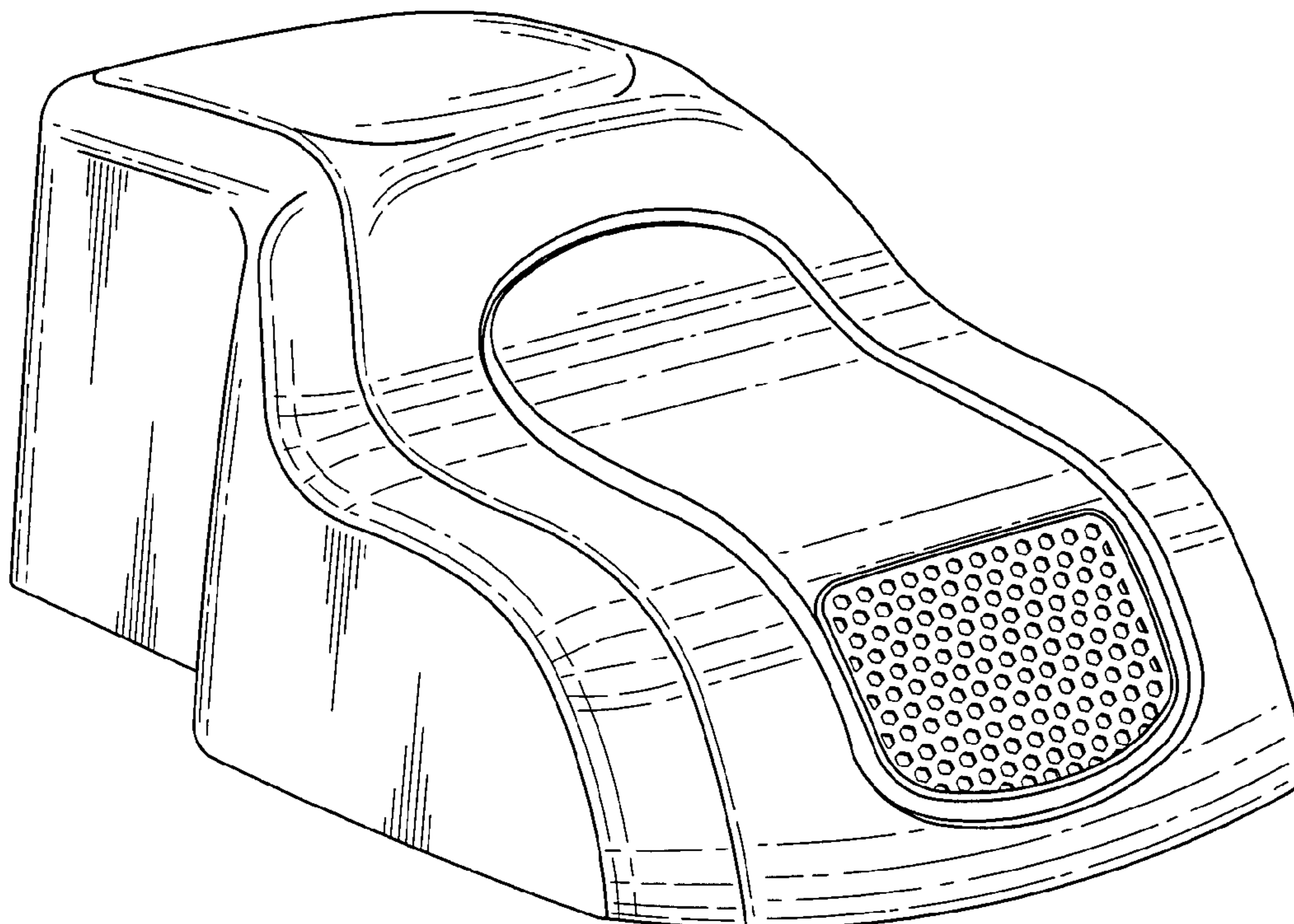
FIG. 5 is a front elevational view thereof;

FIG. 6 is a rear elevational view thereof; and,

FIG. 7 is a perspective view thereof.

It will be appreciated that the dashed lines presented in the drawings are for illustration only, and do not form a part of the claimed design.

**1 Claim, 7 Drawing Sheets**



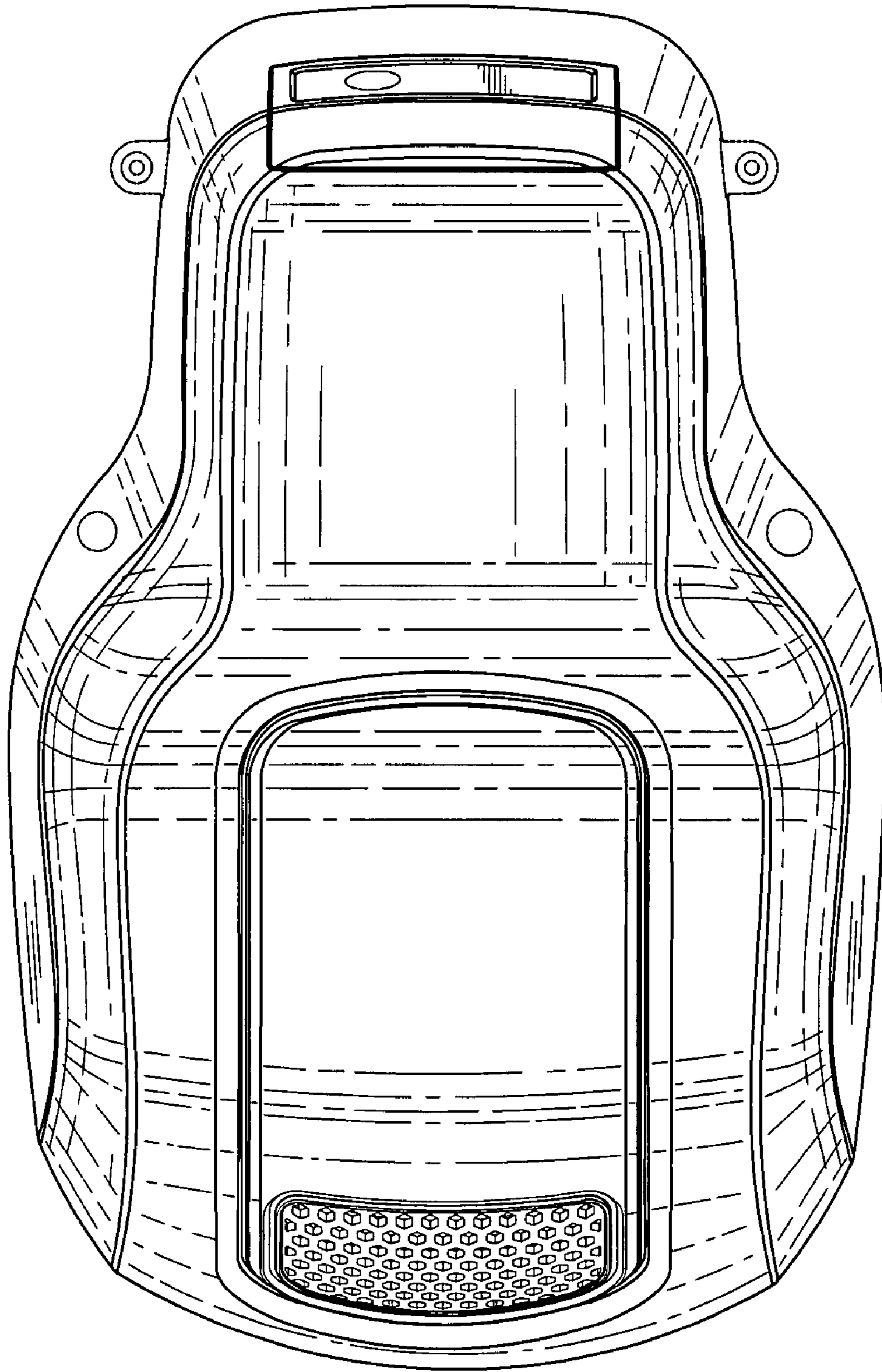


Fig. 1

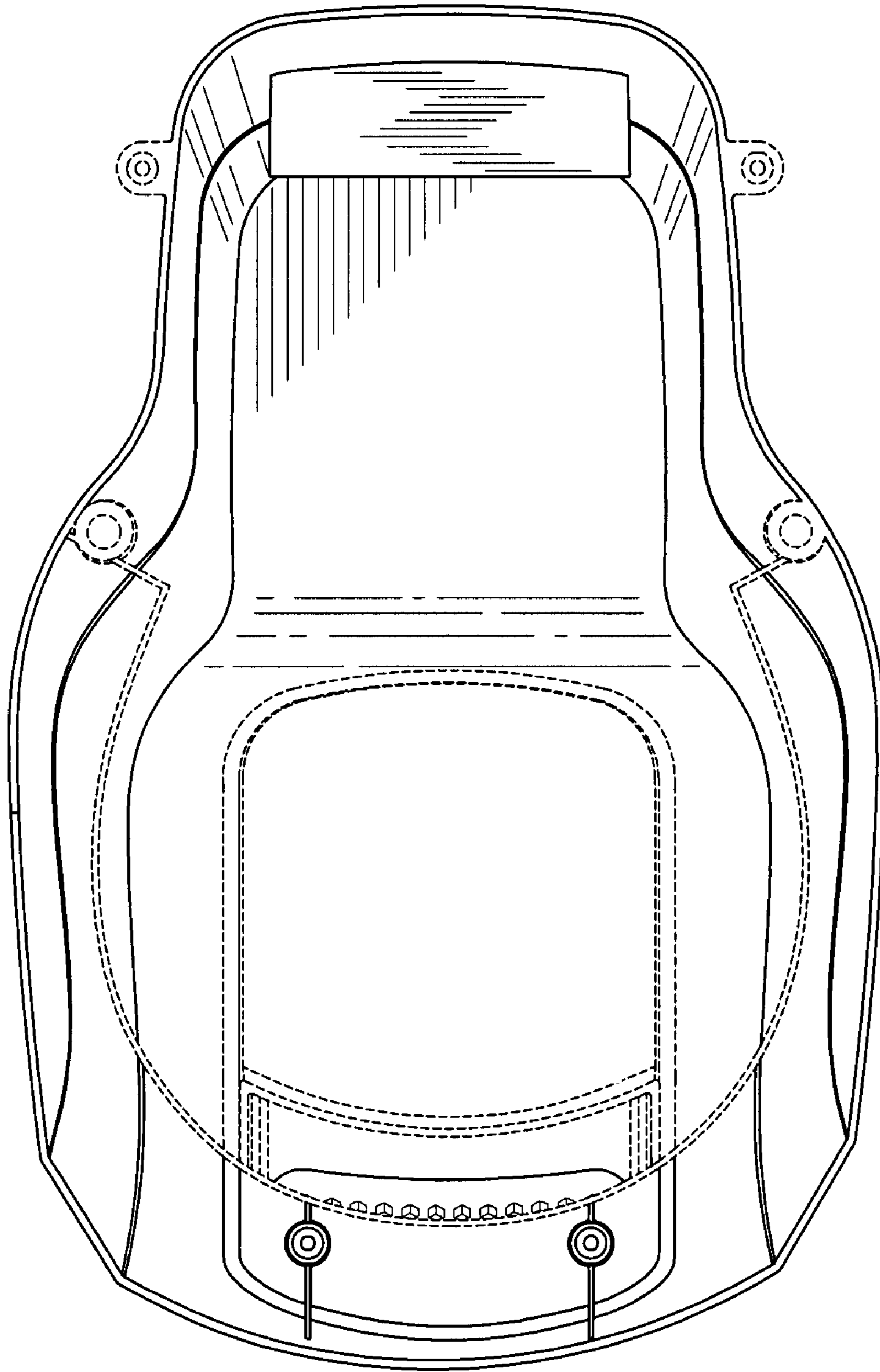


Fig. 2

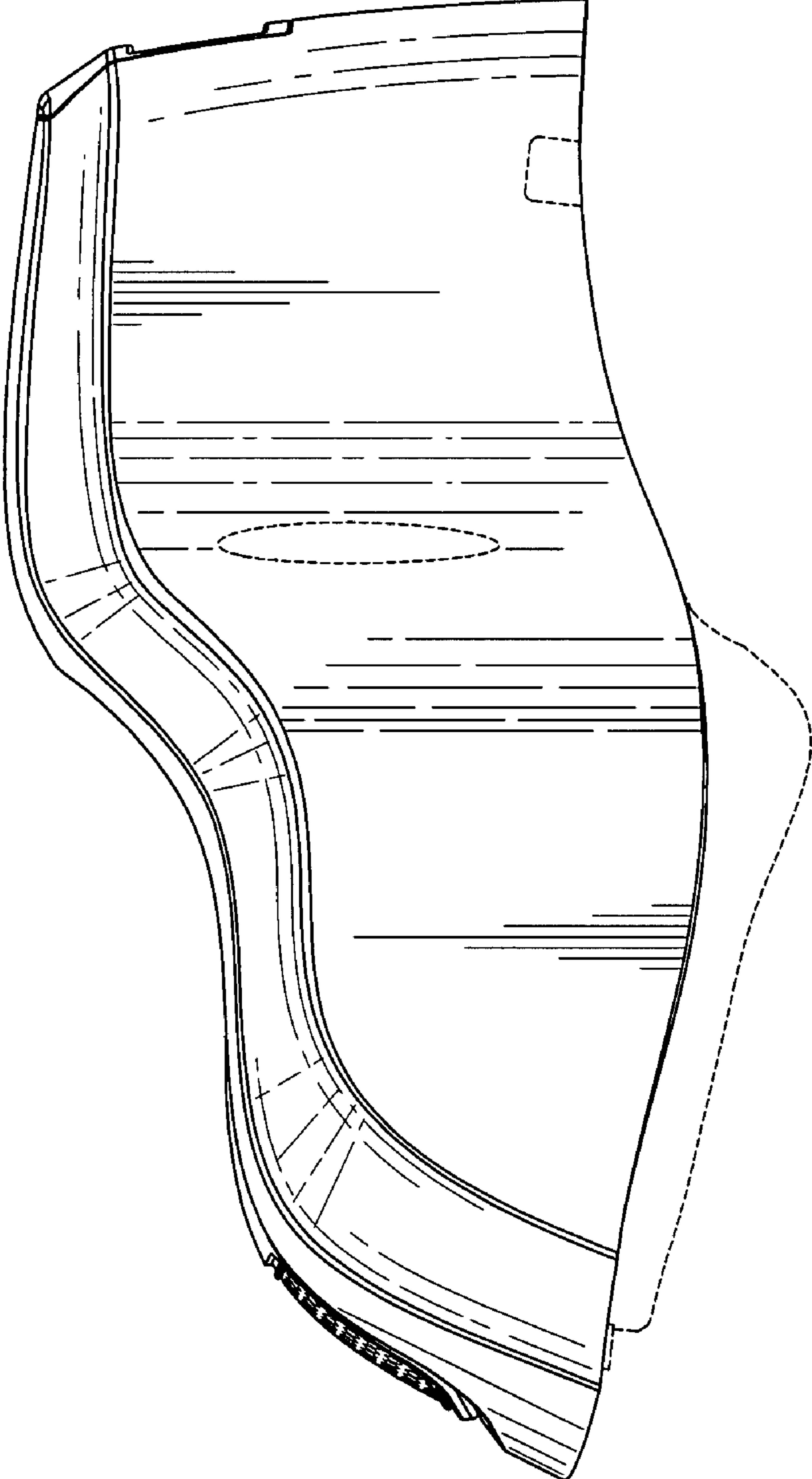


Fig. 3

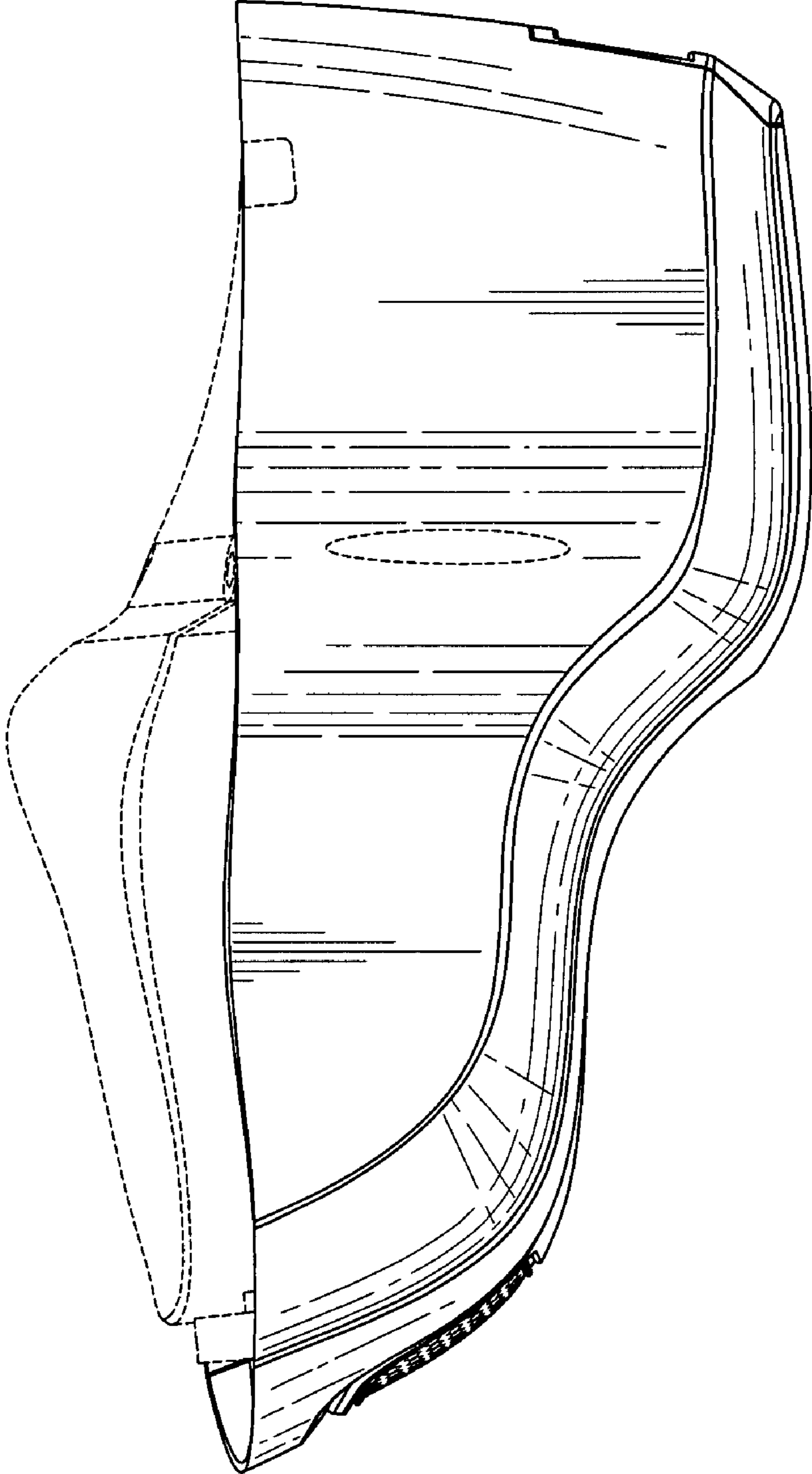


Fig. 4

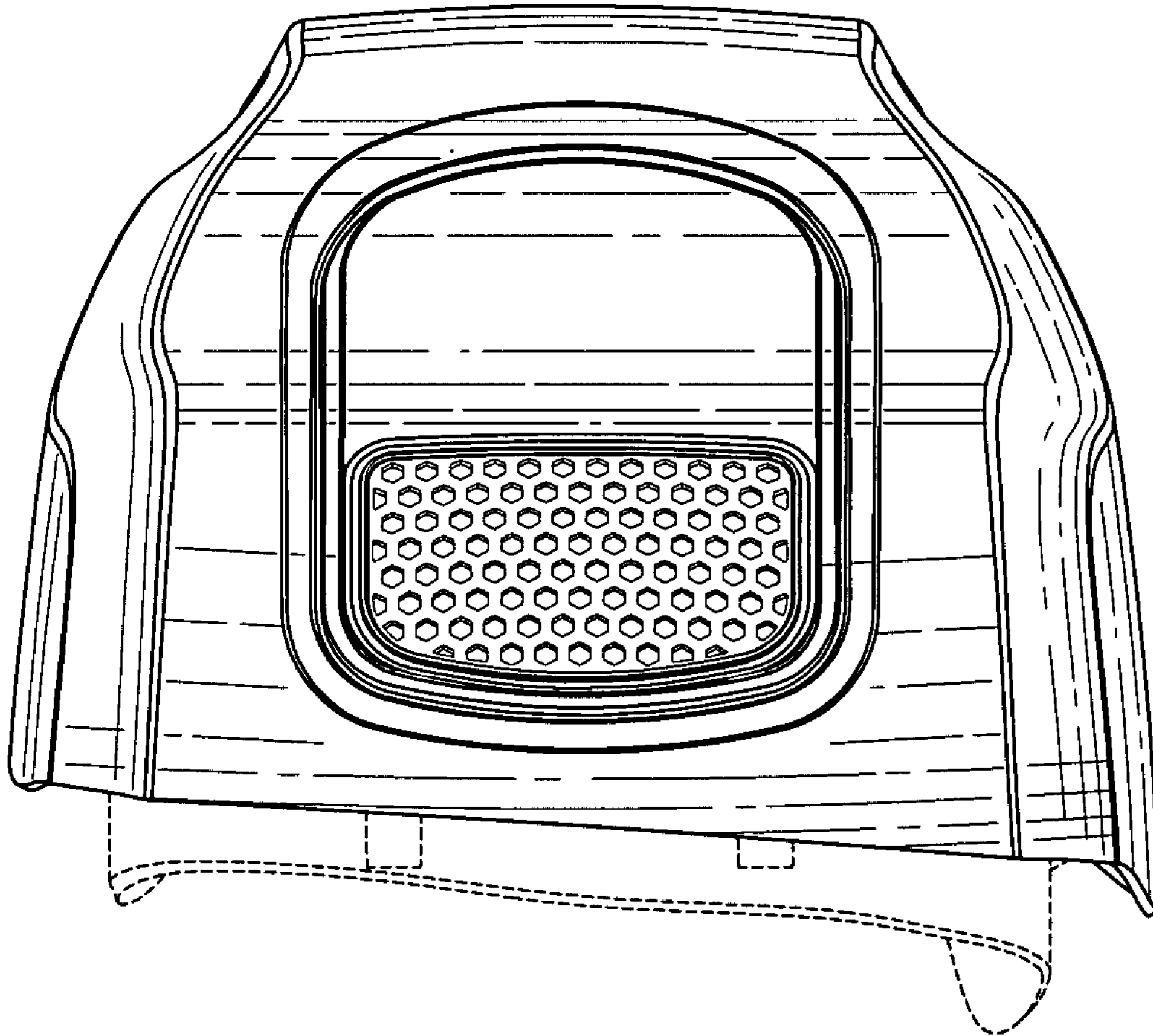


Fig. 5

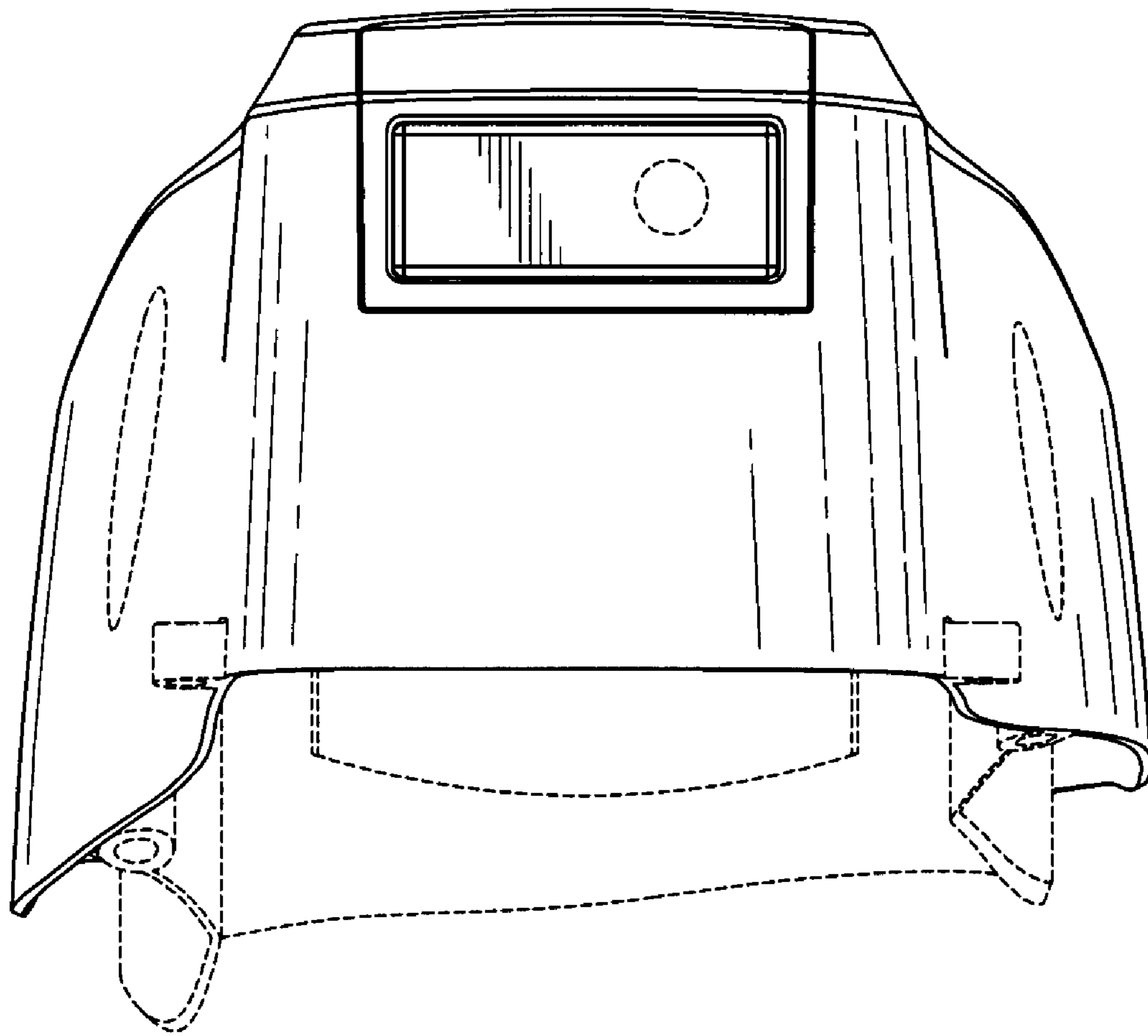


Fig. 6

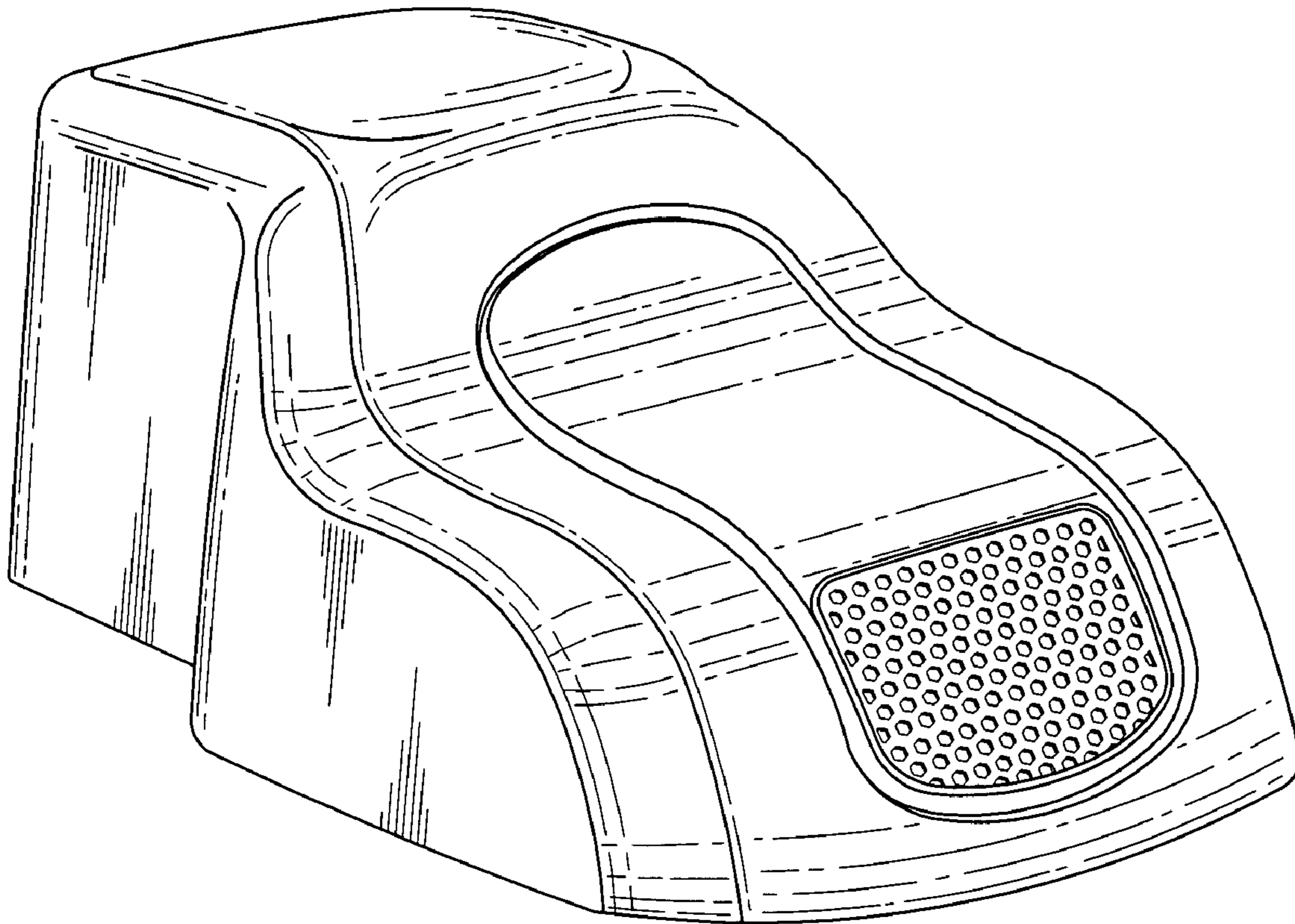


Fig. 7