



US00D567256S

(12) **United States Design Patent**
Hu

(10) **Patent No.:** **US D567,256 S**
(45) **Date of Patent:** **** Apr. 22, 2008**

(54) **GASOLINE ENGINE WITH TWO CYLINDERS**

6,382,196 B2 * 5/2002 Kawamoto et al. 123/580

* cited by examiner

(76) Inventor: **Jirong Hu**, Xingyue Group Co., Ltd.,
Gushan Industrial Park, Yongkang,
Zhejiang Province (CN)

Primary Examiner—Ian Simmons
Assistant Examiner—Maurice Stevens

(**) Term: **14 Years**

(57) **CLAIM**

(21) Appl. No.: **29/233,813**

The ornamental design for a gasoline engine with two cylinders, as shown.

(22) Filed: **Jul. 11, 2005**

DESCRIPTION

(51) **LOC (8) Cl.** **15-01**

FIG. 1 is a front elevational view of a gasoline engine with two cylinders showing my new design;

(52) **U.S. Cl.** **D15/1**

FIG. 2 is a rear elevational view thereof;

(58) **Field of Classification Search** D15/1-5;
D12/110, 114, 194; 123/52.1, 54.1, 54.2,
123/54.5, 572, 527, 317, 337, 90.38, 568.14,
123/568.17, 198 E, 184.21-184.57; 60/312,
60/317

FIG. 3 is a left side view thereof;

FIG. 4 is a right side view thereof;

FIG. 5 is a top plan view thereof;

See application file for complete search history.

FIG. 6 is a bottom plan view thereof; and,

FIG. 7 is a perspective view thereof.

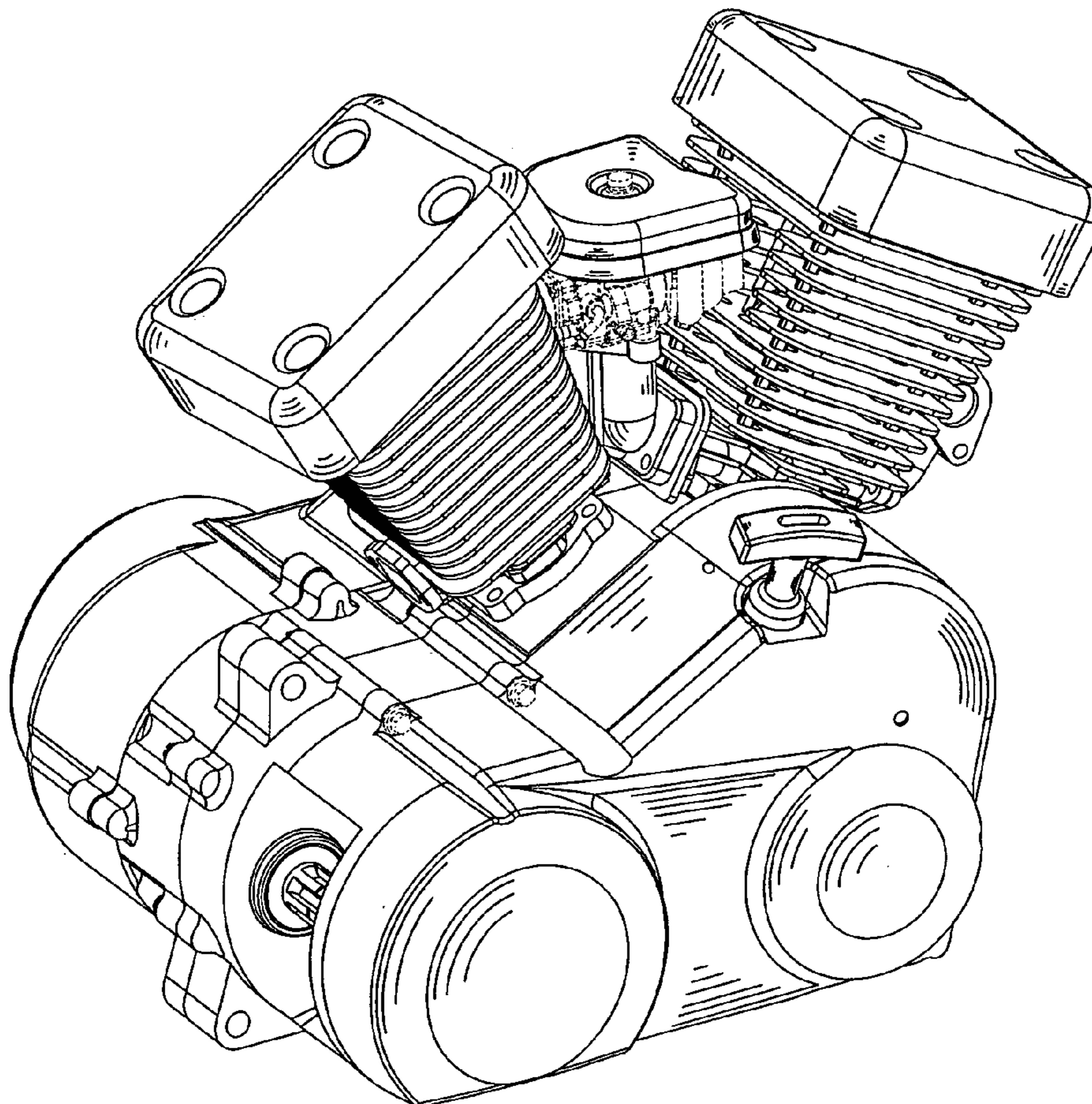
(56) **References Cited**

The broken line showing portions of the gasoline engine with two cylinders are included for information purposes only and form no part of the claimed design.

U.S. PATENT DOCUMENTS

1,826,005 A * 10/1931 Knox et al. 123/41.52
4,870,928 A * 10/1989 Miyake et al. 123/184.37
D449,620 S * 10/2001 Feuling D15/1

1 Claim, 7 Drawing Sheets



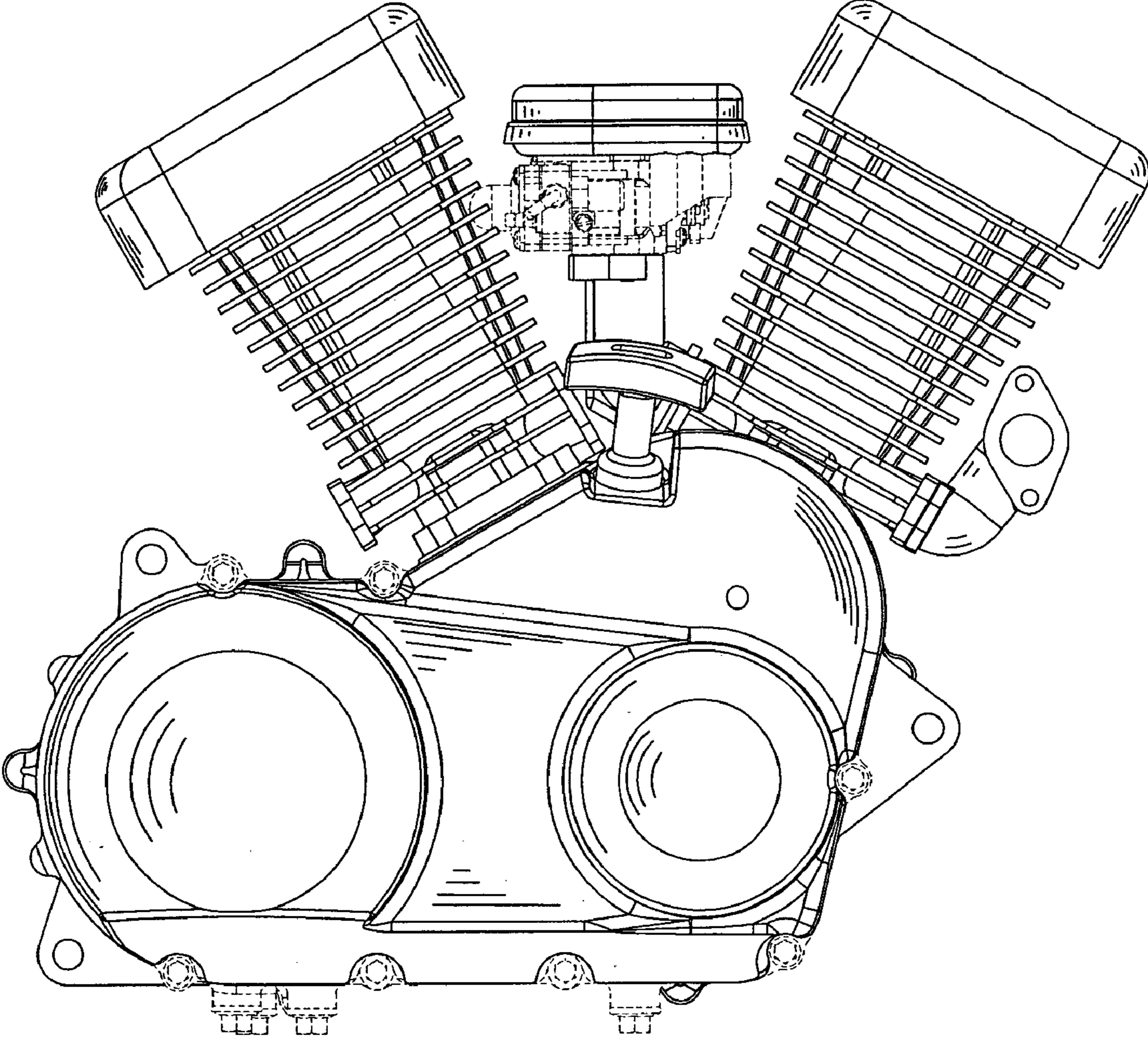


FIG. 1

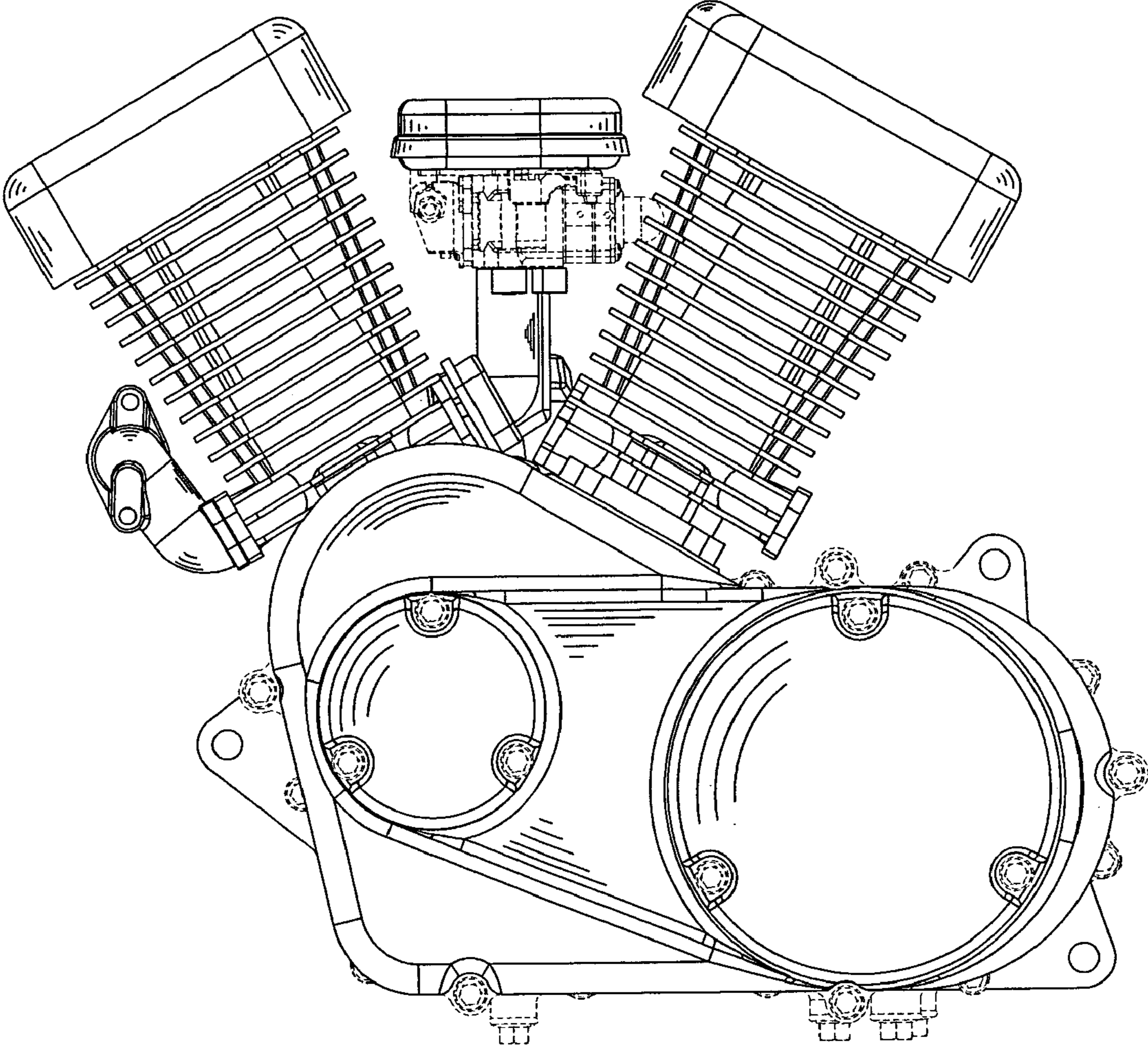


FIG. 2

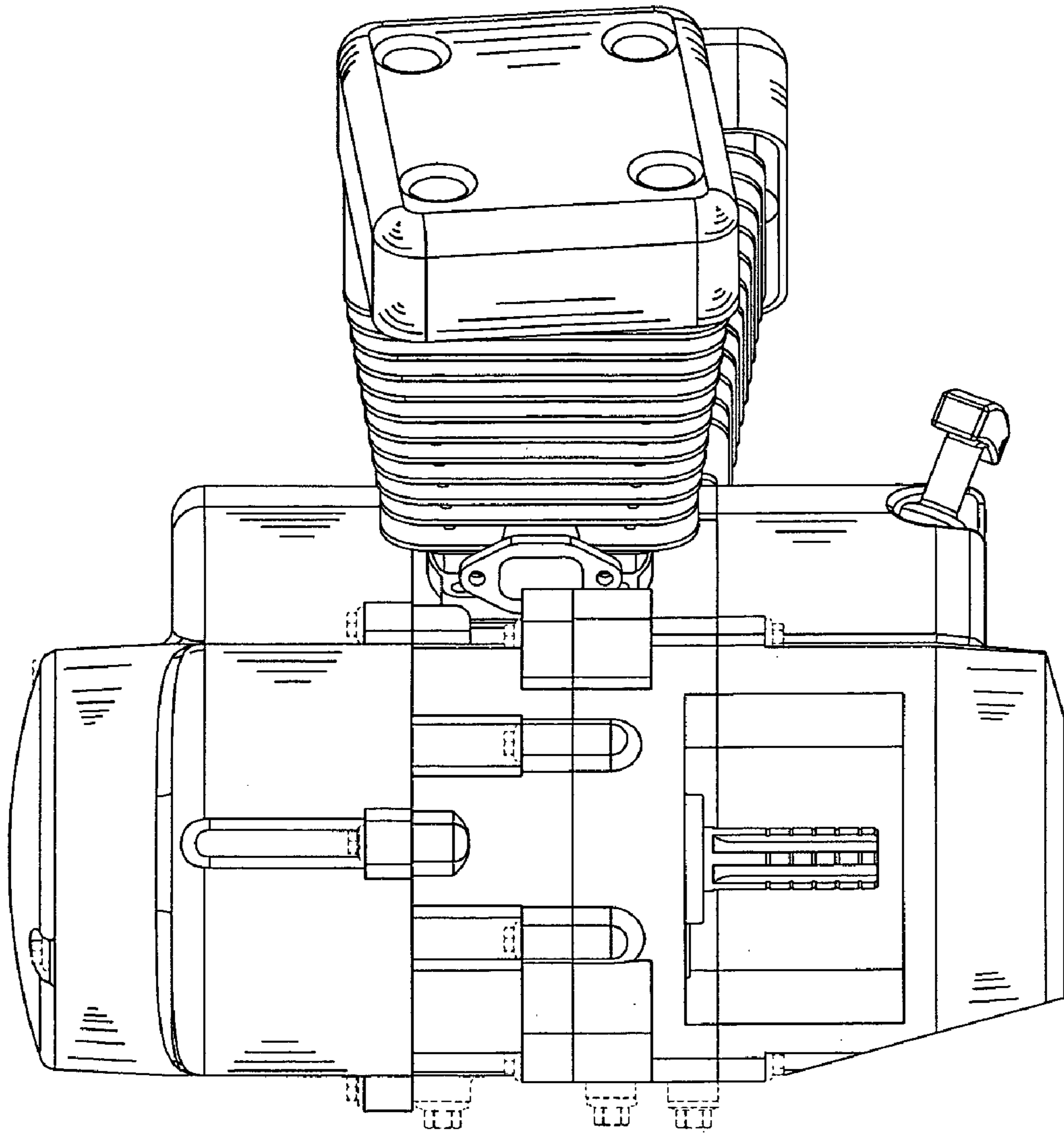


FIG. 3

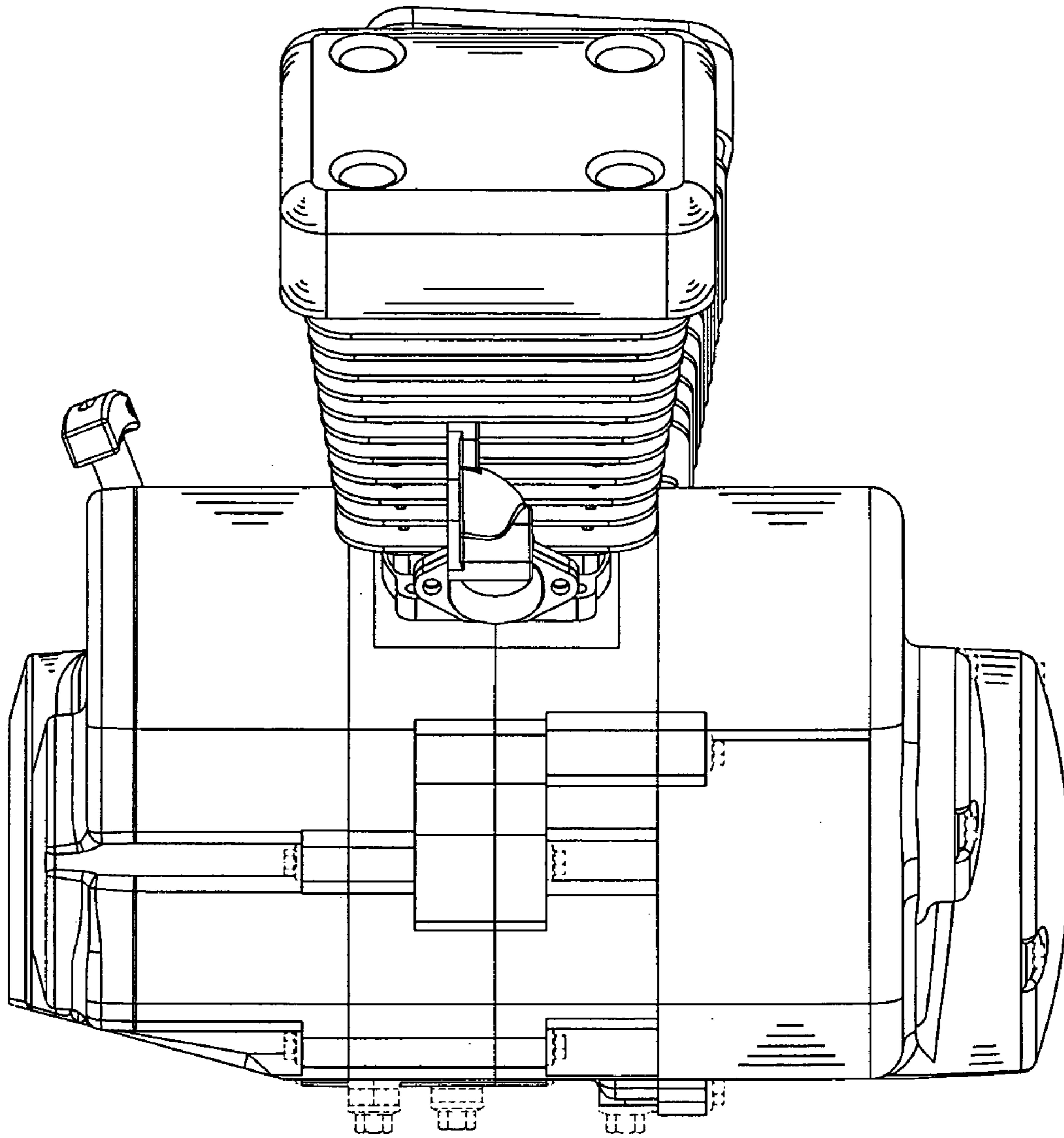


FIG. 4

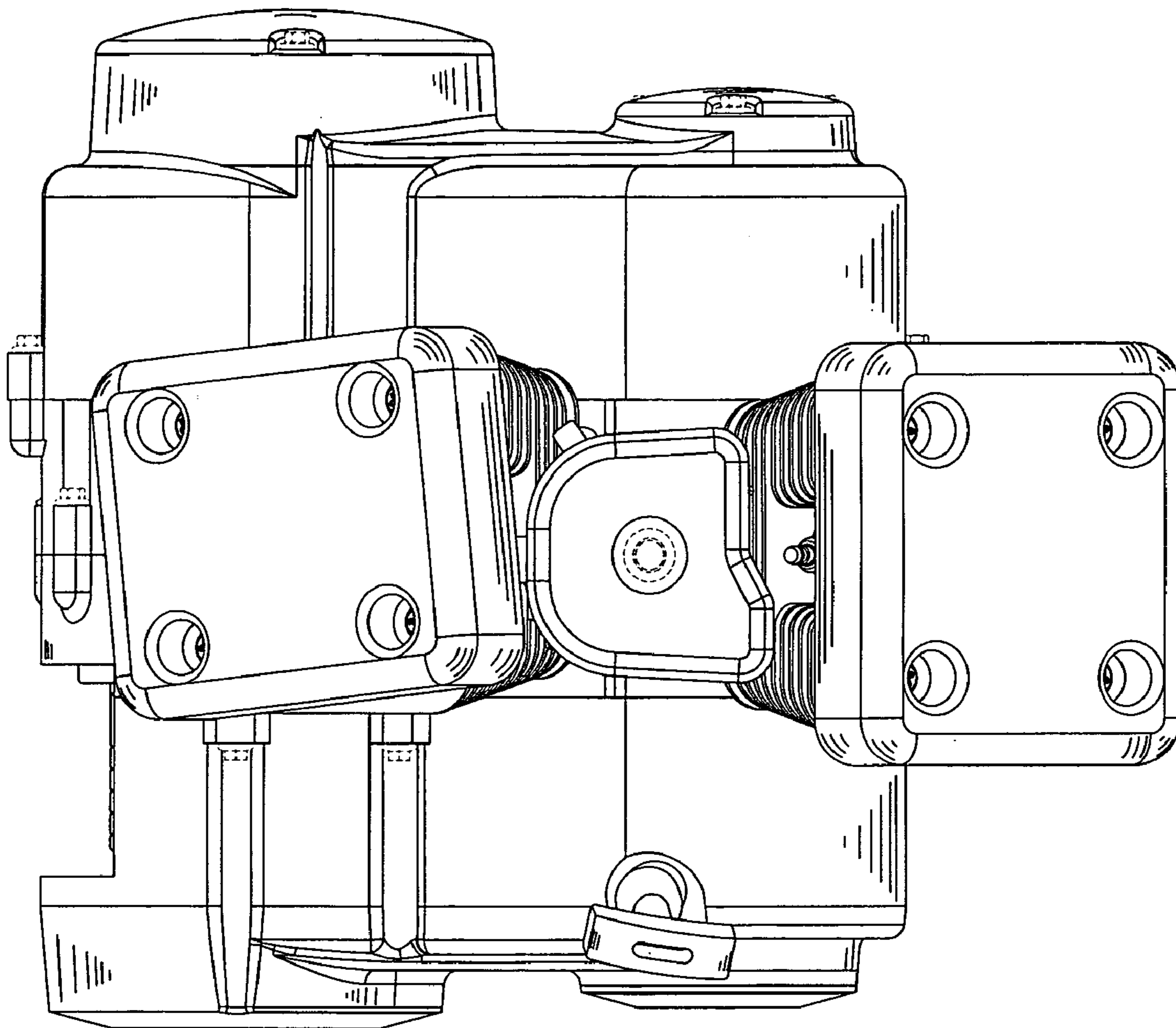


FIG. 5

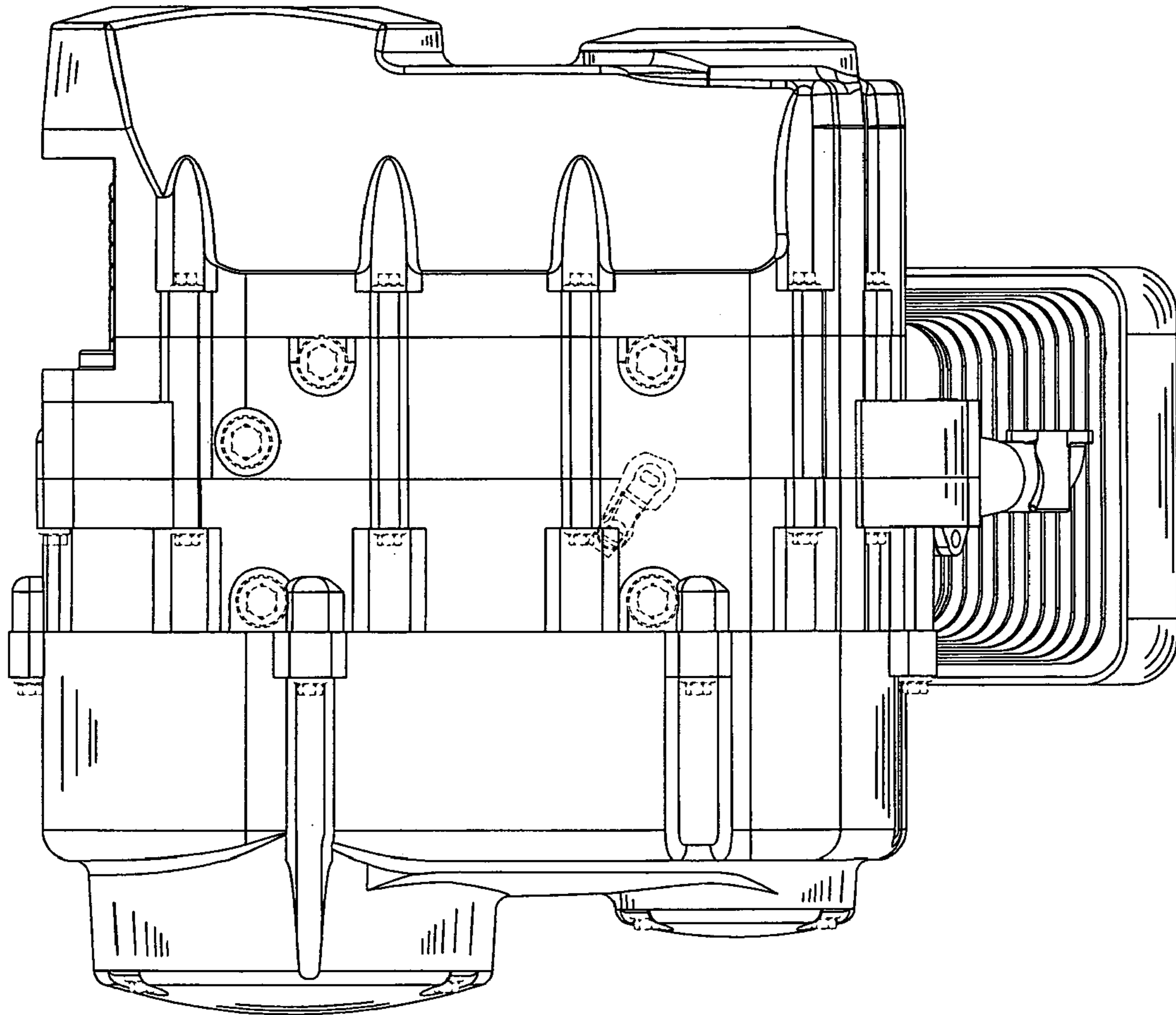


FIG. 6

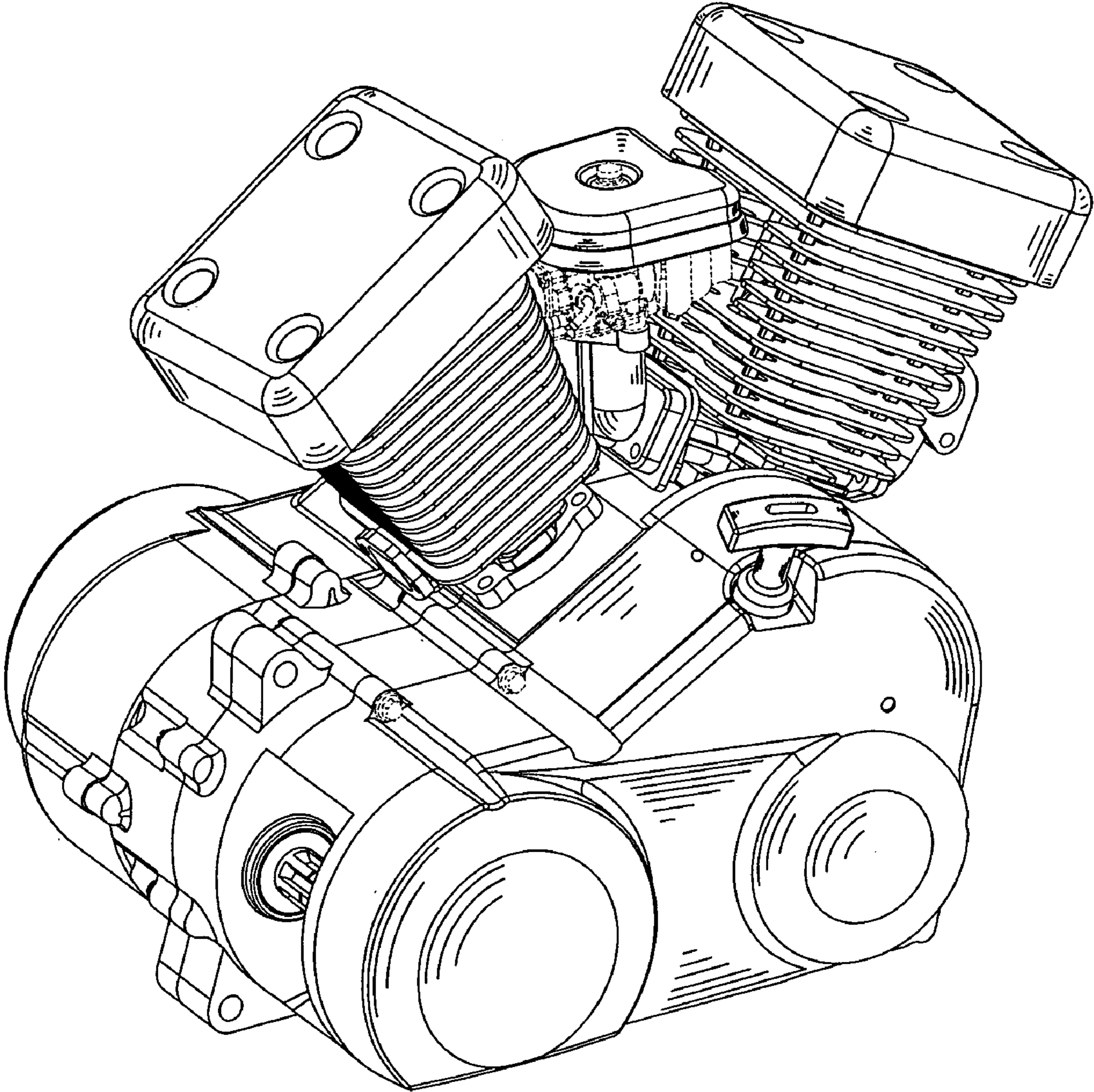


FIG. 7