



US00D567248S

(12) **United States Design Patent**  
**Barksdale**

(10) **Patent No.:** **US D567,248 S**

(45) **Date of Patent:** **\*\* Apr. 22, 2008**

(54) **OPTICAL MEDIA STORAGE DEVICE**

(76) **Inventor:** **Arlen Barksdale**, P.O. Box 231758,  
Encinitas, CA (US) 92024

(\*\*) **Term:** **14 Years**

(21) **Appl. No.:** **29/267,639**

(22) **Filed:** **Oct. 17, 2006**

(51) **LOC (8) Cl.** ..... **14-99**

(52) **U.S. Cl.** ..... **D14/478**

(58) **Field of Classification Search** ..... D14/474,  
D14/478-480; D19/9, 10; D8/20, 350, 352;  
D7/550.1, 554.1-554.4; D21/334, 338, 362,  
D21/390, 443, 444; 360/131, 133, 135, 97.01-97.04,  
360/98.01-98.08, 99.01-99.12; 369/272.1,  
369/280-282; 720/718, 725, 745  
See application file for complete search history.

(56) **References Cited**

**U.S. PATENT DOCUMENTS**

4,812,633	A *	3/1989	Vogelgesang et al. ....	235/487
5,770,289	A *	6/1998	Tracy .....	428/40.1
5,852,598	A *	12/1998	Wiest .....	720/718
5,982,736	A *	11/1999	Pierson .....	369/273
D419,152	S *	1/2000	Lowenstein .....	D14/478
D429,733	S *	8/2000	Jones et al. ....	D14/479
D435,853	S *	1/2001	Mehta et al. ....	D14/478
D444,153	S *	6/2001	Dhillon .....	D14/478
D444,154	S *	6/2001	Dhillon .....	D14/478
D444,792	S *	7/2001	Dhillon .....	D14/478
D445,767	S *	7/2001	Myers .....	D14/478

D449,309	S *	10/2001	Dhillon .....	D14/478
D463,442	S *	9/2002	Dhillon .....	D14/478
D464,059	S *	10/2002	Dhillon .....	D14/478
D465,225	S *	11/2002	Dhillon .....	D14/478
6,510,124	B1 *	1/2003	Wood .....	369/273
6,534,142	B1 *	3/2003	Hummell et al. ....	369/282
6,754,165	B2 *	6/2004	Burnett .....	369/272.1
6,762,988	B2 *	7/2004	Wood .....	369/273
6,899,942	B2 *	5/2005	Clark .....	428/138
D549,711	S *	8/2007	Hakoyama .....	D14/478

\* cited by examiner

*Primary Examiner*—Cathron Brooks

*Assistant Examiner*—Deanna Fluegeman

(74) *Attorney, Agent, or Firm*—Gary L. Eastman

(57) **CLAIM**

The ornamental design for an optical media storage device, as shown and described.

**DESCRIPTION**

FIG. 1 is a perspective view of optical media storage device showing my new design;

FIG. 2 is a top view thereof;

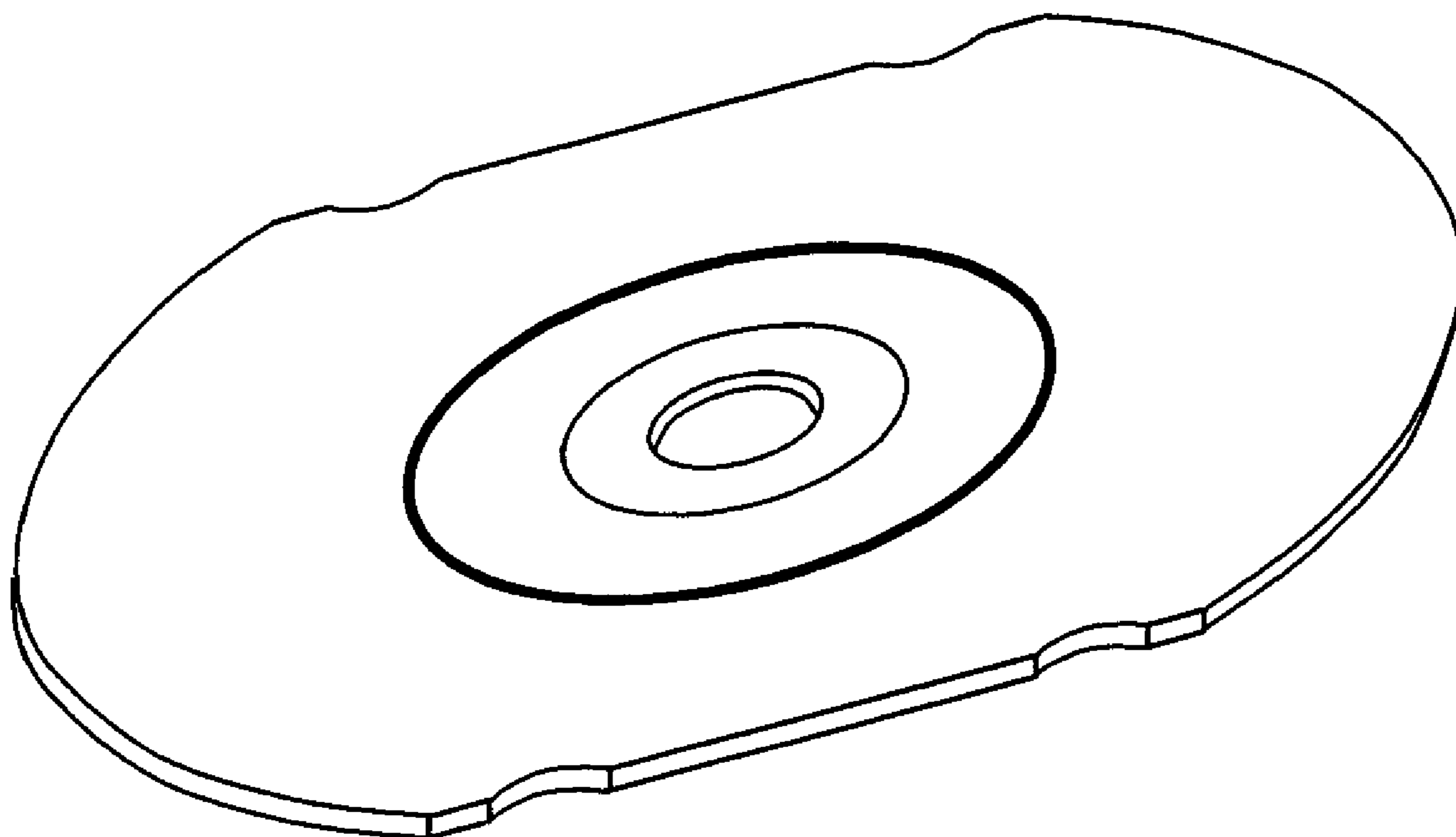
FIG. 3 is a left side view thereof;

FIG. 4 is a bottom view thereof; and,

FIG. 5 is a front end view thereof.

The right side view is a mirror image of FIG. 3, and the back end view is a mirror image of FIG. 5.

**1 Claim, 3 Drawing Sheets**



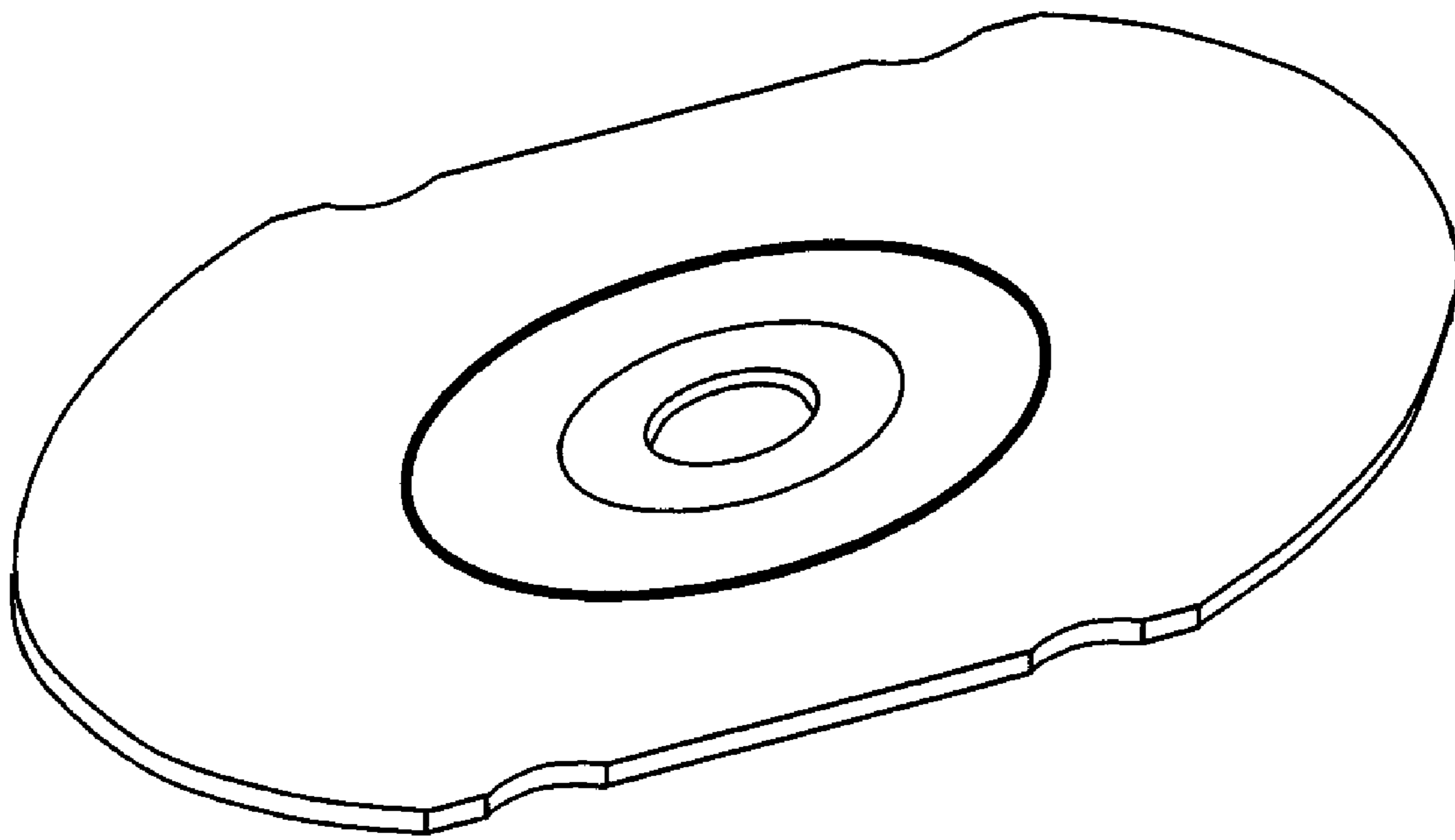


Figure 1

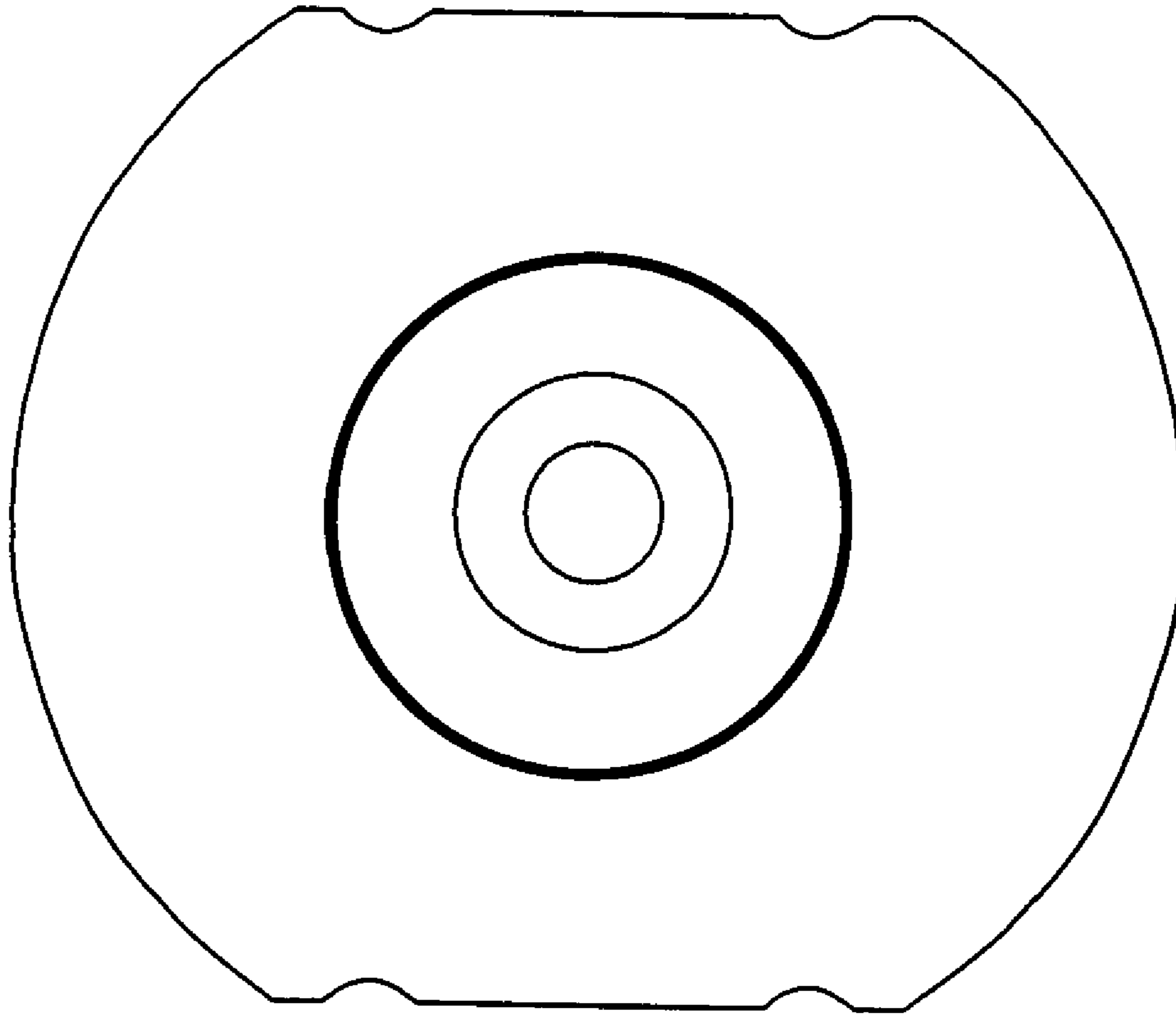


Figure 2

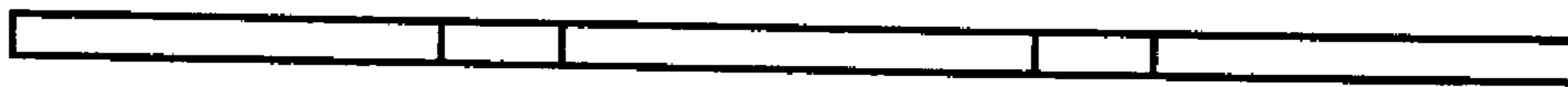


Figure 3

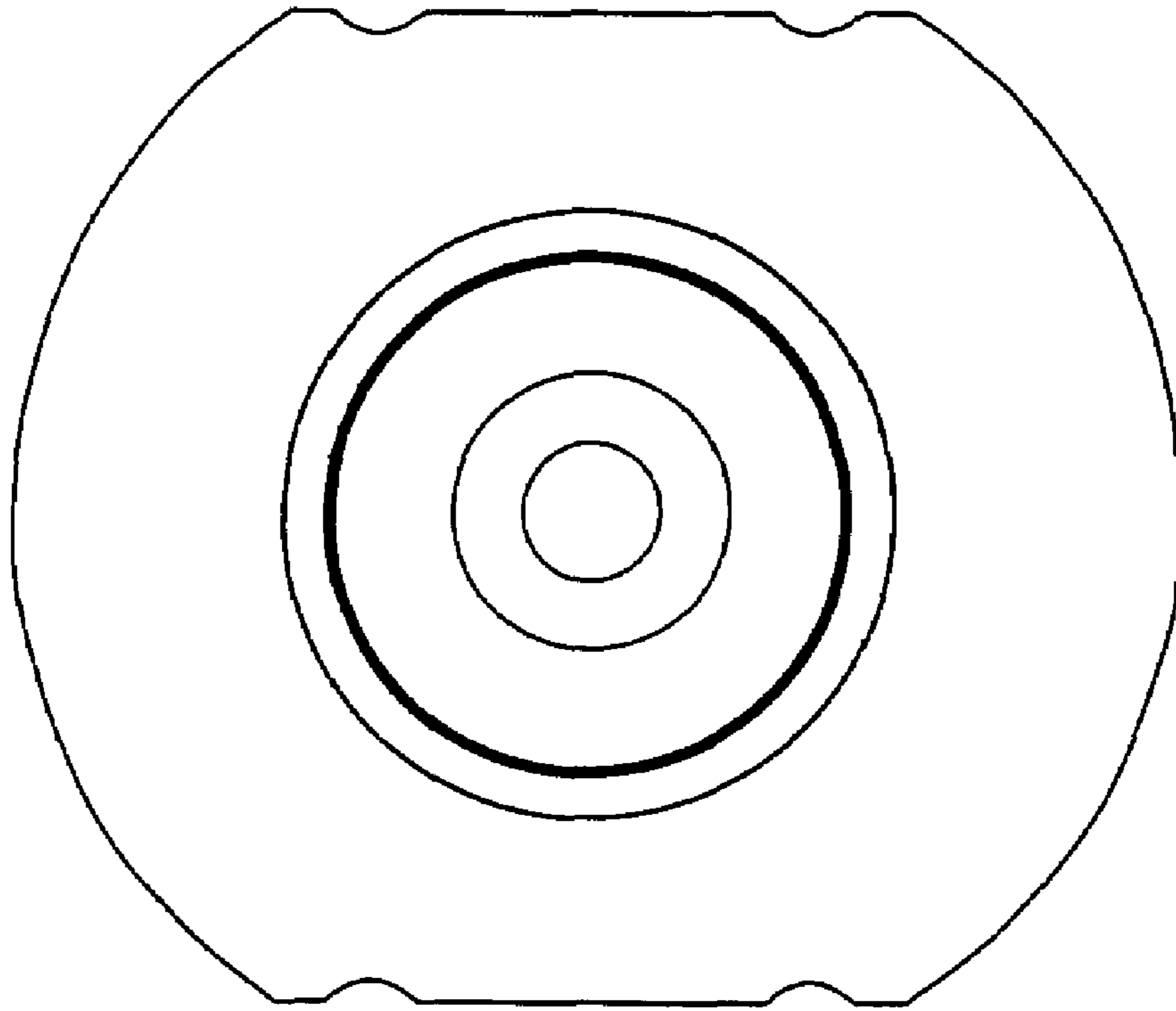


Figure 4



Figure 5