



US00D567245S

(12) **United States Design Patent**  
**Edwards**

(10) **Patent No.:** **US D567,245 S**  
(45) **Date of Patent:** **\*\* Apr. 22, 2008**

(54) **SURGICAL DRAPE FOR FLAT PANEL  
SCREEN DISPLAYS AND TOUCH SCREEN  
SURGICAL INPUT DEVICES**

Fellowes Flat Screen Dust Cover, Sep. 18, 2004, <http://web.archive.org/web/20040918151908/http://comparestoreprices.co.uk/filing-cabinets/fellowes-flat-screen-dust-cover.asp>.\*

(75) Inventor: **Craig Edwards**, Mission Viejo, CA  
(US)

*Primary Examiner*—Cathron Brooks  
*Assistant Examiner*—Angela J Lee

(73) Assignee: **Advanced Medical Optics, Inc.**, Santa  
Ana, CA (US)

(57) **CLAIM**

(\*\*) Term: **14 Years**

The ornamental design for surgical drape for flat panel screen displays and touch screen surgical input devices, as shown and described.

(21) Appl. No.: **29/250,319**

(22) Filed: **Nov. 9, 2006**

(51) **LOC (8) Cl.** ..... **14-02**

(52) **U.S. Cl.** ..... **D14/448**

(58) **Field of Classification Search** ..... D14/126,  
D14/132, 134, 217, 239, 328, 336, 371, 374,  
D14/375, 432, 439, 440, 448, 449, 450, 451;  
345/905; 348/786, 787, 788, 789, 794, 818,  
348/823, 834, 835, 836, 842; 349/58; 359/599,  
359/601, 608, 609; 361/681, 724, 727; D9/702,  
D9/703, 707, 709, 711, 713; 128/849; 383/100  
See application file for complete search history.

**DESCRIPTION**

(56) **References Cited**

**U.S. PATENT DOCUMENTS**

|           |     |         |               |       |         |
|-----------|-----|---------|---------------|-------|---------|
| 2,709,945 | A * | 6/1955  | Kuhn          | ..... | 359/608 |
| 3,310,225 | A * | 3/1967  | Hoblit et al. | ..... | 383/86  |
| 4,057,949 | A * | 11/1977 | Grefte        | ..... | 53/434  |
| D297,306  | S * | 8/1988  | King          | ..... | D9/709  |
| D344,015  | S * | 2/1994  | Jacobson      | ..... | D9/707  |
| D347,994  | S * | 6/1994  | Hammond       | ..... | D9/703  |
| 5,429,142 | A   | 7/1995  | Szabo et al.  |       |         |
| D361,993  | S * | 9/1995  | Egly et al.   | ..... | D14/450 |
| 5,732,712 | A   | 3/1998  | Adair         |       |         |
| 5,765,565 | A   | 6/1998  | Adair         |       |         |
| D401,576  | S * | 11/1998 | Watkins       | ..... | D14/450 |

(Continued)

**OTHER PUBLICATIONS**

Computer Dust Solutions, Jul. 18, 2006, <http://web.archive.org/web/20060718014828/http://www.computerdust.com/order.html>.\*

FIG. 1 is a front perspective view of a surgical drape for flat panel screen displays and touch screen surgical input devices showing my new design with its intended environment (including a flat panel touch screen) in use;

FIG. 2 is a front perspective view thereof;

FIG. 3 is a top plan view thereof;

FIG. 4 is a front elevational view thereof;

FIG. 5 is a left side elevational view, the right side elevational view being a mirror image thereof;

FIG. 6 is a right side elevational view, the left side elevational view being a mirror image thereof;

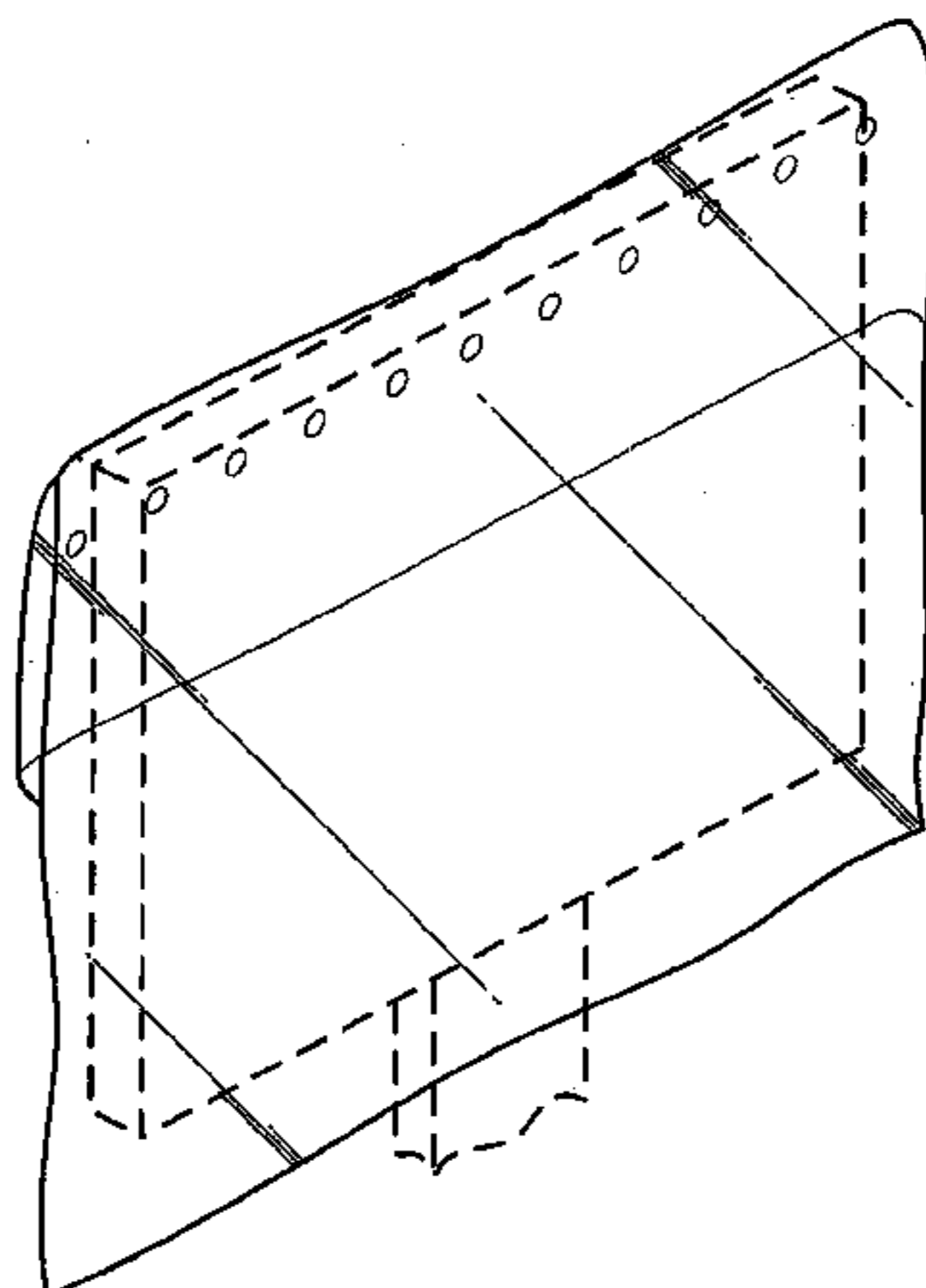
FIG. 7 is a bottom plan view thereof; and,

FIG. 8 is a rear elevational view thereof.

It is understood that the top portion of the surgical drape for flat panel screen displays and touch screen surgical input devices consists of two layers, but because the material is thin, it is shown with a single line in FIGS. 2–8.

The broken line showing of a flat panel touch screen is included for the purpose of illustrating environmental structure and forms no part of the claimed design.

**1 Claim, 2 Drawing Sheets**



# US D567,245 S

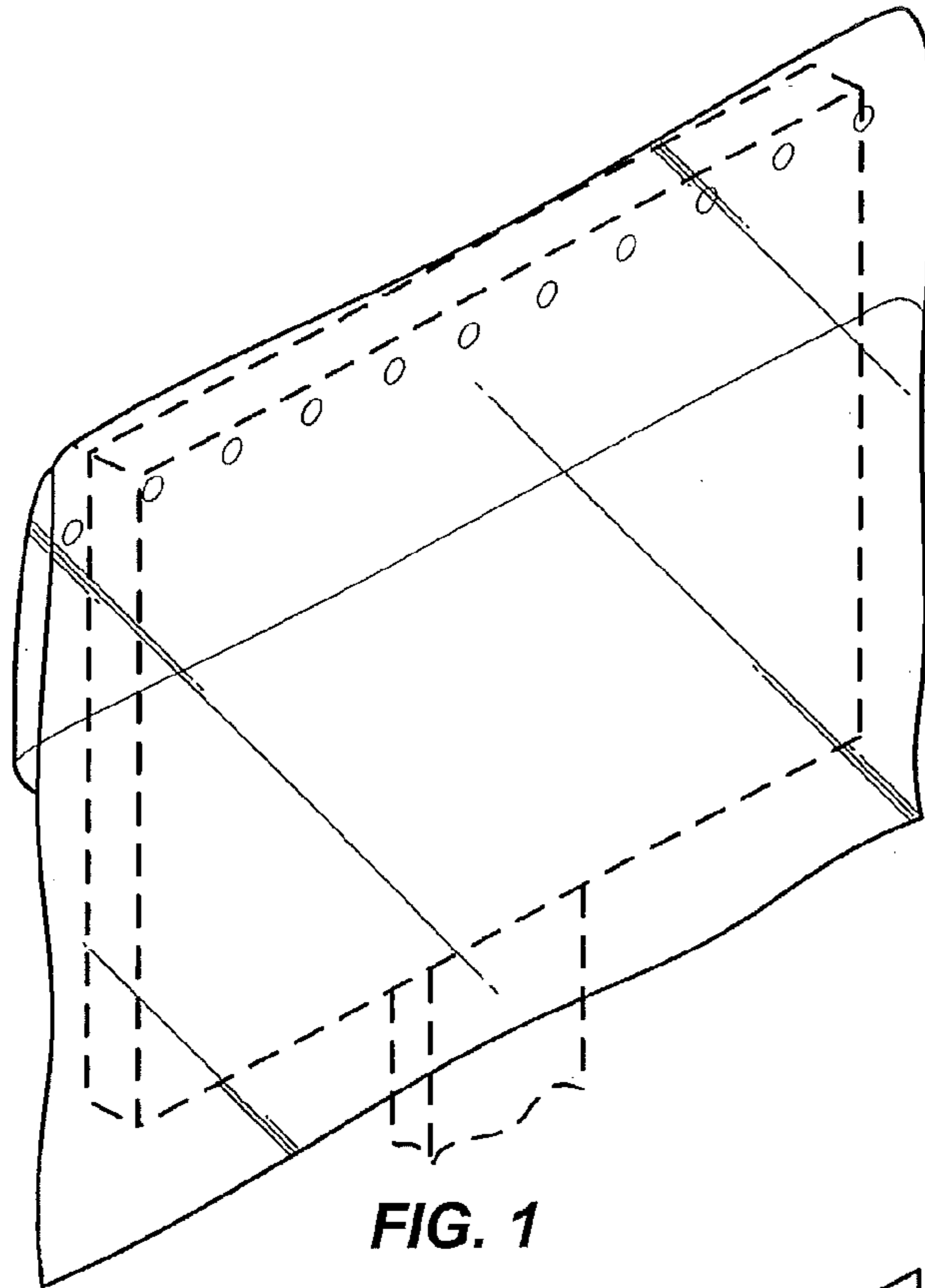
Page 2

---

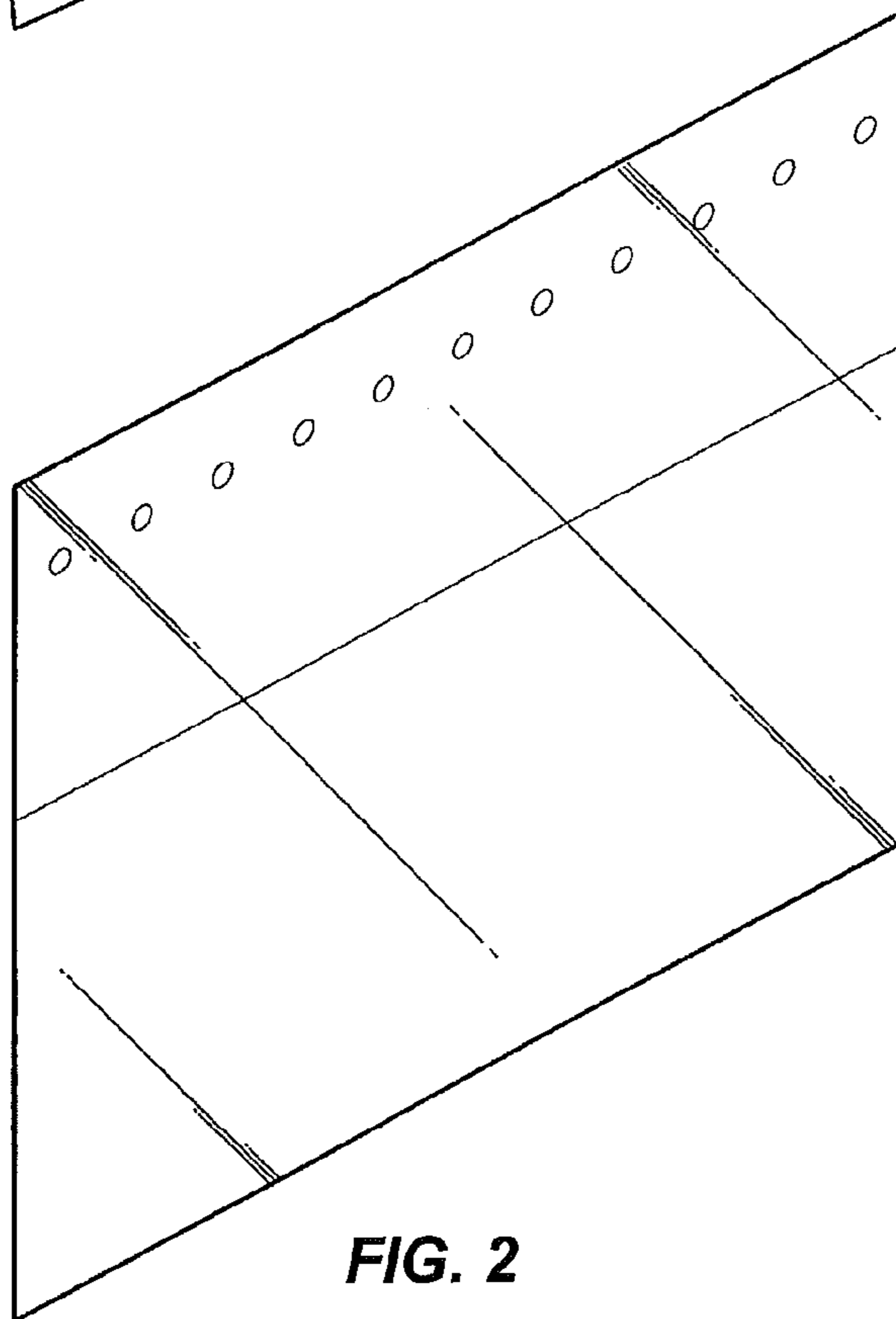
## U.S. PATENT DOCUMENTS

|                |         |                   |         |                   |         |                  |         |
|----------------|---------|-------------------|---------|-------------------|---------|------------------|---------|
| 5,970,980 A    | 10/1999 | Adair             |         | D514,114 S *      | 1/2006  | Cochard .....    | D14/450 |
| 5,971,548 A *  | 10/1999 | Hung .....        | 359/609 | 7,074,180 B2      | 7/2006  | Bertolero et al. |         |
| 6,612,310 B2   | 9/2003  | Sklar             |         | D532,413 S *      | 11/2006 | Goldstein .....  | D14/239 |
| 6,762,929 B2 * | 7/2004  | Sawyer .....      | 361/681 | 2006/0201521 A1 * | 9/2006  | Masini .....     | 128/849 |
| D504,899 S *   | 5/2005  | Ellis et al. .... | D14/450 | 2007/0030633 A1 * | 2/2007  | Tseng .....      | 361/681 |
| 6,967,635 B2 * | 11/2005 | Hung .....        | 345/32  |                   |         |                  |         |

\* cited by examiner

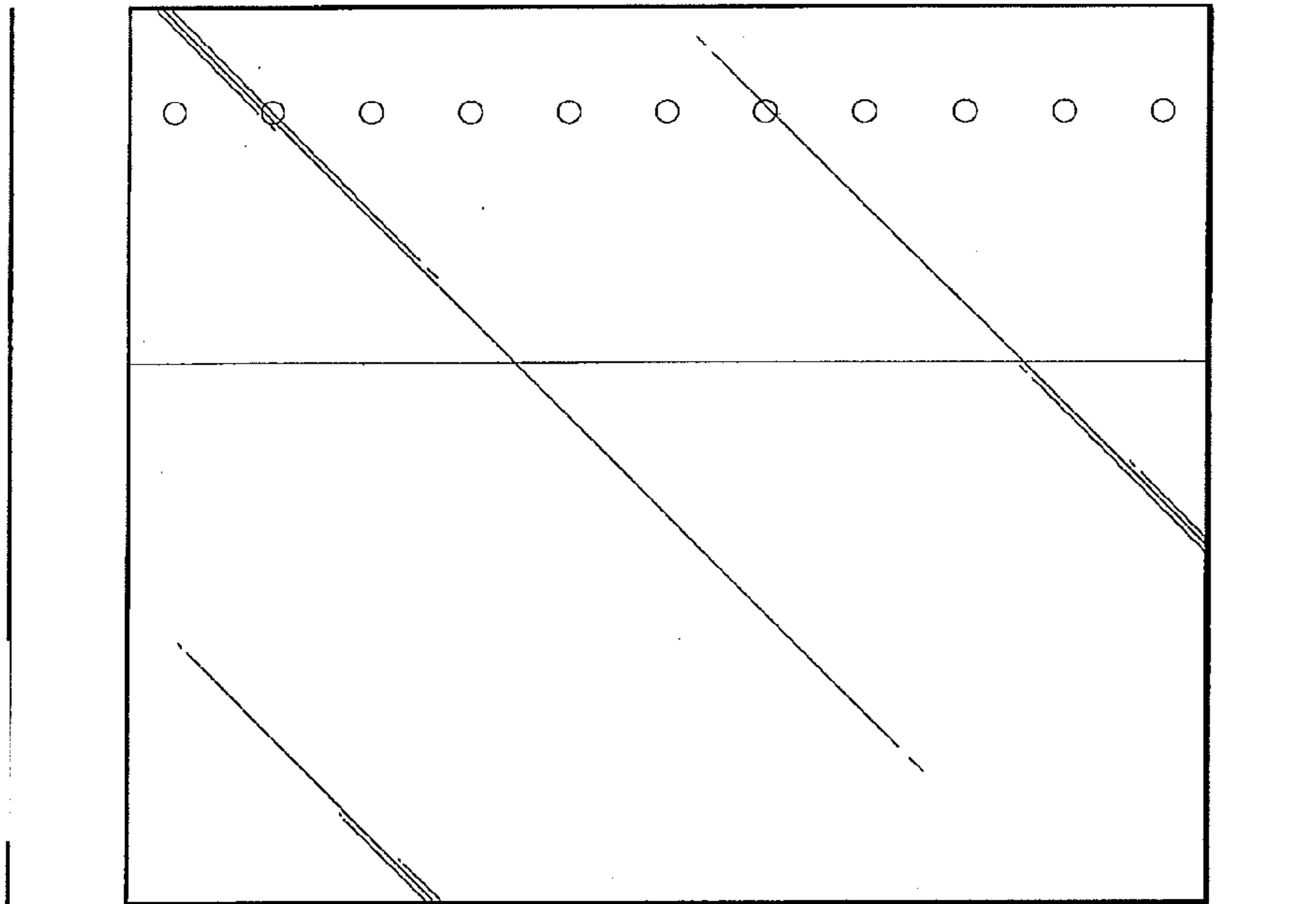


**FIG. 1**



**FIG. 2**

**FIG. 3**

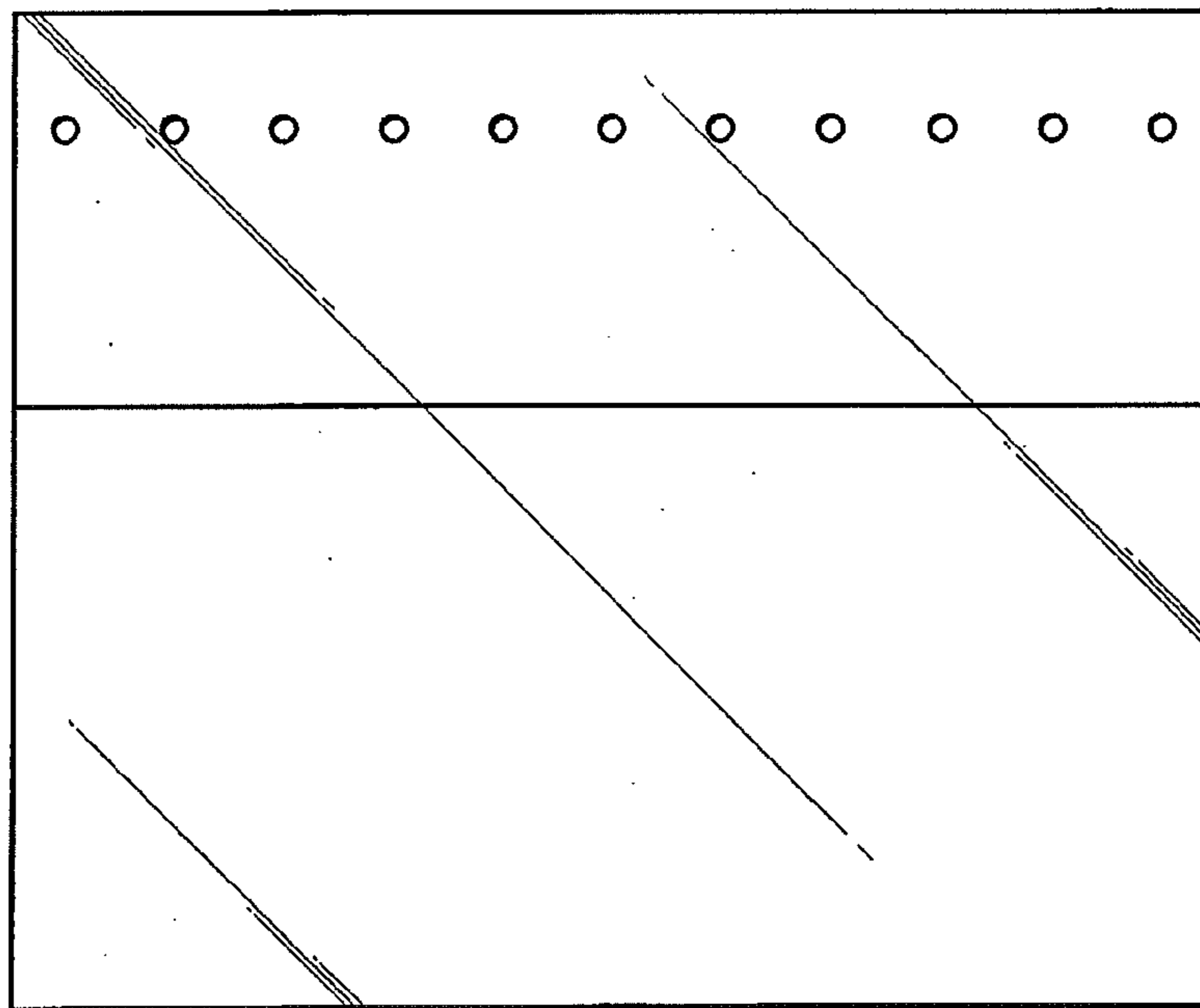


**FIG. 5**

**FIG. 4**

**FIG. 6**

**FIG. 7**



**FIG. 8**