



US00D567241S

(12) **United States Design Patent**  
**Ashida et al.**

(10) **Patent No.:** **US D567,241 S**  
(45) **Date of Patent:** **\*\* Apr. 22, 2008**

(54) **PORTION OF A CONTROLLER FOR ELECTRONIC GAME MACHINE**  
(75) Inventors: **Kenichiro Ashida**, Kyoto (JP); **Masato Ibuki**, Kyoto (JP); **Shinji Yamamoto**, Kyoto (JP); **Fumiyoshi Suetake**, Kyoto (JP); **Daisuke Kumazaki**, Kyoto (JP); **Akiko Suga**, Kyoto (JP)

(73) Assignee: **Nintendo Co., Ltd.**, Kyoto (JP)

(\*\*) Term: **14 Years**

(21) Appl. No.: **29/268,187**

(22) Filed: **Nov. 1, 2006**

(30) **Foreign Application Priority Data**

May 2, 2006 (JP) ..... 2006-011535  
May 2, 2006 (JP) ..... 2006-011536

(51) **LOC (8) Cl.** ..... **14-02**

(52) **U.S. Cl.** ..... **D14/400; D21/328; D21/333**

(58) **Field of Classification Search** ..... D14/399–401, D14/412, 356, 432, 454, 496; 273/148 B, 273/148 R; 463/1, 29, 43–47; 345/156, 345/161, 168, 169; 74/469, 471 R, 471 XY; D21/324–328, 330–333

See application file for complete search history.

(56) **References Cited**

**U.S. PATENT DOCUMENTS**

4,969,647 A \* 11/1990 Mical et al. .... 463/31  
D320,624 S \* 10/1991 Taylor ..... D21/331  
5,253,068 A \* 10/1993 Crook et al. .... 348/734  
5,476,261 A \* 12/1995 Hultstrand ..... 273/148 B  
5,645,277 A \* 7/1997 Cheng ..... 273/148 B  
6,241,247 B1 \* 6/2001 Sternberg et al. .... 273/148 B

6,494,786 B2 \* 12/2002 Oshita ..... 463/46  
D487,466 S \* 3/2004 Yokota ..... D14/454  
D494,634 S \* 8/2004 Soga ..... D21/333  
7,046,508 B2 \* 5/2006 Lin ..... 361/683  
D543,246 S \* 5/2007 Ashida et al. .... D21/333  
D550,673 S \* 9/2007 Wong ..... D14/413  
D552,185 S \* 10/2007 Hussaini et al. .... D21/333

\* cited by examiner

*Primary Examiner*—Prabhakar Deshmukh

(74) *Attorney, Agent, or Firm*—Nixon & Vanderhye, PC

(57) **CLAIM**

The ornamental design for portion of a controller for electronic game machine, as shown and described.

**DESCRIPTION**

FIG. 1 is a front, top and left perspective view of a controller for electronic game machine showing a trigger button constituting a portion of the controller;

FIG. 2 is a rear, bottom and right perspective view thereof;

FIG. 3 is a front view thereof;

FIG. 4 is a rear view thereof;

FIG. 5 is a right side view thereof, a left side view being a mirror image thereof;

FIG. 6 is a top plan view thereof;

FIG. 7 is a bottom plan view thereof;

FIG. 8 is a sectional view taken at line 8—8 of FIG. 3; and,

FIG. 9 is a reference perspective view showing a state that another controller is attached onto this controller.

The broken lines are for illustrative purpose only and form no part of the claimed design.

**1 Claim, 4 Drawing Sheets**

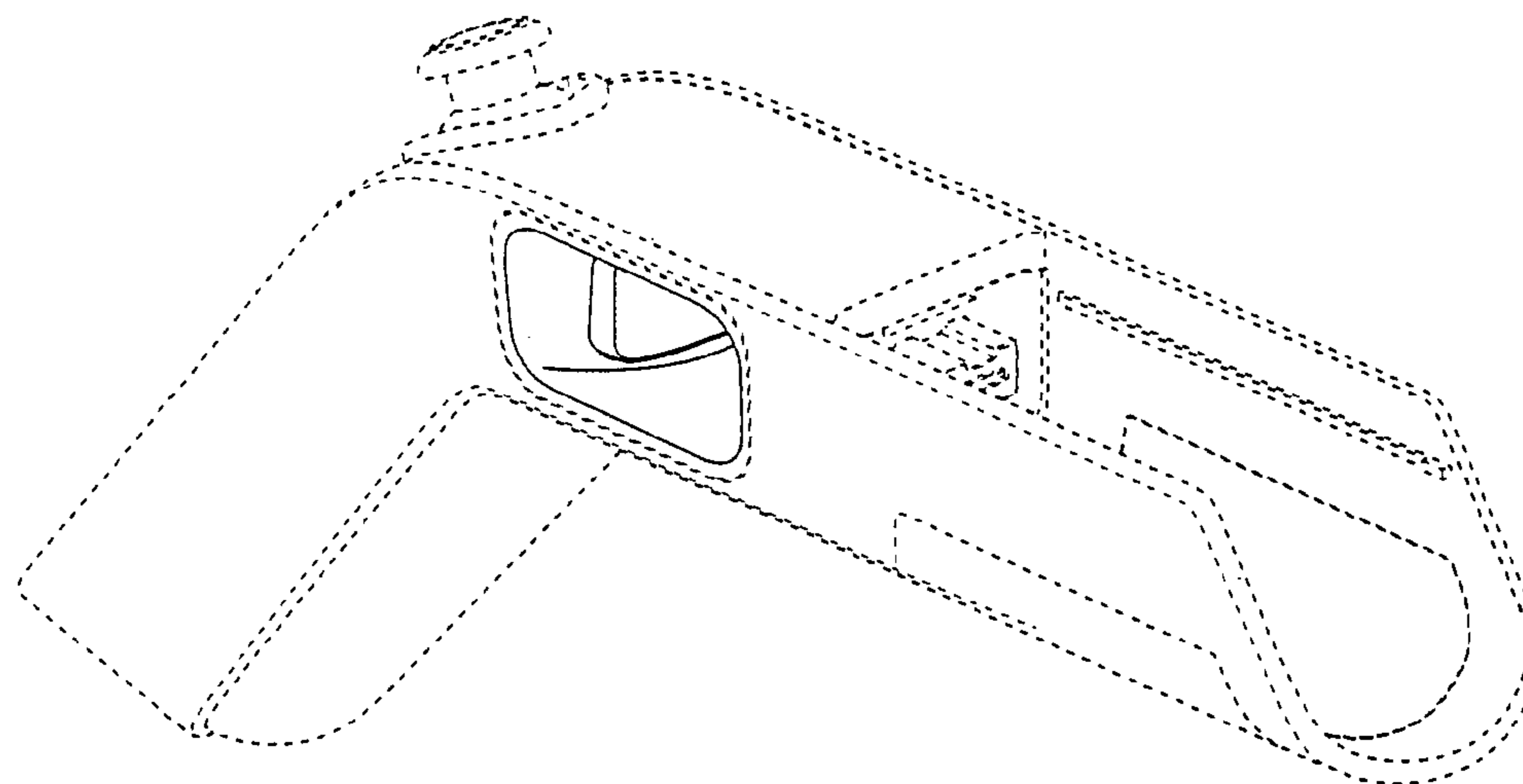


FIG. 1

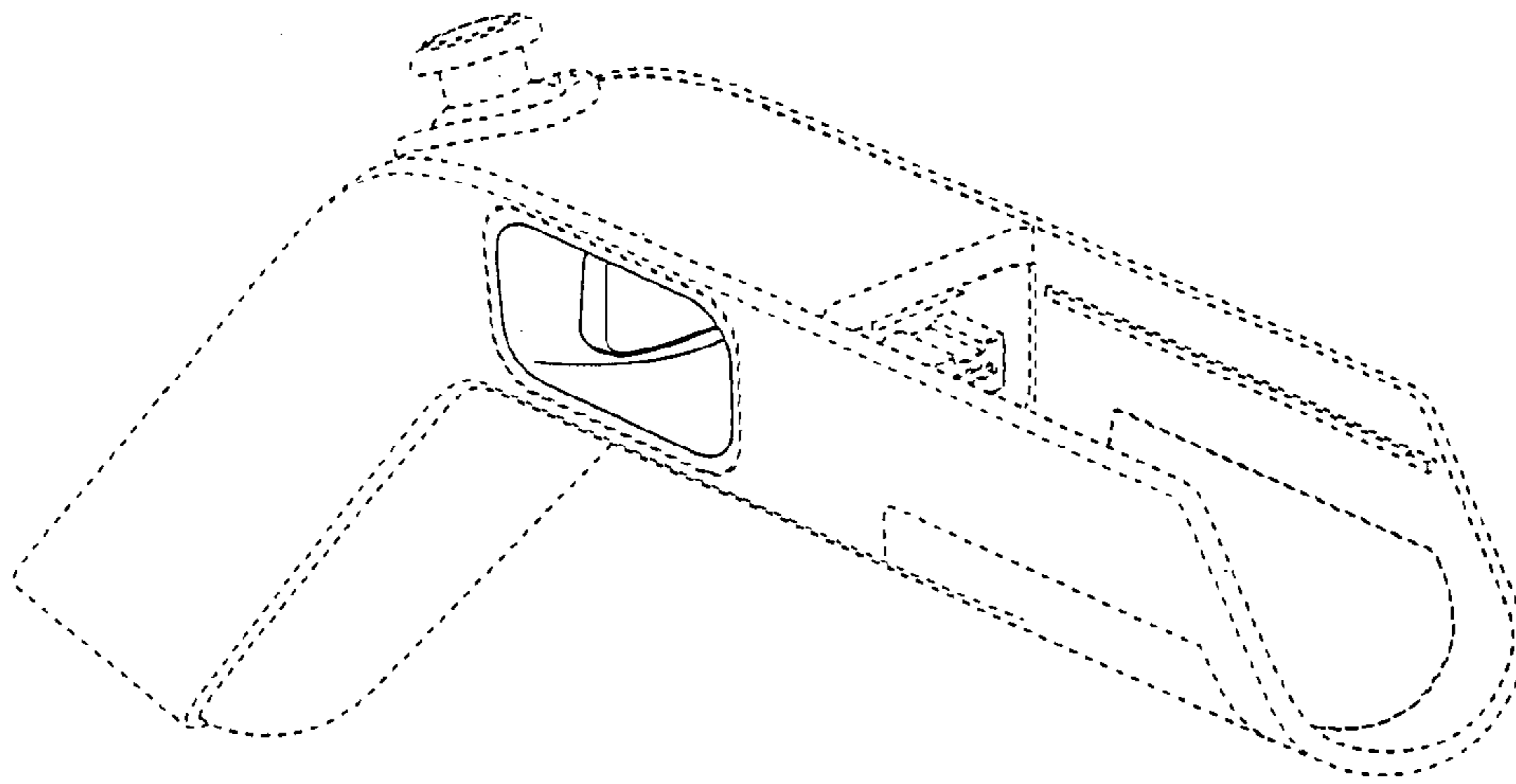


FIG. 2

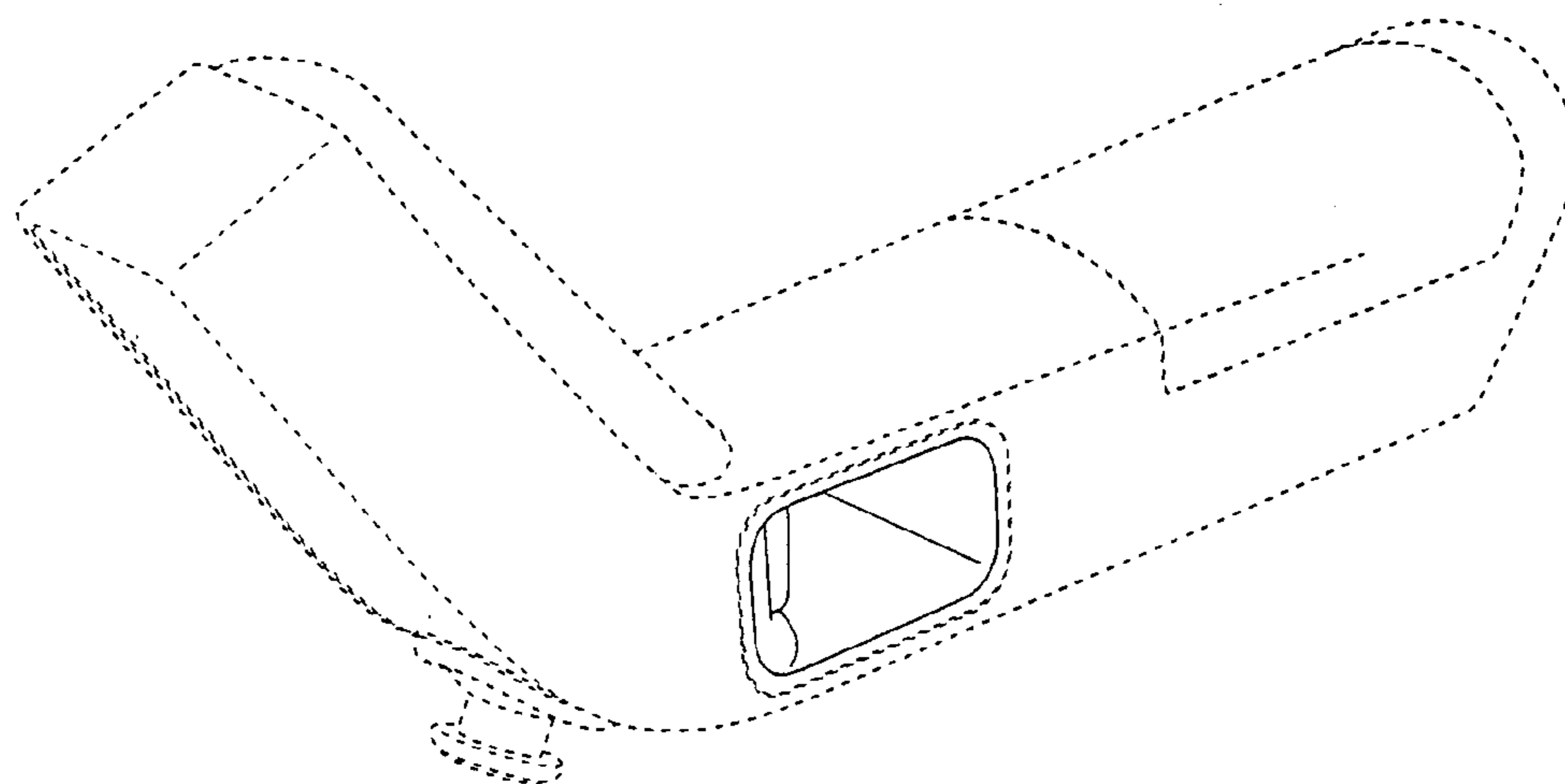


FIG. 3

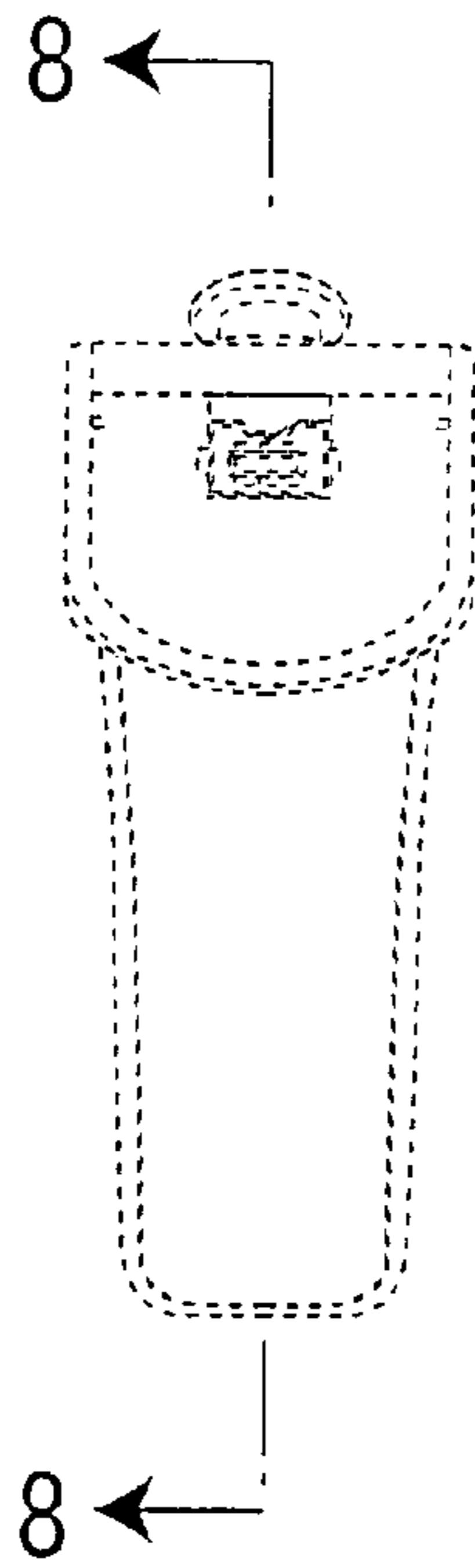


FIG. 4

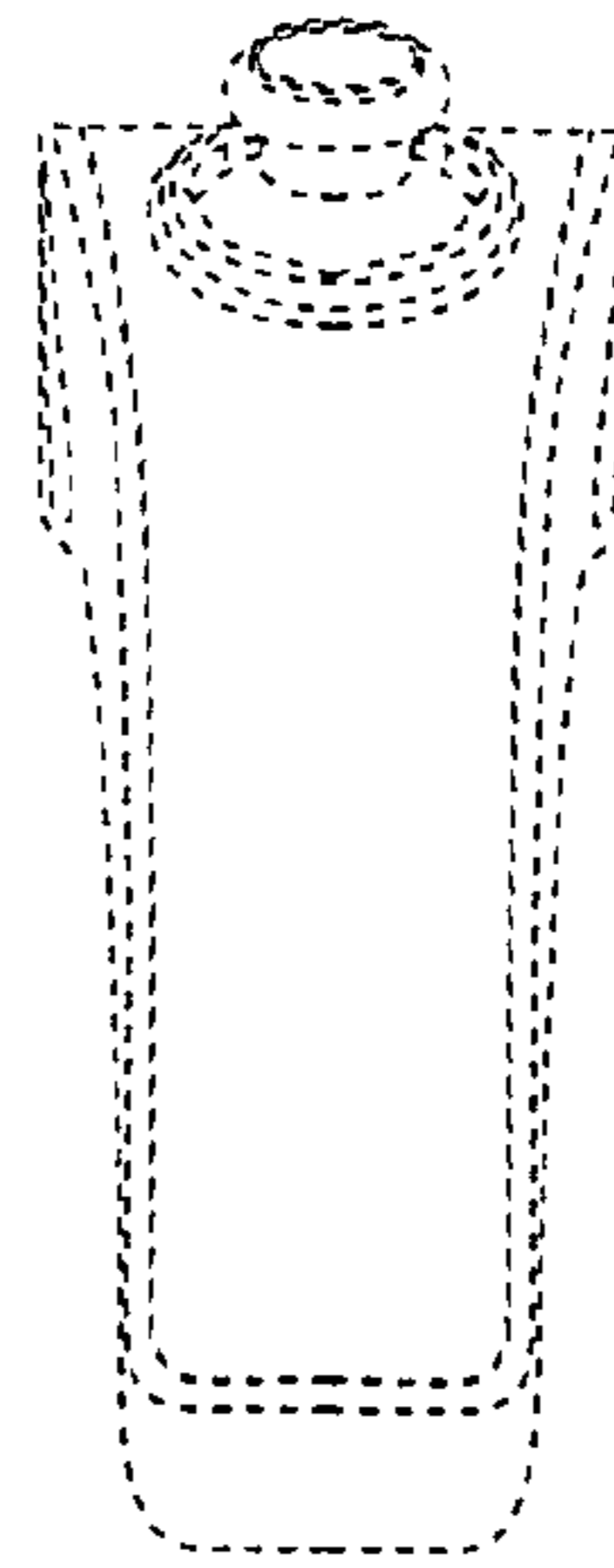


FIG. 5

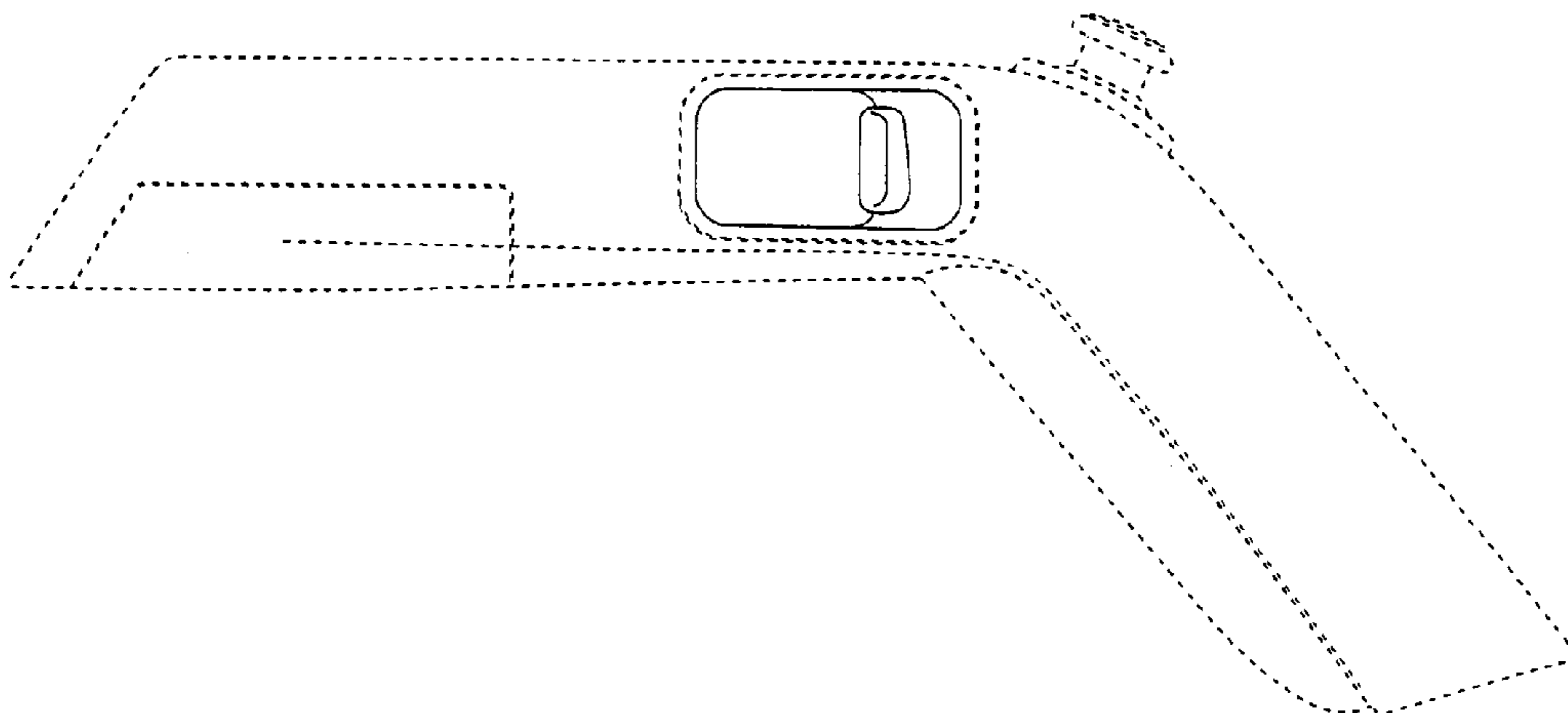


FIG. 6

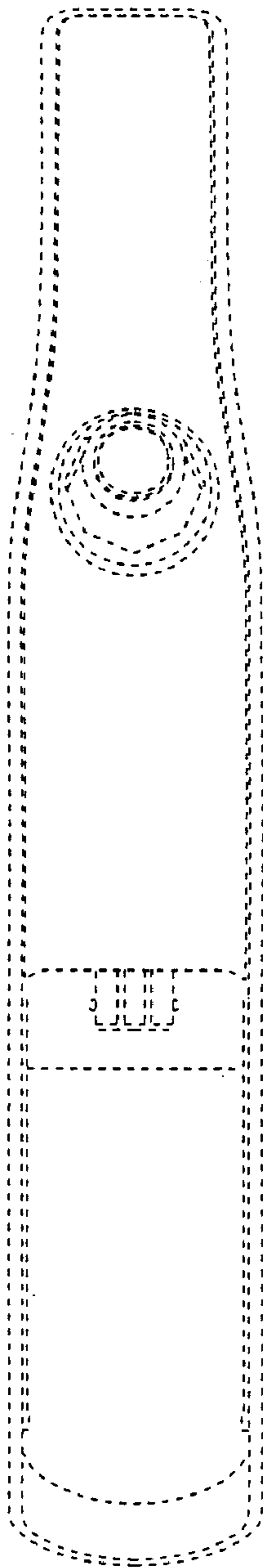


FIG. 7

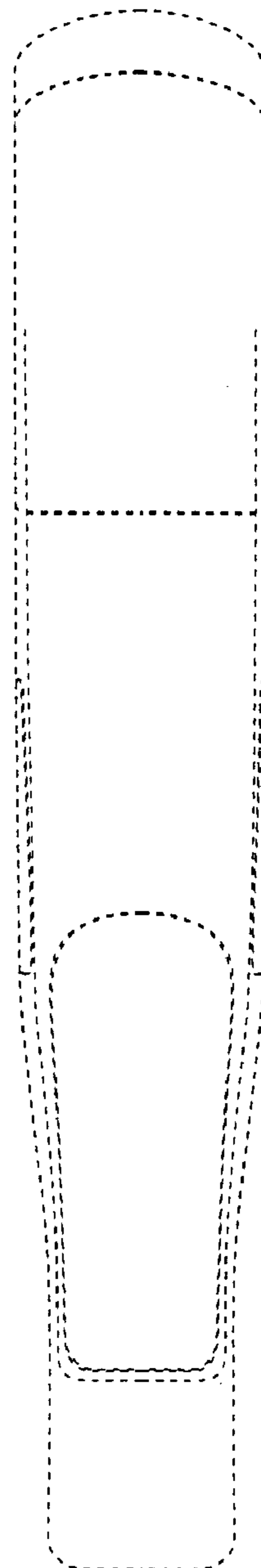


FIG. 8

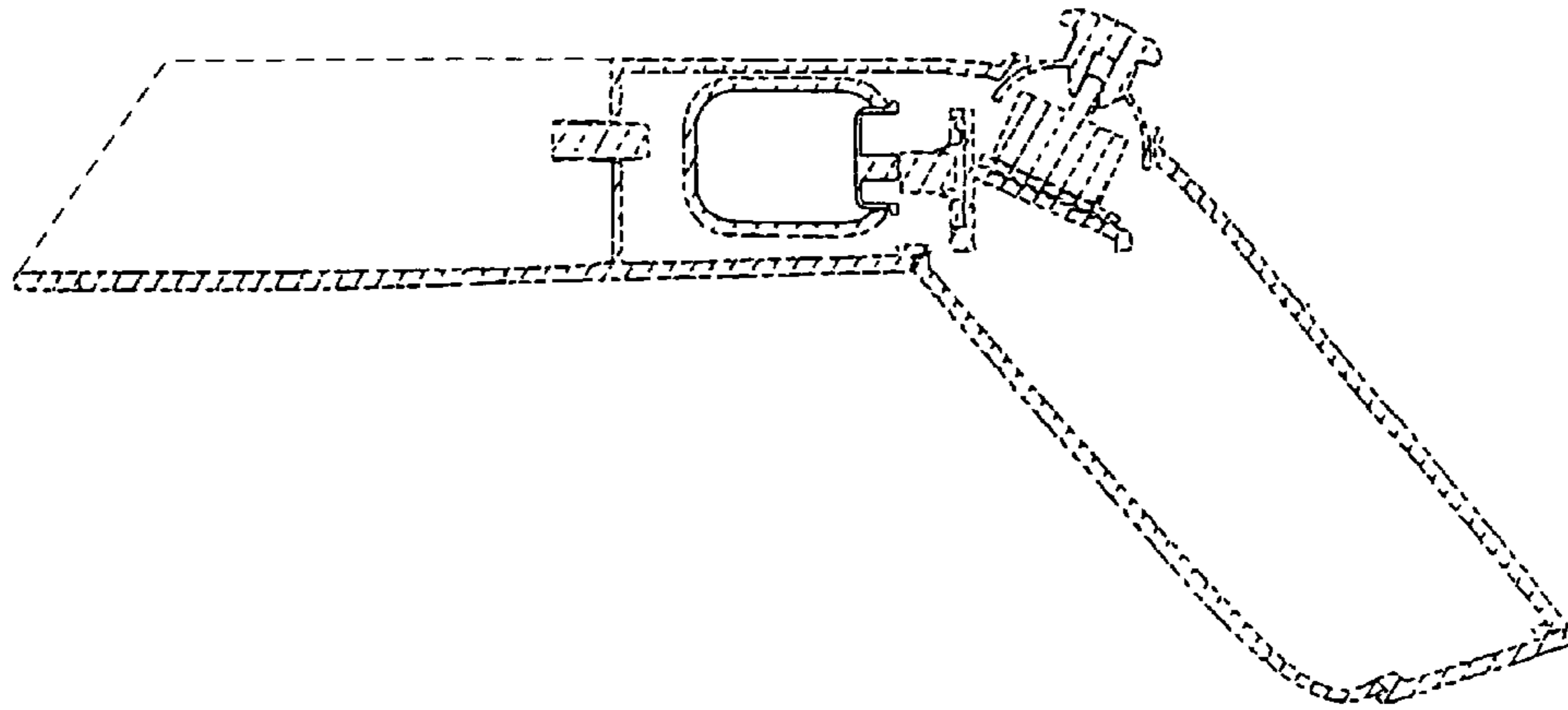


FIG. 9

