



US00D567240S

(12) **United States Design Patent**  
**Griffin**

(10) **Patent No.:** **US D567,240 S**

(45) **Date of Patent:** **\*\* Apr. 22, 2008**

(54) **KEYBOARD WHICH IS CONNECTABLE TO AN ELECTRONIC DEVICE**

(76) Inventor: **Paul Griffin**, 2846 Polo Club Rd., Nashville, TN (US) 37221

(\*\*) Term: **14 Years**

(21) Appl. No.: **29/291,981**

(22) Filed: **Sep. 24, 2007**

**Related U.S. Application Data**

(62) Division of application No. 29/262,721, filed on Jul. 10, 2006, now Pat. No. Des. 557,263.

(51) **LOC (8) Cl.** ..... **14-02**

(52) **U.S. Cl.** ..... **D14/392**

(58) **Field of Classification Search** ..... D14/391-399;  
D18/1, 2, 7, 11; 178/17 A, 17 C; 200/5 A,  
200/5 R, 6 A, 6 R; 235/145 A, 145 R; 345/160,  
345/168, 169, 1.3; 341/22, 23; 400/484-489,  
400/492; 361/680-686

See application file for complete search history.

(56) **References Cited**

**U.S. PATENT DOCUMENTS**

5,410,333	A *	4/1995	Conway	.....	345/169
5,712,760	A *	1/1998	Coulon et al.	.....	361/680
5,995,025	A *	11/1999	Sternglass et al.	.....	341/22
6,215,420	B1 *	4/2001	Harrison et al.	.....	341/22
D470,493	S *	2/2003	Tritschler et al.	.....	D14/393
6,594,142	B2 *	7/2003	Katz	.....	361/680
6,642,909	B1 *	11/2003	Oliva	.....	345/1.3

D486,488	S *	2/2004	Olodort et al.	.....	D14/396
6,714,403	B2 *	3/2004	Furuki et al.	.....	361/680
6,999,008	B2 *	2/2006	Wang et al.	.....	341/22
2002/0163778	A1 *	11/2002	Hazzard et al.	.....	361/683
2003/0048595	A1 *	3/2003	Hsieh et al.	.....	361/680

\* cited by examiner

*Primary Examiner*—Freda S Nunn

(74) *Attorney, Agent, or Firm*—Michael E. McKee

(57) **CLAIM**

The ornamental design for a keyboard which is connectable to an electronic device, as shown and described.

**DESCRIPTION**

FIG. 1 is a perspective view of a keyboard which is connectable to an electronic device showing my new design;

FIG. 2 is a top view thereof;

FIG. 3 is a front view thereof;

FIG. 4 is a rear view thereof;

FIG. 5 is a side elevational view thereof as seen from the right in FIG. 4, the side elevational view thereof as seen from the left in FIG. 4 being a mirror image thereof; and,

FIG. 6 is a perspective view thereof from an angle similar to that in which the FIG. 1 view is shown and illustrating in dotted lines an example of an electronic device to which the FIG. 1 embodiment can be connected; it being understood that the broken lines are shown for illustrative purposes only and form no part of the claimed design.

The bottom view of the keyboard is plain and unornamented.

**1 Claim, 4 Drawing Sheets**

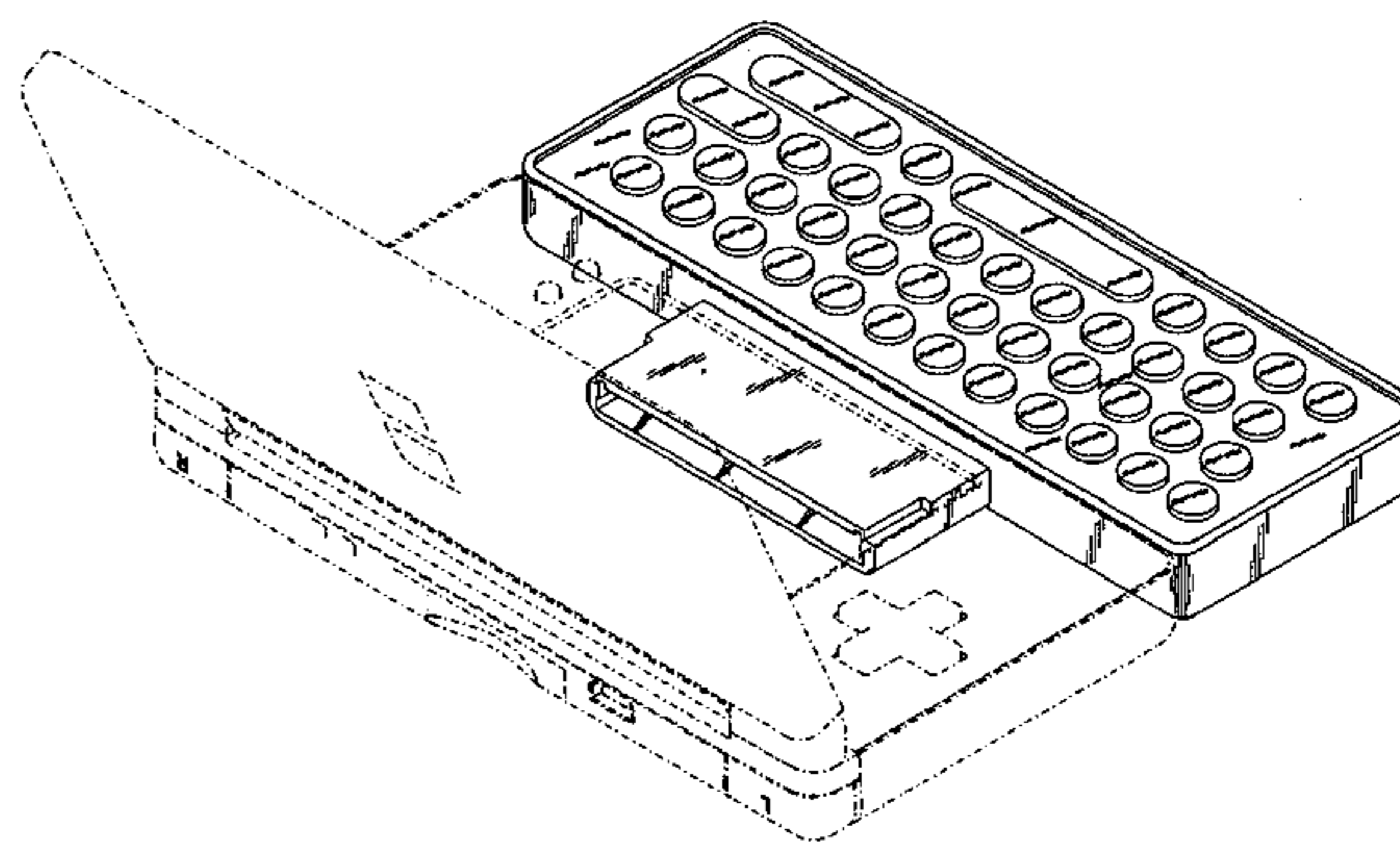
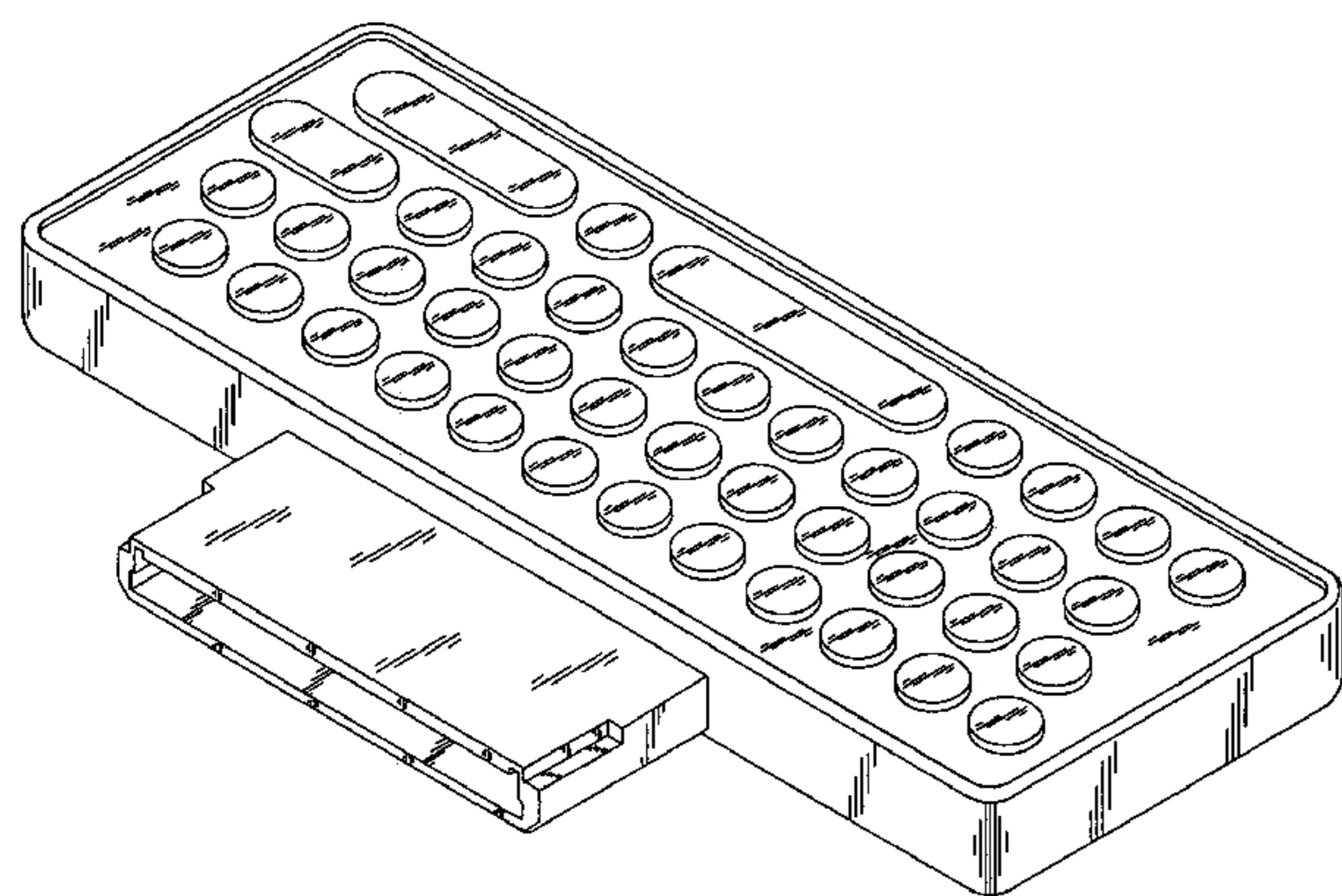


FIG. 1

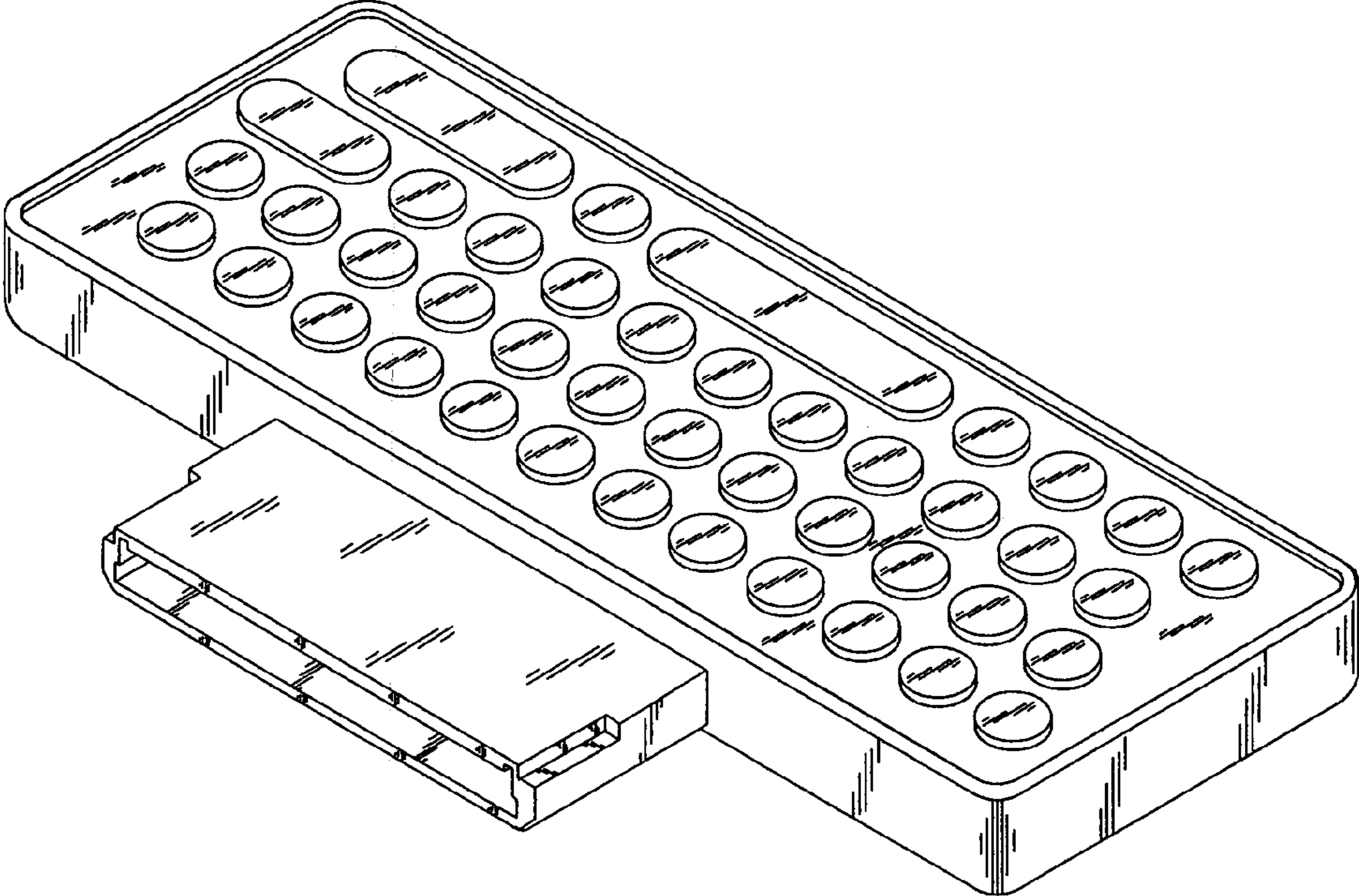


FIG. 2

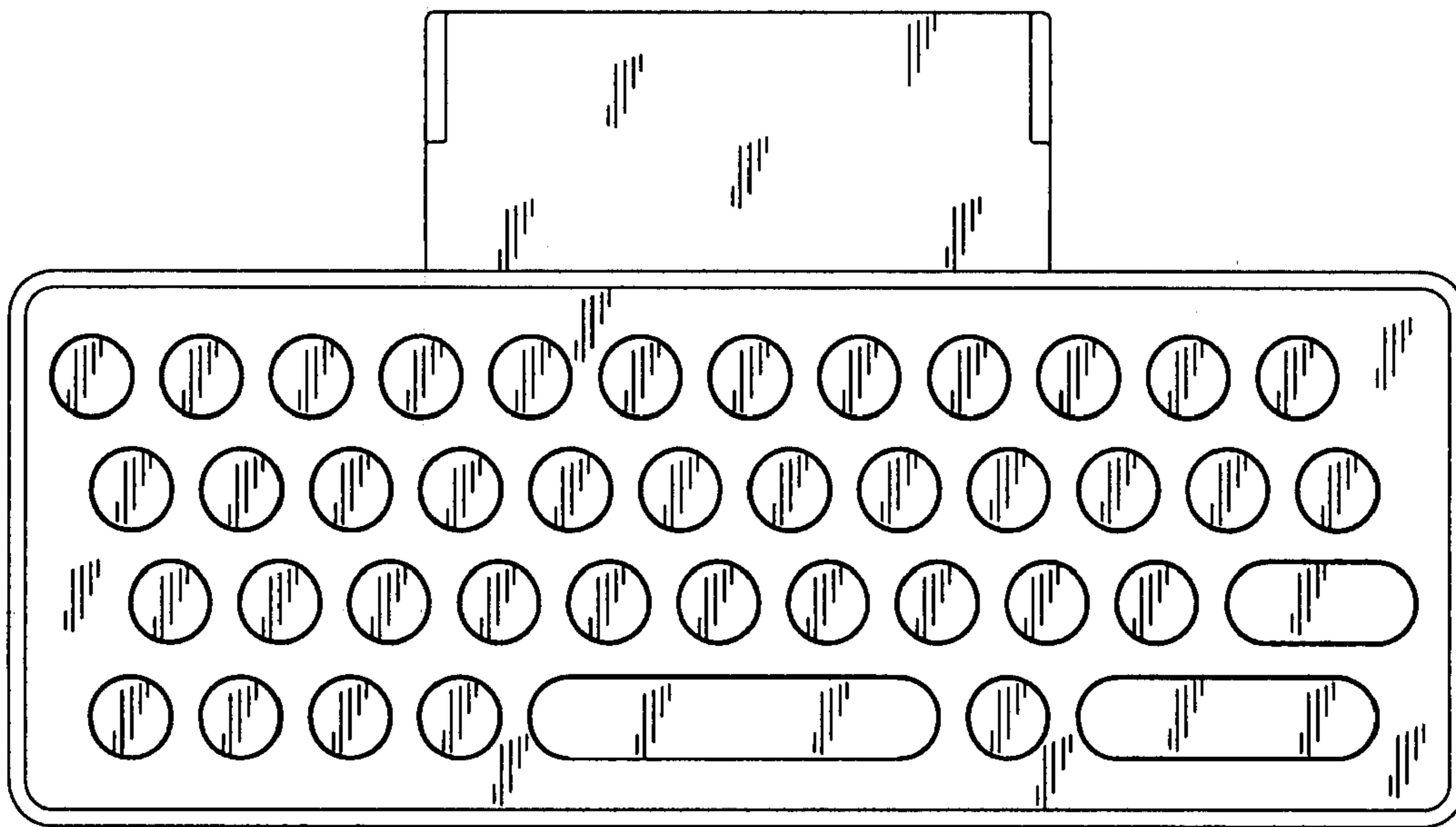


FIG. 3



FIG. 4

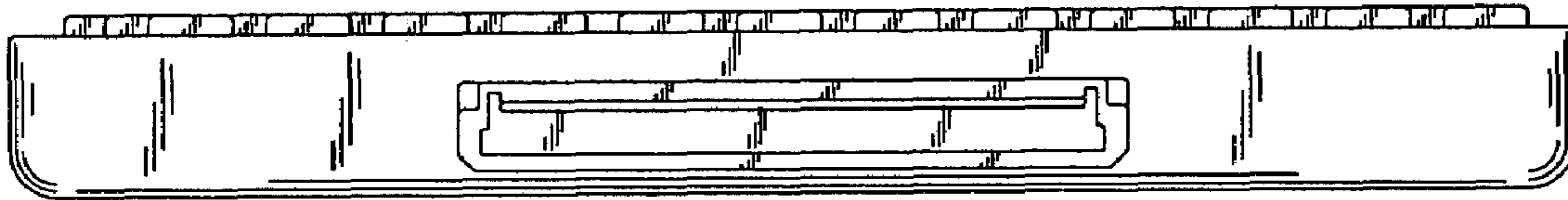


FIG. 5





FIG. 6

