



US00D567237S

(12) **United States Design Patent**
Kim

(10) **Patent No.:** **US D567,237 S**

(45) **Date of Patent:** **** Apr. 22, 2008**

(54) **TABLE COMPUTER EQUIPPED WITH MONITOR**

(75) Inventor: **Eui-Seok Kim**, Seoul (KR)

(73) Assignee: **Samsung Electronics Co., Ltd.**,
Suwon, Kyunggi-Do (KR)

(**) Term: **14 Years**

(21) Appl. No.: **29/258,727**

(22) Filed: **Apr. 26, 2006**

(51) **LOC (8) Cl.** **14-02**

(52) **U.S. Cl.** **D14/336; D14/314; D14/371**

(58) **Field of Classification Search** D14/314,
D14/331, 334-337, 371; D13/162, 162.1,
D13/168, 139.4; D6/422, 425; 108/50.01,
108/50.02, 71; 312/223.1-223.3; 345/156,
345/173

See application file for complete search history.

(56) **References Cited**

U.S. PATENT DOCUMENTS

6,446,564 B1 * 9/2002 Anderson 108/71
6,553,919 B1 * 4/2003 Nevin 108/50.01
6,609,465 B2 * 8/2003 Kolavo 108/50.01
D485,270 S * 1/2004 Peng D14/371

D496,184 S * 9/2004 Sapp D6/422
7,029,079 B2 * 4/2006 Holt 312/223.3
2003/0058214 A1 * 3/2003 Abboud 345/156
2004/0035332 A1 * 2/2004 Lin 108/50.01

* cited by examiner

Primary Examiner—Freda S Nunn

(74) *Attorney, Agent, or Firm*—Flynn, Thiel, Boutell &
Tanis, P.C.

(57) **CLAIM**

The ornamental design for a table computer equipped with
monitor, as shown and described.

DESCRIPTION

FIG. 1 is a top front perspective view of a table computer
equipped with monitor showing our new design;

FIG. 2 is a front elevational view thereof;

FIG. 3 is a rear elevational view thereof;

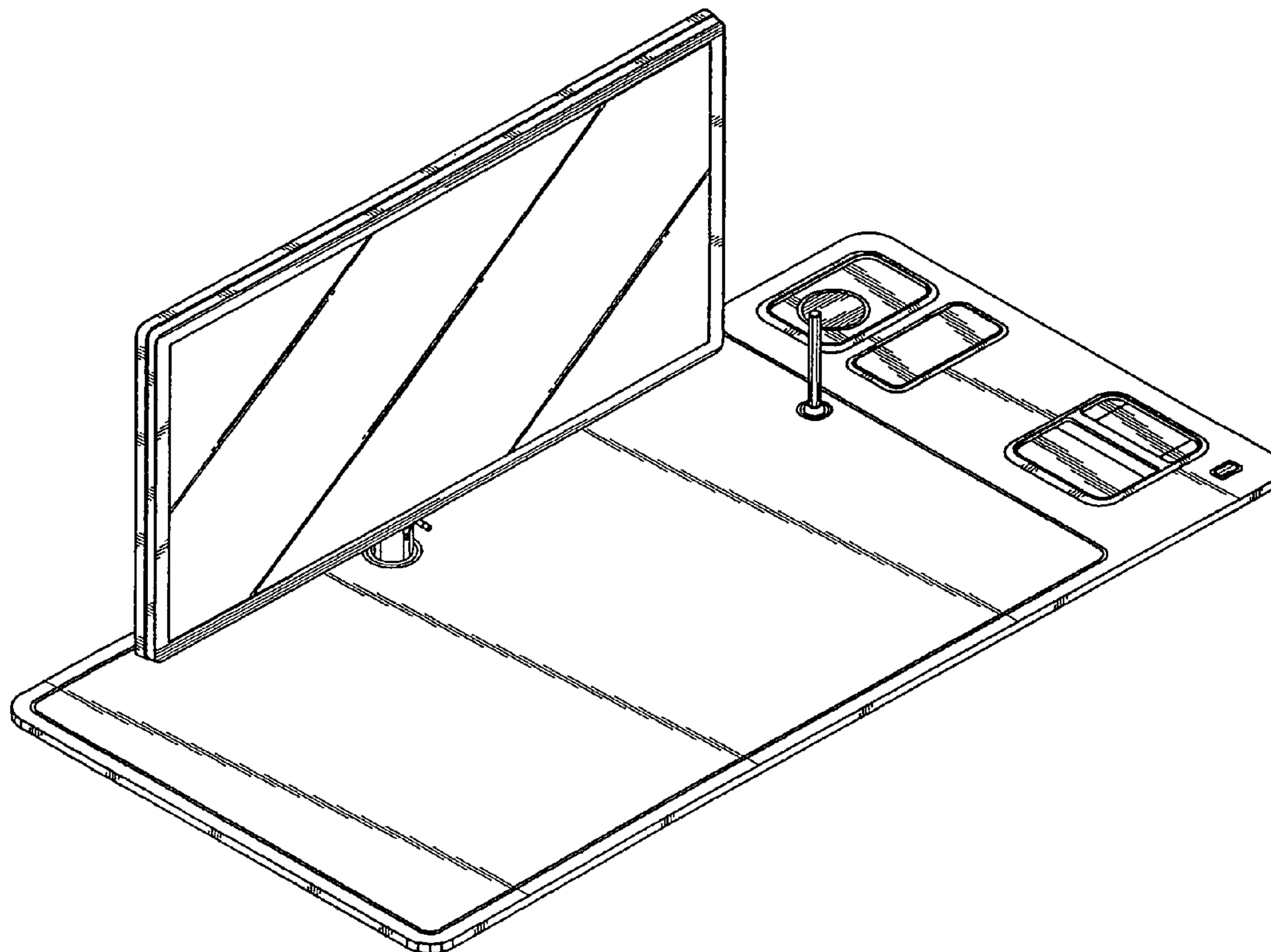
FIG. 4 is a left side elevational view thereof;

FIG. 5 is a right side elevational view thereof;

FIG. 6 is a top plan view thereof; and,

FIG. 7 is a bottom plan view thereof.

1 Claim, 4 Drawing Sheets



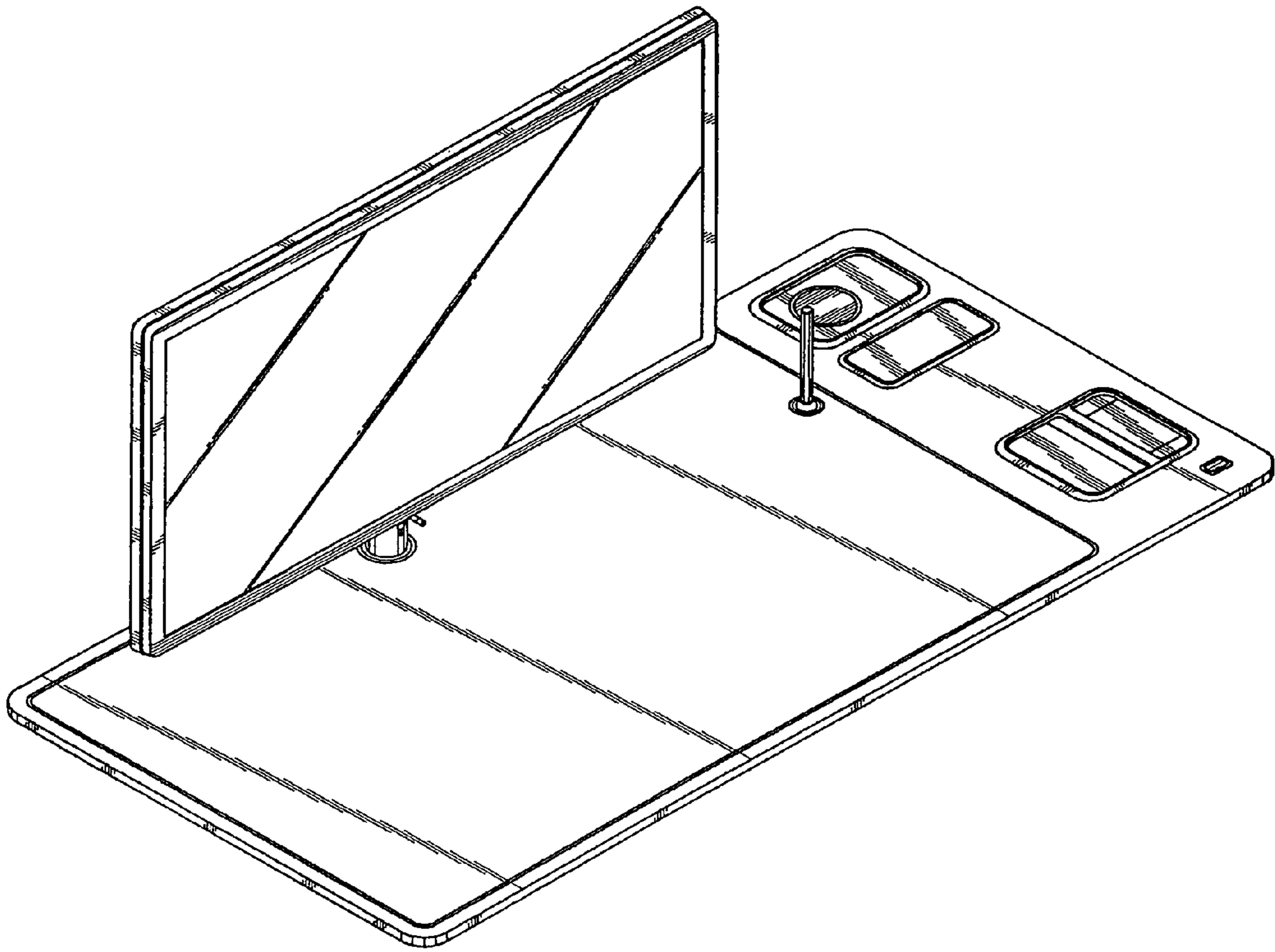


FIG. 1

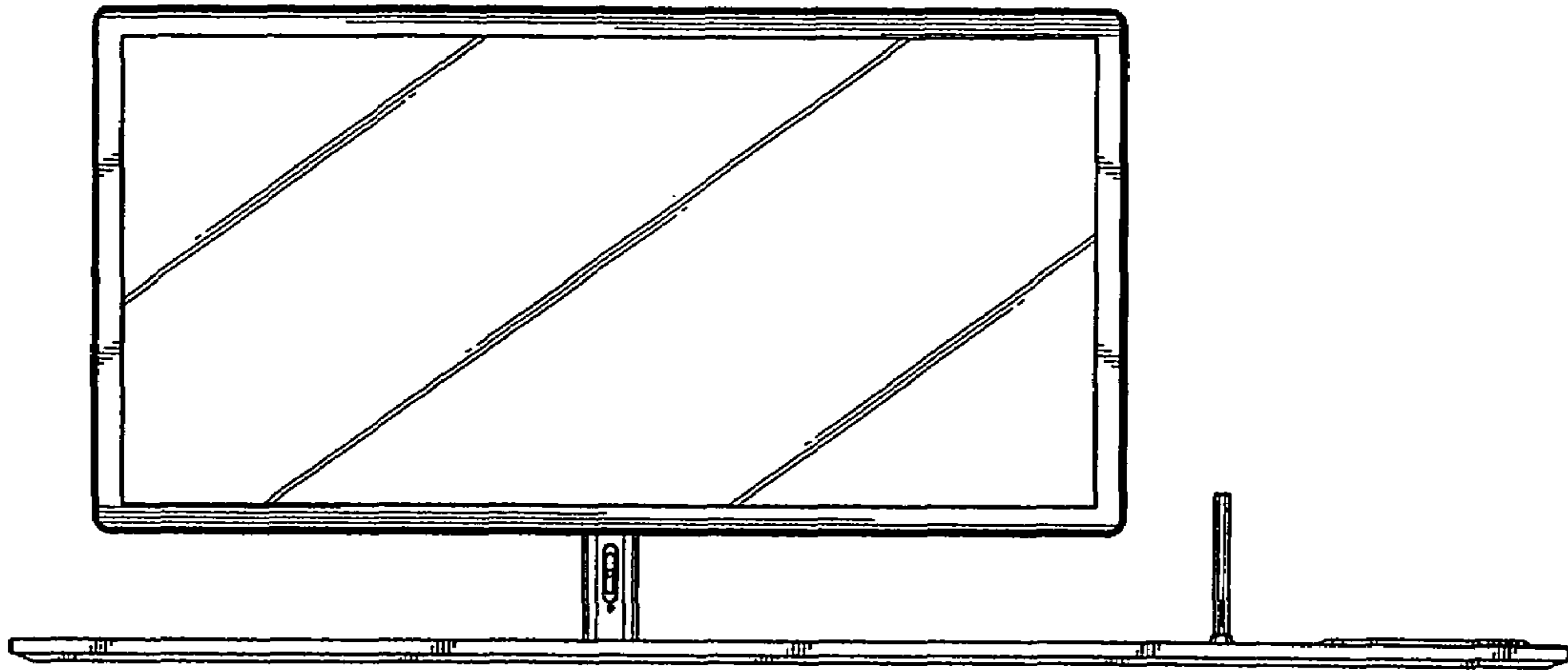


FIG. 2

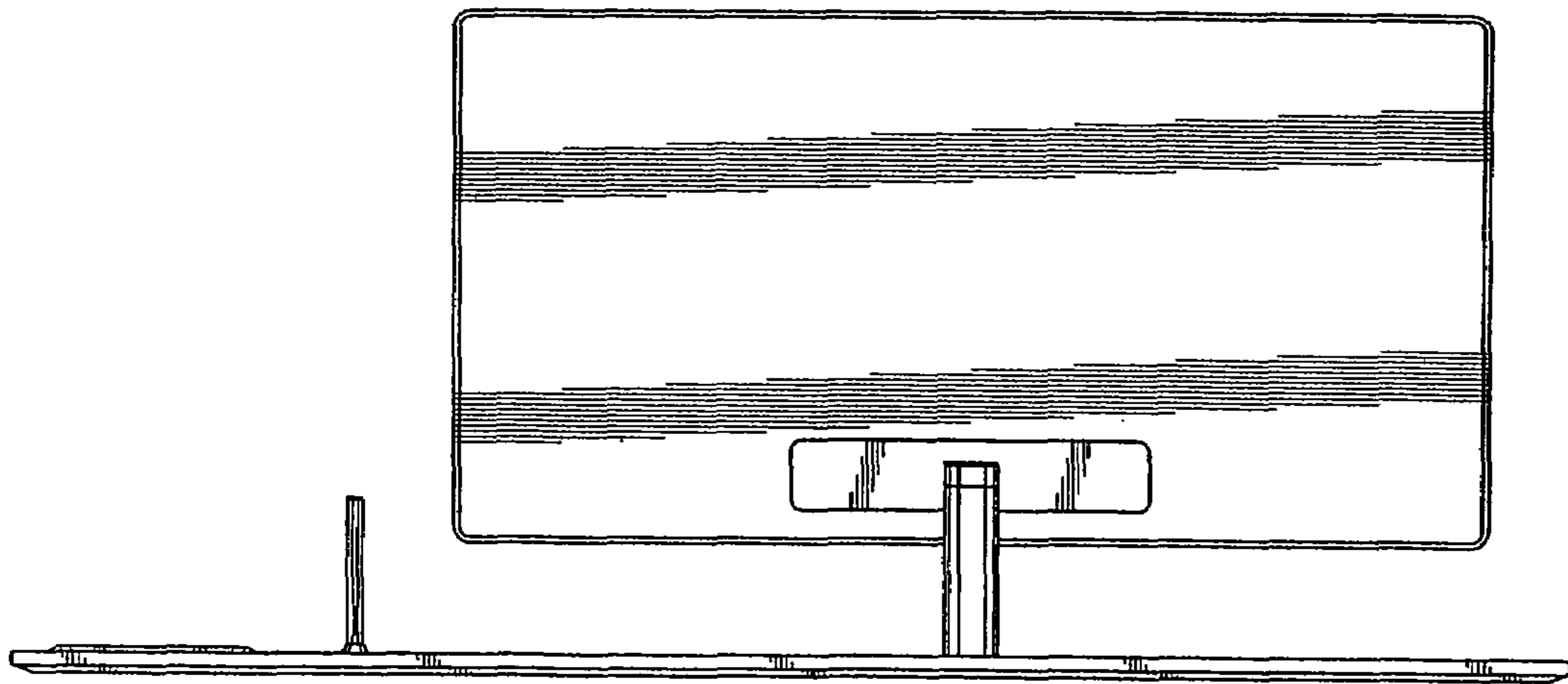


FIG. 3

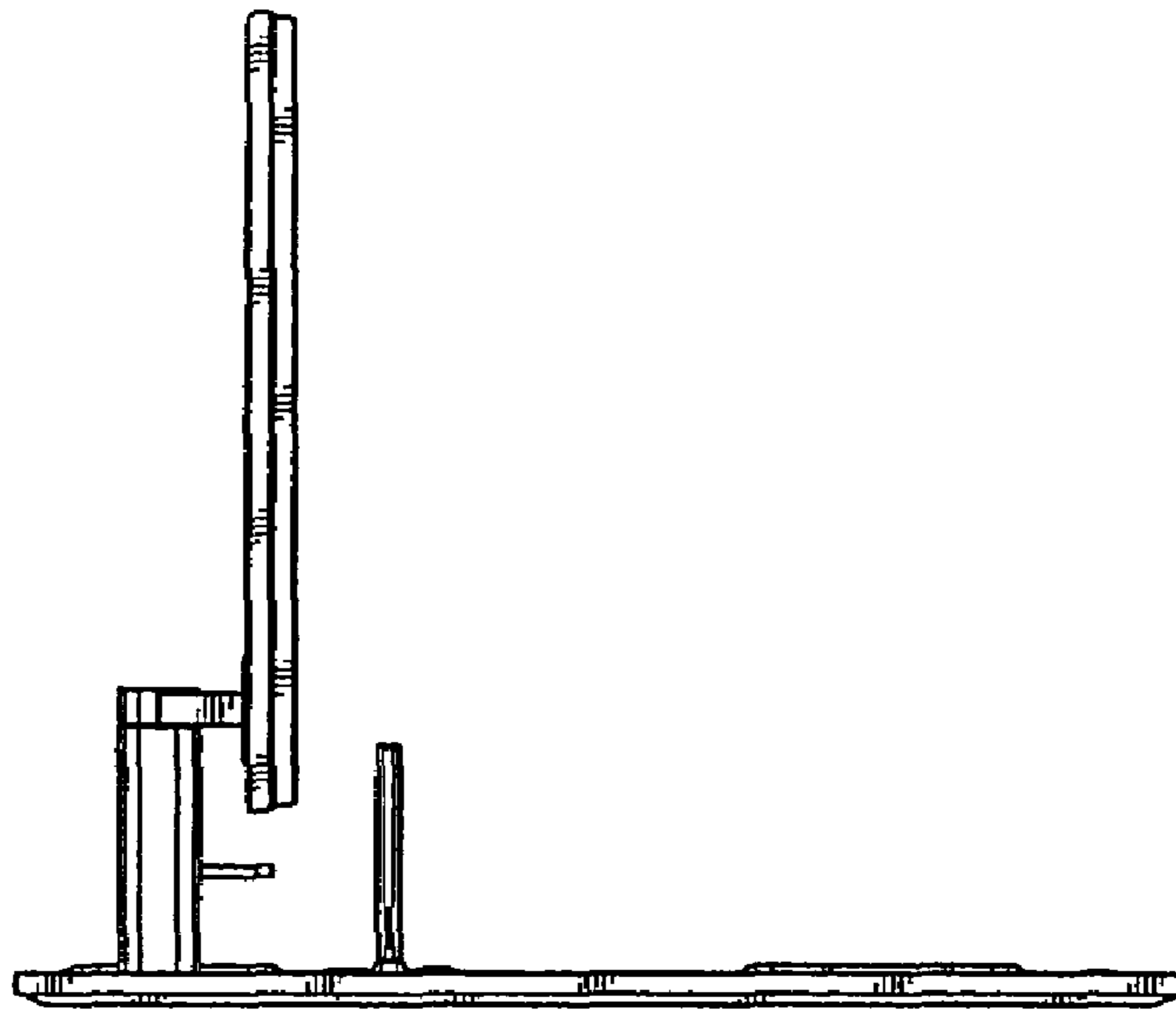


FIG. 4

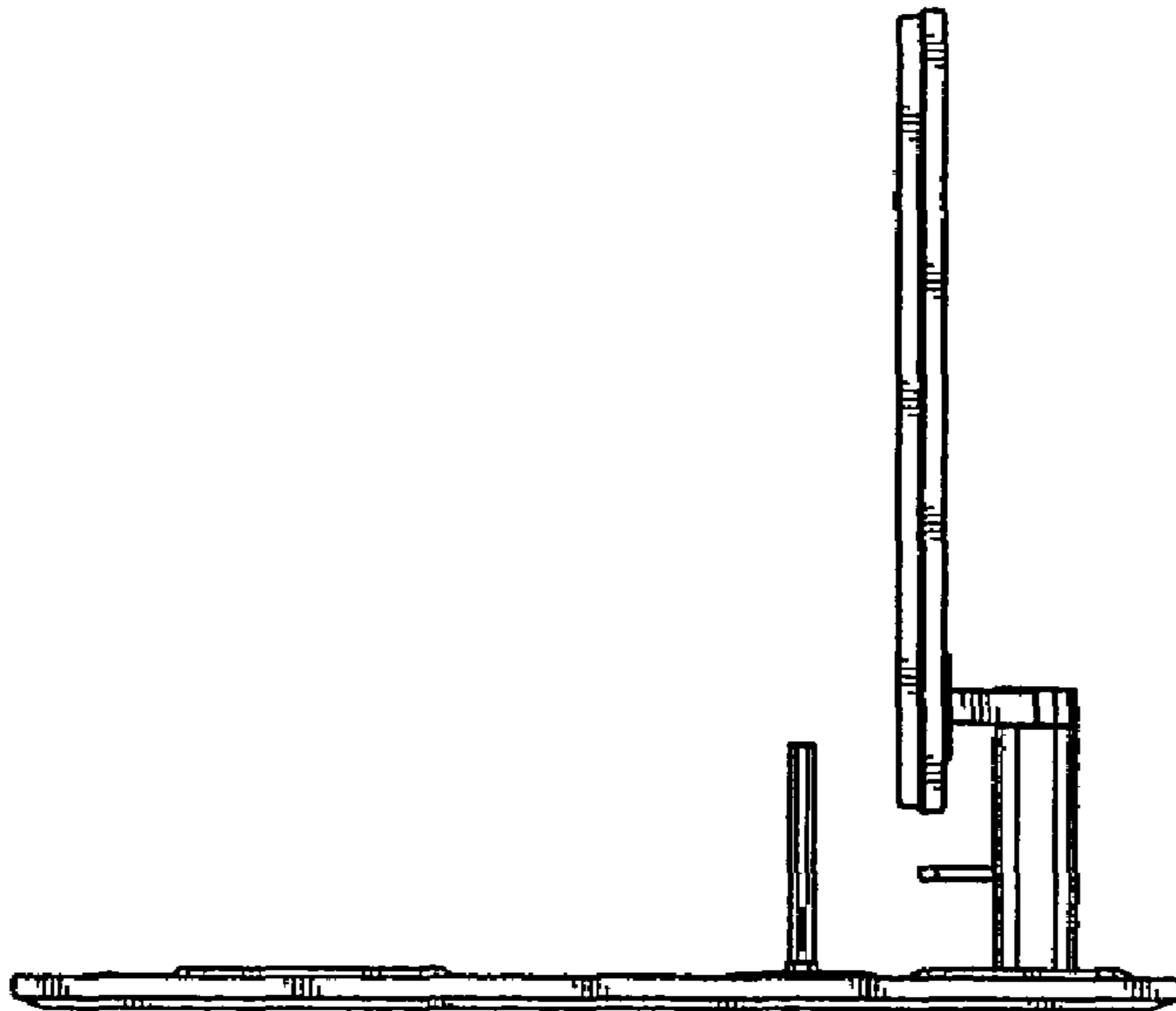


FIG. 5

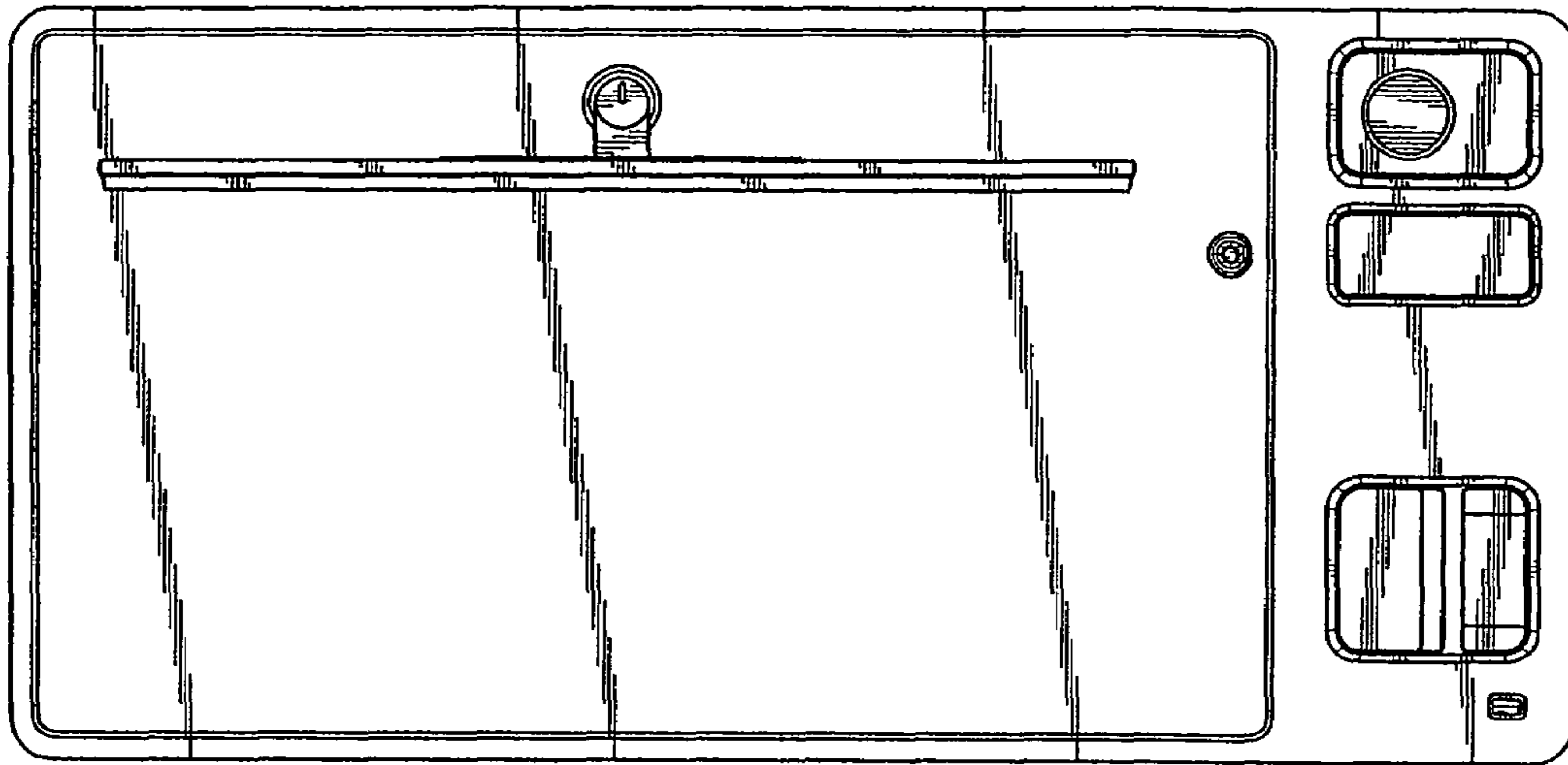


FIG. 6

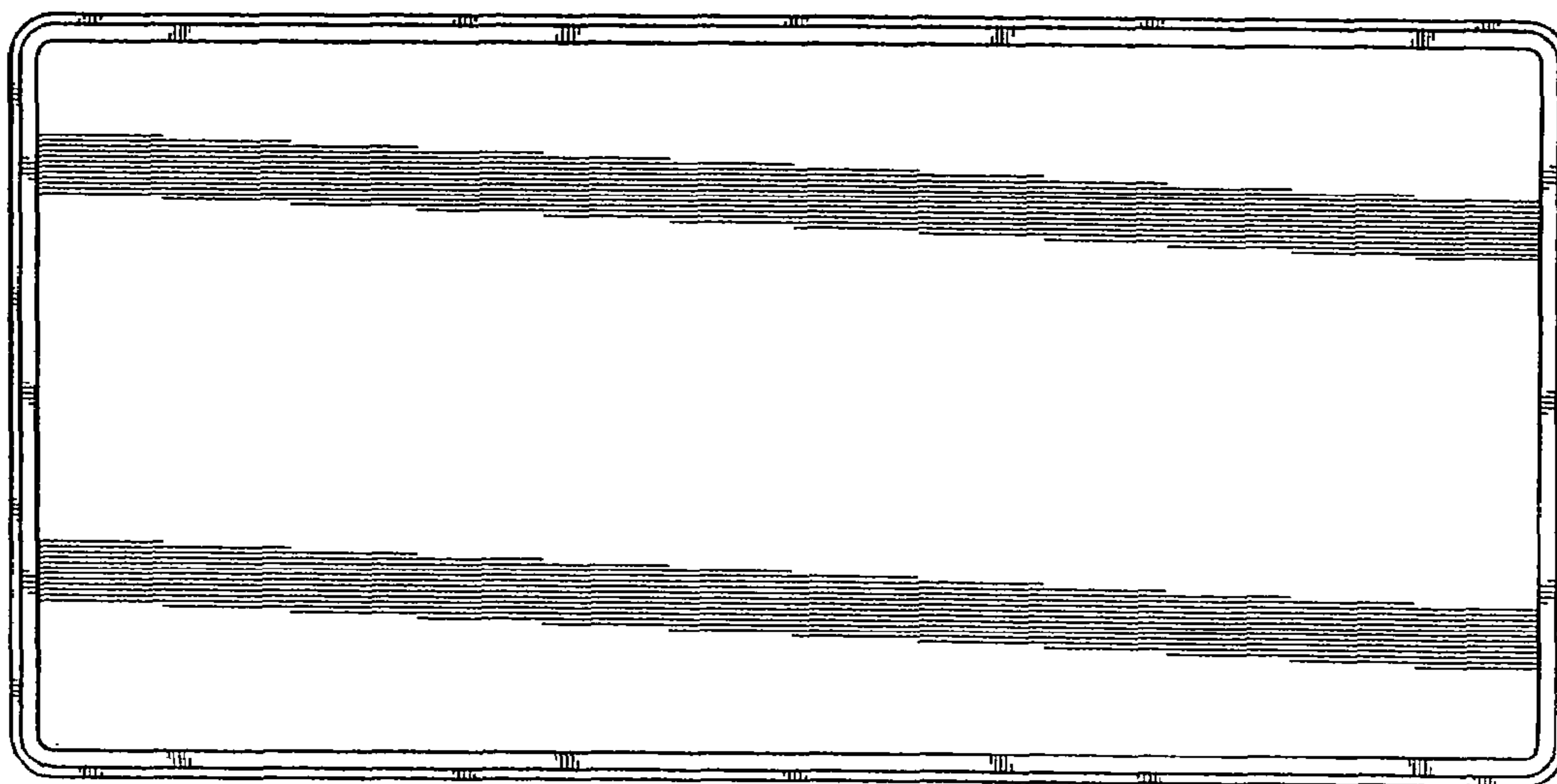


FIG. 7