



US00D567231S

(12) **United States Design Patent**
Nakane et al.

(10) **Patent No.: US D567,231 S**

(45) **Date of Patent: ** Apr. 22, 2008**

(54) **LOUDSPEAKER FRAME**

D531,167 S * 10/2006 Harries D14/215
D550,204 S * 9/2007 Kaneda D14/216

(75) Inventors: **Koji Nakane**, Tokyo (JP); **Hiroki Akaishi**, Tokyo (JP); **Junichi Tanaka**, Tokyo (JP)

FOREIGN PATENT DOCUMENTS

JP S 1201047 4/2004
JP S 1269103 4/2006

(73) Assignee: **Pioneer Kabushiki Kaisha**, Tokyo (JP)

OTHER PUBLICATIONS

(**) Term: **14 Years**

Pioneer sound.vision.soul. Catalog, Car Entertainment 2005, pp. 25, 27, 29.

(21) Appl. No.: **29/274,030**

Pioneer Catalog, 2000 Car Audio Systems, pp. 52.

(22) Filed: **Mar. 22, 2007**

* cited by examiner

(30) **Foreign Application Priority Data**

Primary Examiner—Paula A. Greene

Nov. 16, 2006 (JP) 2006-031479

(74) *Attorney, Agent, or Firm*—Oliff & Berridge, PLC

(51) **LOC (8) Cl.** **14-01**

(57) **CLAIM**

(52) **U.S. Cl.** **D14/224**

The ornamental design for a loudspeaker frame, as shown and described.

(58) **Field of Classification Search** D14/204,
D14/210, 215, 216, 217, 219, 221, 222, 224,
D14/229; 181/141, 147, 148–150, 154; 381/186,
381/346

DESCRIPTION

See application file for complete search history.

FIG. 1 is a top view of a loudspeaker frame showing our new design.

(56) **References Cited**

FIG. 2 is a bottom view thereof;

U.S. PATENT DOCUMENTS

FIG. 3 is a rear view thereof;

D198,377 S * 6/1964 Wassmann D14/216
D270,533 S * 9/1983 Piercy D14/224
4,917,212 A * 4/1990 Iwaya 181/141
D443,262 S * 6/2001 Caren D14/224
D472,545 S * 4/2003 Iijima et al. D14/219
D480,070 S * 9/2003 Hakoda D14/216
D488,801 S * 4/2004 Shindo et al. D14/216

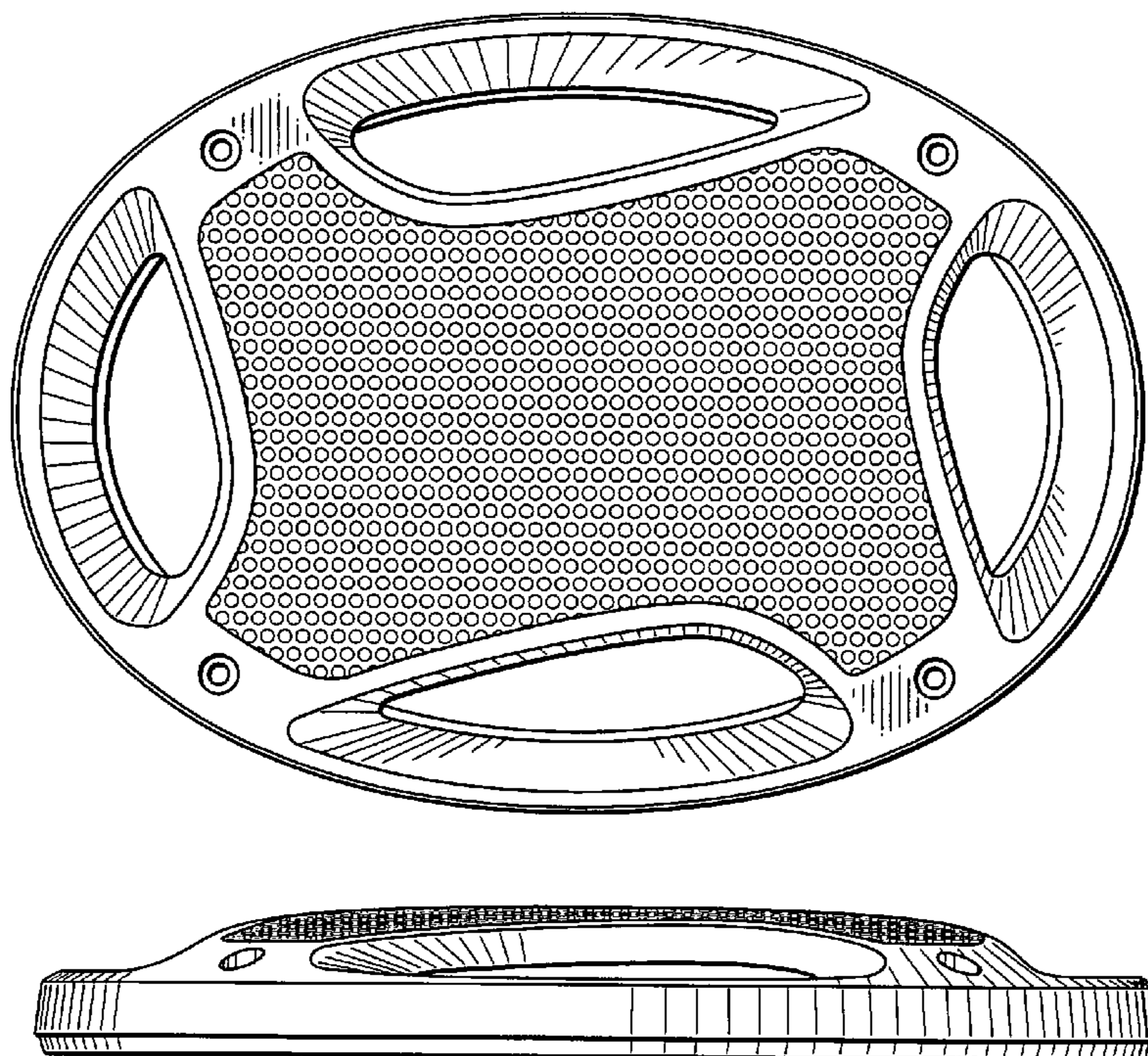
FIG. 4 is a front view thereof;

FIG. 5 is a left side view thereof;

FIG. 6 is a right side view thereof; and,

FIG. 7 is a perspective view thereof.

1 Claim, 4 Drawing Sheets



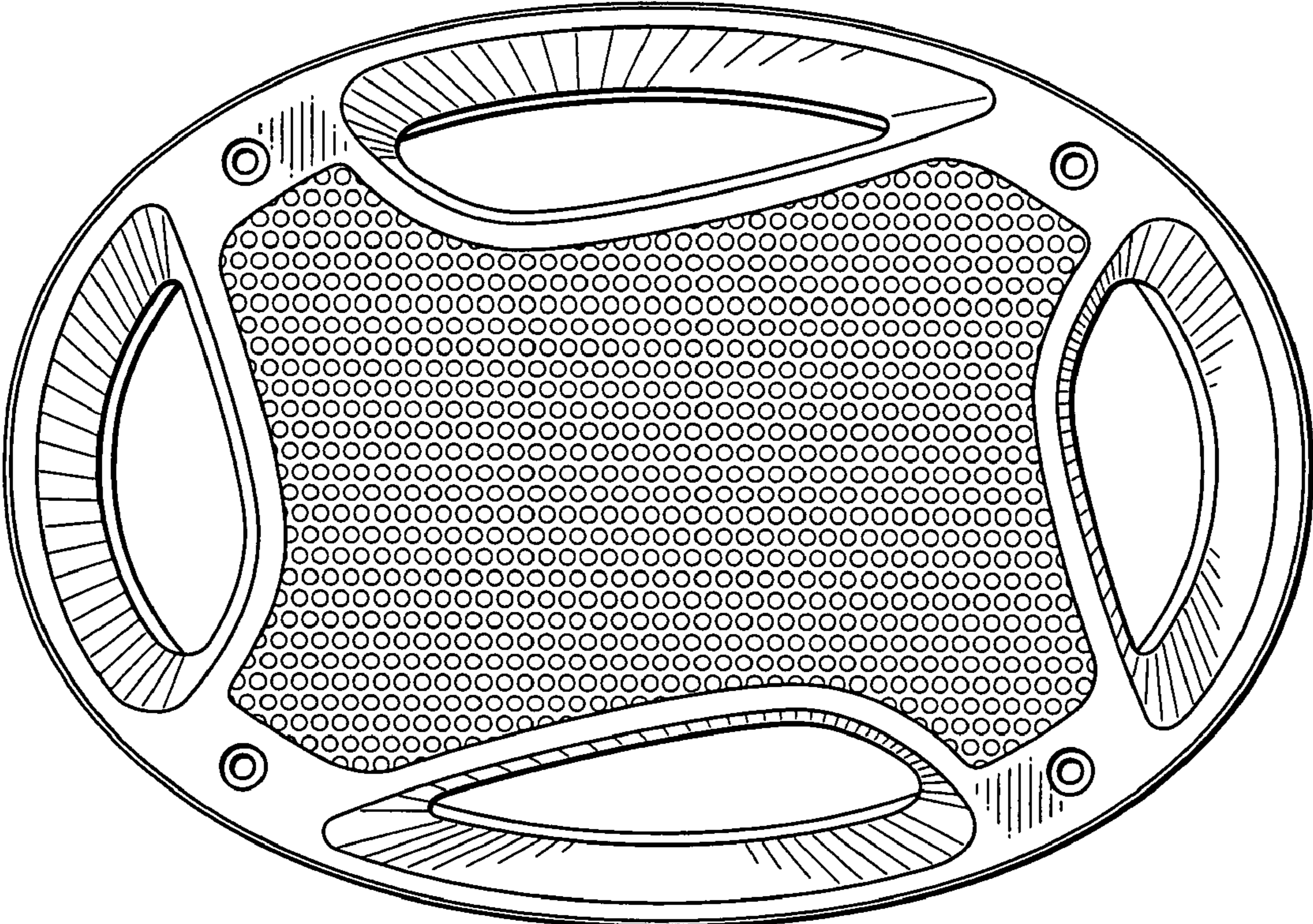


FIG. 1

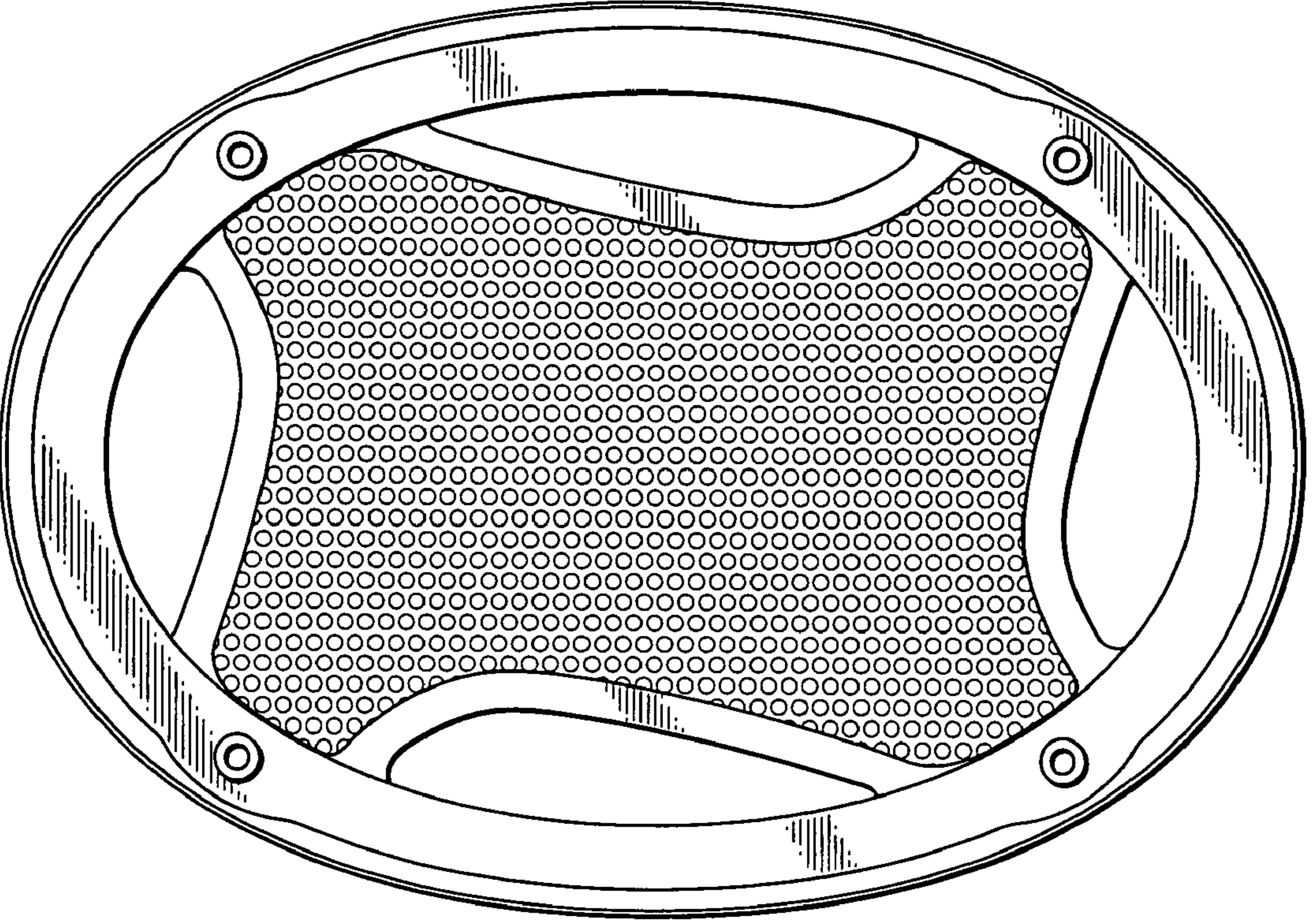


FIG. 2

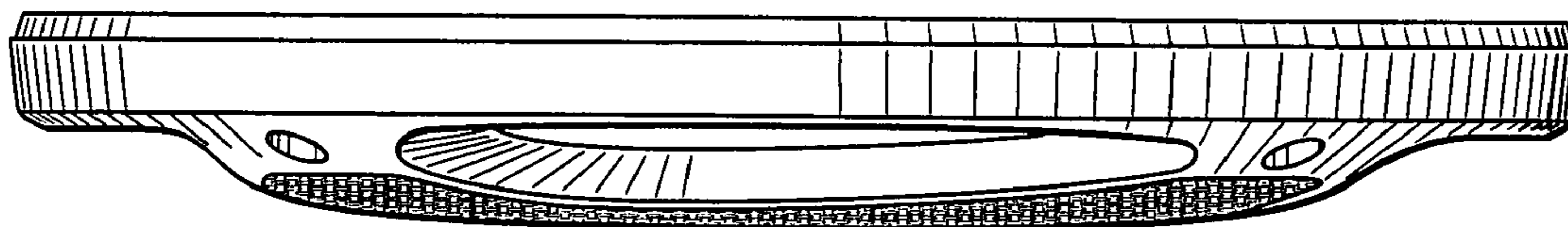


FIG. 3

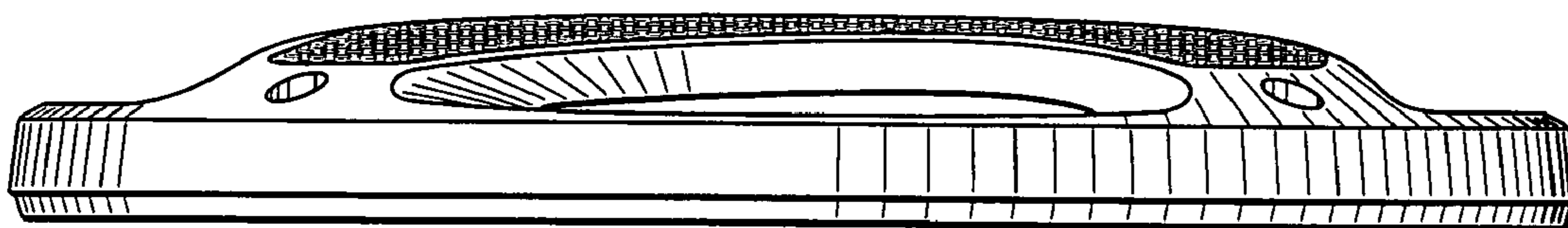


FIG. 4

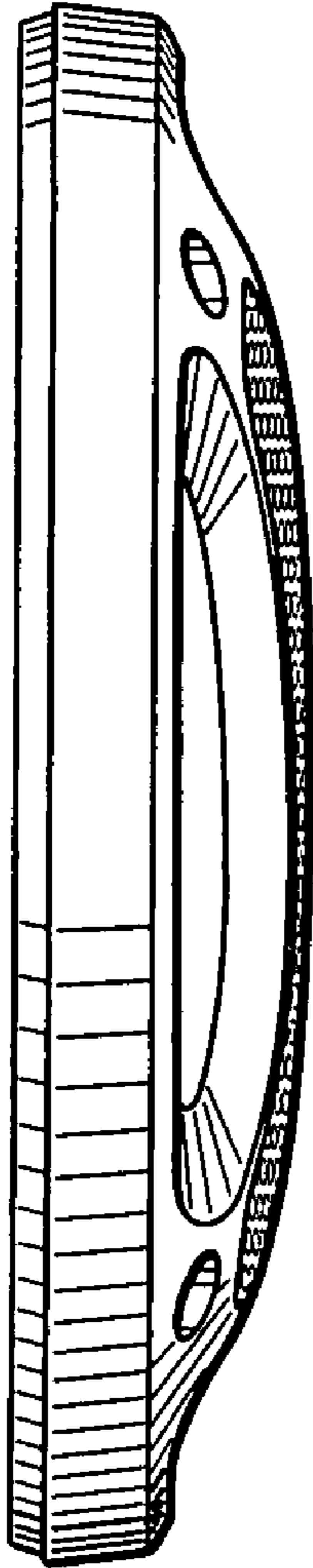


FIG. 5

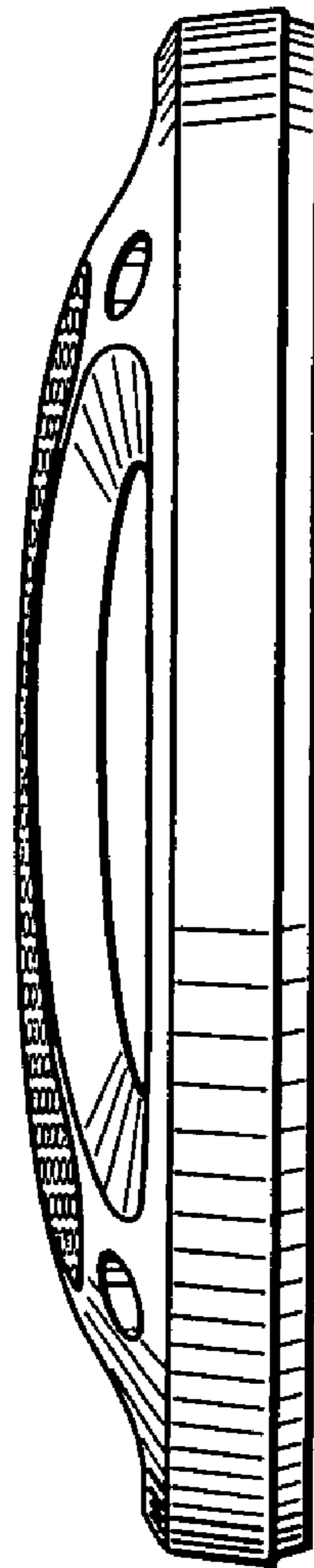


FIG. 6

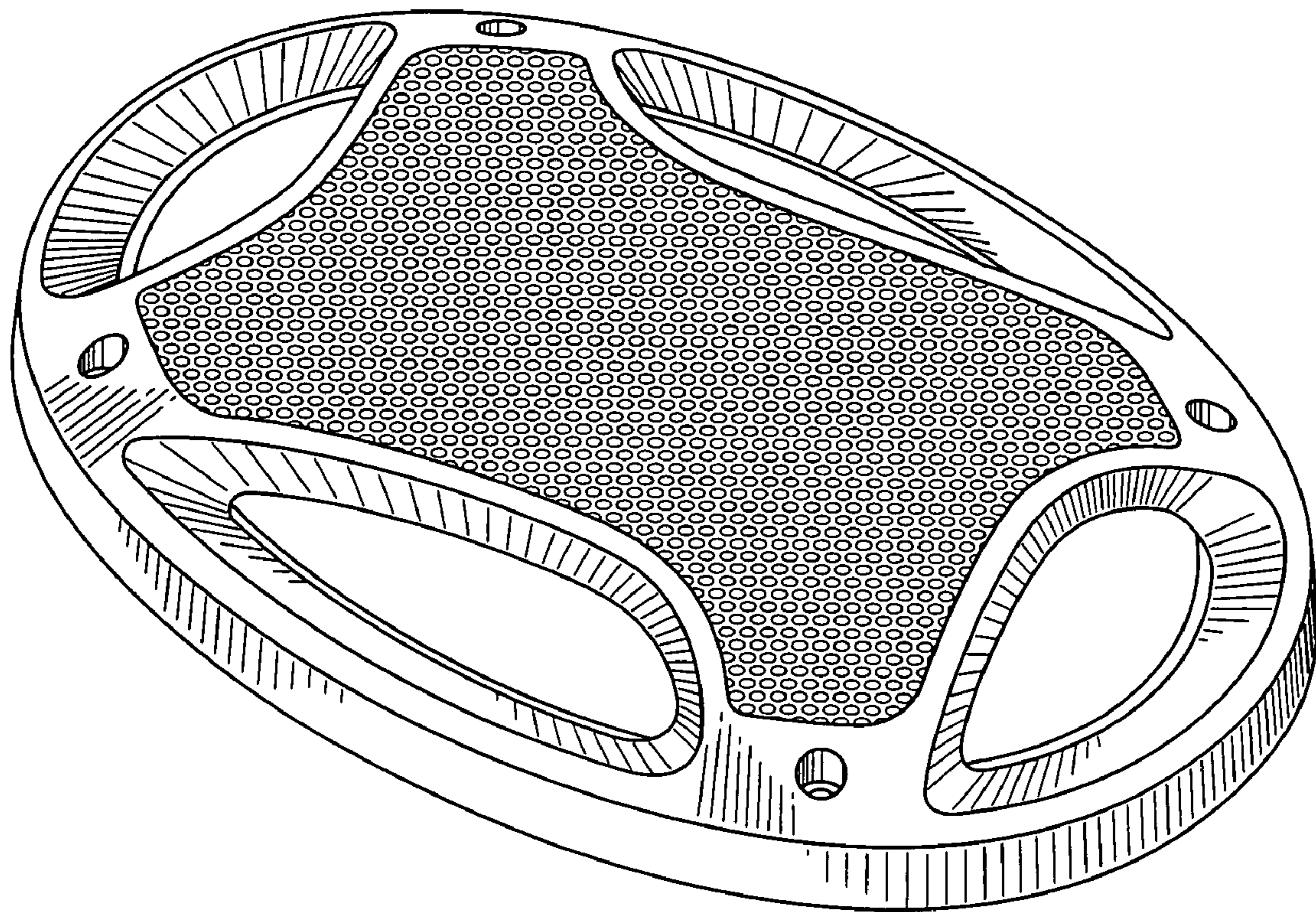


FIG. 7