

US00D567230S

(12) **United States Design Patent**  
**Seto**

(10) **Patent No.:** **US D567,230 S**

(45) **Date of Patent:** **\*\* Apr. 22, 2008**

(54) **EAR PIECE**

(75) Inventor: **Shinji Seto**, Shingu-machi (JP)

(73) Assignee: **NAP Enterprise Co., Ltd.** (JP)

(\*\*) Term: **14 Years**

(21) Appl. No.: **29/262,739**

(22) Filed: **Jul. 3, 2006**

(30) **Foreign Application Priority Data**

Jan. 11, 2006 (JP) ..... 2006-000276

(51) **LOC (8) Cl.** ..... **14-01**

(52) **U.S. Cl.** ..... **D14/223**

(58) **Field of Classification Search** ..... D14/147,  
D14/188, 192, 205-206, 223, 224, 249; D24/106,  
D24/174; 181/129-132, 135; 379/430-432;  
381/376-381, 183, 187, 322, 385; 128/864-865,  
128/868

See application file for complete search history.

(56) **References Cited**

**U.S. PATENT DOCUMENTS**

2,487,038 A \* 11/1949 Baum ..... 181/135  
2,619,960 A \* 12/1952 Reynolds ..... 128/868  
D195,322 S \* 5/1963 Hill ..... D24/106  
D236,988 S \* 9/1975 Walters et al. .... D14/223

D259,279 S \* 5/1981 Takeda ..... D24/106  
5,113,967 A \* 5/1992 Killion et al. .... 181/132  
5,819,745 A \* 10/1998 Mobley et al. .... 128/864  
5,957,136 A \* 9/1999 Magidson et al. .... 128/864  
D444,141 S \* 6/2001 Koss et al. .... D14/223  
6,253,871 B1 \* 7/2001 Aceti ..... 181/135  
D468,301 S \* 1/2003 Fushimi ..... D14/223  
D481,709 S \* 11/2003 Solderits ..... D14/228

\* cited by examiner

*Primary Examiner*—Paula A. Greene

(74) *Attorney, Agent, or Firm*—Thomas, Kayden,  
Horstemeyer & Risley, LLP.

(57) **CLAIM**

The ornamental design of an ear piece, as shown and described.

**DESCRIPTION**

FIG. 1 is a front view of an ear piece showing my new design, the rear and side views are identical;

FIG. 2 is a top side view thereof;

FIG. 3 is a bottom view thereof; and,

FIG. 4 is a perspective view thereof.

The rear view and right and left side views are identical to the front view.

**1 Claim, 2 Drawing Sheets**

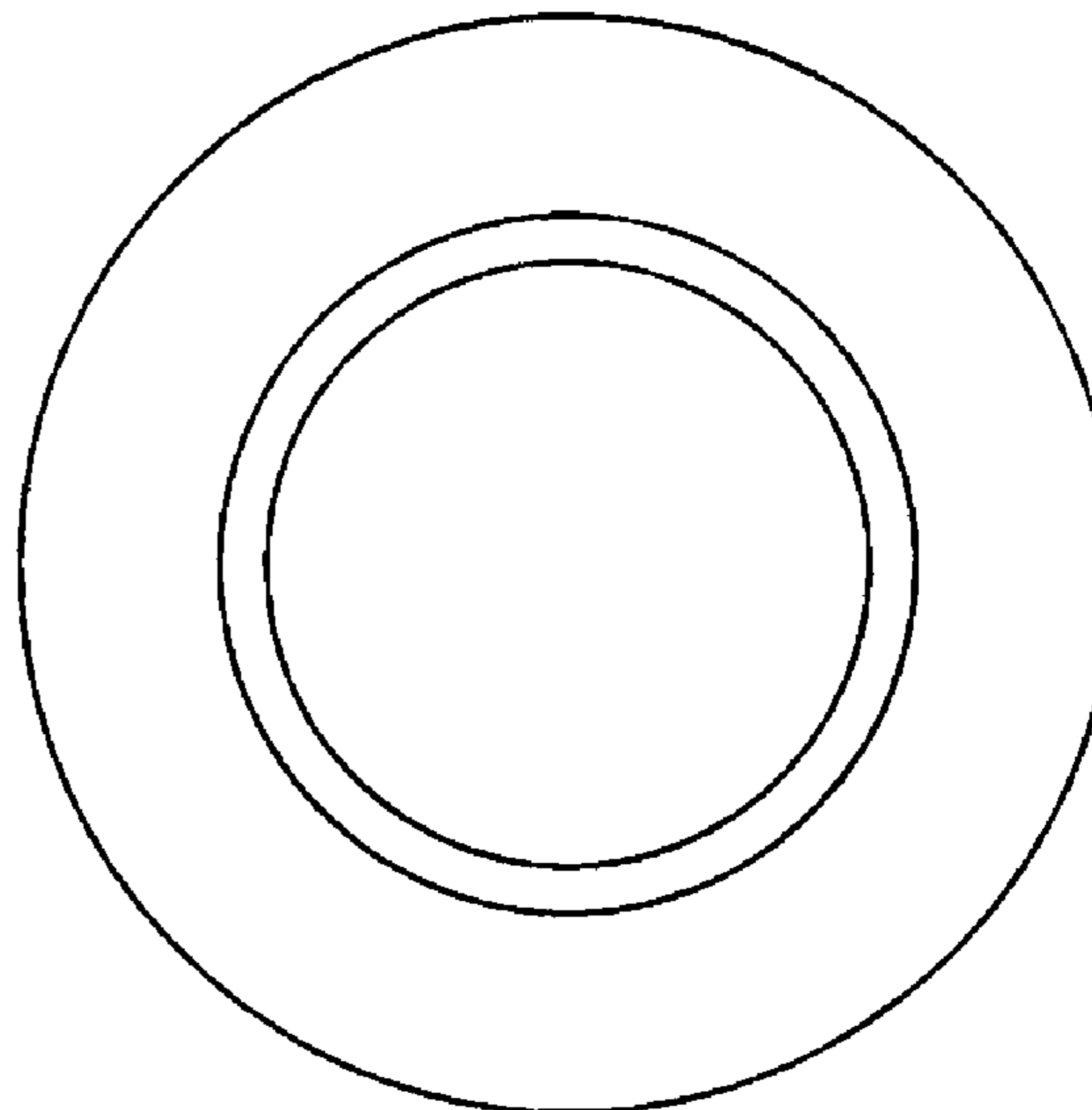
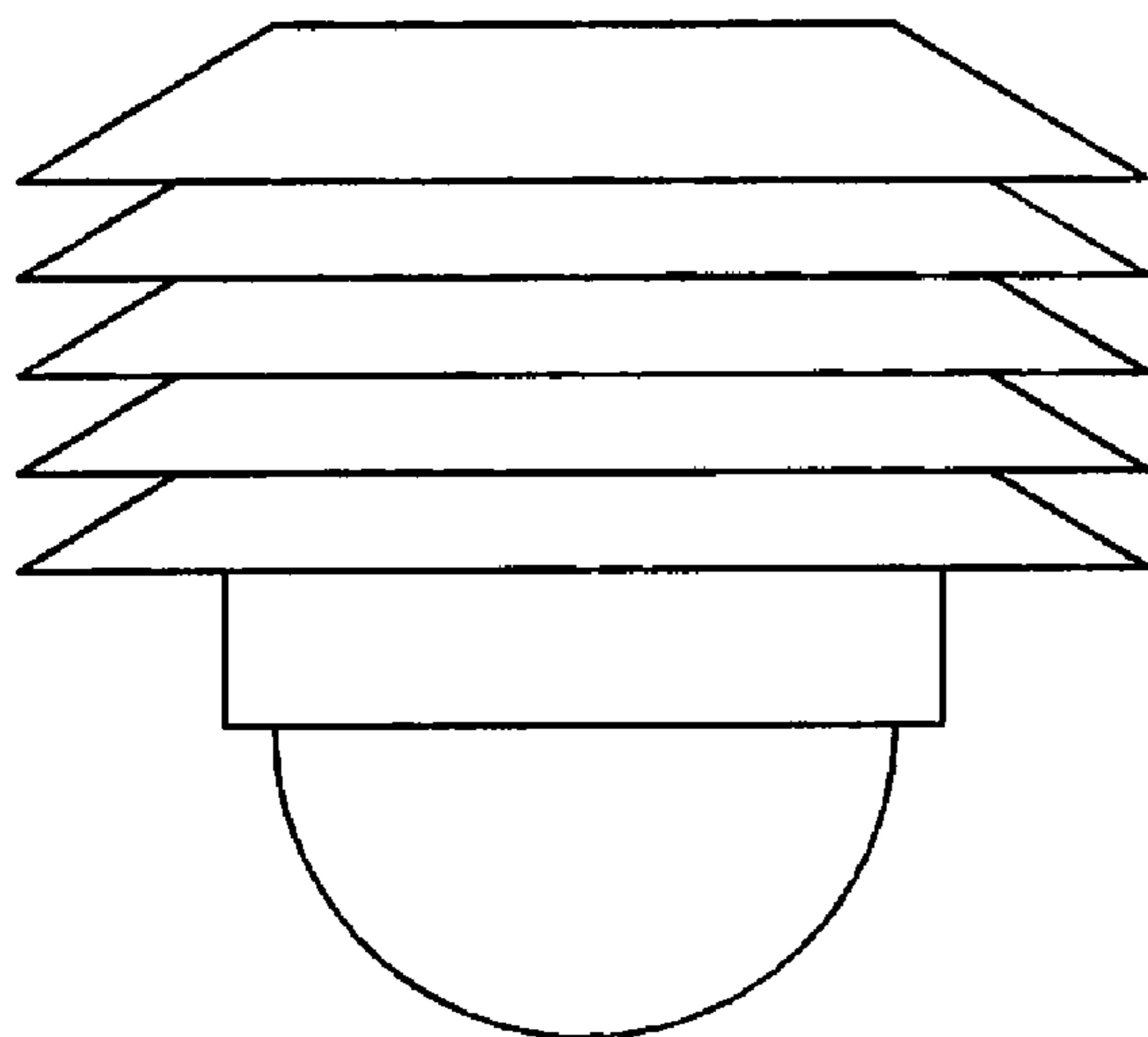


FIG. 1

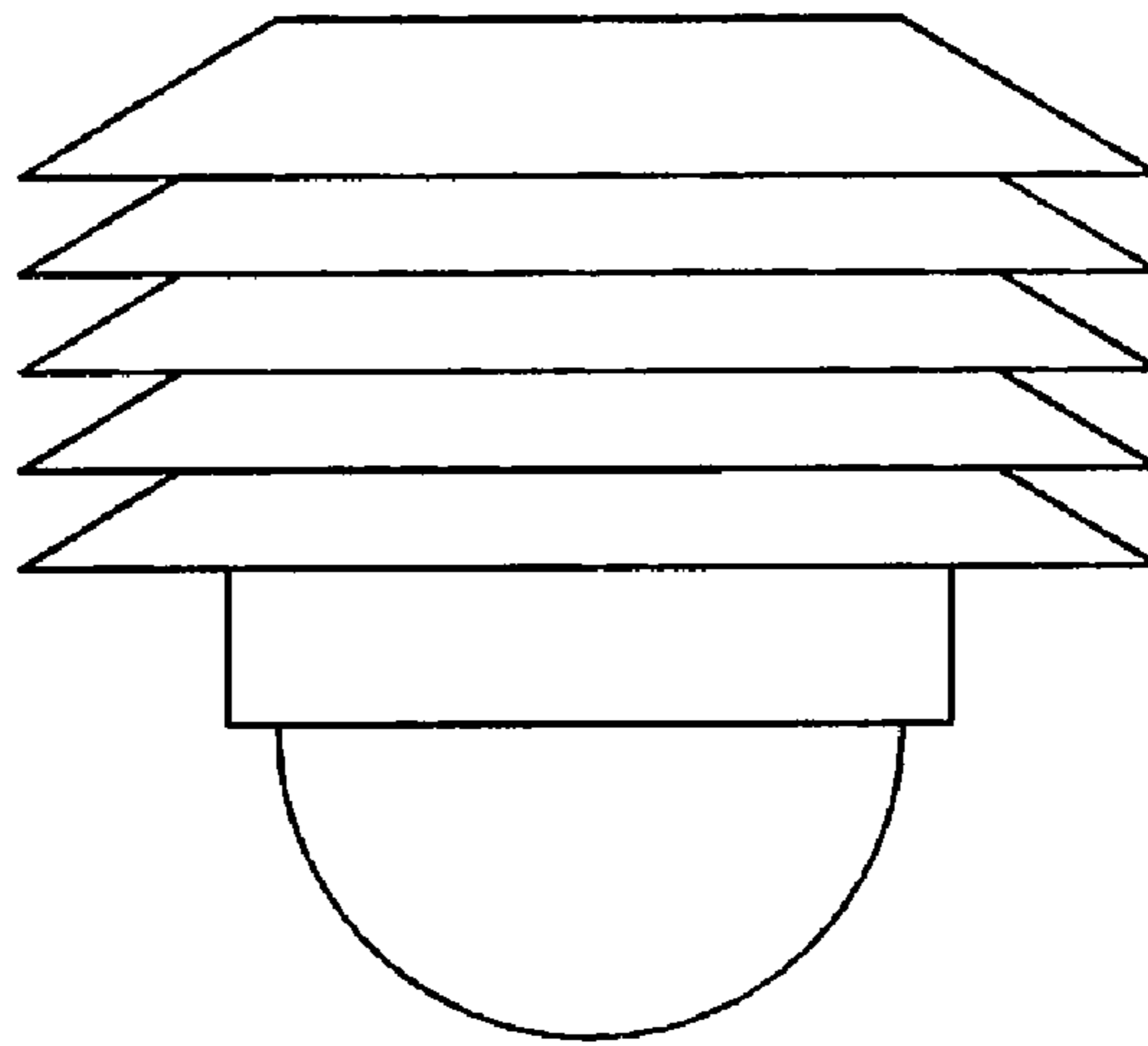


FIG. 2

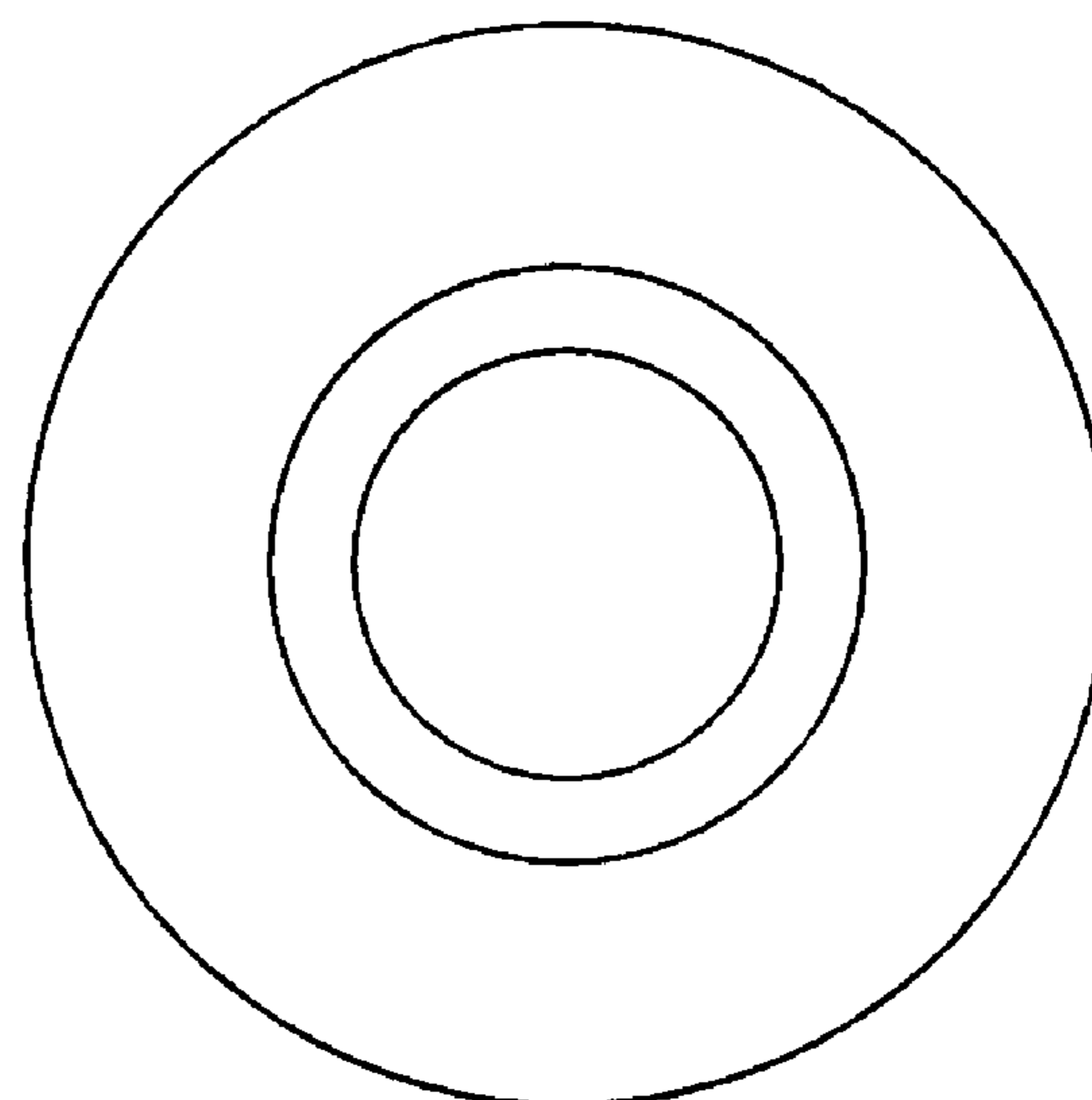


FIG. 3

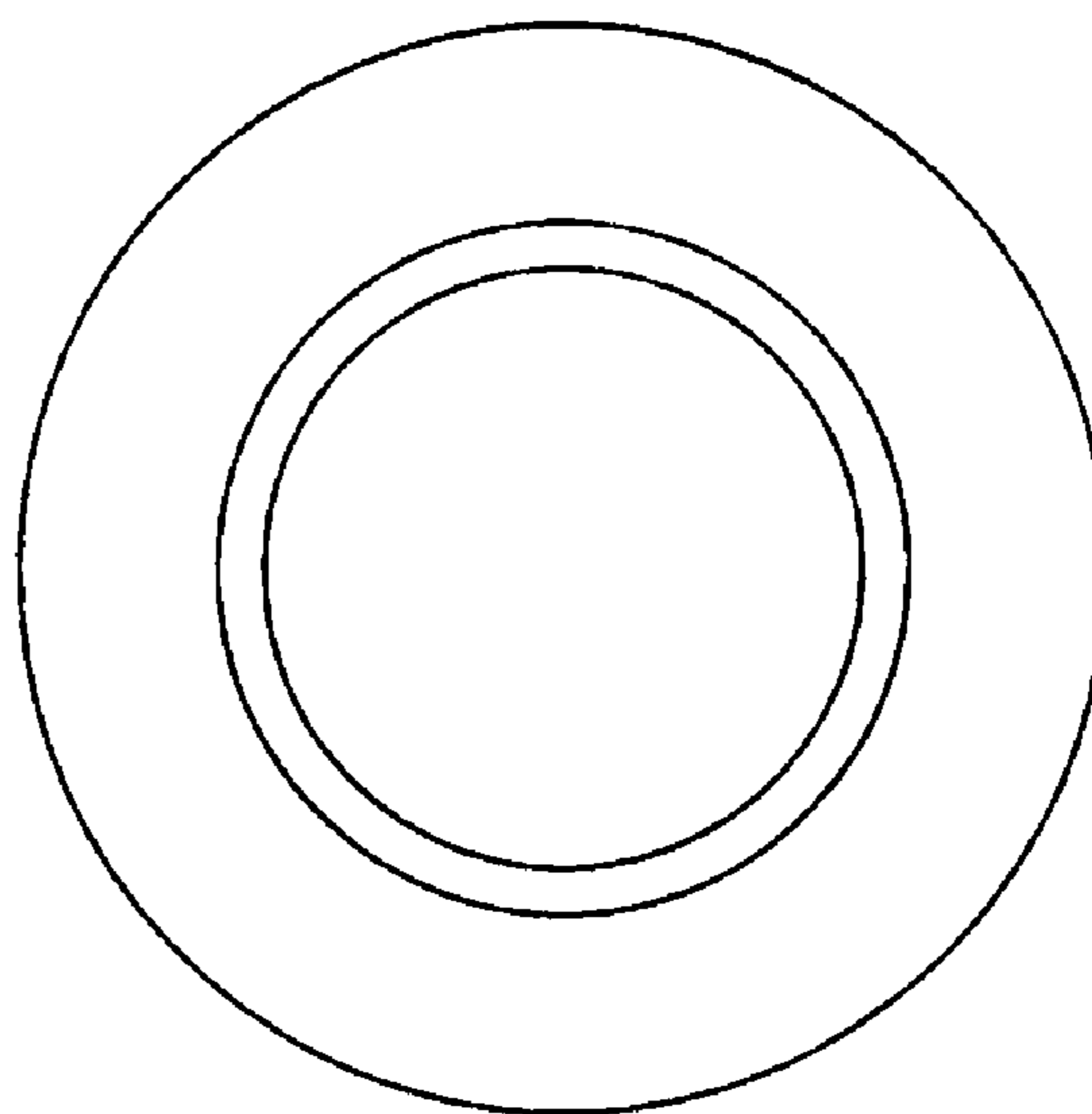


FIG. 4

