

US00D567228S

(12) **United States Design Patent**
Lazzeroni et al.

(10) **Patent No.:** **US D567,228 S**

(45) **Date of Patent:** **** Apr. 22, 2008**

(54) **SPEAKER GRILL**

(75) Inventors: **John J. Lazzeroni**, Tucson, AZ (US);
Melinda K. Carevich, Tucson, AZ
(US)

(73) Assignee: **J&M Corporation**, Tucson, AZ (US)

(**) Term: **14 Years**

(21) Appl. No.: **29/277,331**

(22) Filed: **Feb. 21, 2007**

(51) **LOC (8) Cl.** **14-01**

(52) **U.S. Cl.** **D14/219**

(58) **Field of Classification Search** D14/204,
D14/209-216; 181/143-144, 147-148, 150,
181/157, 198-199, 151, 153; 381/300-302,
381/306, 333, 345, 361-364, 386-388, 332,
381/336

See application file for complete search history.

(56) **References Cited**

U.S. PATENT DOCUMENTS

2,949,163 A * 8/1960 Friedman 181/199
D302,818 S * 8/1989 Camens D14/219

5,033,093 A * 7/1991 Tardo 381/177
D488,801 S * 4/2004 Shindo et al. D14/216
D518,028 S * 3/2006 Halsall et al. D14/216

* cited by examiner

Primary Examiner—Nanda Bondade

(74) *Attorney, Agent, or Firm*—Quarles & Brady LLP;
Gavin J. Milczarek-Desai

(57) **CLAIM**

The ornamental design for a speaker grill, as shown and described.

DESCRIPTION

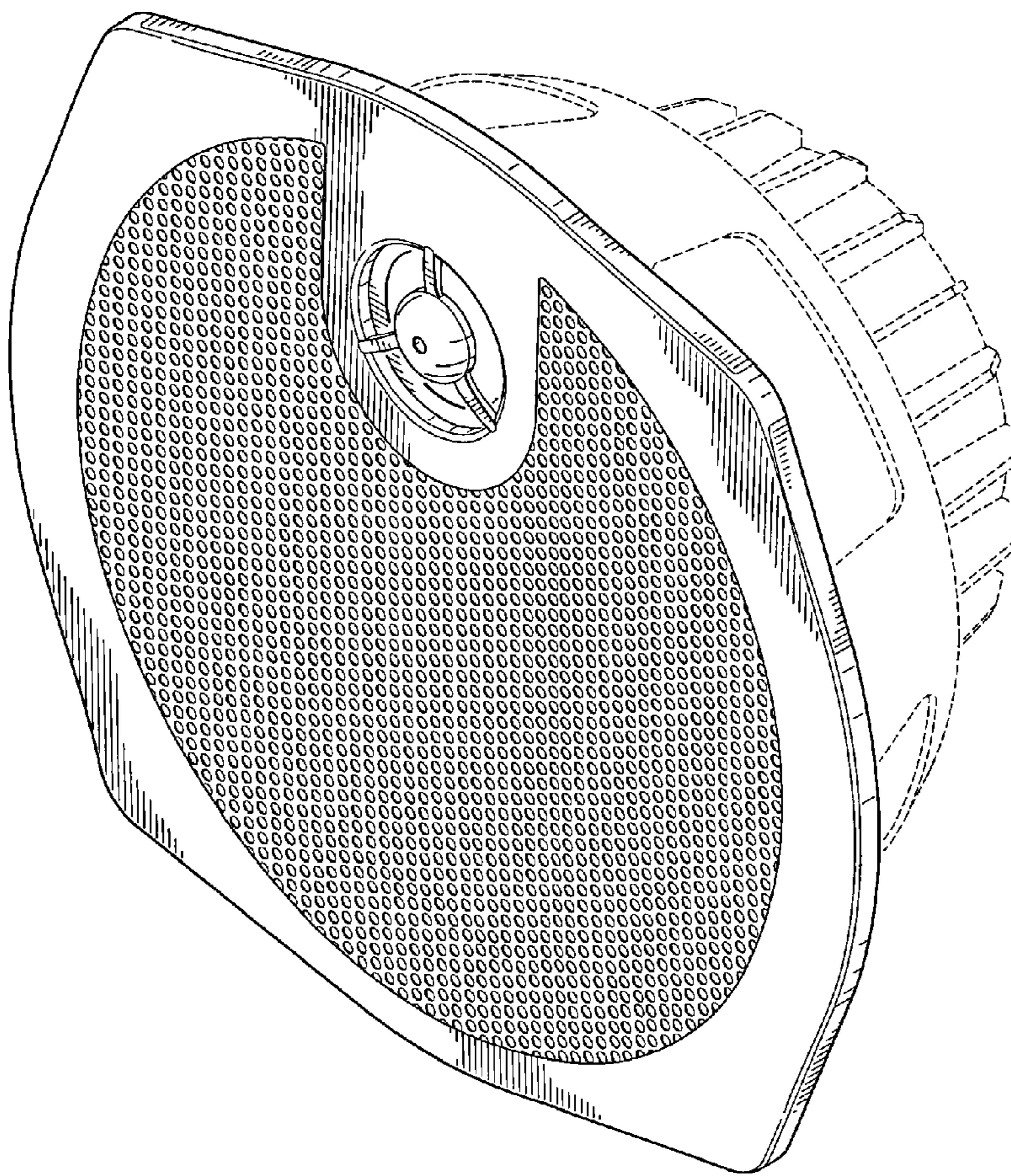
FIG. 1 is a front perspective view of a speaker grill showing our new design;

FIG. 2 is front elevational view thereof; and,

FIG. 3 is a right side elevational view thereof, the left side elevational view thereof being the same.

The broken line showing on the drawing disclosure is for illustrative purposes only and forms no part of the claimed design.

1 Claim, 2 Drawing Sheets



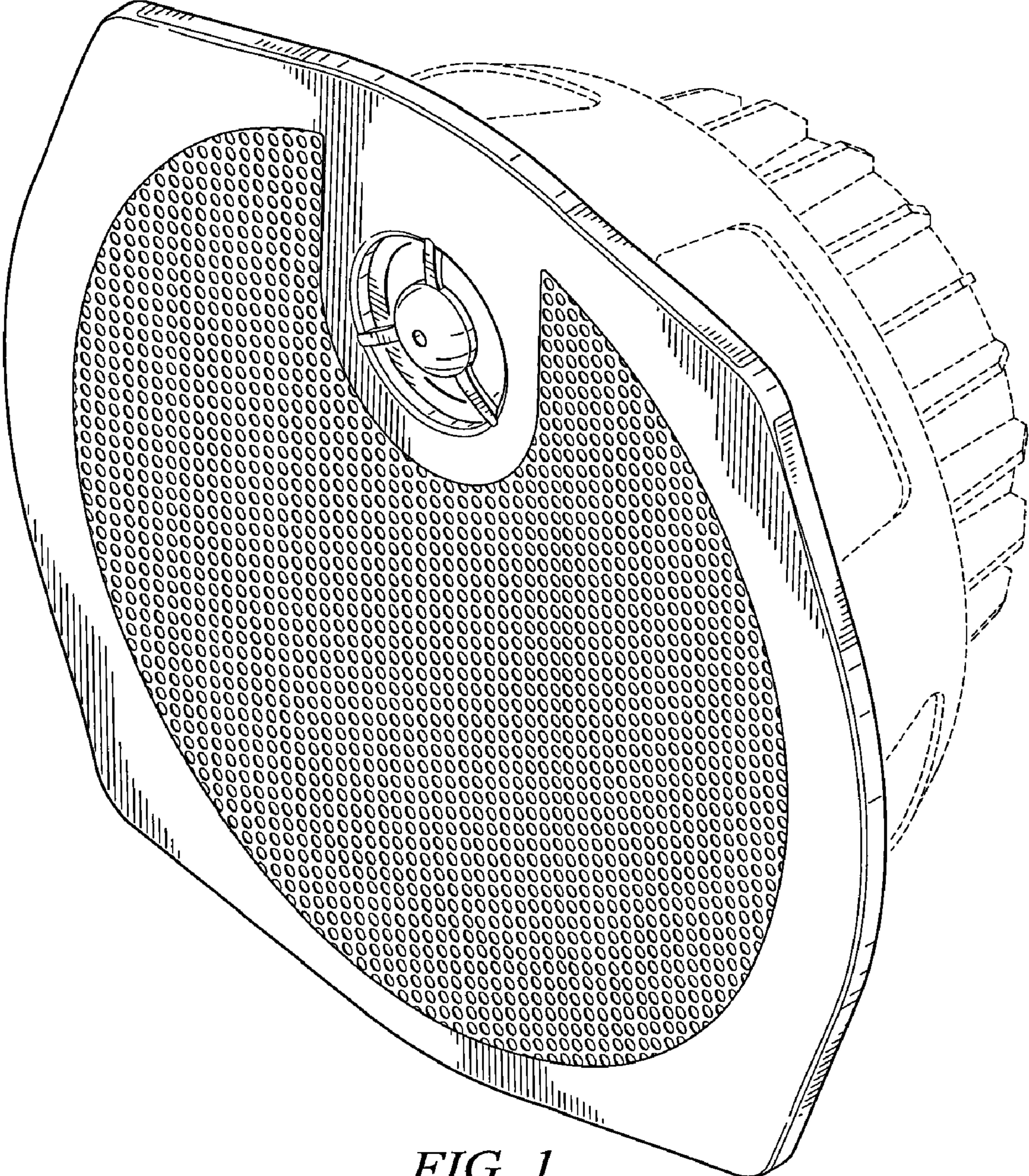


FIG. 1

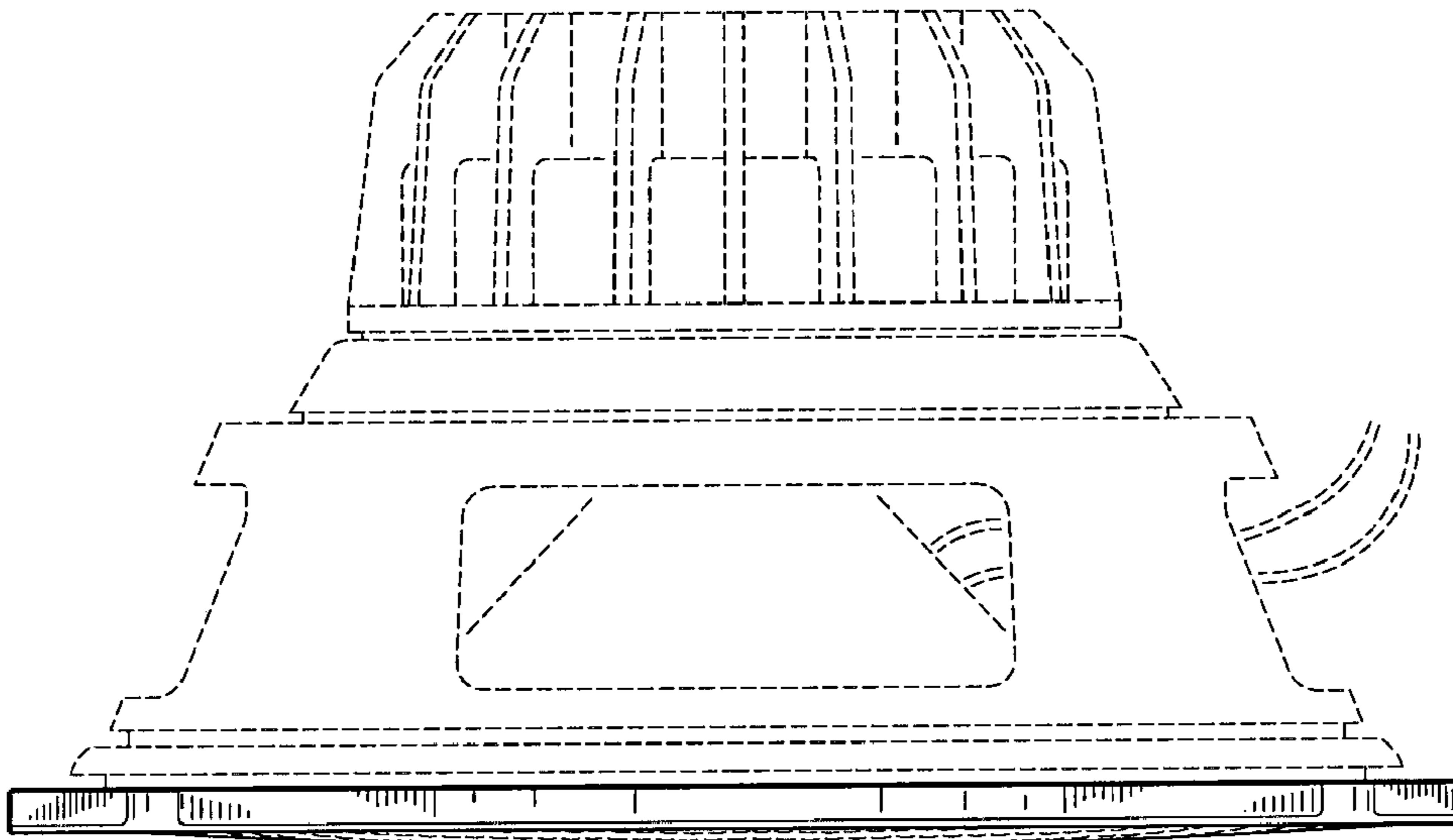


FIG. 3

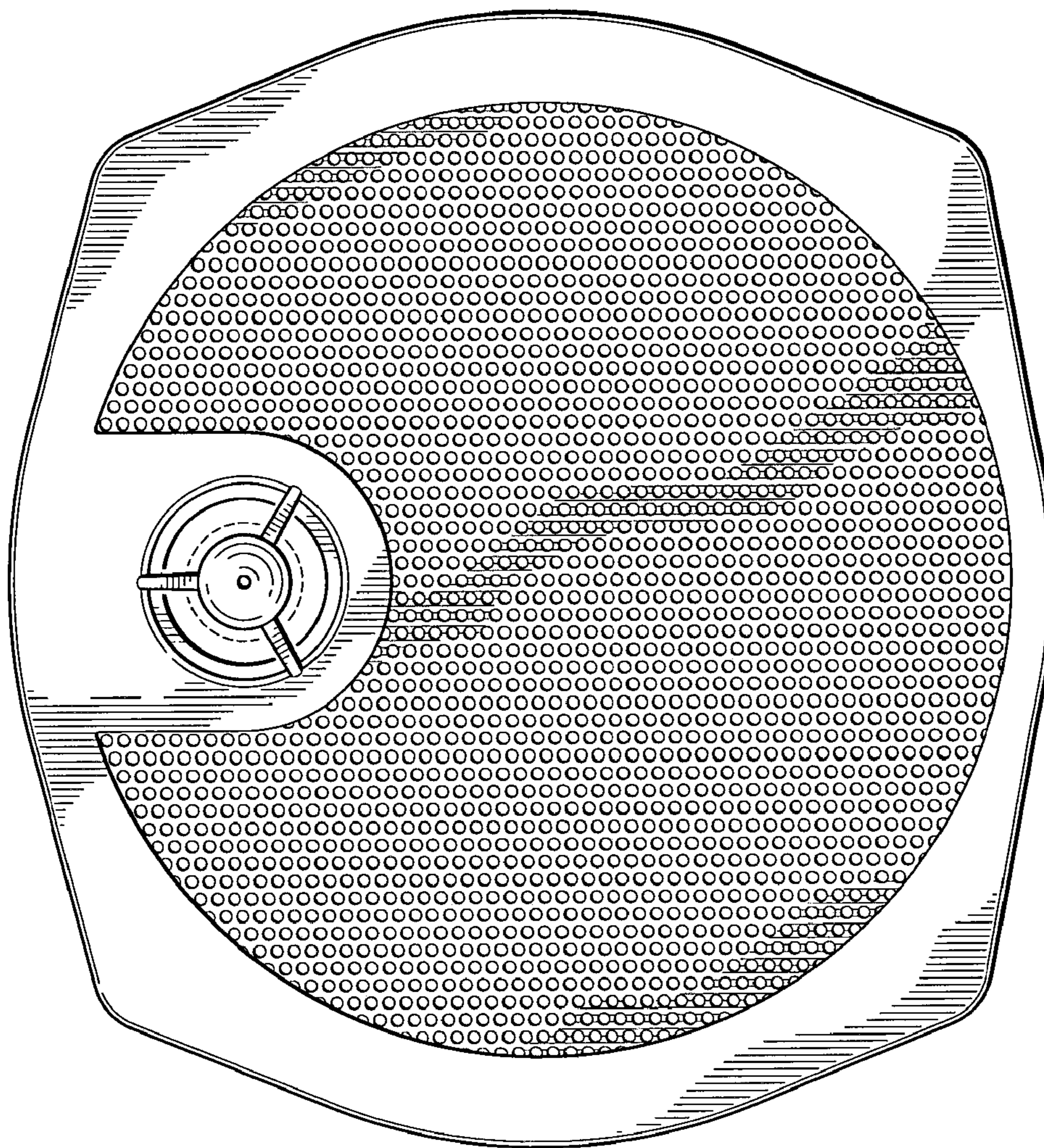


FIG. 2