



US00D567227S

(12) **United States Design Patent**
Hada

(10) **Patent No.:** **US D567,227 S**
(45) **Date of Patent:** **** Apr. 22, 2008**

(54) **REMOTE CONTROLLER FOR SEMICONDUCTOR MEMORY CARD PLAYER**

D466,487 S * 12/2002 Wada et al. D14/138
D549,221 S * 8/2007 Yagi D14/218
2007/0241929 A1* 10/2007 Marchetto D14/218

(75) Inventor: **Hirotooshi Hada**, Kadoma (JP)

FOREIGN PATENT DOCUMENTS

(73) Assignee: **Matsushita Electric Industrial Co., Ltd.**, Osaka (JP)

JP D 1103245 3/2001
JP D 1182589 8/2003
JP D 1239938 5/2005

(**) Term: **14 Years**

* cited by examiner

(21) Appl. No.: **29/268,940**

Primary Examiner—Robert M. Spear
Assistant Examiner—John Windmuller

(22) Filed: **Nov. 16, 2006**

(74) *Attorney, Agent, or Firm*—Brinks Hofer Gilson & Lione

(30) **Foreign Application Priority Data**

May 19, 2006 (JP) 2006-012690

(57) **CLAIM**

(51) **LOC (8) Cl.** **14-03**

I claim the ornamental design for a remote controller for semiconductor memory card player, as shown and described.

(52) **U.S. Cl.** **D14/218; D11/4**

(58) **Field of Classification Search** D14/218, D14/455, 138; D13/168; D21/566; D10/104, D10/106; 345/169; 348/14.05, 114, 211.99, 348/734; 340/825.24, 825.69; 341/22; 455/92, 455/95, 128, 151.1–151.4, 352, 355, FOR. 121; 700/65; D11/3, 4, 5, 26, 27, 29
See application file for complete search history.

DESCRIPTION

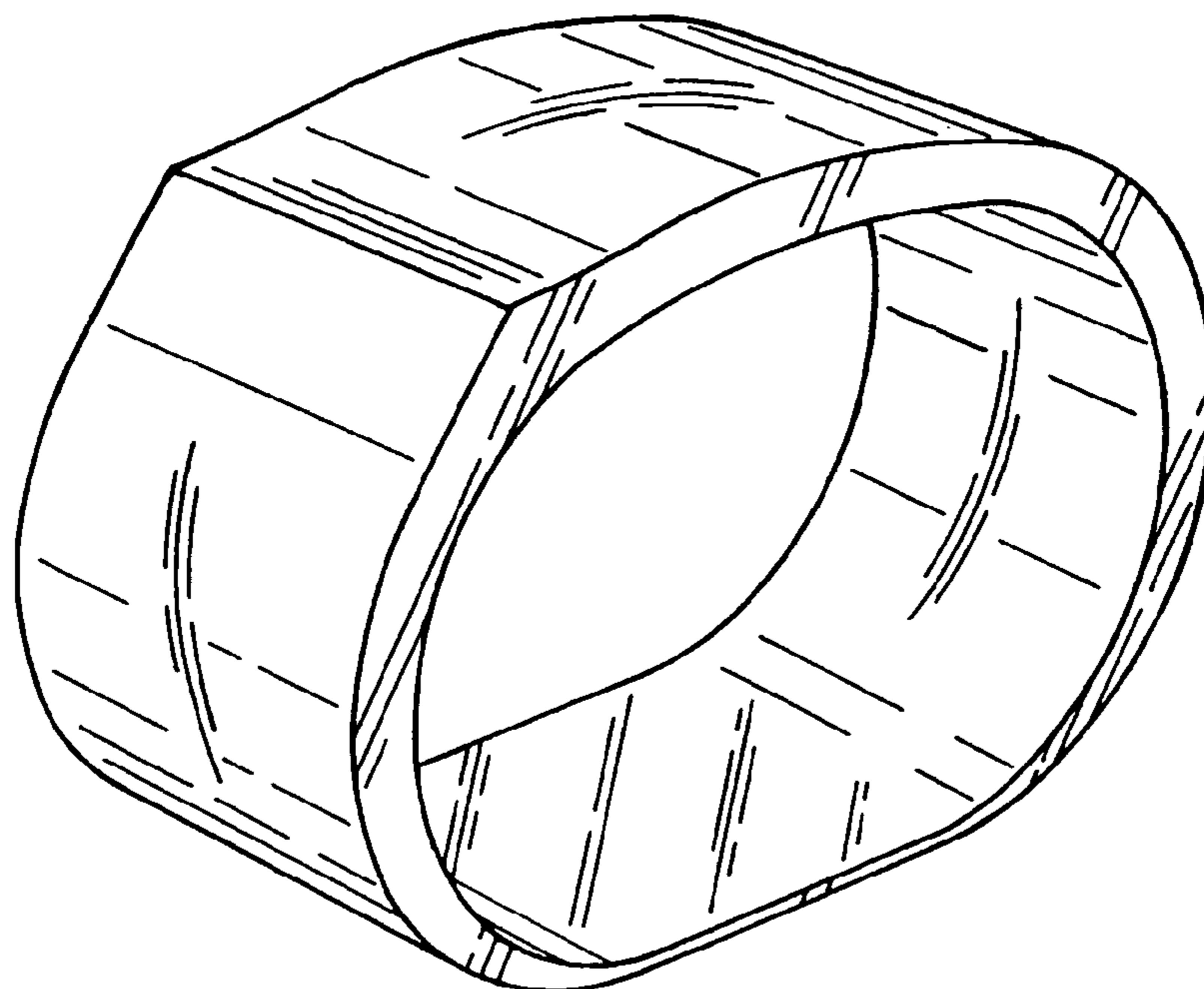
FIG. 1 is a top perspective view of a remote controller for semiconductor memory card player of the present invention; FIG. 2 is a front view thereof; FIG. 3 is a rear view thereof; FIG. 4 is a first side view thereof; FIG. 5 is a second side view thereof; FIG. 6 is a top view thereof; and, FIG. 7 is a bottom view thereof.

(56) **References Cited**

U.S. PATENT DOCUMENTS

D285,543 S * 9/1986 Moser D11/4
D342,740 S * 12/1993 Parker D14/218
D458,180 S * 6/2002 Tschetter D11/4
D460,430 S * 7/2002 Wada et al. D14/138

1 Claim, 4 Drawing Sheets



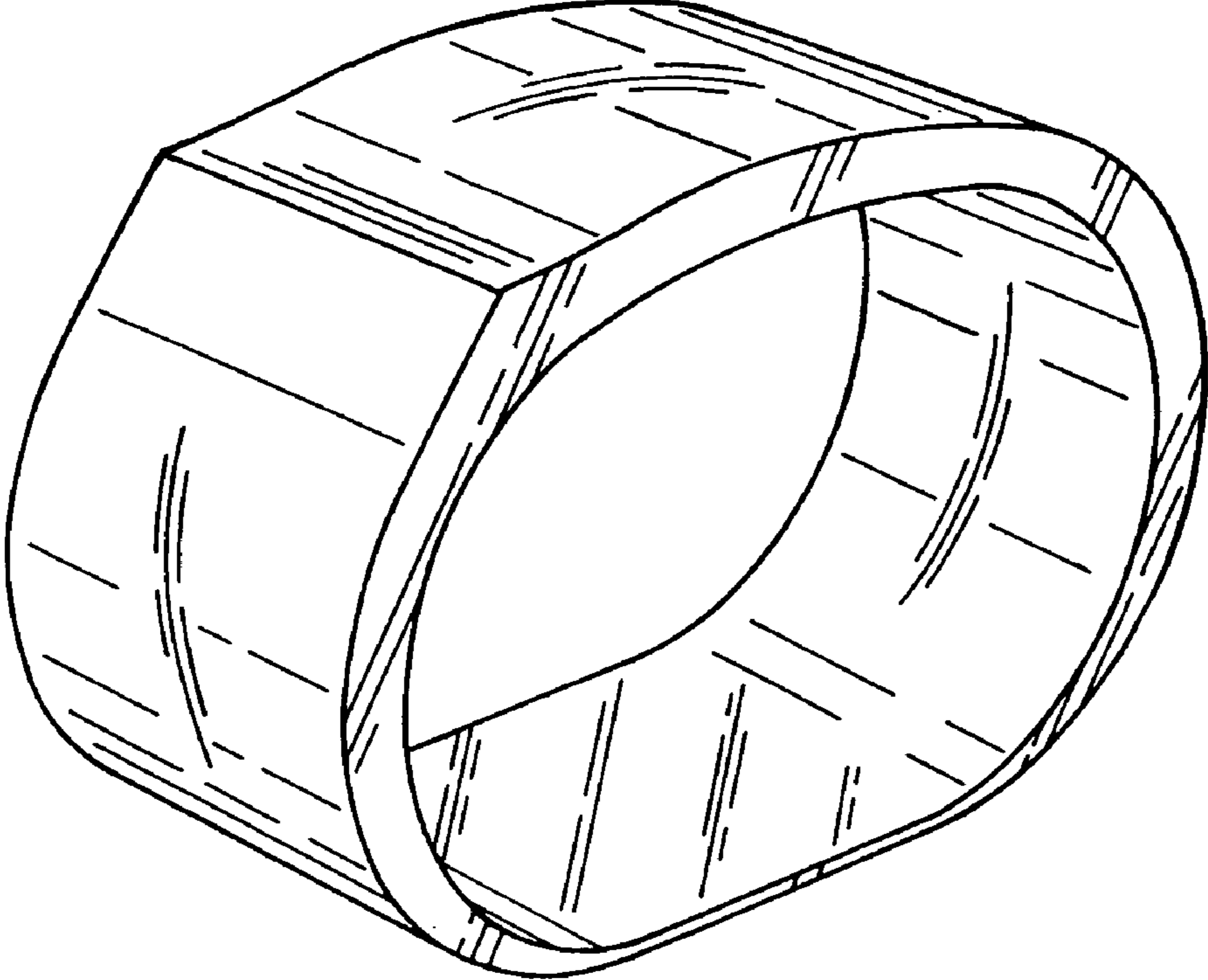


FIG. 1

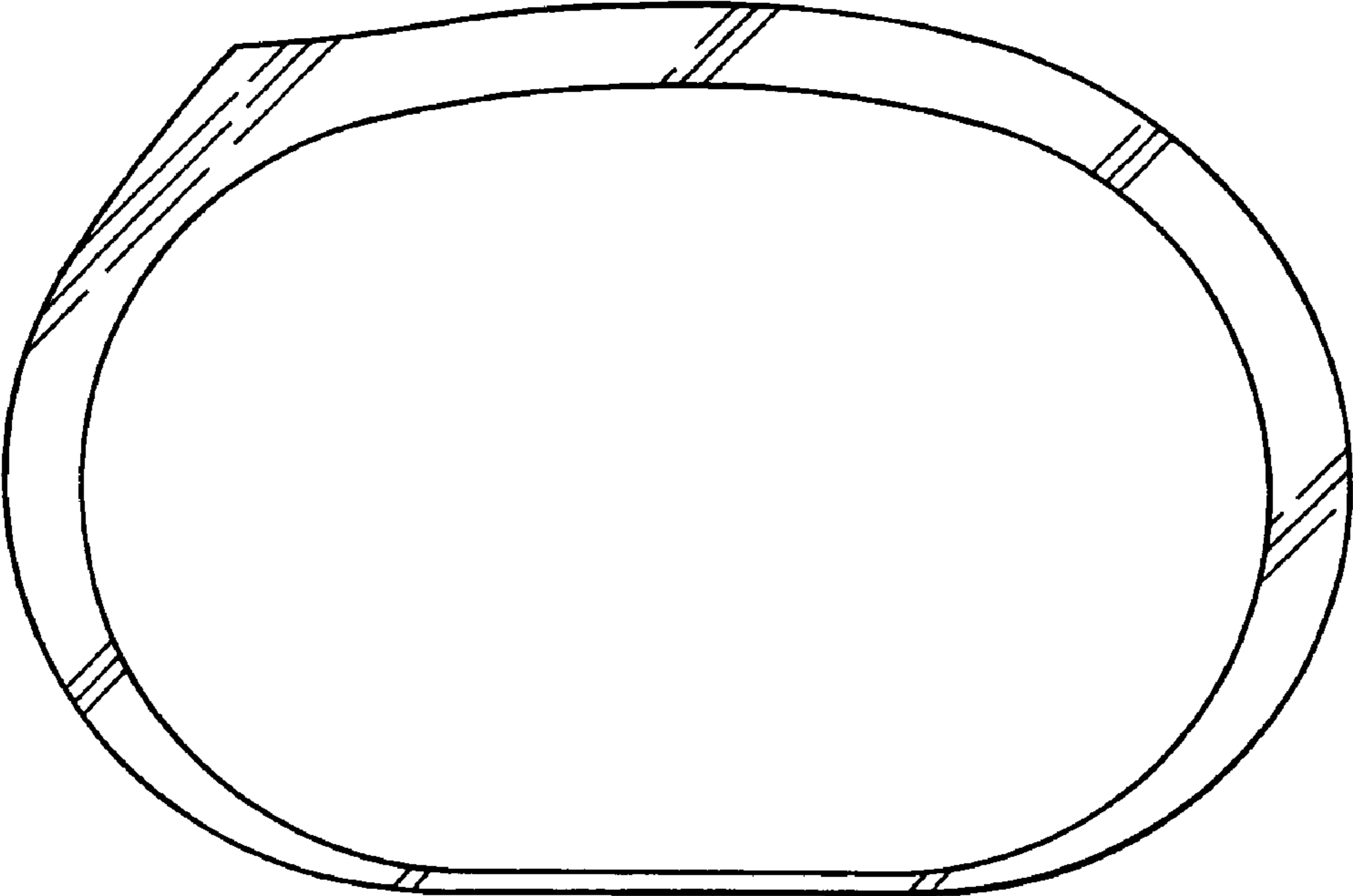


FIG. 2

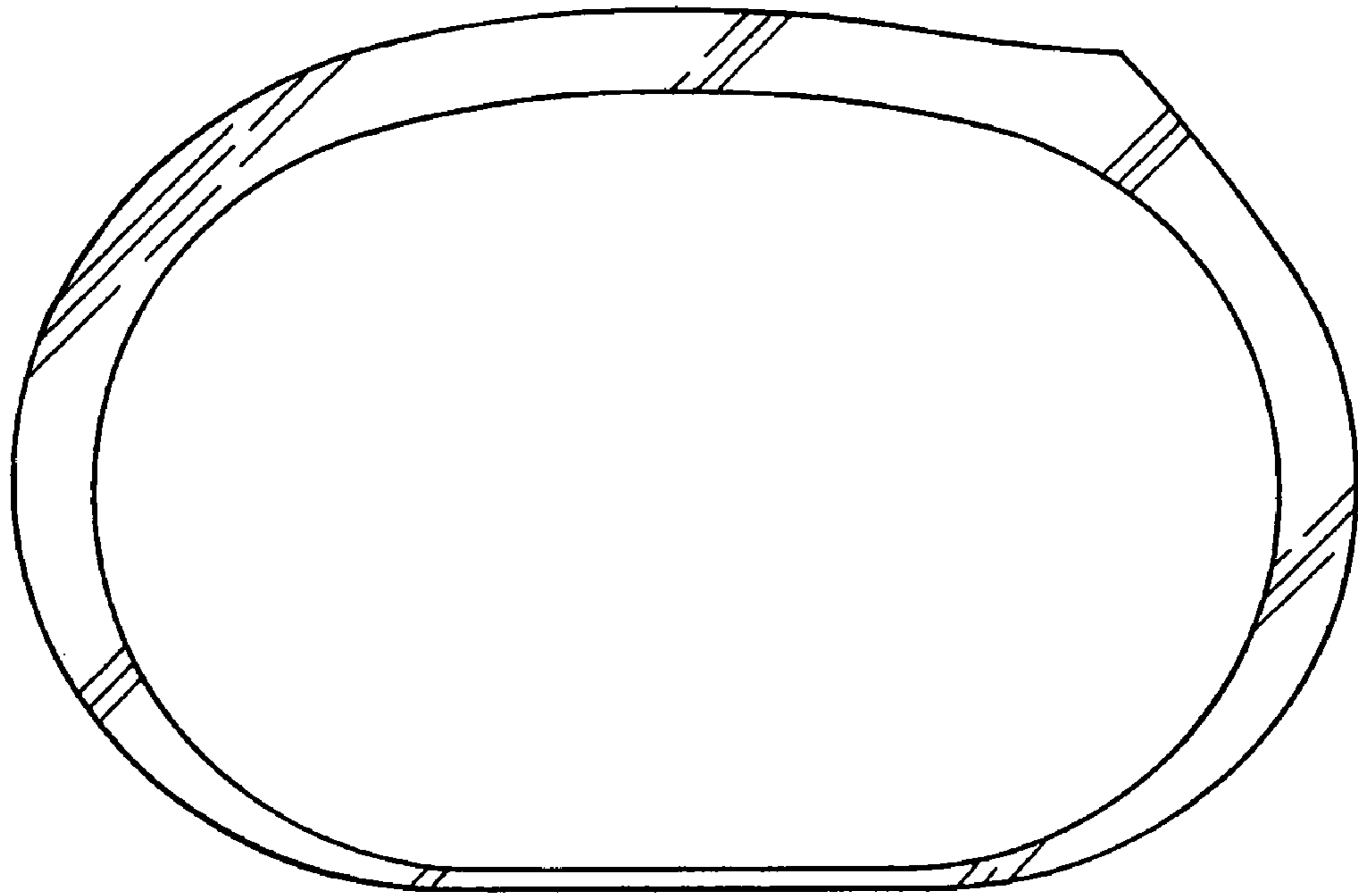


FIG. 3

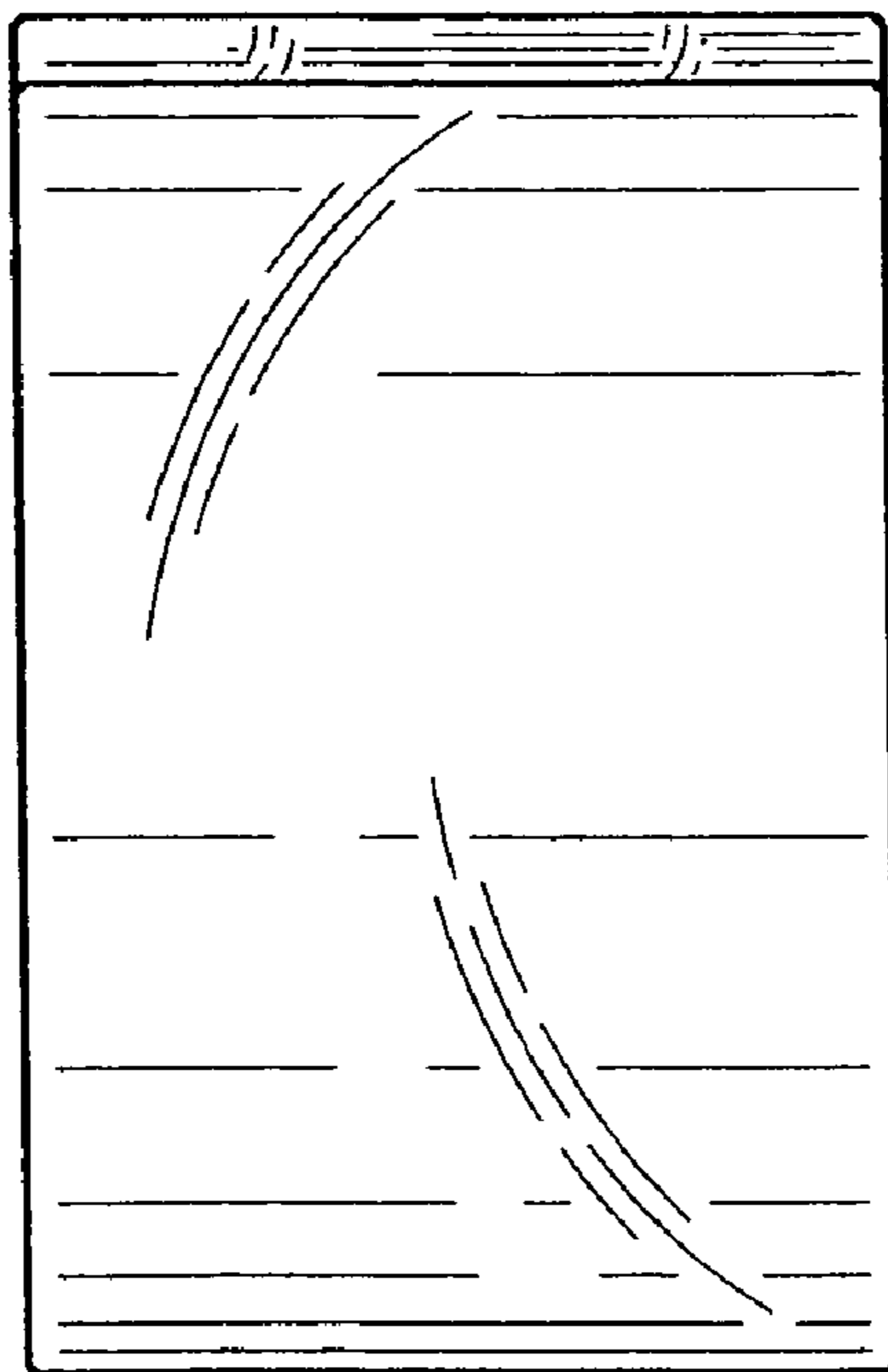


FIG. 4

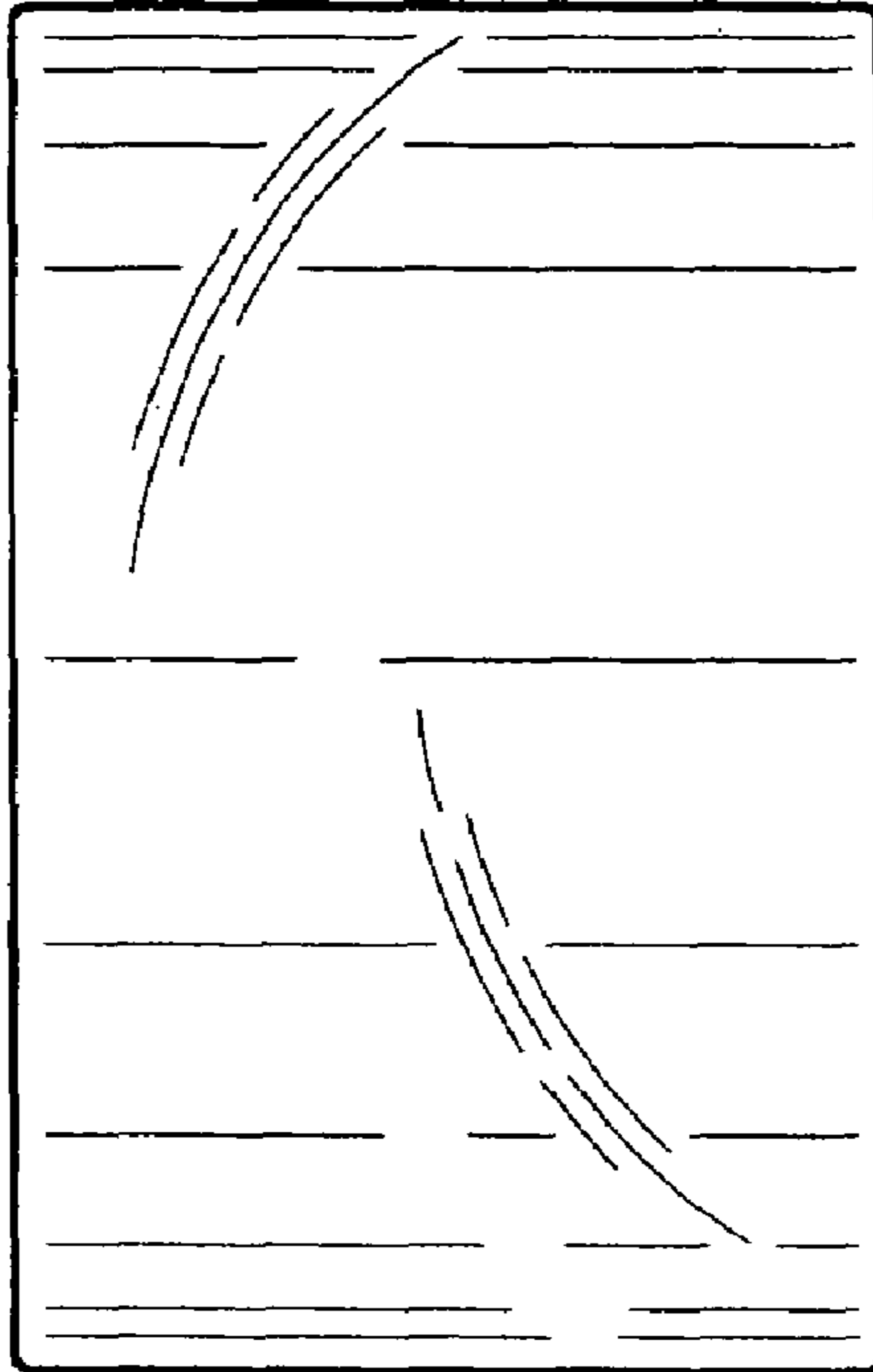


FIG. 5

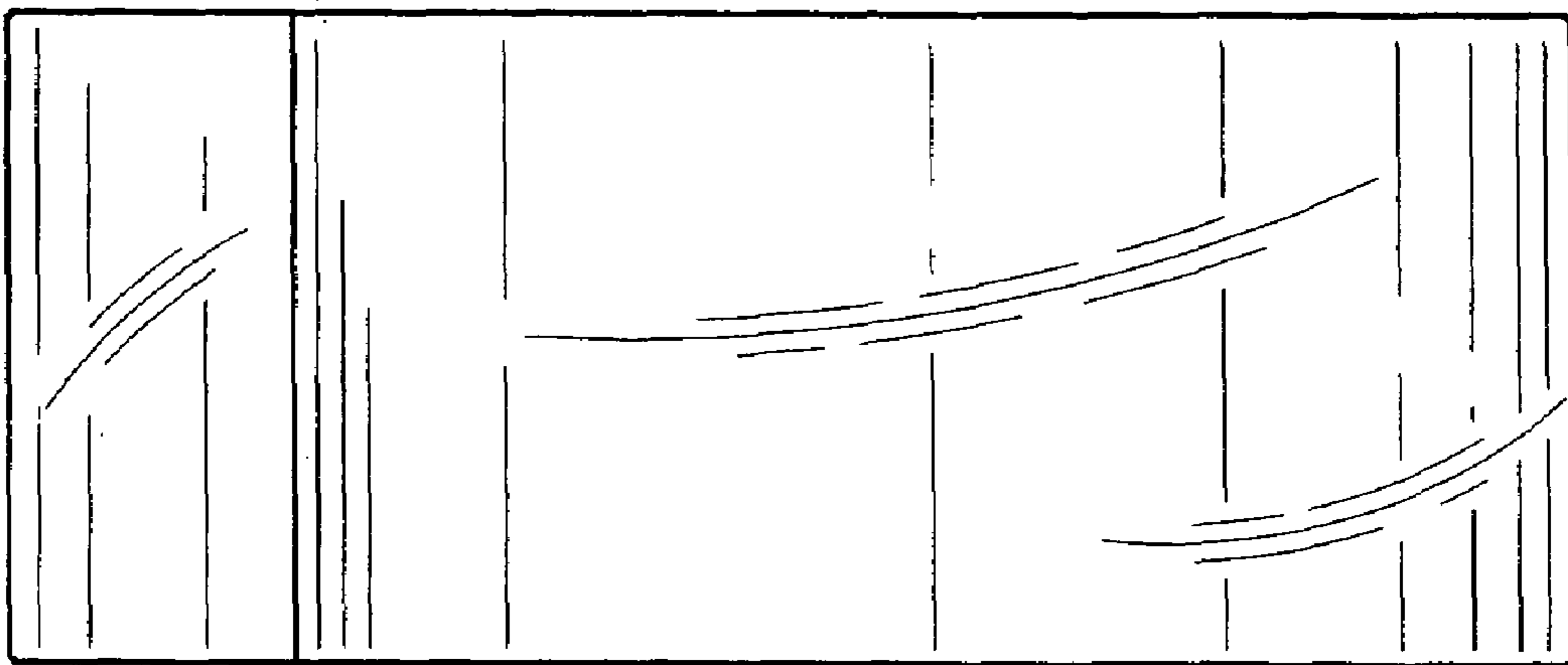


FIG. 6

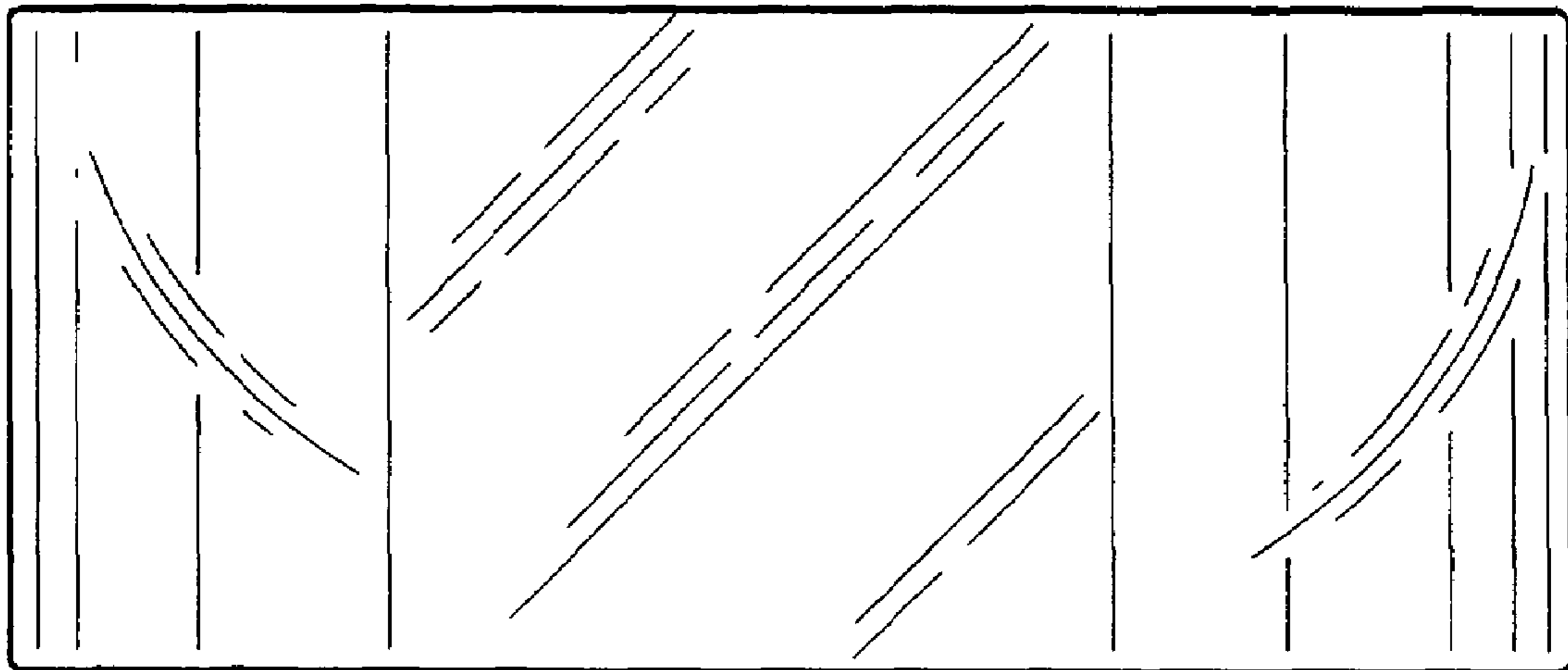


FIG.7