

US00D567226S

(12) **United States Design Patent**
Van Dijk

(10) **Patent No.:** **US D567,226 S**

(45) **Date of Patent:** **** Apr. 22, 2008**

(54) **SOUND DISK**

(75) Inventor: **Albert J. A. Van Dijk**, HJ Breda (NL)

(73) Assignee: **Robert Bosch GmbH**, Stuttgart (DE)

(**) Term: **14 Years**

(21) Appl. No.: **29/275,661**

(22) Filed: **Jan. 3, 2007**

(30) **Foreign Application Priority Data**

Aug. 16, 2006 (EM) 000578034

(51) **LOC (8) Cl.** **14-01**

(52) **U.S. Cl.** **D14/216**

(58) **Field of Classification Search** D14/204,
D14/209-216, 219, 221, 222; 181/141-144,
181/147-148, 150, 157, 198-199, 151, 153;
381/300-302, 306, 333, 345, 361-364, 386-388,
381/332, 336, 161

See application file for complete search history.

(56) **References Cited**

U.S. PATENT DOCUMENTS

4,179,009 A * 12/1979 Birkner 181/141

D315,562 S * 3/1991 Brown D14/213
5,351,220 A * 9/1994 Noselli 381/161
D362,442 S * 9/1995 Goldfarb D14/216
D519,495 S * 4/2006 Lum D14/221

* cited by examiner

Primary Examiner—Nanda Bondade

(74) *Attorney, Agent, or Firm*—Michael J. Striker

(57) **CLAIM**

The ornamental design for a sound disk, as shown and described.

DESCRIPTION

FIG. 1 is a front perspective view of a sound disk showing my new design;

FIG. 2 is a front view thereof;

FIG. 3 is a side view thereof;

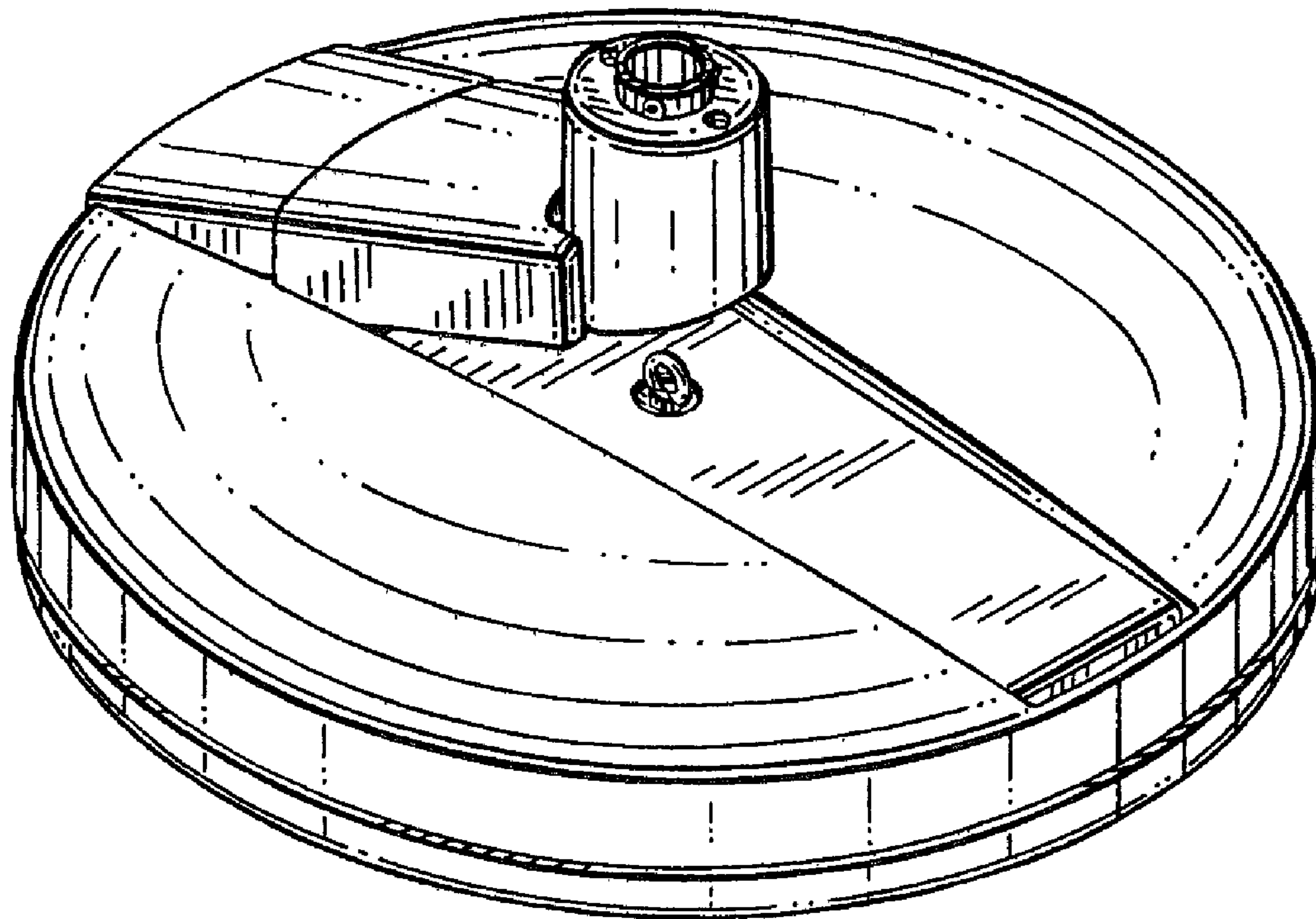
FIG. 4 is the opposite side view of FIG. 3 thereof;

FIG. 5 is a rear view thereof;

FIG. 6 is a top view thereof; and,

FIG. 7 is a bottom view thereof.

1 Claim, 4 Drawing Sheets



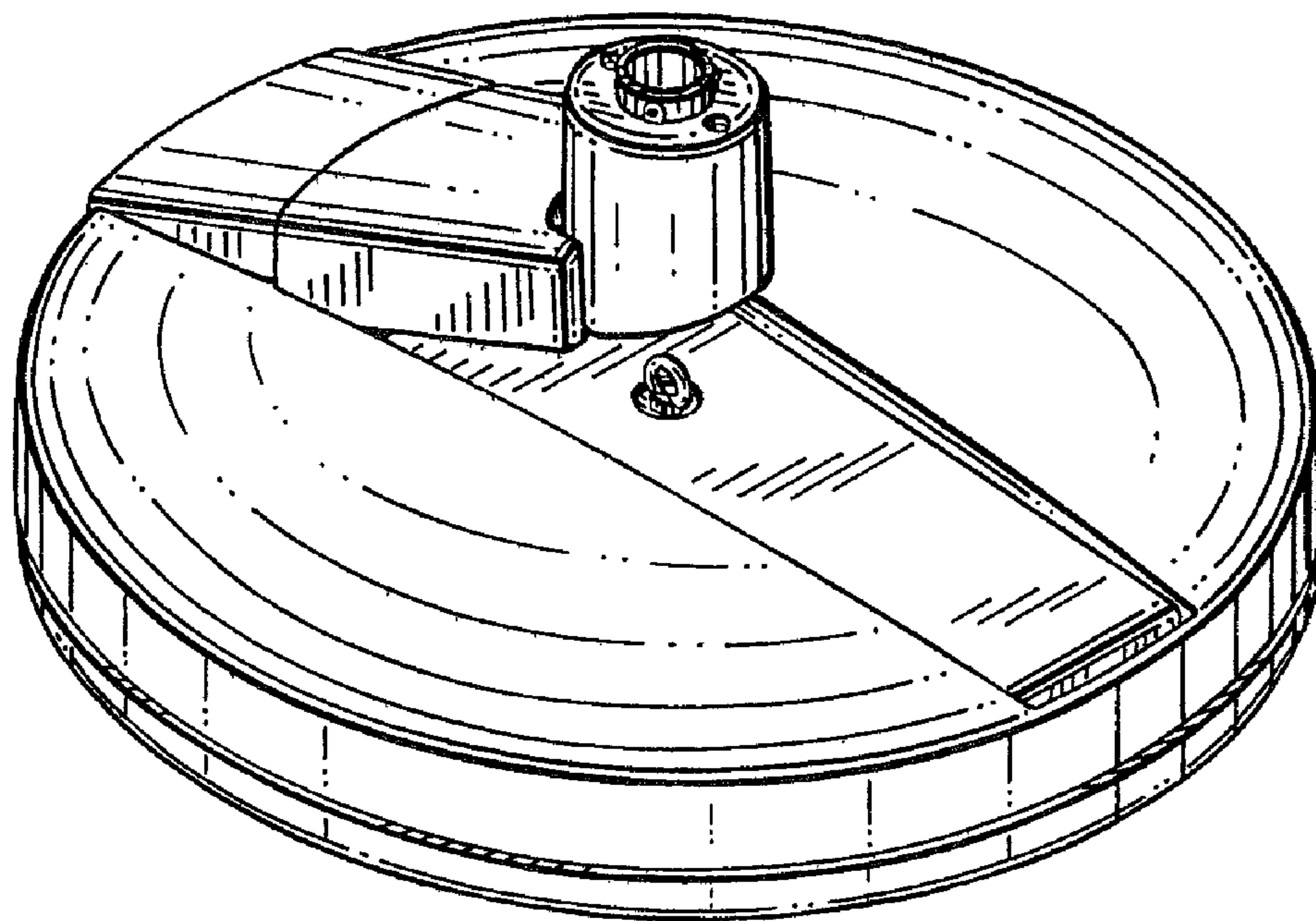


FIG. 1

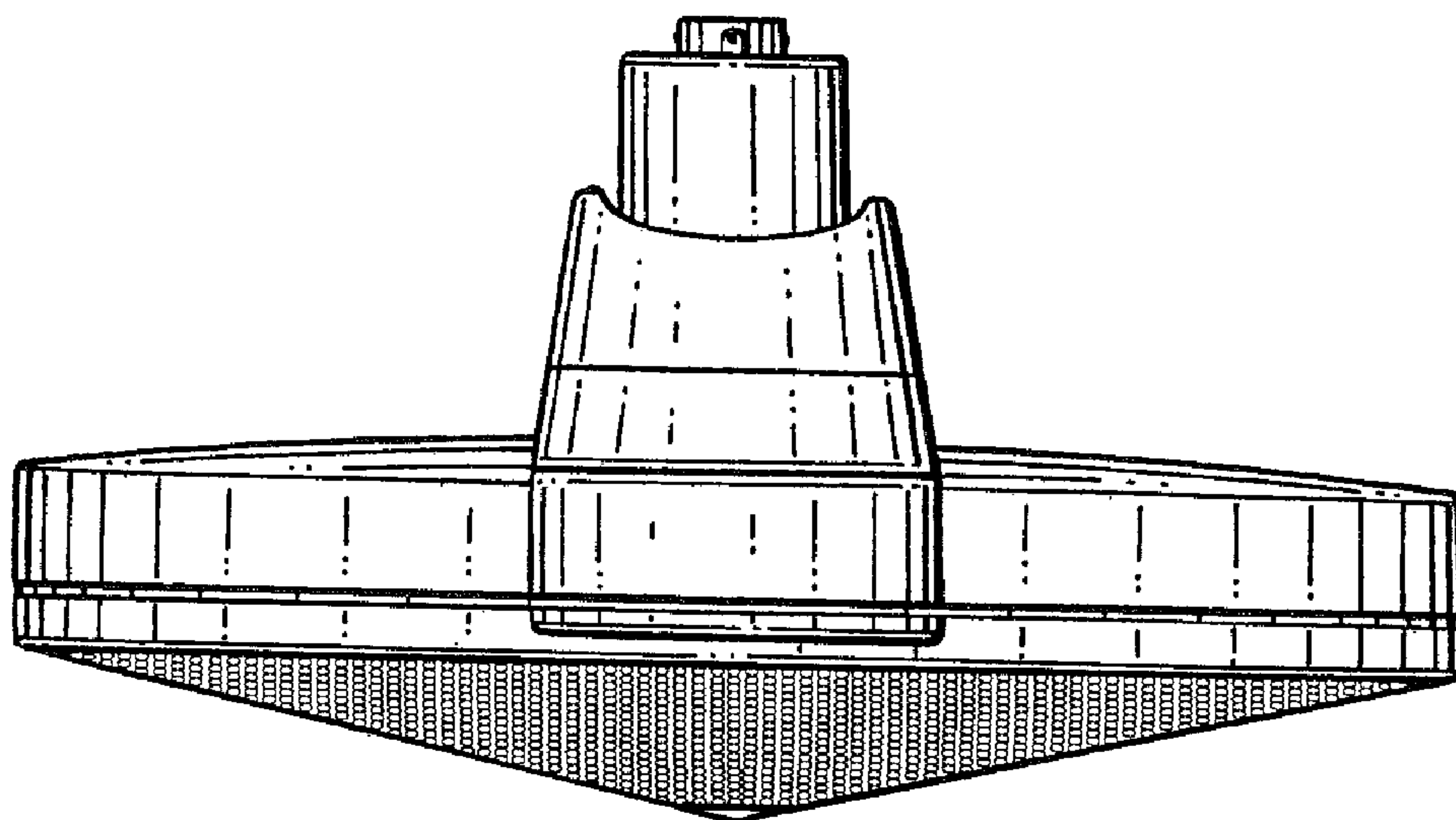


FIG. 2

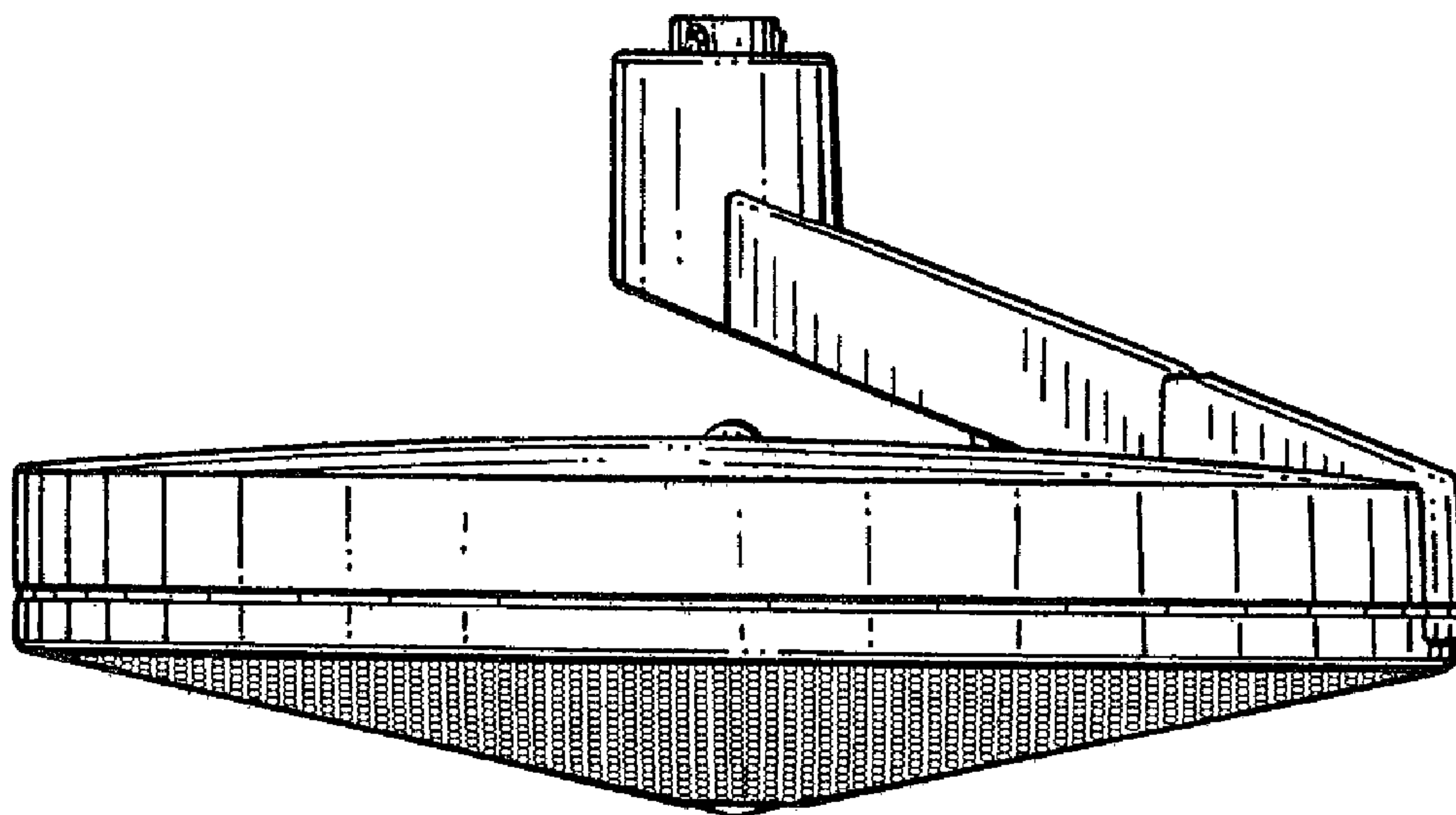


FIG. 3

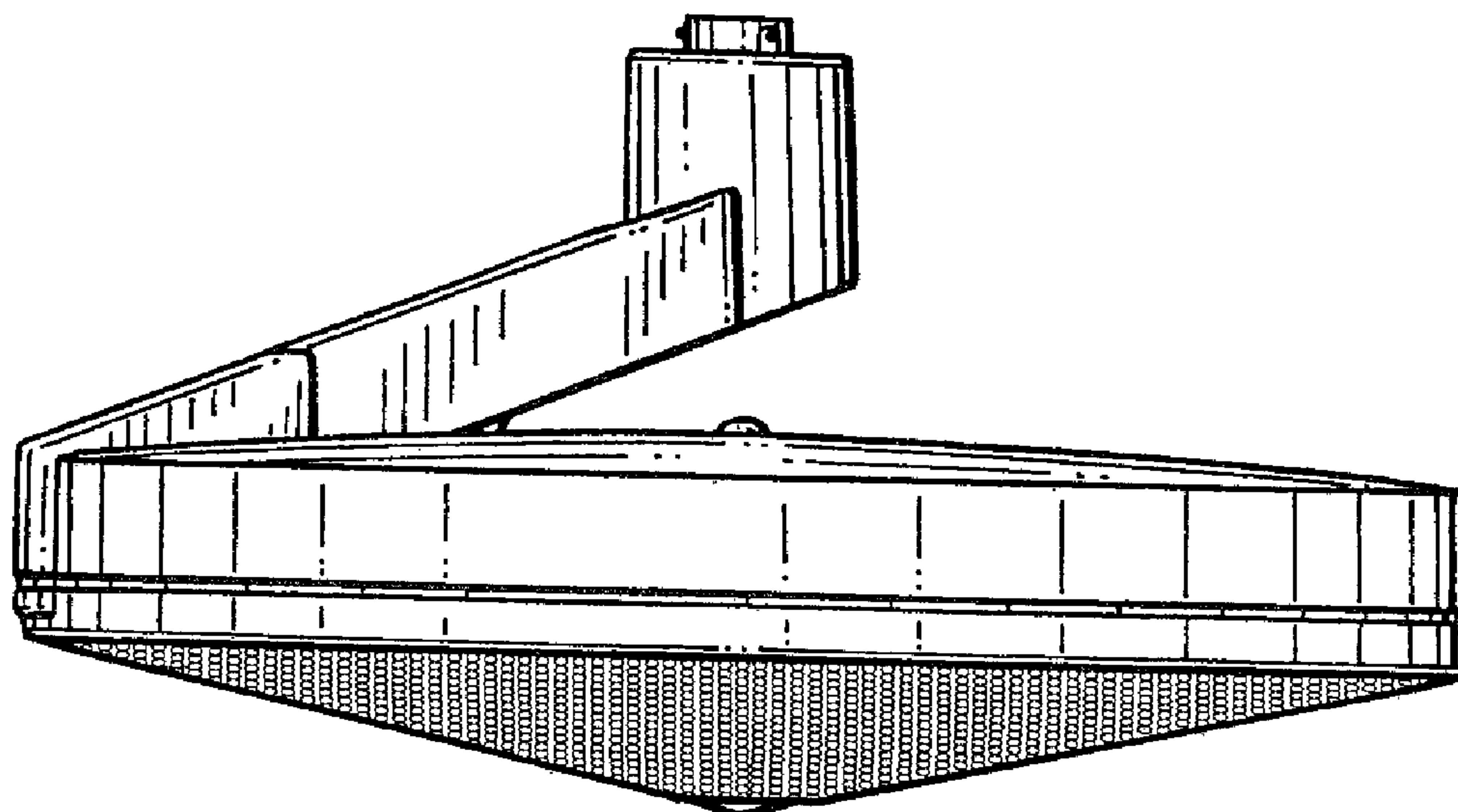


FIG. 4

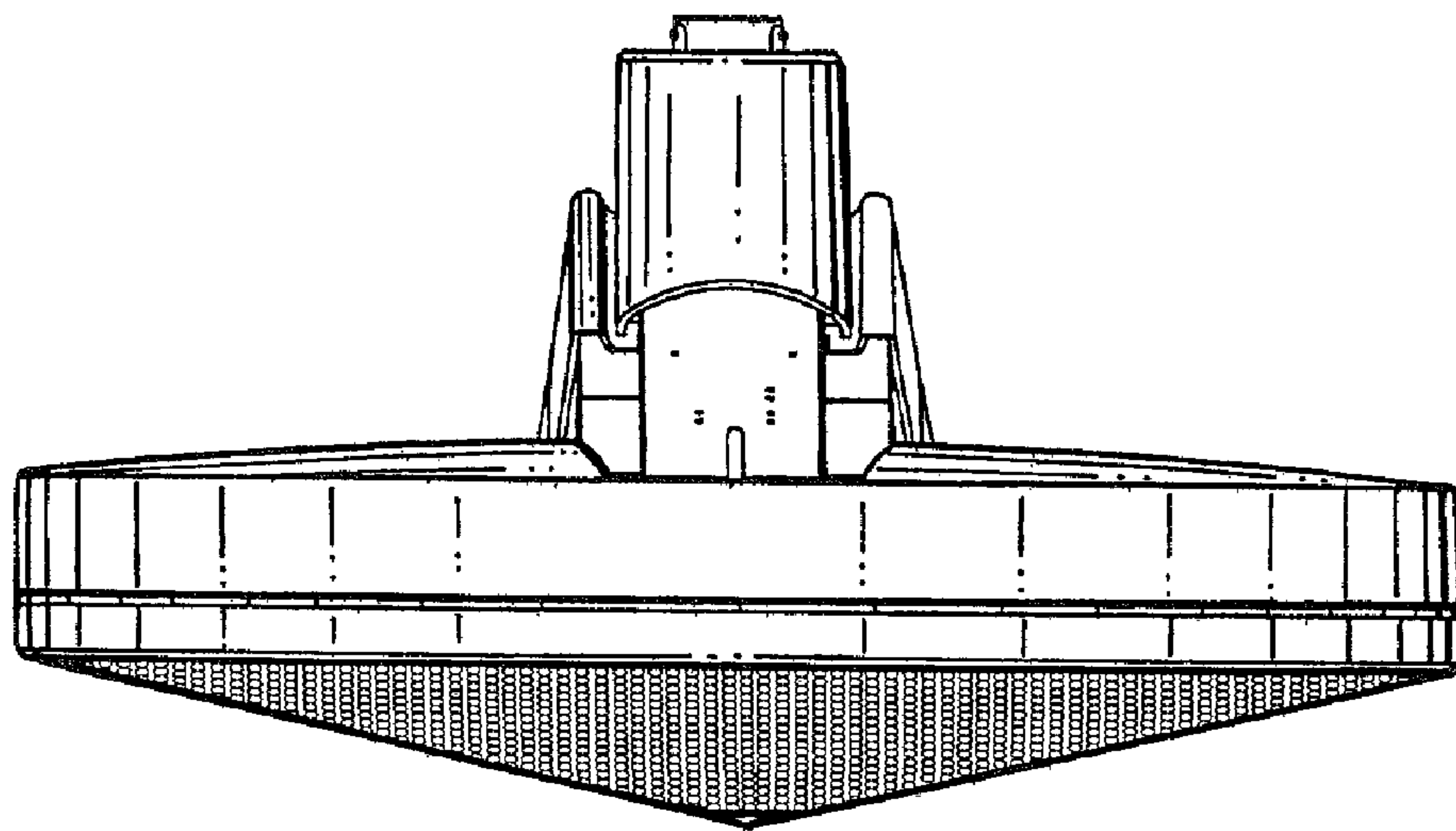


FIG. 5

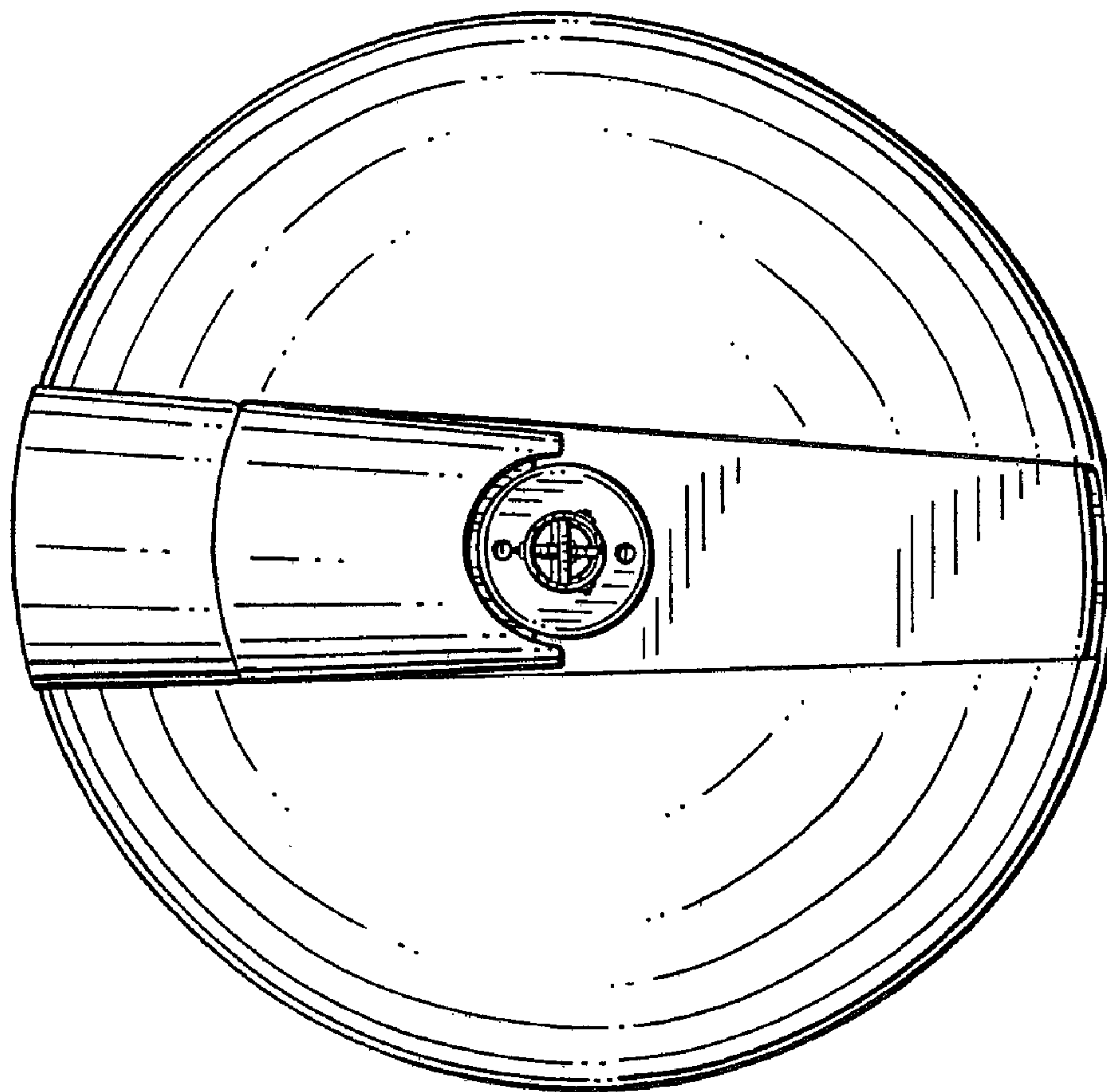


FIG. 6

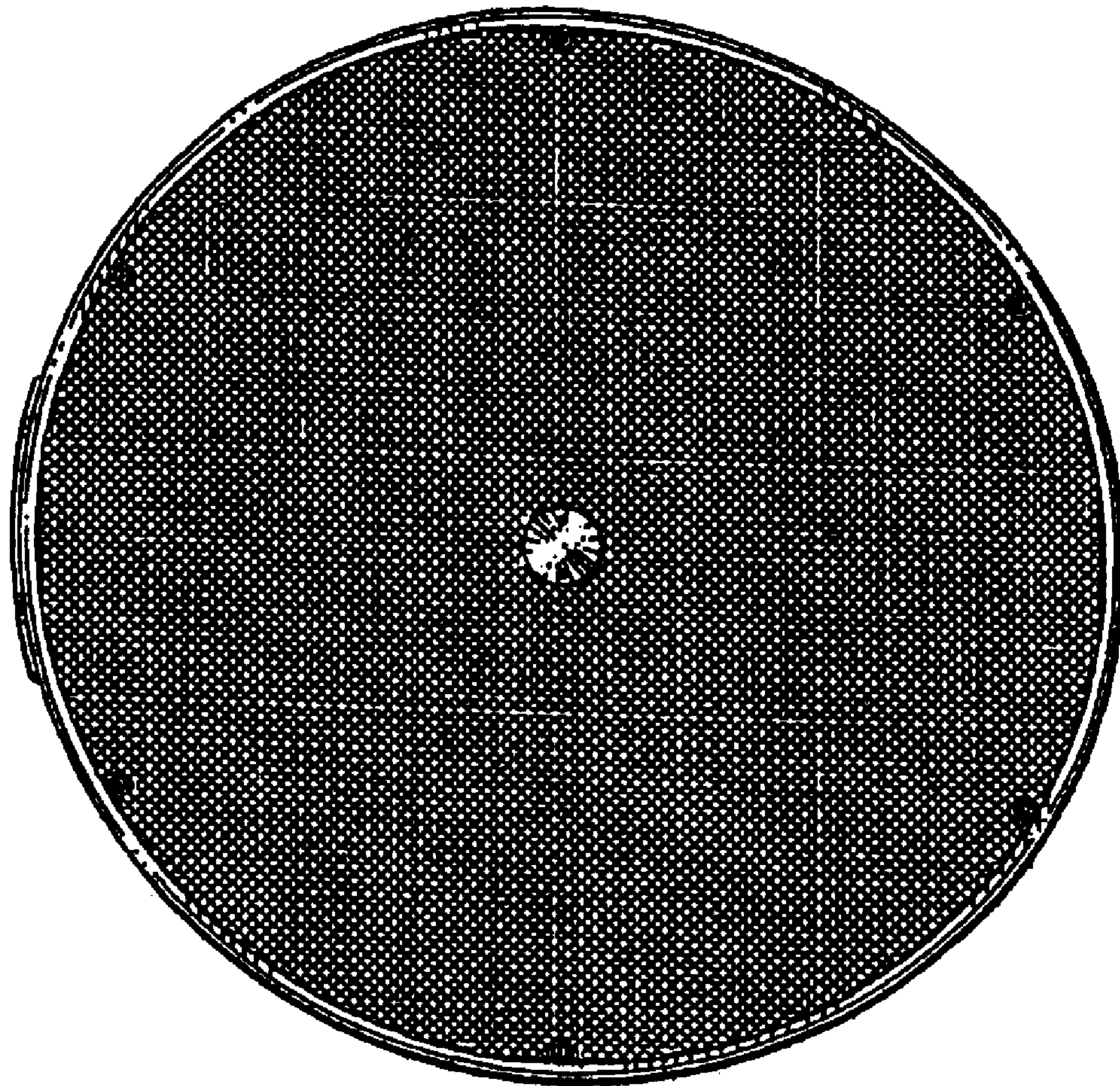


FIG. 7