



US00D567217S

(12) **United States Design Patent**
Kamo et al.

(10) **Patent No.:** **US D567,217 S**
(45) **Date of Patent:** **** Apr. 22, 2008**

(54) **EARPHONE**

(75) Inventors: **Shotaro Kamo**, Shizuoka (JP);
Mitsuhiro Masuda, Shizuoka (JP); **Eiji Matsuyama**, Shizuoka (JP)

(73) Assignee: **Star Micronics Co., Ltd.**, Shizuoka (JP)

(**) Term: **14 Years**

(21) Appl. No.: **29/270,571**

(22) Filed: **Dec. 28, 2006**

(30) **Foreign Application Priority Data**

Aug. 18, 2006 (JP) 2006-021903

(51) **LOC (8) Cl.** **14-01**

(52) **U.S. Cl.** **D14/205; D14/223**

(58) **Field of Classification Search** D14/205,
D14/206, 223, 142, 188, 240, 249; D24/106,
D24/174; 128/864, 865, 866; 379/420.04,
379/430; 381/381, 370, 151, 173, 322, 324,
381/325, 328, 338; 181/129-137; 455/349
See application file for complete search history.

(56) **References Cited**

U.S. PATENT DOCUMENTS

2,430,229 A * 11/1947 Kelsey 381/338
D259,279 S * 5/1981 Takeda D24/106
5,373,555 A * 12/1994 Norris et al. 379/430
D457,514 S * 5/2002 Marion et al. D14/223
D468,301 S * 1/2003 Fushimi D14/223

D469,753 S * 2/2003 Andre et al. D14/205
D474,171 S * 5/2003 Suzuki D14/206
D554,627 S * 11/2007 Gondo D14/223
D555,152 S * 11/2007 Wang D14/223

* cited by examiner

Primary Examiner—Paula A. Greene

(74) *Attorney, Agent, or Firm*—Sughrue Mion, PLLC

(57) **CLAIM**

The ornamental design for an earphone, as shown and described.

DESCRIPTION

FIG. 1 is a perspective view of the top, front and left side of an earphone showing our new design;

FIG. 2 is a perspective view of the top, rear and left side thereof;

FIG. 3 is a front elevational view thereof;

FIG. 4 is a rear elevational view thereof;

FIG. 5 is a top plan view thereof;

FIG. 6 is a bottom plan view thereof;

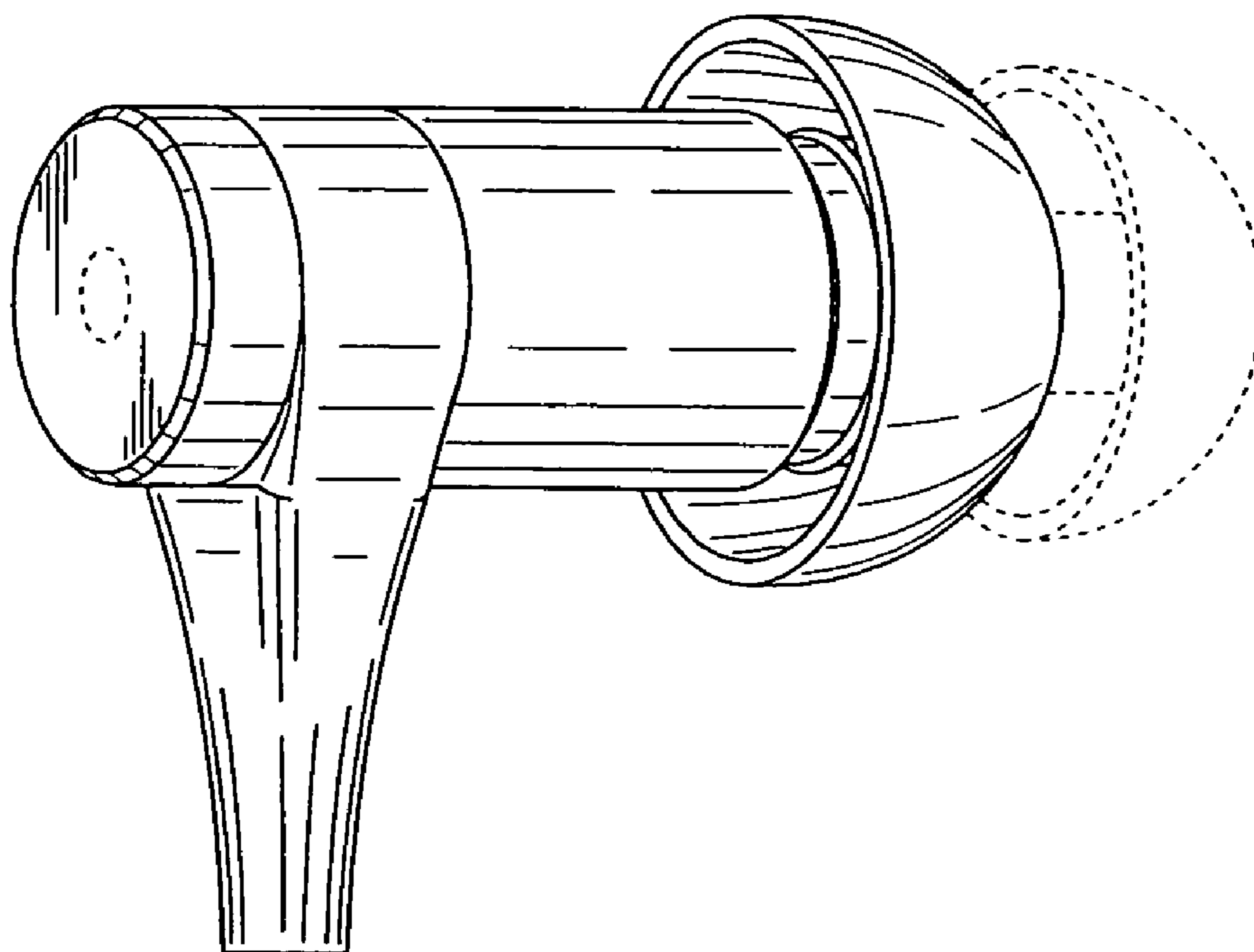
FIG. 7 is a left side elevational thereof;

FIG. 8 is a right side elevational view thereof; and,

FIG. 9 is a cross-sectional view thereof along the lines 9—9 in FIG. 3.

The portions shown in broken lines are for illustrative purposes only and form no part of the claimed design.

1 Claim, 5 Drawing Sheets



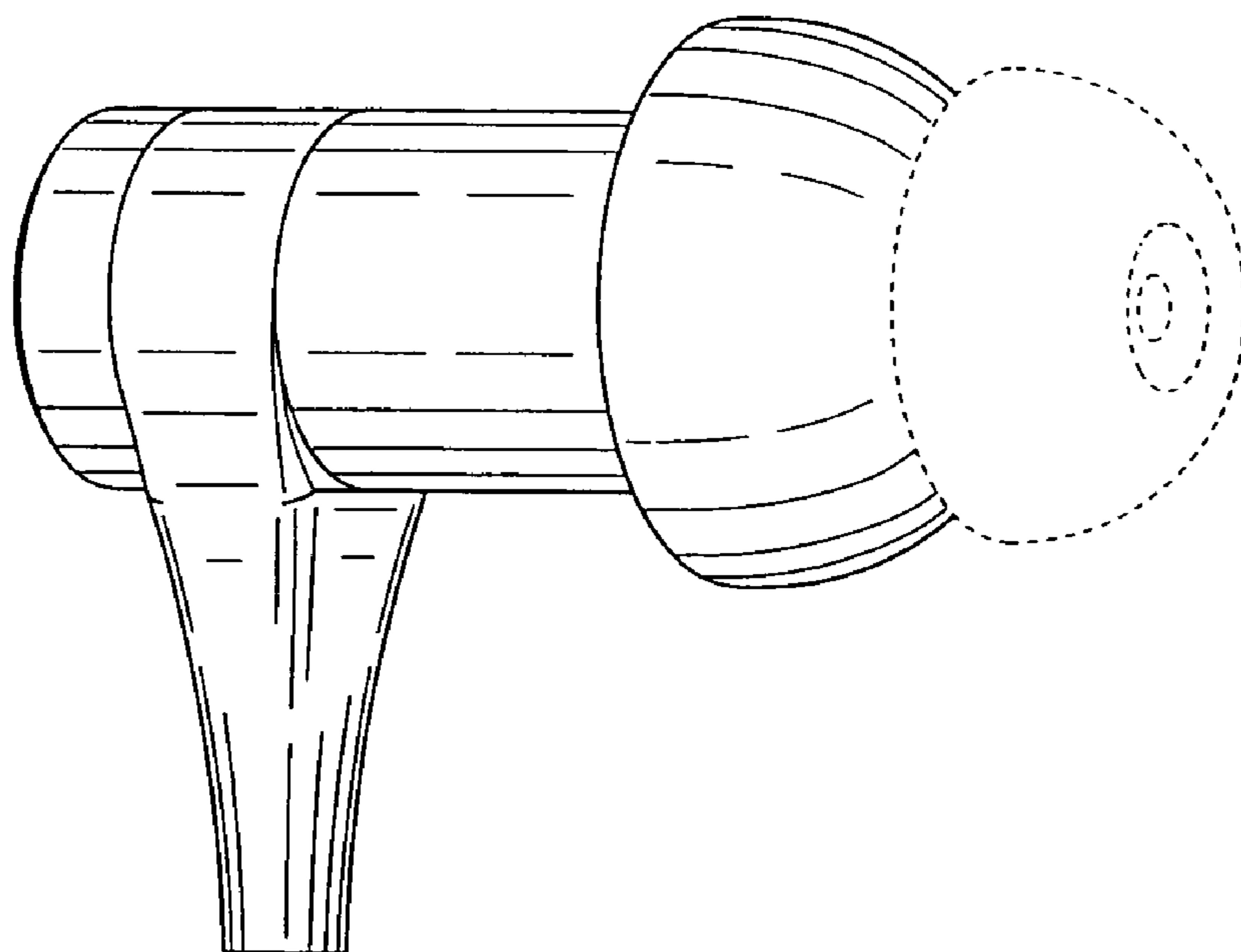


FIG. 1

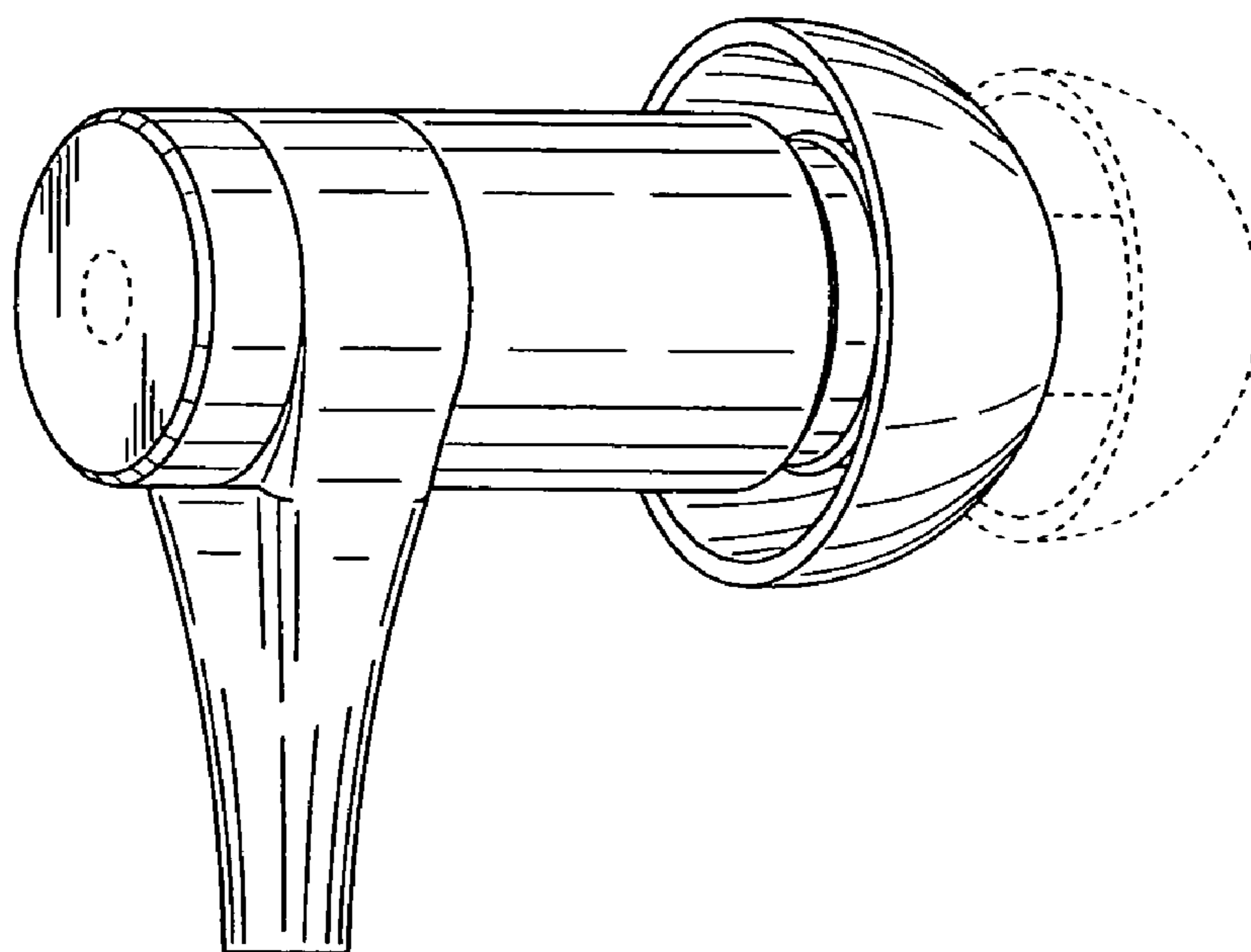


FIG. 2

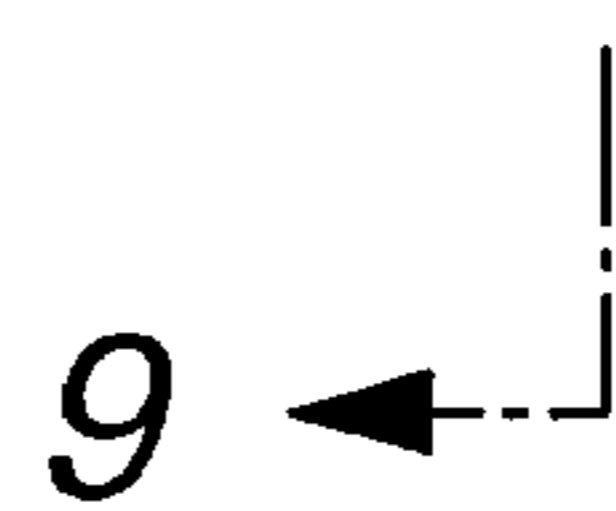
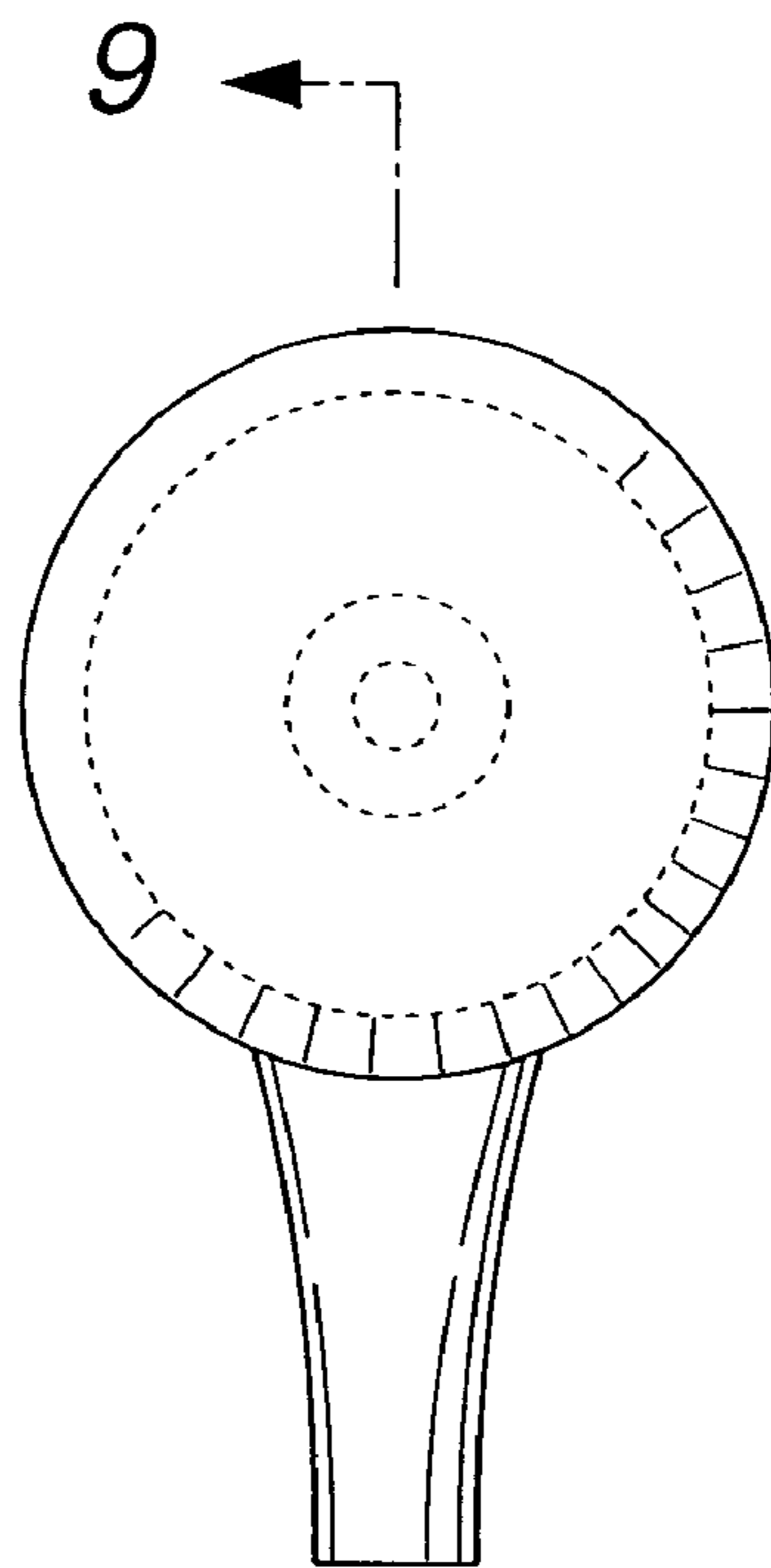


FIG. 3

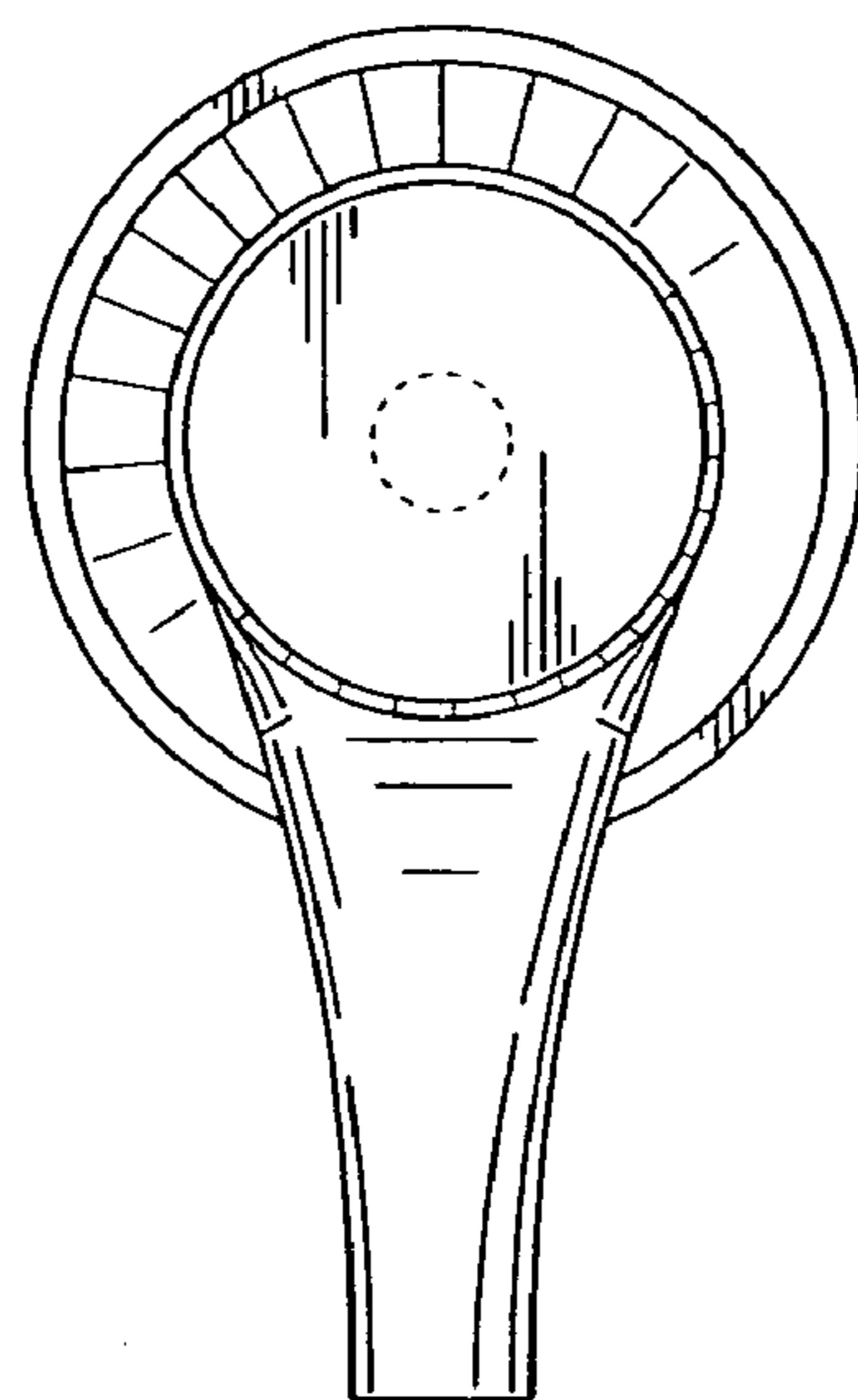


FIG. 4

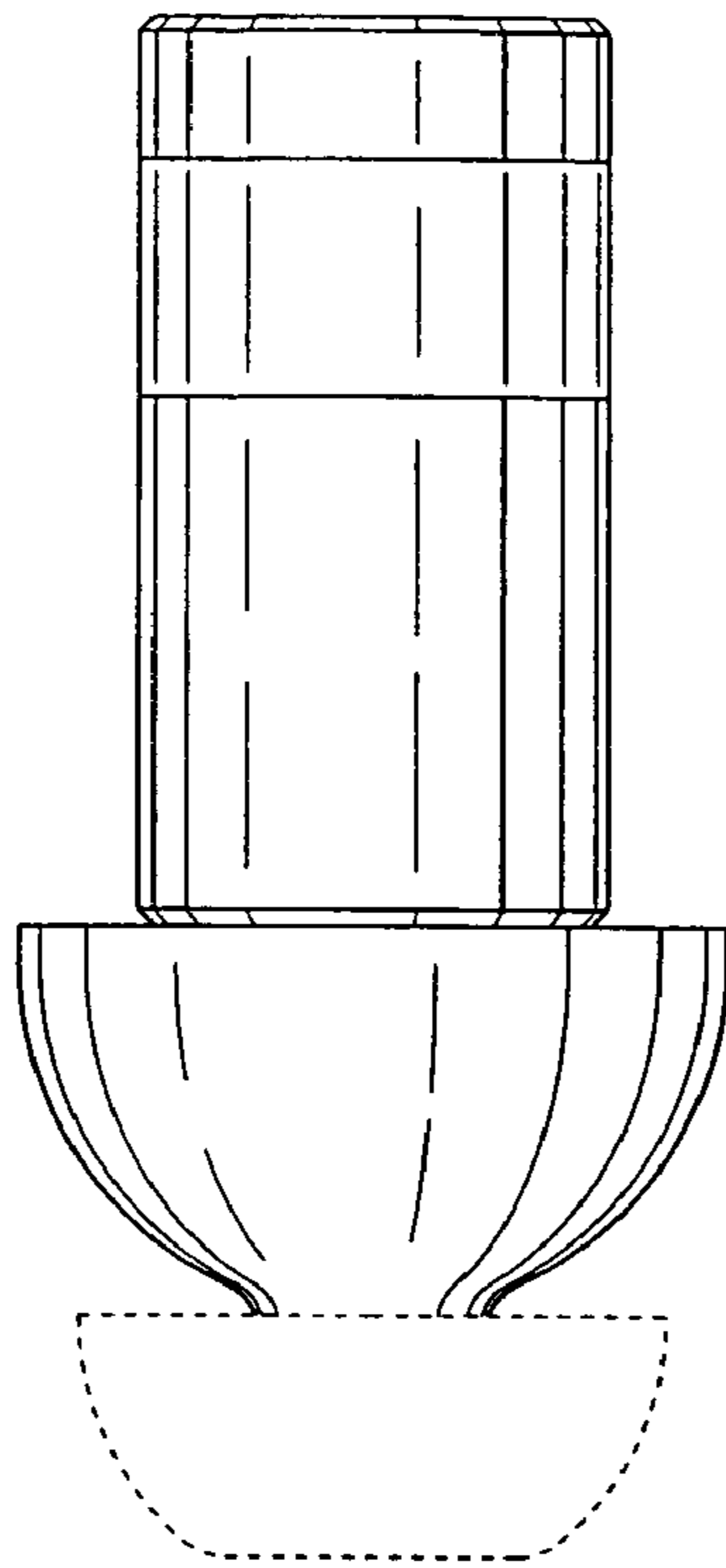


FIG. 5

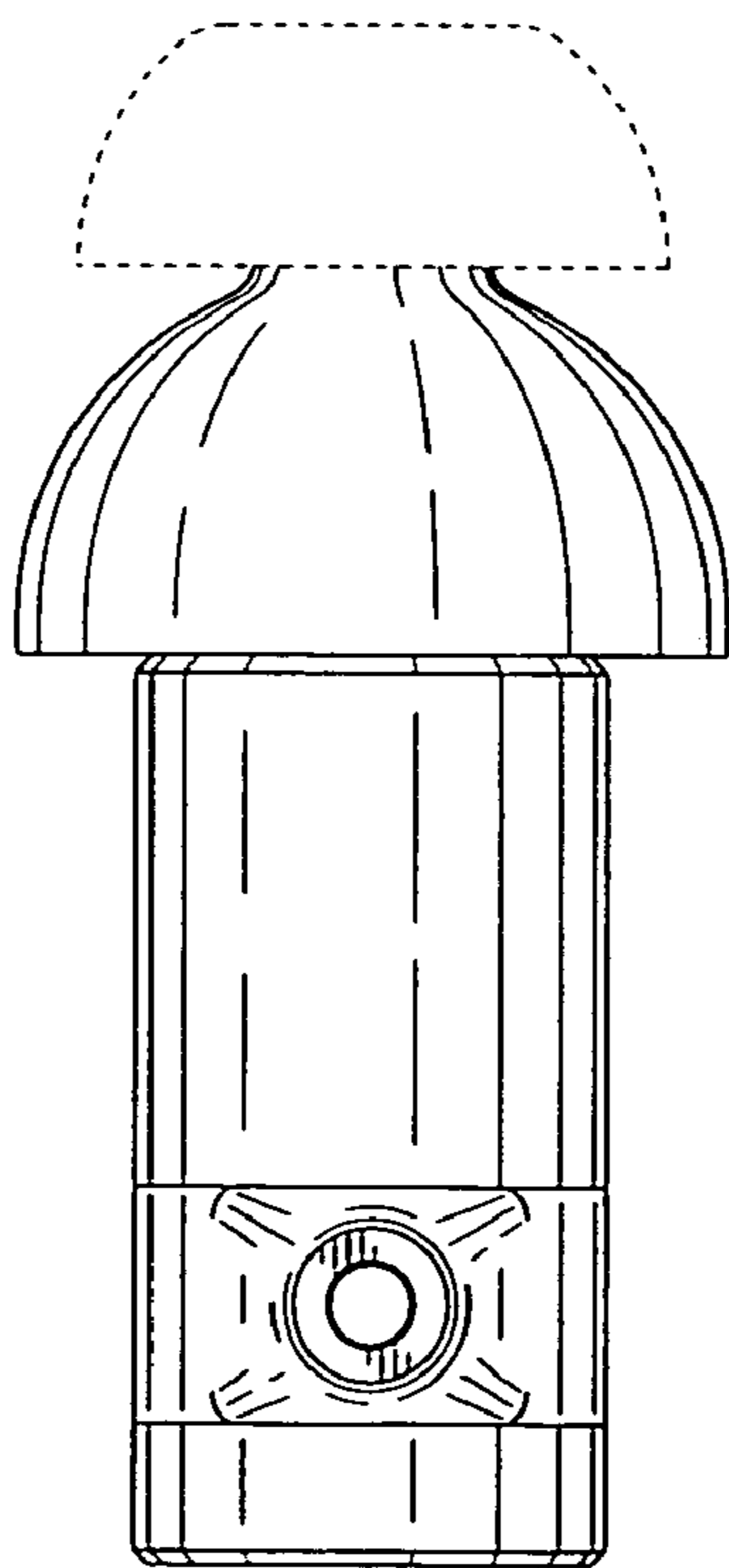


FIG. 6

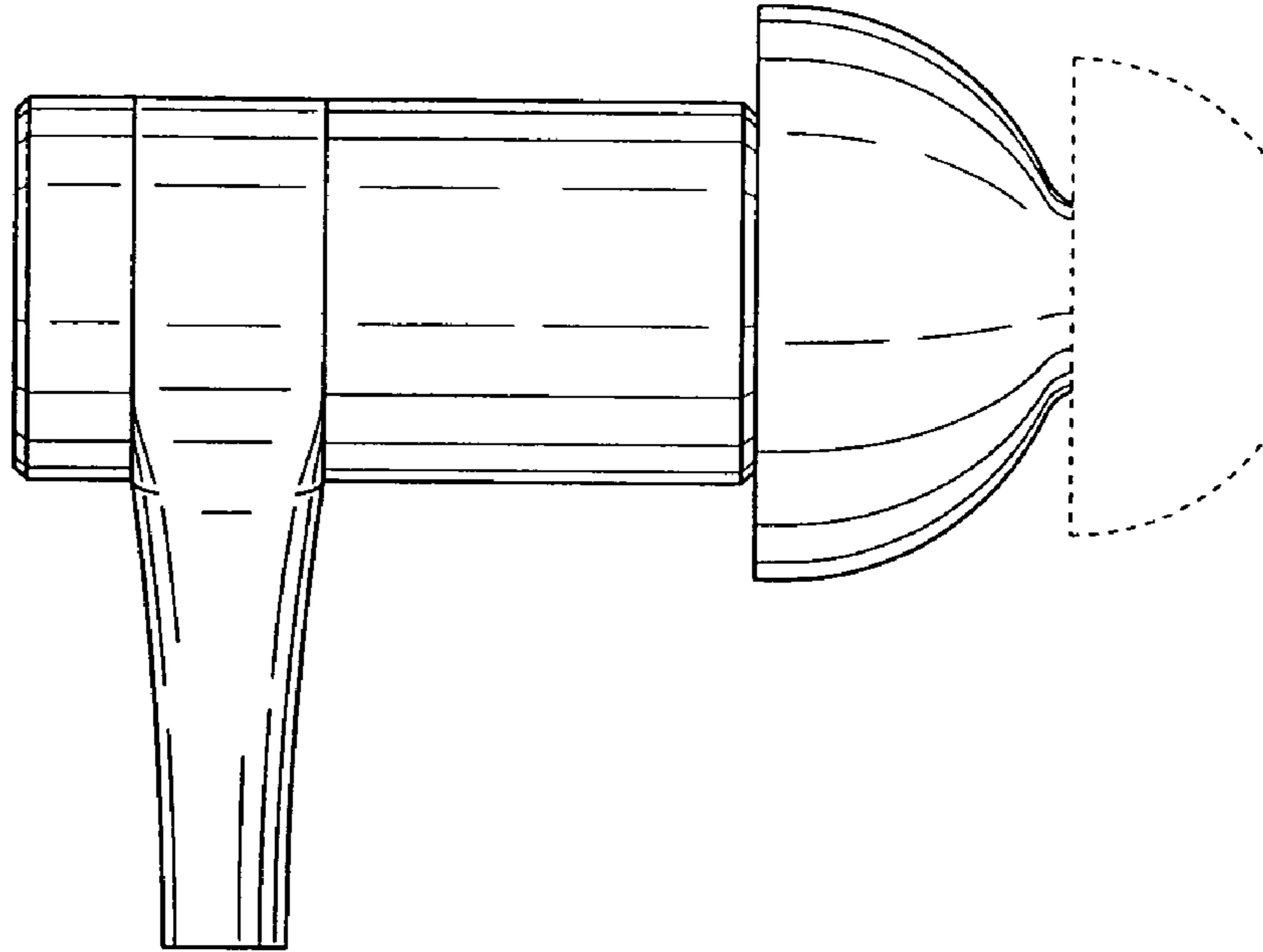


FIG. 7

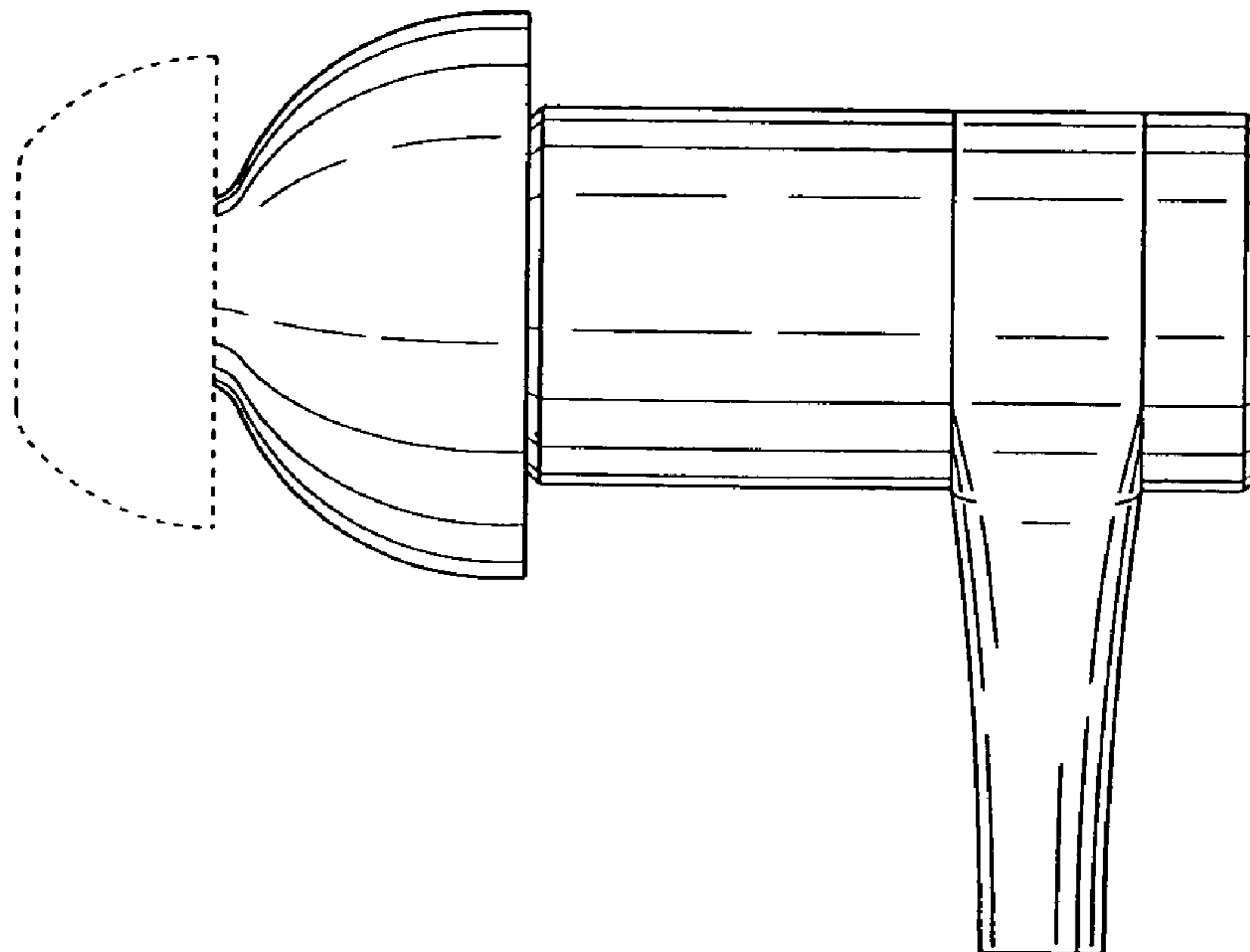


FIG. 8

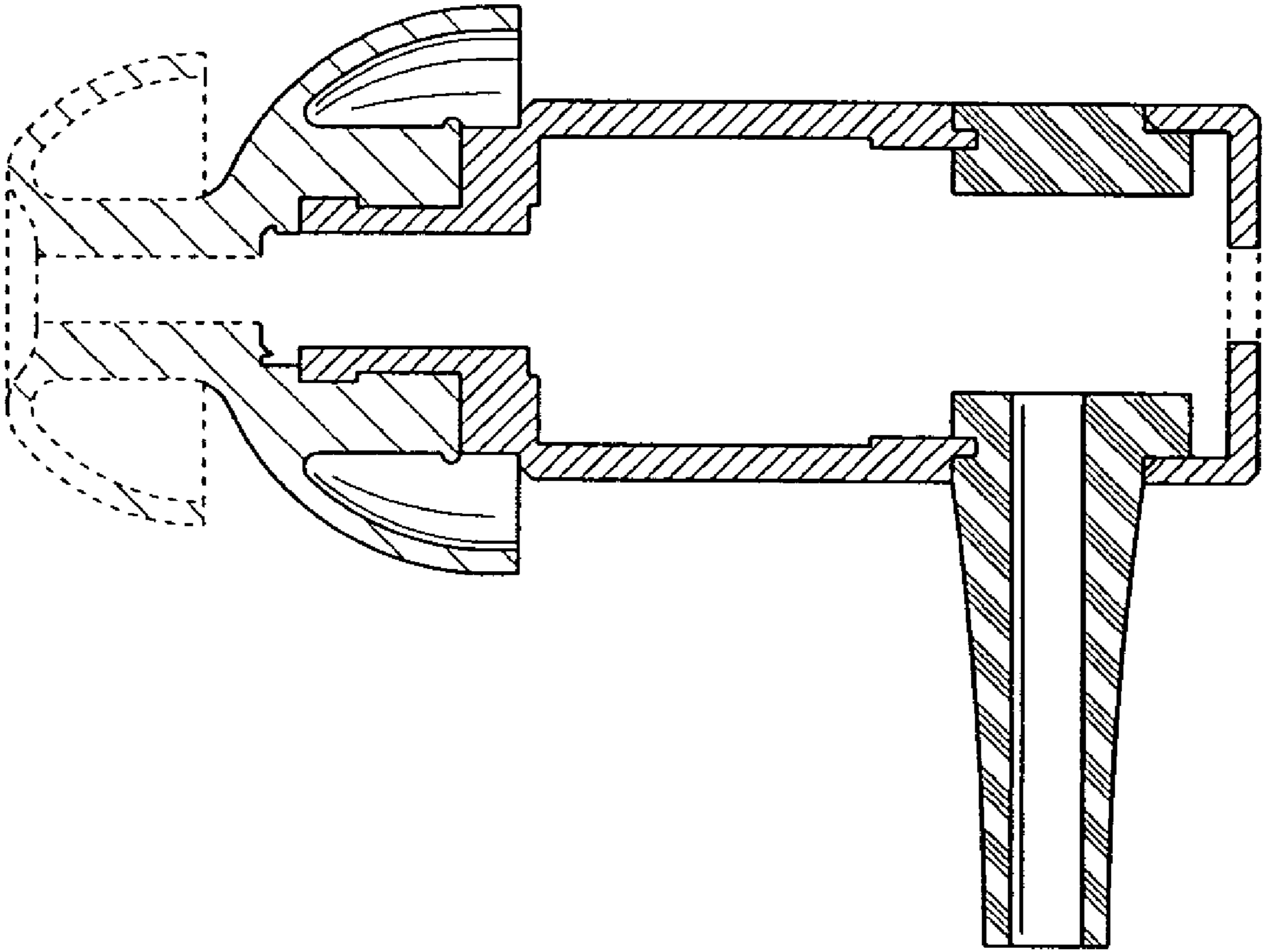


FIG. 9