

US00D567214S

(12) **United States Design Patent** (10) **Patent No.:** **US D567,214 S**
Fynboe et al. (45) **Date of Patent:** **** Apr. 22, 2008**

(54) **LOUDSPEAKER**

WO WO 2005/122637 12/2005

(75) Inventors: **Mads Fynboe**, Cupertino, CA (US);
Edward T. Norcott, Jr., Los Gatos, CA (US)

OTHER PUBLICATIONS

Unruh, et al., "Loudspeaker Transducers with an Alternative Tubular Form Factor," 117th AES Convention, Oct. 2004, San Francisco.

(73) Assignee: **Tymphany Corporation**, San Rafael, CA (US)

* cited by examiner

(**) Term: **14 Years**

Primary Examiner—Nanda Bondade

(21) Appl. No.: **29/251,302**

(74) *Attorney, Agent, or Firm*—David N. Lathrop, Esq.;
Gallagher & Lathrop

(22) Filed: **Jan. 4, 2006**

(57) **CLAIM**

(51) **LOC (8) Cl.** **14-01**

The ornamental design for the loudspeaker, as shown and described.

(52) **U.S. Cl.** **D14/204; D14/215; D9/428**

(58) **Field of Classification Search** D14/204,
D14/209–216, 207, 221, 222; D9/424–426,
D9/428; 181/143–144, 147–148, 150, 157,
181/151, 153; 242/588.3; 381/300–302,
381/306, 333, 345, 361–364, 386–388, 332,
381/336; D6/520

DESCRIPTION

See application file for complete search history.

The present design pertains to an acoustic transducer that may be used as a loudspeaker or may be used with other components in a loudspeaker system.

(56) **References Cited**

FIG. 1 is an upper-left front perspective view of a loudspeaker;

U.S. PATENT DOCUMENTS

FIG. 2 is a front elevational view;

3,636,278	A	1/1972	Heil	
4,039,044	A	8/1977	Heil	
D276,590	S *	12/1984	Lobel	D9/426
D283,789	S *	5/1986	Kodousek et al.	D9/425
D394,863	S *	6/1998	Saer	D14/215
D403,575	S *	1/1999	Milliorn	D6/520
5,950,959	A *	9/1999	Milliorn	242/588.3
D478,062	S *	8/2003	Stephens	D14/207
6,973,994	B2 *	12/2005	Mackin et al.	181/156

FIG. 3 is a right side elevational view with the left side elevational view being a mirror image thereof; and,

FIG. 4 is a top plan view with the bottom plan view being a mirror image thereof.

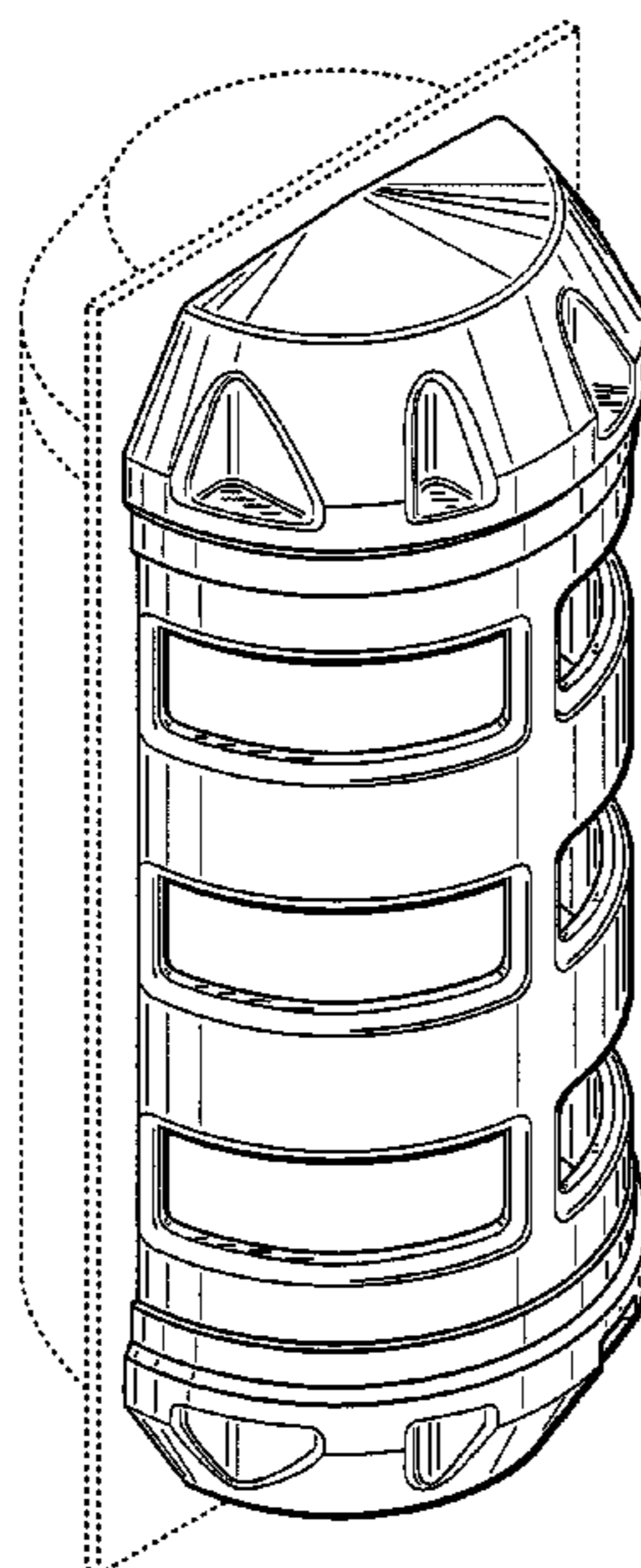
FOREIGN PATENT DOCUMENTS

The undisclosed rear view forms no part of the claimed design.

EP 0 771 133 5/1997

The broken line showing on the drawing disclosure is for illustrative purposes only and forms no part of the claimed design.

1 Claim, 2 Drawing Sheets



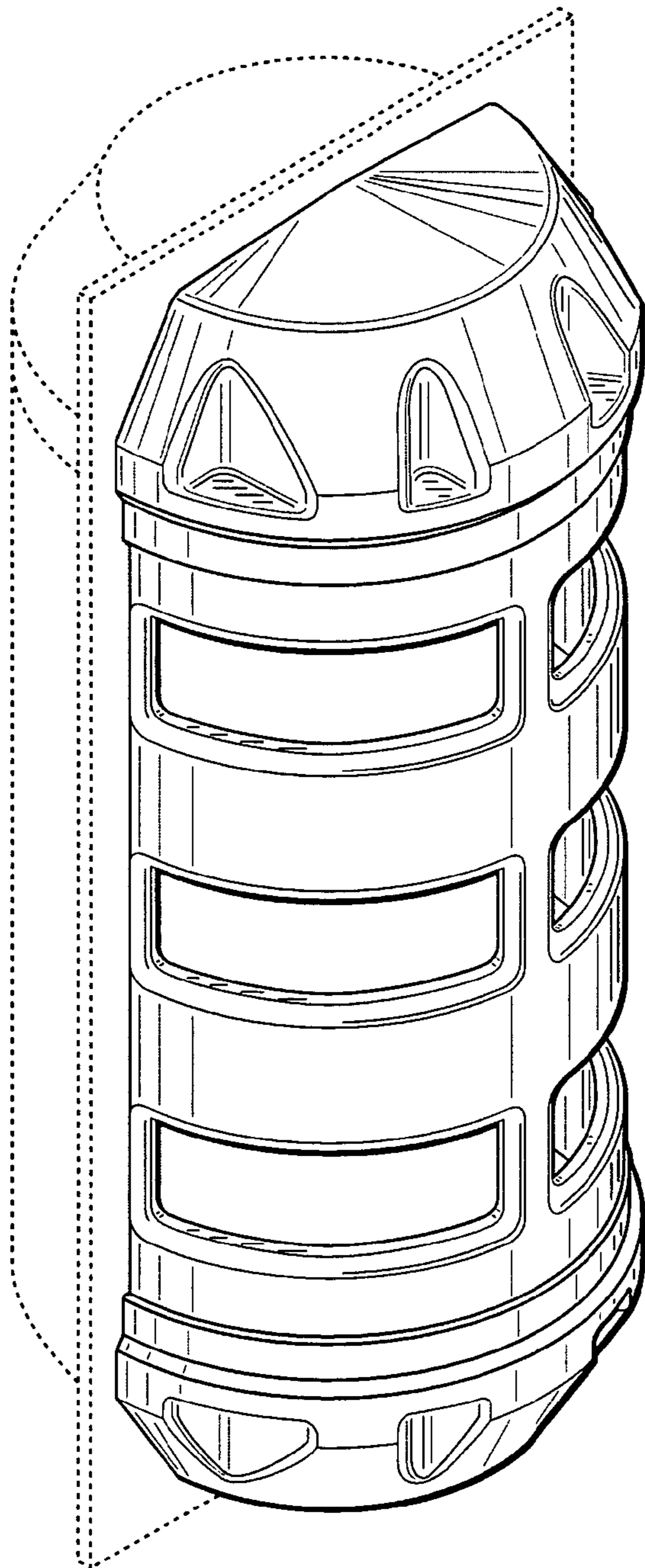


FIG. 1

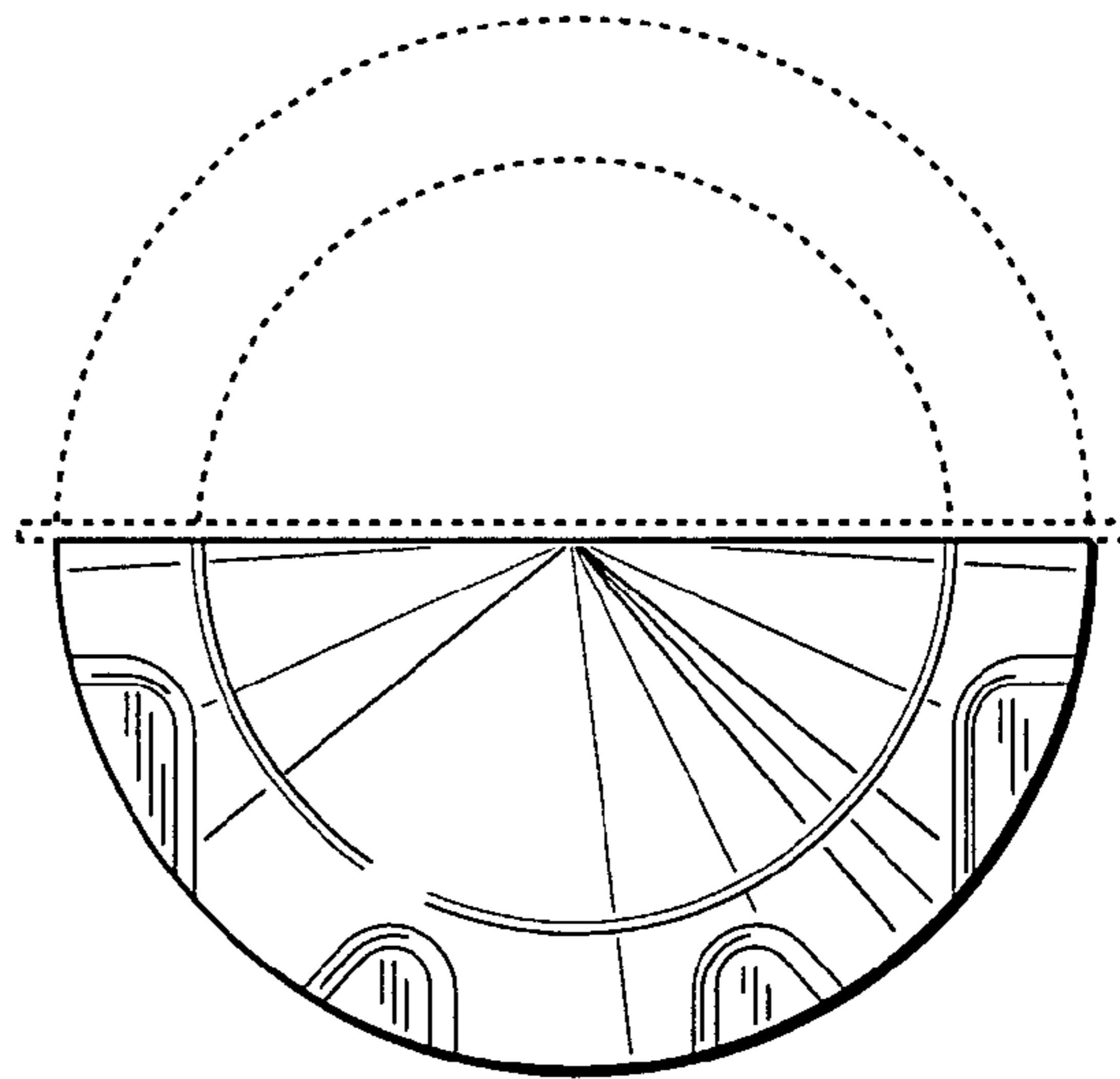


FIG. 4

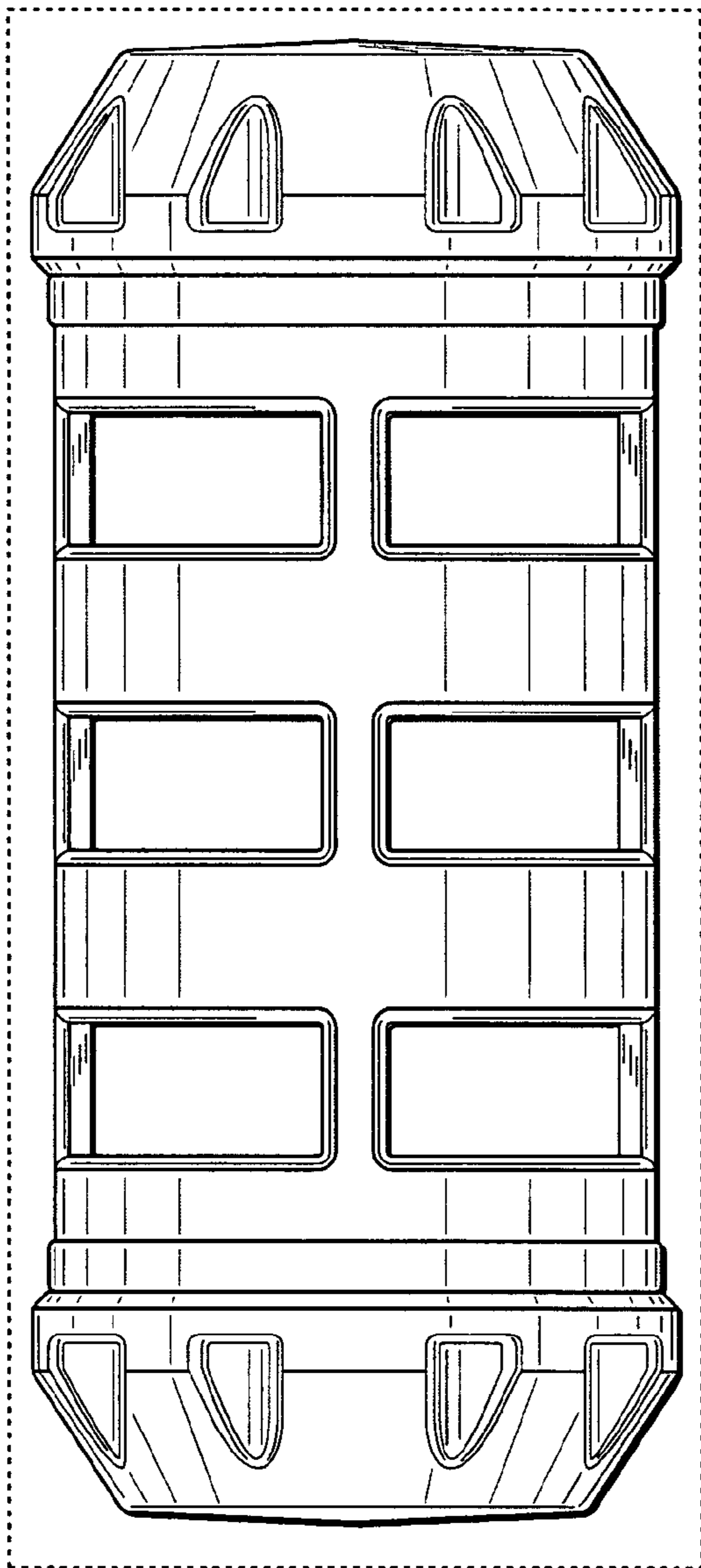


FIG. 2

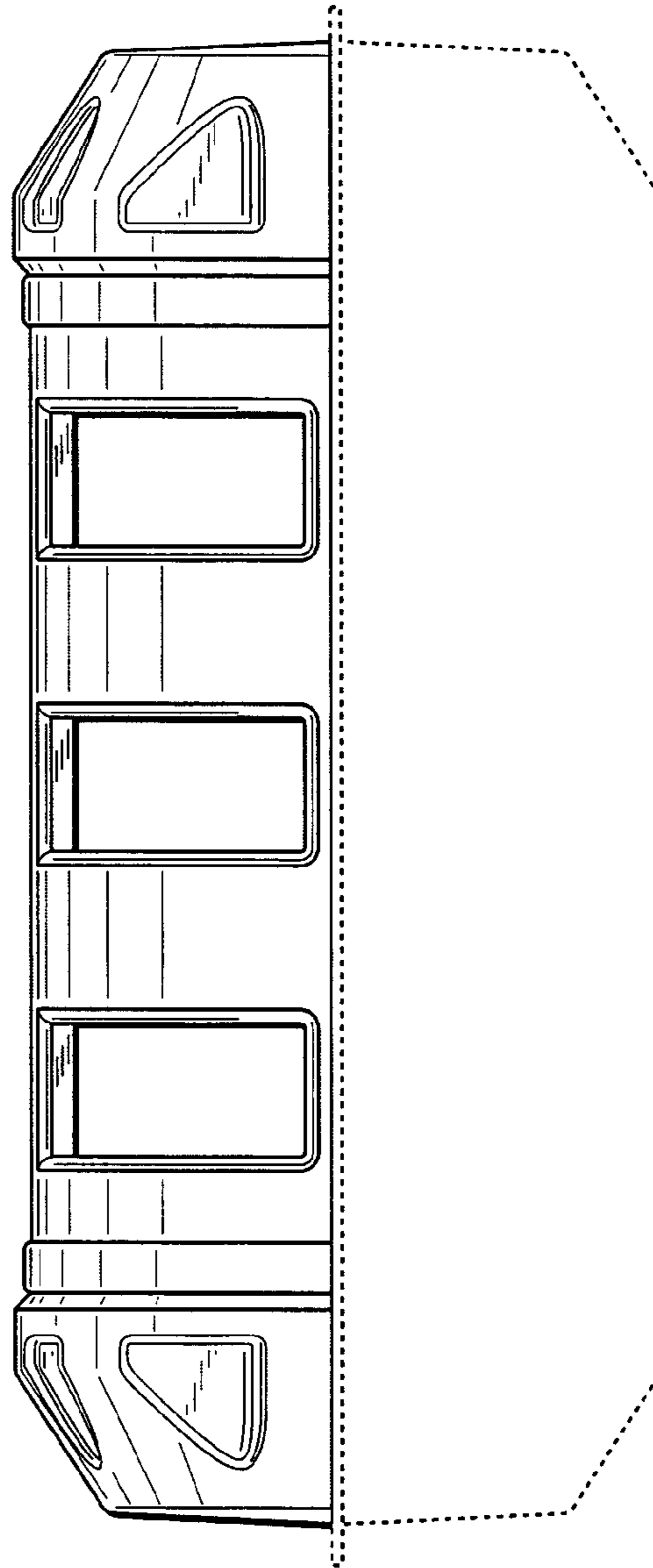


FIG. 3