

US00D567212S

(12) **United States Design Patent** (10) **Patent No.:** **US D567,212 S**
Prince et al. (45) **Date of Patent:** **** Apr. 22, 2008**

(54) **LOUDSPEAKER**

WO WO 2005/122637 12/2005

(75) Inventors: **David J. Prince**, Villa Park, IL (US);
Edward T. Norcott, Jr., Los Gatos, CA (US)

OTHER PUBLICATIONS

Unruh, et al., "Loudspeaker Transducers with an Alternative Tubular Form Factor," 117th AES Convention, Oct. 2004, San Francisco.

(73) Assignee: **Tymphany Corporation**, San Rafael, CA (US)

* cited by examiner

(**) Term: **14 Years**

Primary Examiner—Nanda Bondade

(21) Appl. No.: **29/251,300**

(74) *Attorney, Agent, or Firm*—David N. Lathrop, Esq.;
Gallagher & Lathrop

(22) Filed: **Jan. 4, 2006**

(57) **CLAIM**

(51) **LOC (8) Cl.** **14-01**

The ornamental design for the loudspeaker, as shown and described.

(52) **U.S. Cl.** **D14/204**; D14/215; D9/428

(58) **Field of Classification Search** D14/204,
D14/209–216, 207, 221, 222; D9/424–426,
D9/428; 181/143–144, 147–148, 150, 157,
181/151, 153; 242/588.3; 381/300–302,
381/306, 333, 345, 361–364, 386–388, 332,
381/336; D6/520

DESCRIPTION

See application file for complete search history.

The present design pertains to an acoustic transducer that may be used as a loudspeaker or may be used with other components in a loudspeaker system.

(56) **References Cited**

FIG. 1 is an upper-left front perspective view of a loudspeaker;

U.S. PATENT DOCUMENTS

FIG. 2 is a front elevational view;

3,636,278 A	1/1972	Heil	
4,039,044 A	8/1977	Heil	
D276,590 S *	12/1984	Lobel	D9/426
D283,789 S *	5/1986	Kodousek et al.	D9/425
D394,863 S *	6/1998	Saer	D14/215
D403,575 S *	1/1999	Milliorn	D6/520
5,950,959 A *	9/1999	Milliorn	242/588.3
D478,062 S *	8/2003	Stephens	D14/207
6,973,994 B2 *	12/2005	Mackin et al.	181/156

FIG. 3 is a right side elevational view with the left side elevational view being a mirror image thereof; and,

FIG. 4 is a top plan view with the bottom plan view being a mirror image thereof.

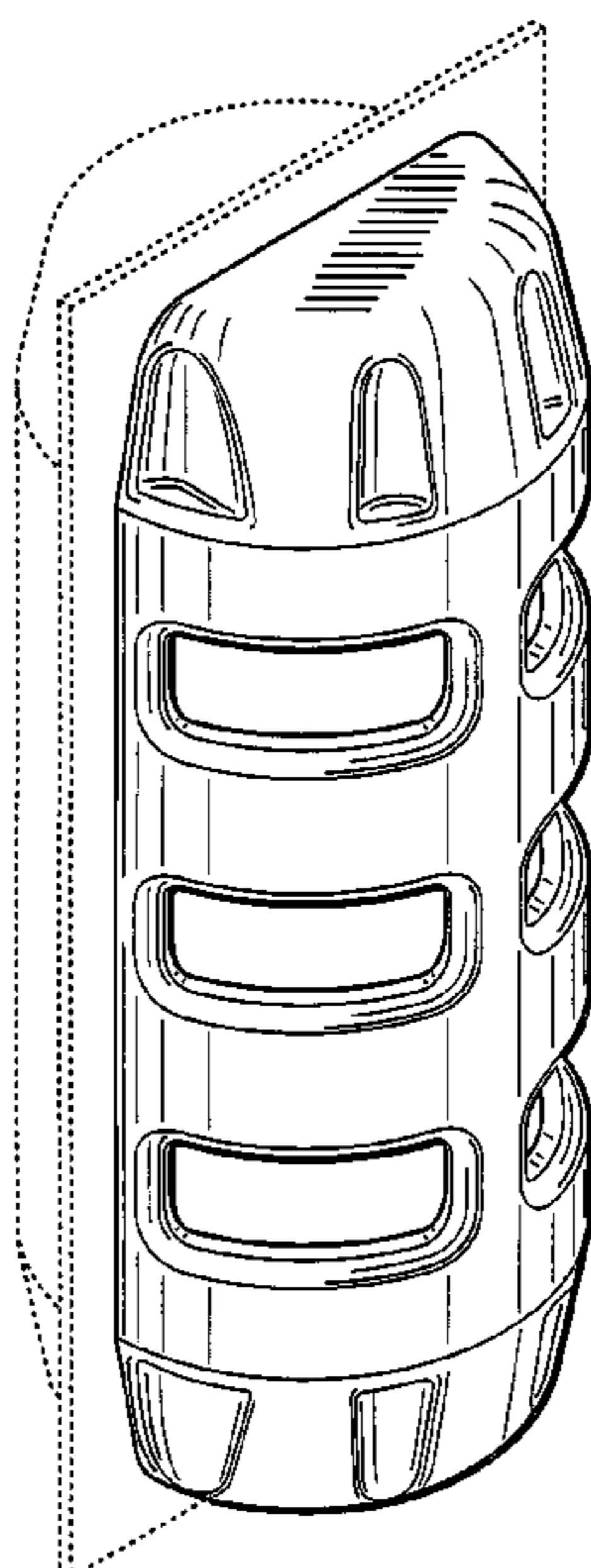
The undisclosed rear view forms no part of the claimed design.

The broken line showing on the drawing disclosure is for illustrative purposes only and forms no part of the claimed design.

FOREIGN PATENT DOCUMENTS

EP 0 771 133 5/1997

1 Claim, 2 Drawing Sheets



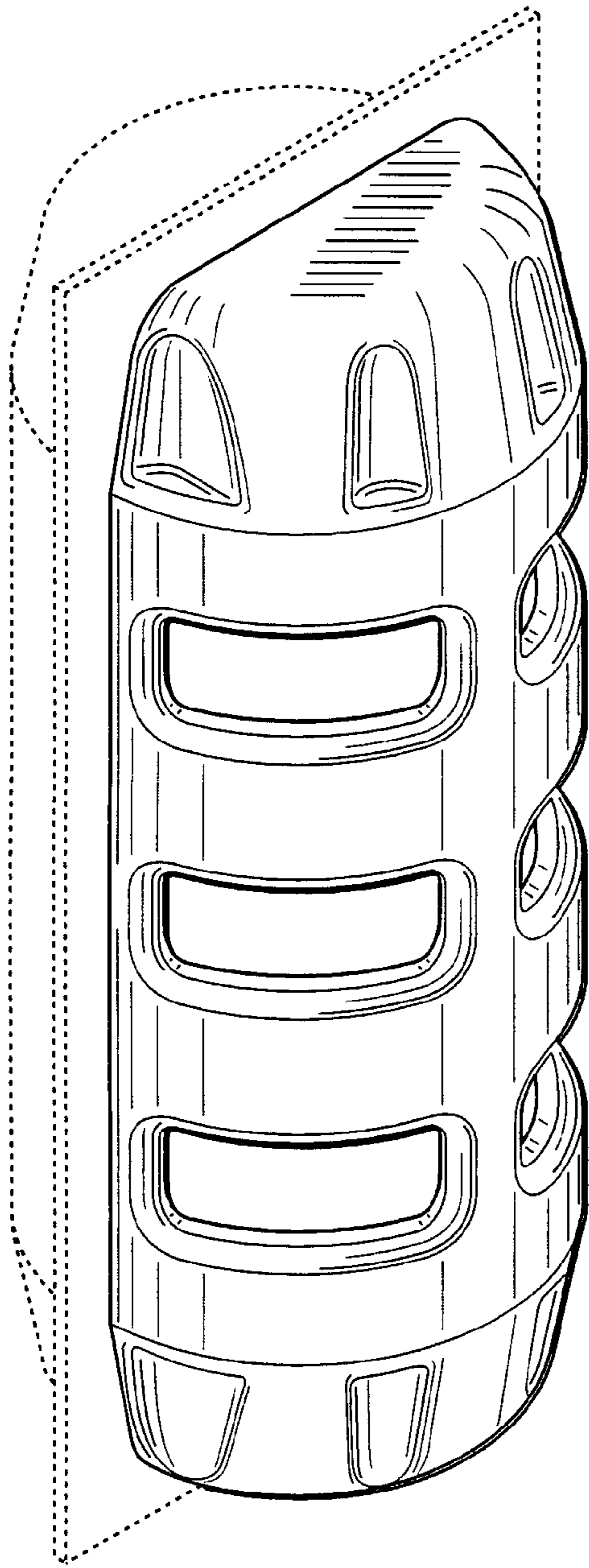


FIG. 1

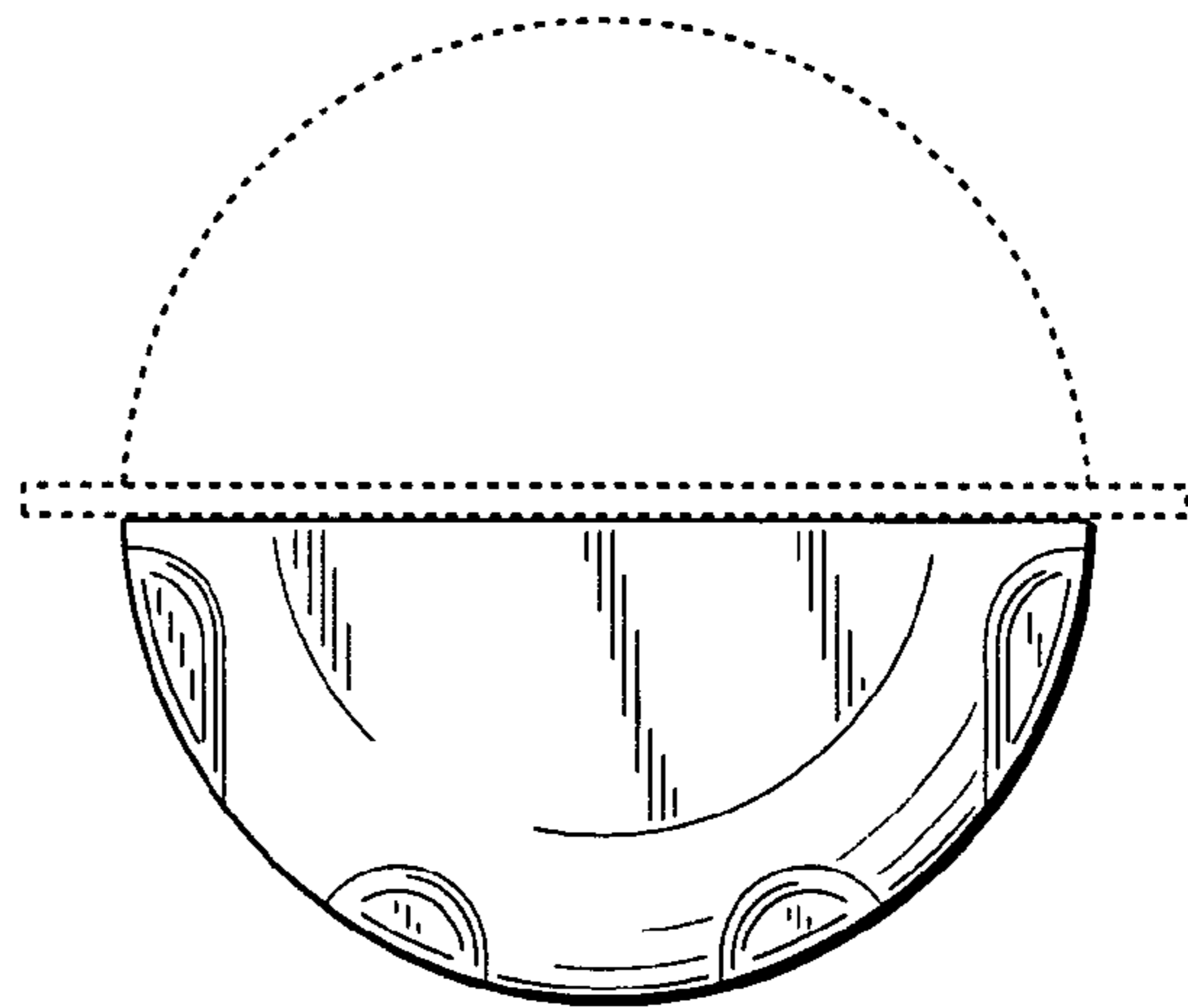


FIG. 4

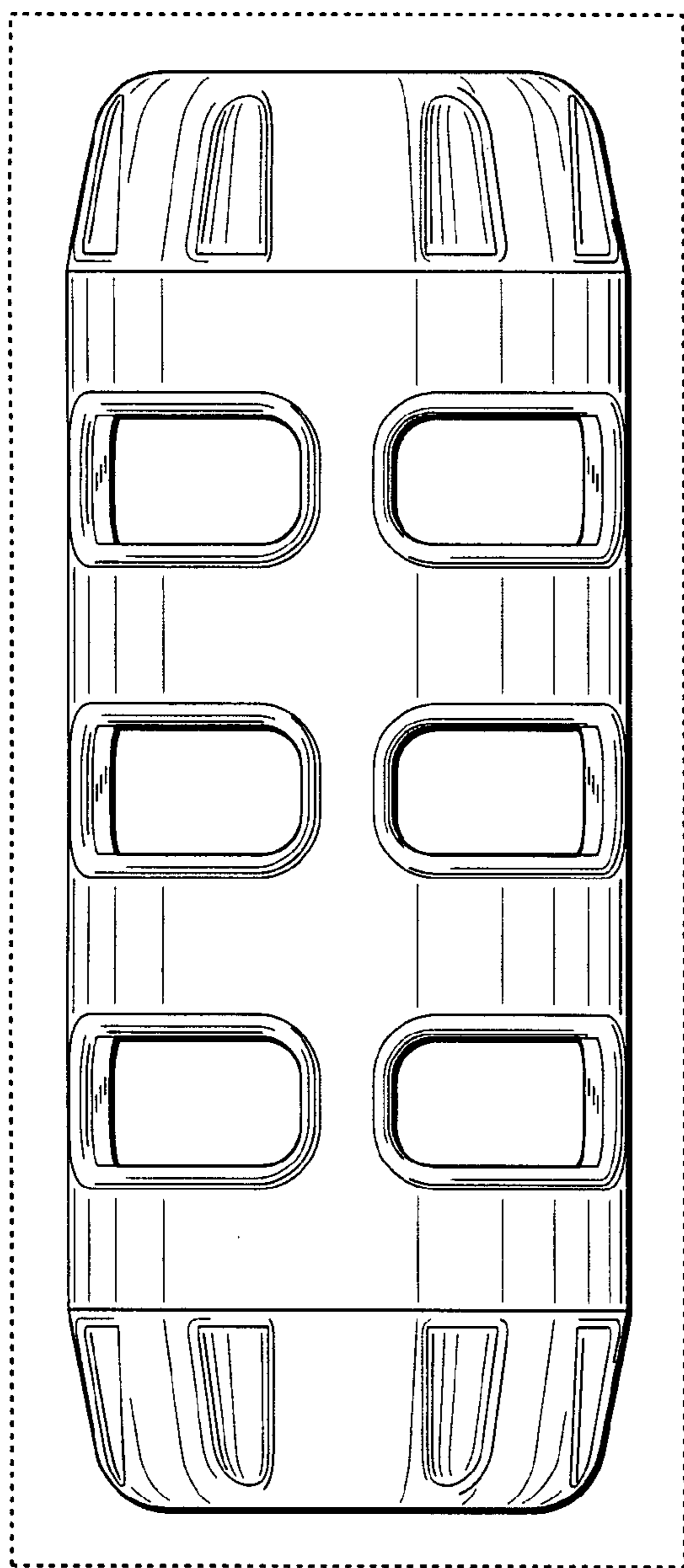


FIG. 2

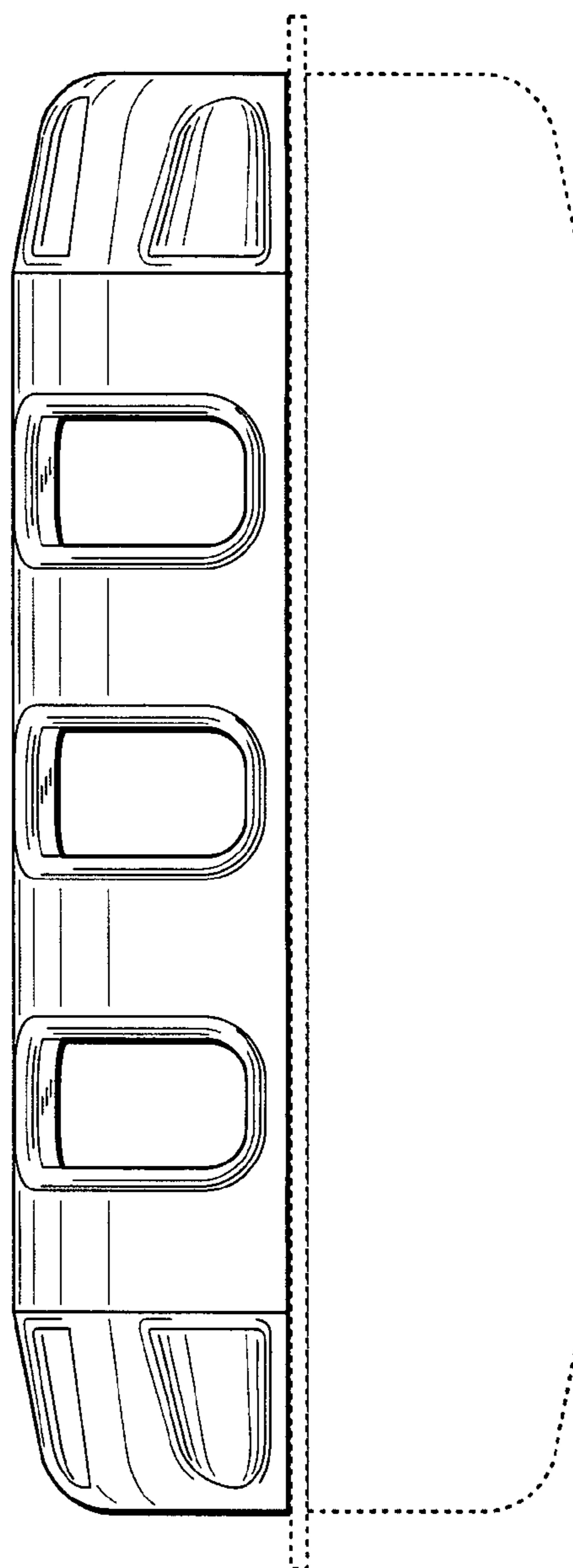


FIG. 3