



US00D567207S

(12) **United States Design Patent**  
**Kim et al.**

(10) **Patent No.:** **US D567,207 S**  
(45) **Date of Patent:** **\*\* Apr. 22, 2008**

- (54) **PORTABLE PHONE**
- (75) Inventors: **Young-Sae Kim**, Palo Alto, CA (US);  
**Chi-Young Ahn**, Seoul (KR);  
**Young-Ju Yeo**, Seoul (KR);  
**Chang-Hwan Hwang**, Goyang-si (KR)
- (73) Assignee: **Samsung Electronics Co., Ltd.**,  
Suwon-Si (KR)

(\*\*) **Term:** **14 Years**

(21) **Appl. No.:** **29/272,350**

(22) **Filed:** **Feb. 7, 2007**

(30) **Foreign Application Priority Data**

Sep. 29, 2006 (KR) ..... 30-2006-0040071

- (51) **LOC (8) Cl.** ..... **14-03**
- (52) **U.S. Cl.** ..... **D14/138**
- (58) **Field of Classification Search** ..... D14/137,  
D14/138, 147, 218, 247-248, 341-347; 455/90.3,  
455/556.1, 556.2, 575.1, 575.3, 575.4; 379/433.01-433.13;  
361/814; 348/14.02

See application file for complete search history.

(56) **References Cited**

**U.S. PATENT DOCUMENTS**

- D379,983 S \* 6/1997 Shindou ..... D14/138
- 6,047,196 A \* 4/2000 Makela et al. .... 455/556.1
- D430,566 S \* 9/2000 Chu et al. .... D14/345
- D476,303 S \* 6/2003 Lee et al. .... D14/138
- D488,154 S \* 4/2004 Lovelady et al. .... D14/345
- D488,452 S \* 4/2004 Chung ..... D14/138
- D488,453 S \* 4/2004 Chang et al. .... D14/138
- D499,088 S \* 11/2004 Sheu ..... D14/247
- D500,758 S \* 1/2005 Widiaman et al. .... D14/247
- D502,701 S \* 3/2005 Takuma ..... D14/345
- D507,551 S \* 7/2005 Kim et al. .... D14/138
- D508,035 S \* 8/2005 Kim et al. .... D14/138
- D508,036 S \* 8/2005 Wada ..... D14/138
- D525,224 S \* 7/2006 Pitt et al. .... D14/138
- D529,023 S \* 9/2006 Burns et al. .... D14/247
- D535,281 S \* 1/2007 Yang ..... D14/167
- D536,320 S \* 2/2007 Michaels ..... D14/138

- D536,329 S \* 2/2007 Lee ..... D14/156
- D543,172 S \* 5/2007 Lee et al. .... D14/138
- D548,212 S \* 8/2007 Lee ..... D14/138
- 7,286,861 B2 \* 10/2007 Woo ..... 455/575.3
- 2001/0011029 A1 \* 8/2001 Iwabuchi et al. .... 455/566
- 2004/0203535 A1 \* 10/2004 Kim et al. .... 455/90.3
- 2005/0245295 A1 \* 11/2005 Lee et al. .... 455/575.1
- 2005/0245296 A1 \* 11/2005 Hong et al. .... 455/575.3
- 2006/0182272 A1 \* 8/2006 Nurmi et al. .... 379/433.13

**OTHER PUBLICATIONS**

Samsung X400, announced 2<sup>nd</sup> quarter 2003, [online], [retrieved on Dec. 13, 2007]. Retrieved from Internet ,<URL: <http://www.gsmarena.com>>.\*

Samsung A110, announced 2000, [online], [retrieved on Dec. 13, 2007]. Retrieved from Internet ,<URL: <http://www.gsmarena.com>>.\*

Sony Ericsson W380, announced Nov. 2007, [online], [retrieved on Dec. 13, 2007]. Retrieved from Internet ,<URL: <http://www.gsmarena.com>>.\*

\* cited by examiner

*Primary Examiner*—Jeffrey Asch

*Assistant Examiner*—Bridget L Eland

(74) *Attorney, Agent, or Firm*—Staas & Halsey LLP

(57) **CLAIM**

The ornamental design for a portable phone, as shown and described.

**DESCRIPTION**

FIG. 1 is a perspective view of a portable phone;

FIG. 2 is a front view of the portable phone of FIG. 1;

FIG. 3 is a rear view of the portable phone of FIG. 1;

FIG. 4 is a left-side view of the portable phone of FIG. 1;

FIG. 5 is a right-side view of the portable phone of FIG. 1;

FIG. 6 is a top plan view of the portable phone of FIG. 1;

FIG. 7 is a bottom plan view of the portable phone of FIG. 1; and,

FIG. 8 is a front open view of the portable phone of FIG. 1.

**1 Claim, 5 Drawing Sheets**

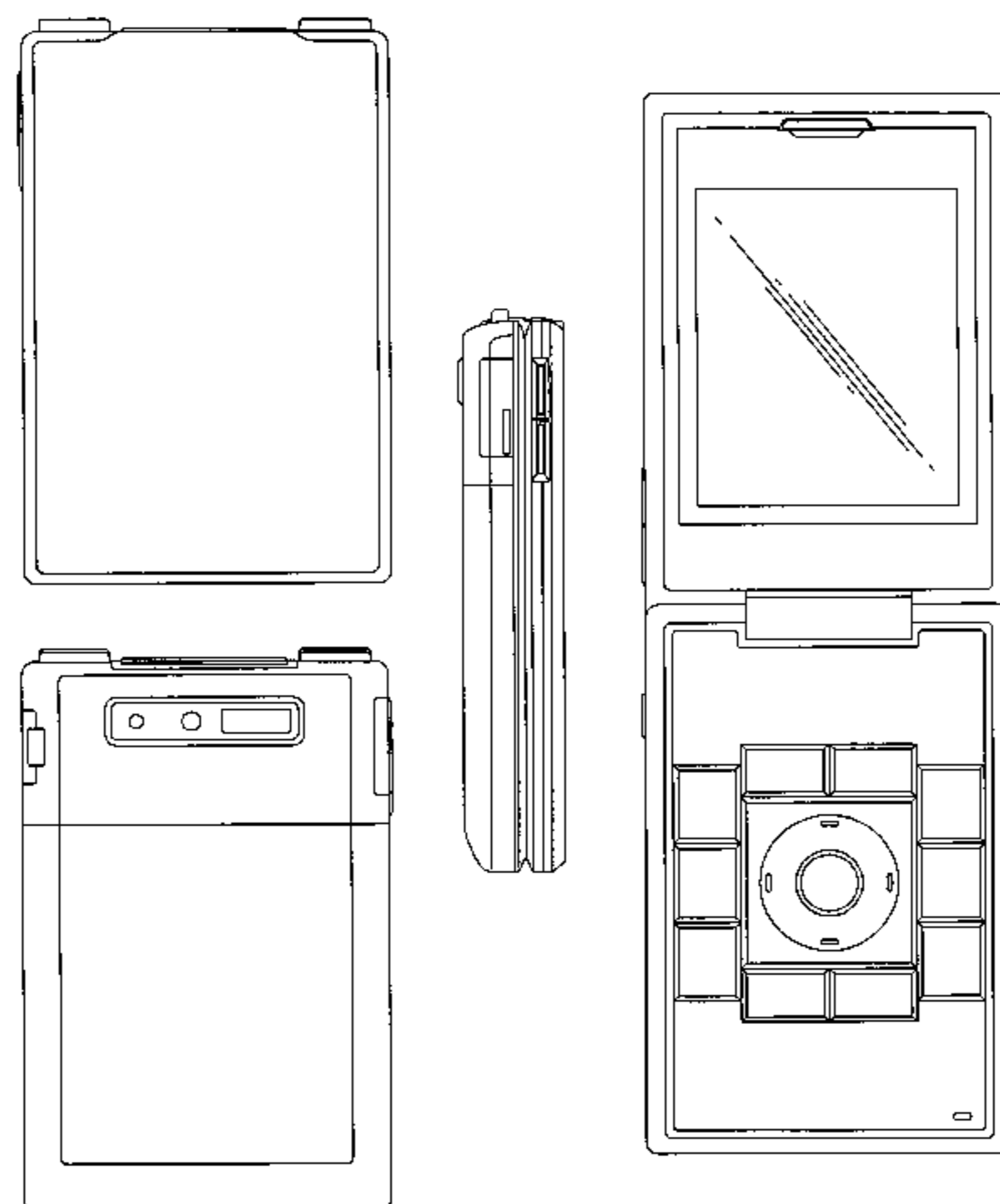
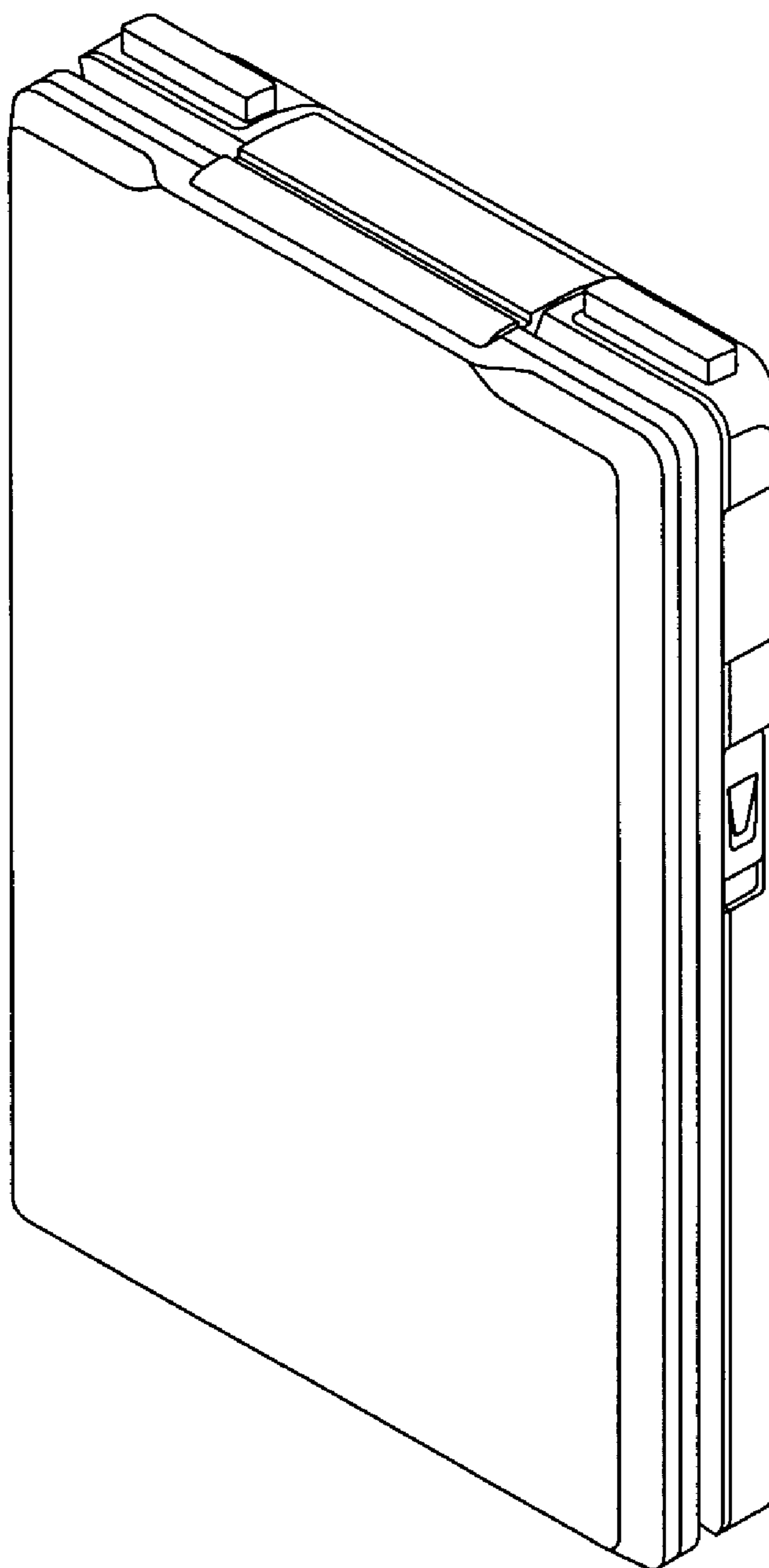


FIG. 1



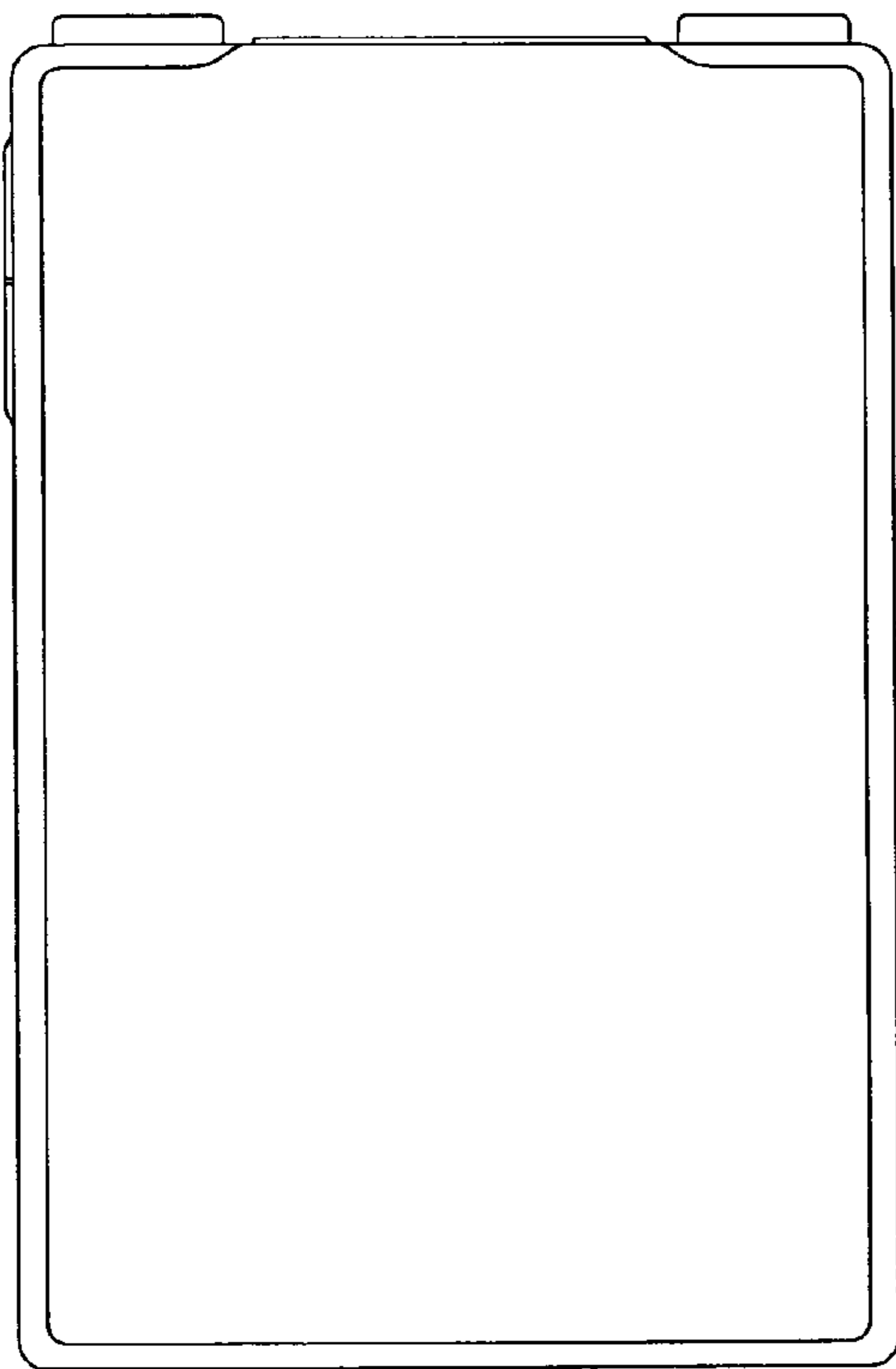


FIG. 2

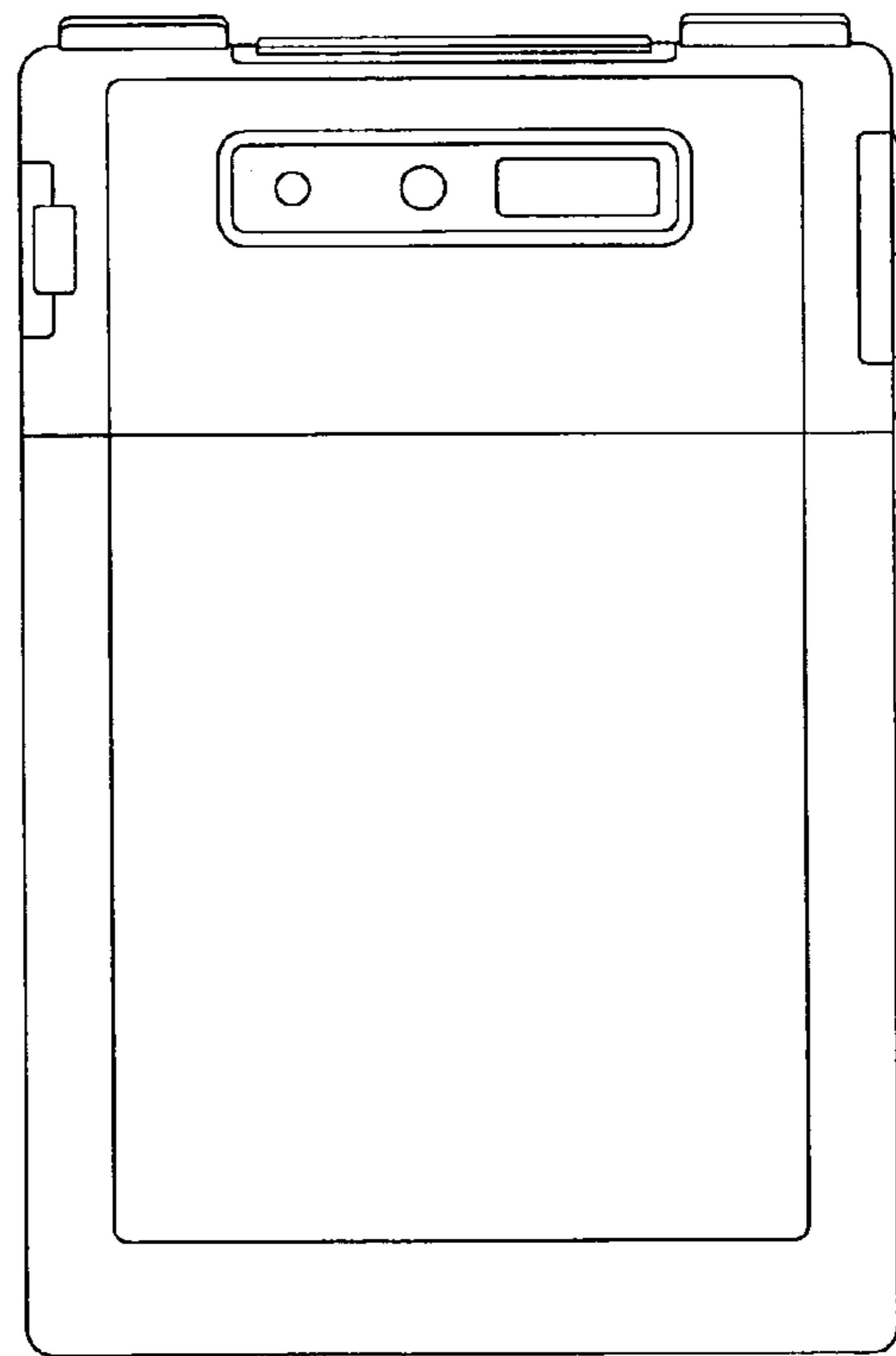


FIG. 3

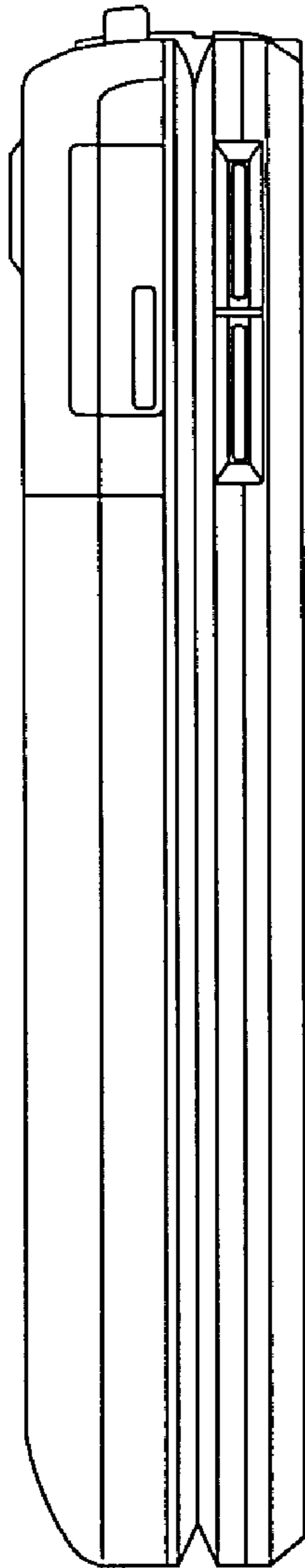


FIG. 4

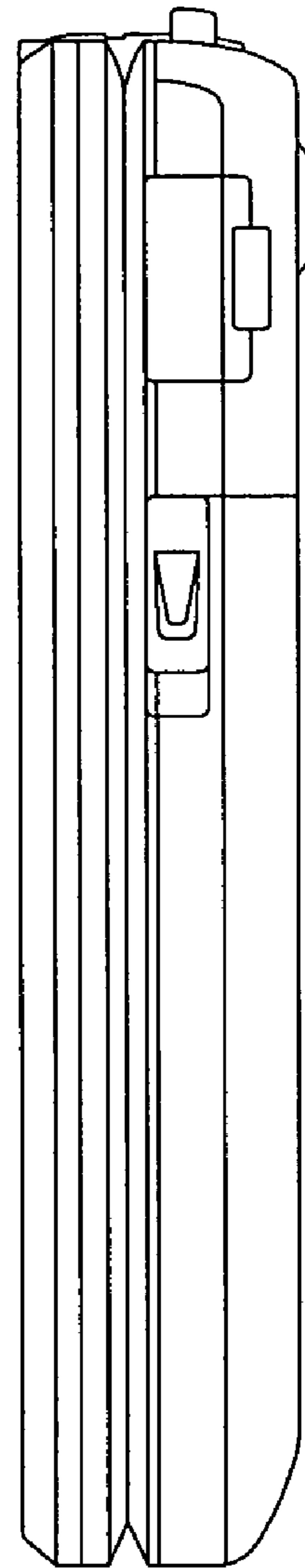


FIG. 5

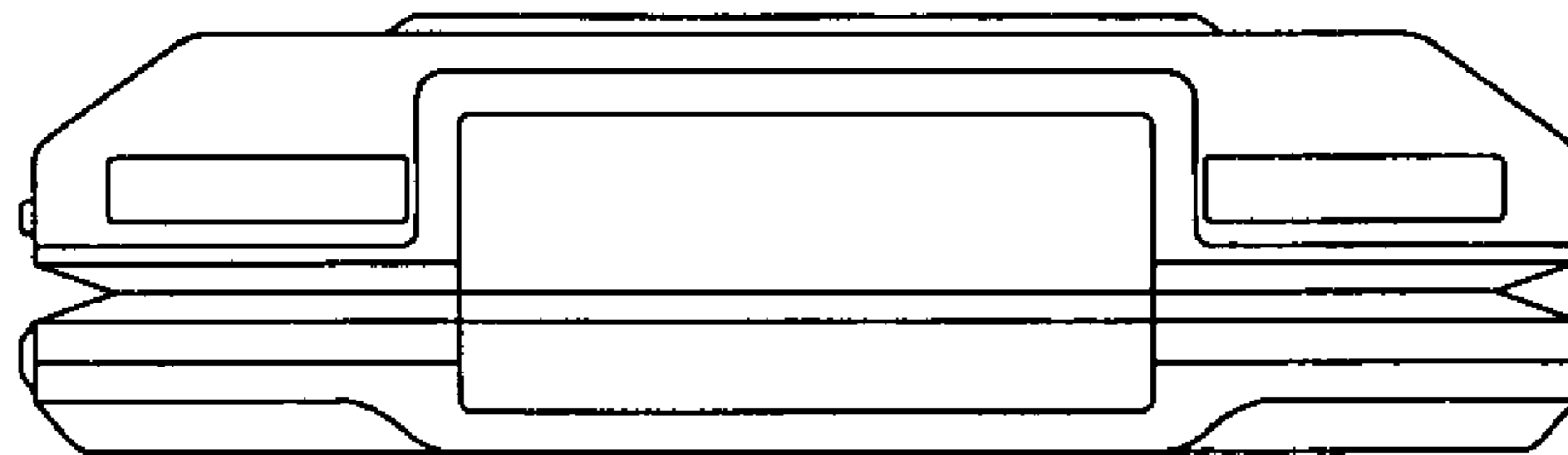


FIG. 6

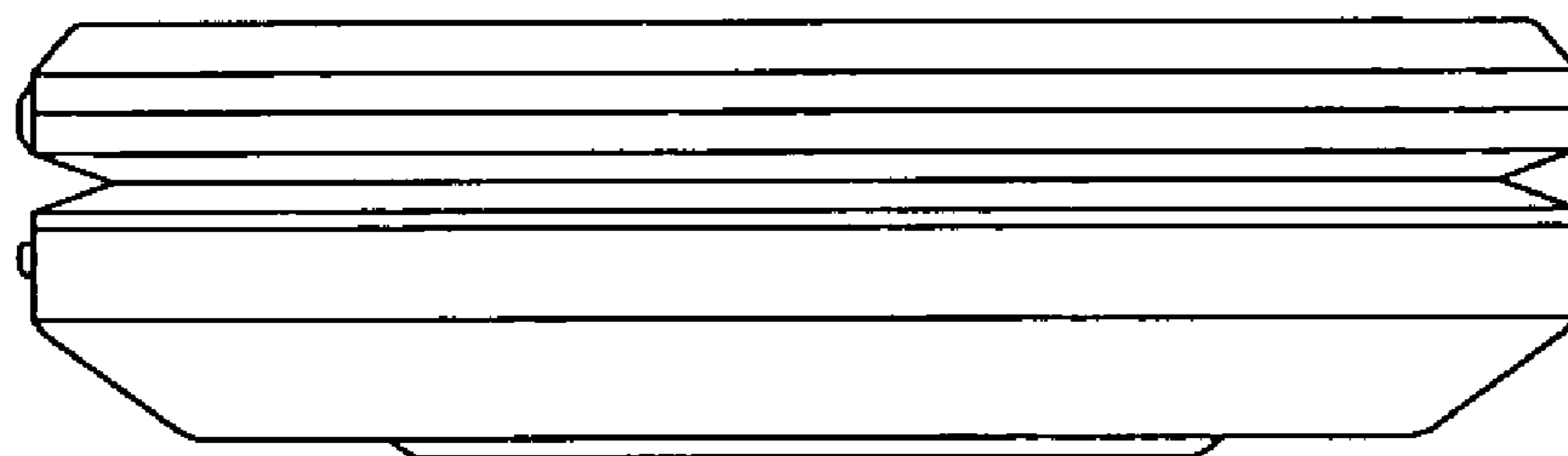


FIG. 7

FIG. 8

