

US00D567205S

(12) **United States Design Patent** (10) **Patent No.:** **US D567,205 S**
Kim et al. (45) **Date of Patent:** **** Apr. 22, 2008**

(54) **PORTABLE PHONE WITH REMOVABLE WIRELESS EARPIECE**
 (75) Inventors: **Dong-Kyu Kim**, Seoul (KR); **Beom-Ku Han**, Seoul (KR); **Chang-Hwan Hwang**, Goyang-Si (KR)
 (73) Assignee: **Samsung Electronics Co., Ltd.**, Suwon-Si (KR)

(**) Term: **14 Years**

(21) Appl. No.: **29/264,349**

(22) Filed: **Aug. 9, 2006**

(30) **Foreign Application Priority Data**

Feb. 10, 2006 (KR) 30-2006-0005155

(51) **LOC (8) Cl.** **14-03**
 (52) **U.S. Cl.** **D14/138**
 (58) **Field of Classification Search** D14/137, D14/138, 147, 218, 341-347; D5/1, 6, 16, D5/24, 32, 34, 37-40, 45, 47, 54, 56, 58, D5/66; 455/90.3, 556.1, 556.2, 575.1, 575.3, 455/575.4; 379/433.01-433.13; 361/814; 348/14.02

See application file for complete search history.

(56) **References Cited**

U.S. PATENT DOCUMENTS

D419,155	S	*	1/2000	Nagele et al.	D14/138
D462,064	S	*	8/2002	Kim	D14/138
D476,635	S	*	7/2003	Nagai et al.	D14/138
D493,439	S	*	7/2004	Hong et al.	D14/138
D493,440	S	*	7/2004	Chou et al.	D14/138
D496,014	S	*	9/2004	Lodato et al.	D14/138
D496,020	S	*	9/2004	Lee	D14/138
D498,468	S	*	11/2004	Seo	D14/138
D502,457	S	*	3/2005	Eigenstetter et al.	D14/138
D506,454	S	*	6/2005	Kim et al.	D14/138
D508,034	S	*	8/2005	Liao	D14/138
D512,398	S	*	12/2005	Chen et al.	D14/138
D512,975	S	*	12/2005	Tsai et al.	D14/138
D521,968	S	*	5/2006	Jung et al.	D14/138

D525,224	S	*	7/2006	Pitt et al.	D14/138
D543,170	S	*	5/2007	Kim et al.	D14/138
7,210,629	B2	*	5/2007	Cho et al.	235/454
D546,312	S	*	7/2007	Han et al.	D14/138
D548,220	S	*	8/2007	Takagi	D14/167
2001/0036845	A1	*	11/2001	Park	455/566
2002/0187818	A1	*	12/2002	Kang	455/575
2004/0242264	A1	*	12/2004	Cho	455/550.1
2005/0003852	A1	*	1/2005	Song	455/550.1
2005/0090297	A1	*	4/2005	Yang et al.	455/575.3
2005/0140778	A1	*	6/2005	Kim et al.	348/14.02
2007/0202934	A1	*	8/2007	Kim	455/575.3

OTHER PUBLICATIONS

Samsung C400, announced Sep. 2006, [online], [retrieved on Nov. 27, 2007]. Retrieved from Internet ,<URL: http://www.gsmarena.com>.*

* cited by examiner

Primary Examiner—Jeffrey Asch
Assistant Examiner—Bridget L Eland
 (74) *Attorney, Agent, or Firm*—Staas & Halsey LLP

(57) **CLAIM**

The ornamental design for the portable phone with removable wireless earpiece, as shown and described.

DESCRIPTION

FIG. 1 is a perspective view of the portable phone with removable wireless earpiece showing our design;
 FIG. 2 is a front view thereof;
 FIG. 3 is a rear view thereof;
 FIG. 4 is a left side view thereof;
 FIG. 5 is a right side view thereof;
 FIG. 6 is a top plan view thereof;
 FIG. 7 is a bottom plan view thereof;
 FIG. 8 is a front, open view thereof; and,
 FIG. 9 is a perspective view thereof showing the path along which the earpiece has been removed from the handset.

1 Claim, 6 Drawing Sheets

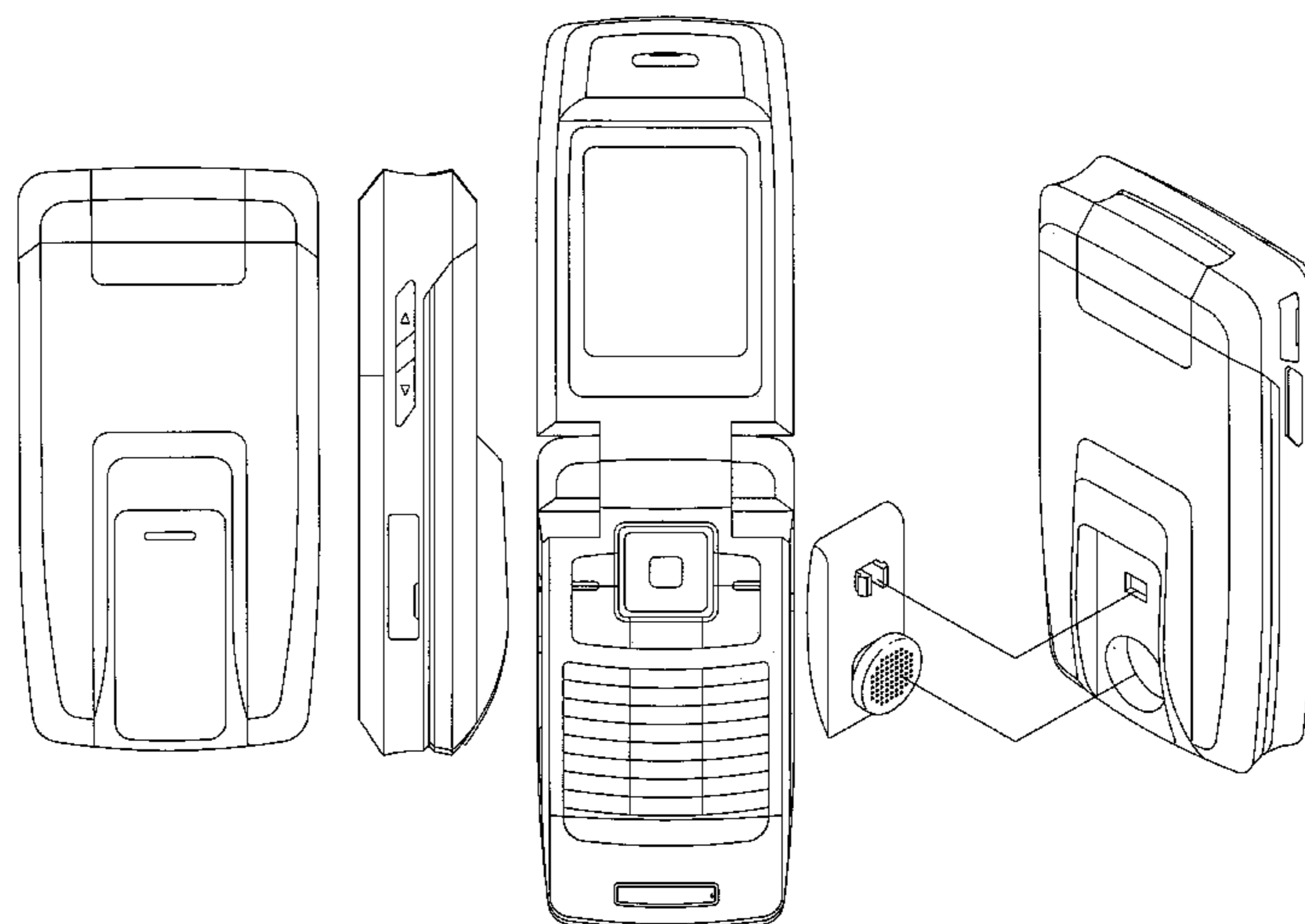


FIG. 1

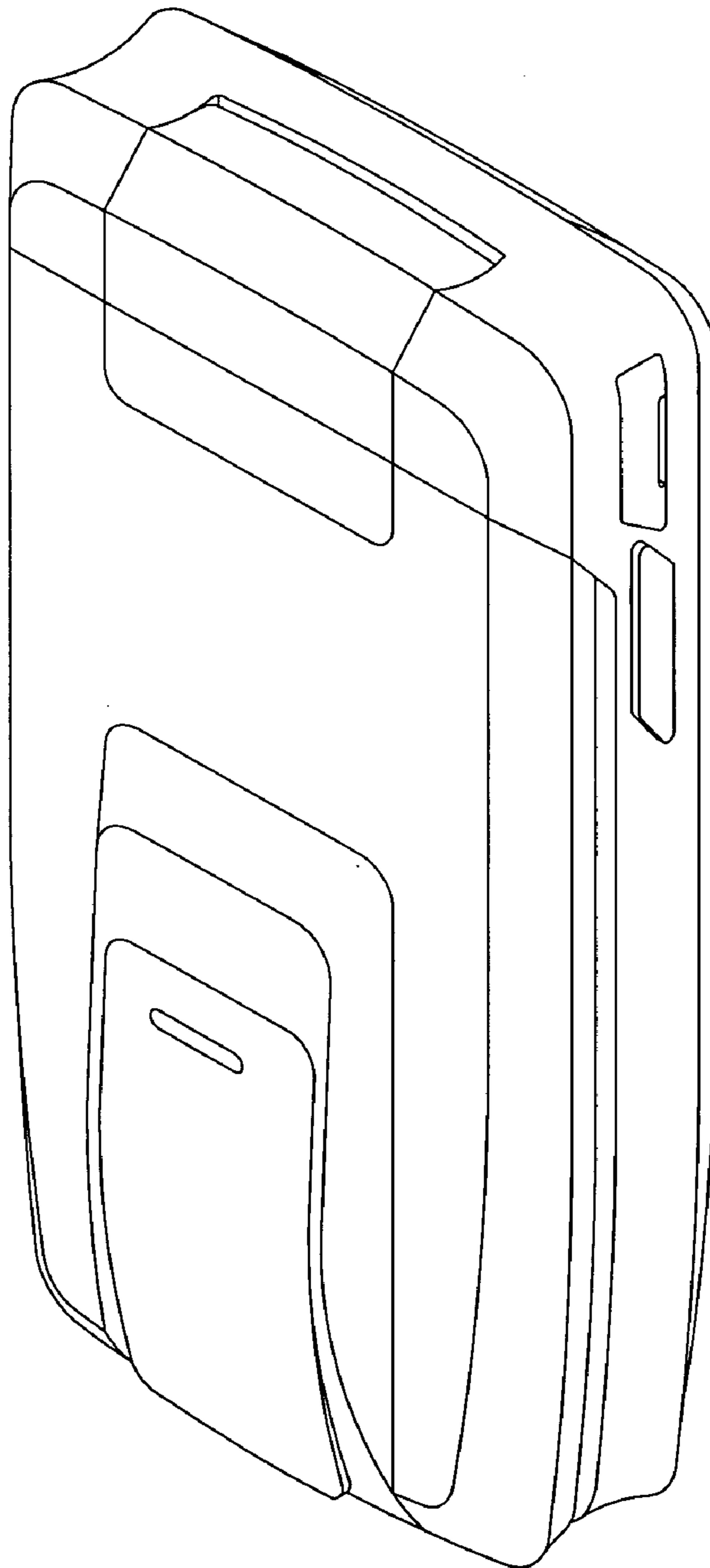


FIG. 2

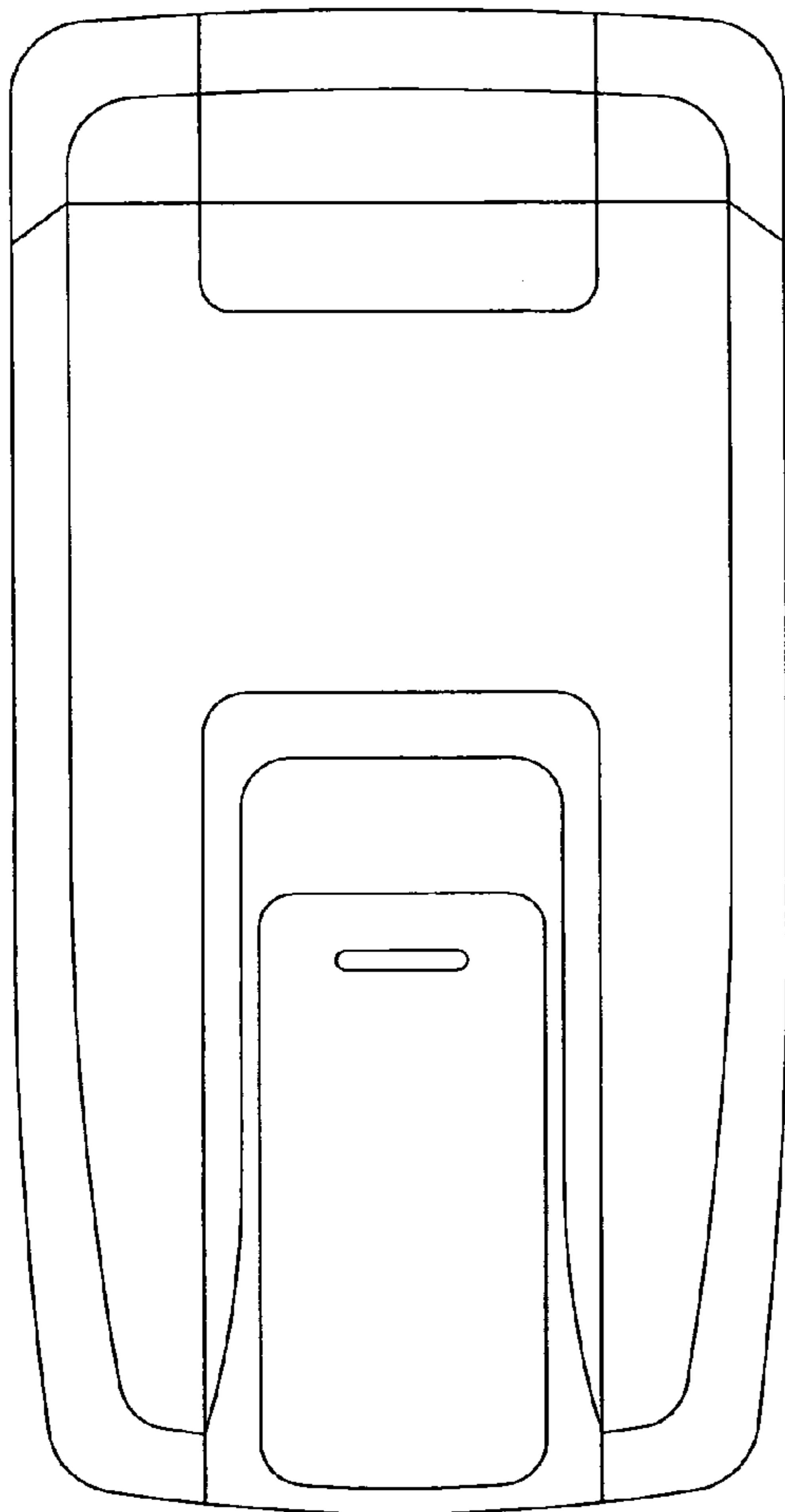


FIG. 3

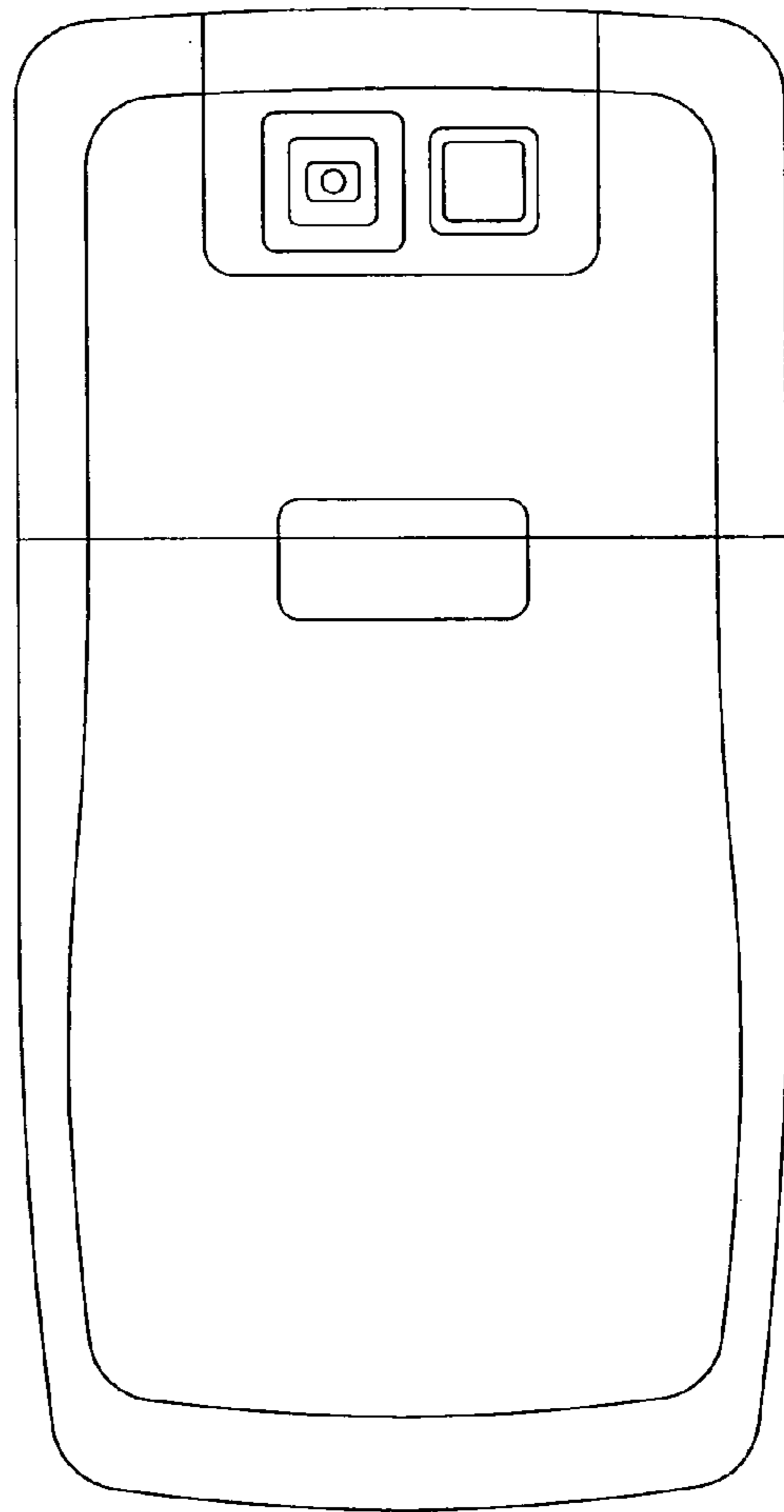


FIG. 4

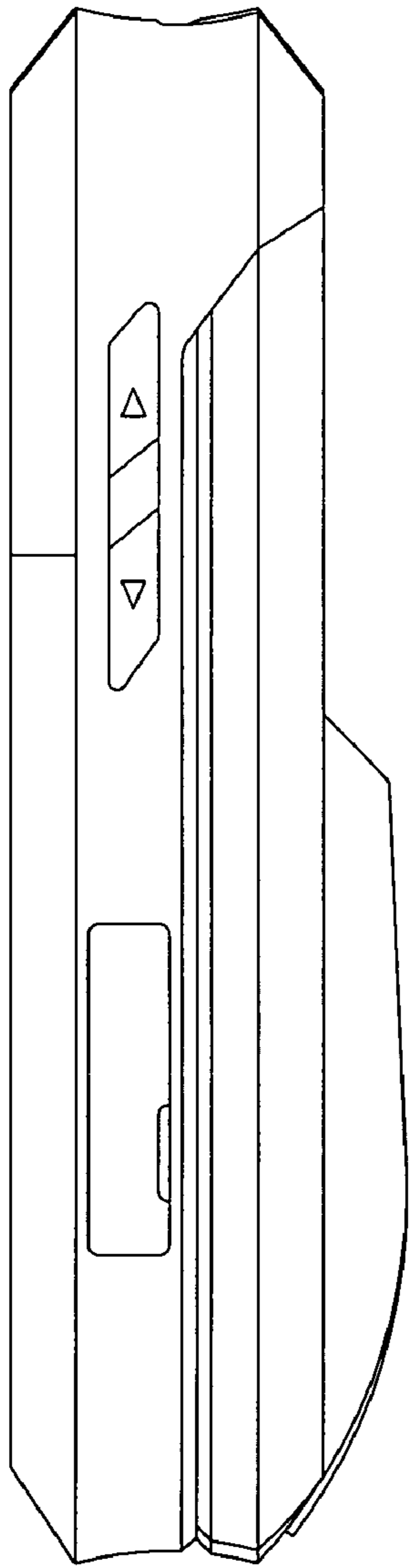


FIG. 5

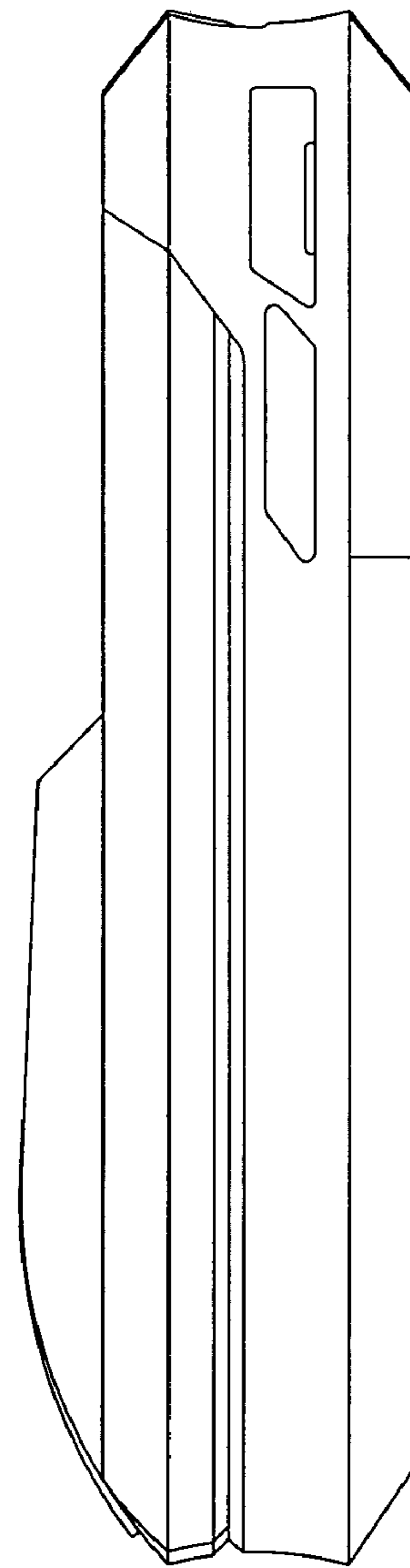


FIG. 6

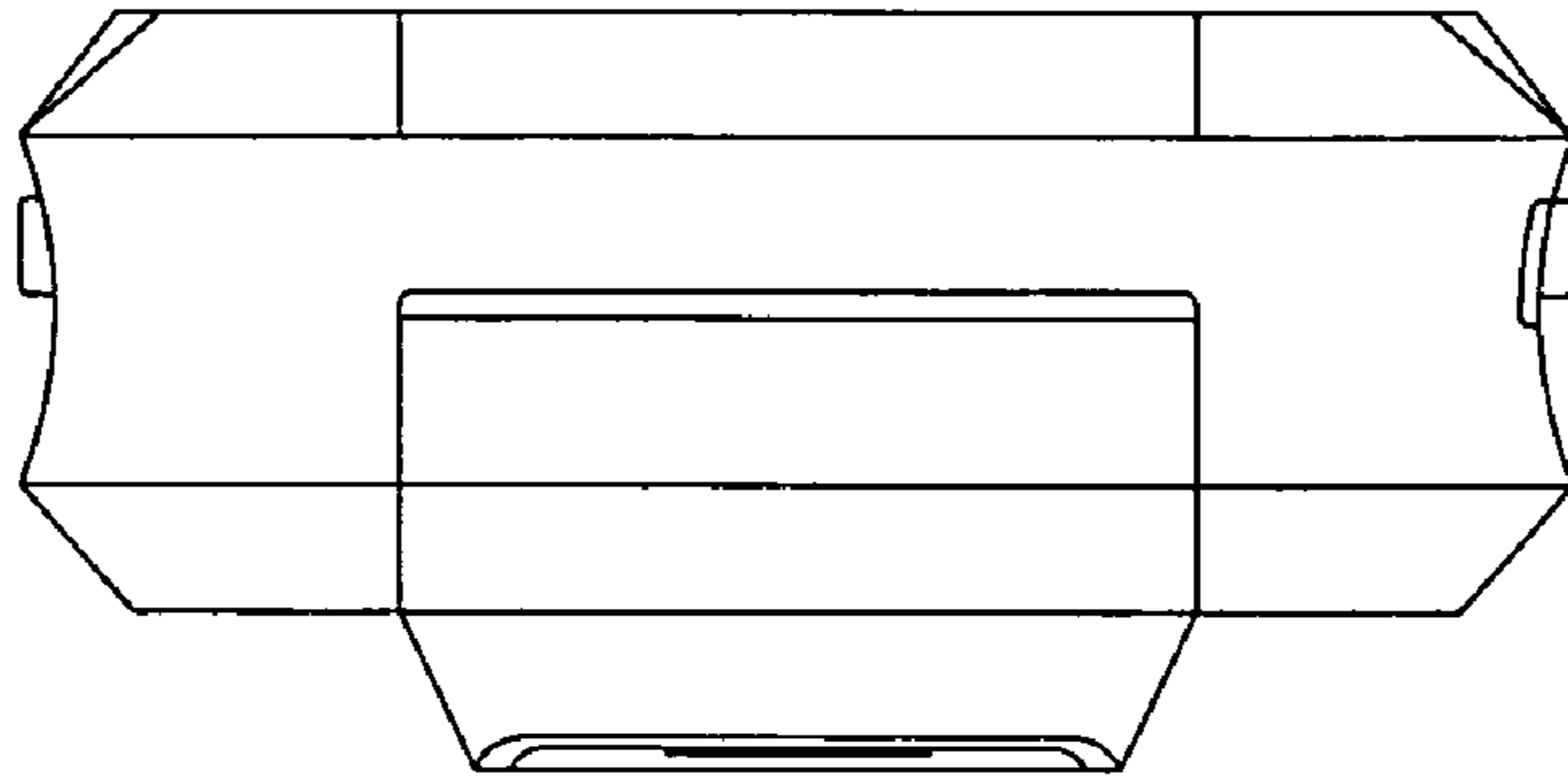


FIG. 7

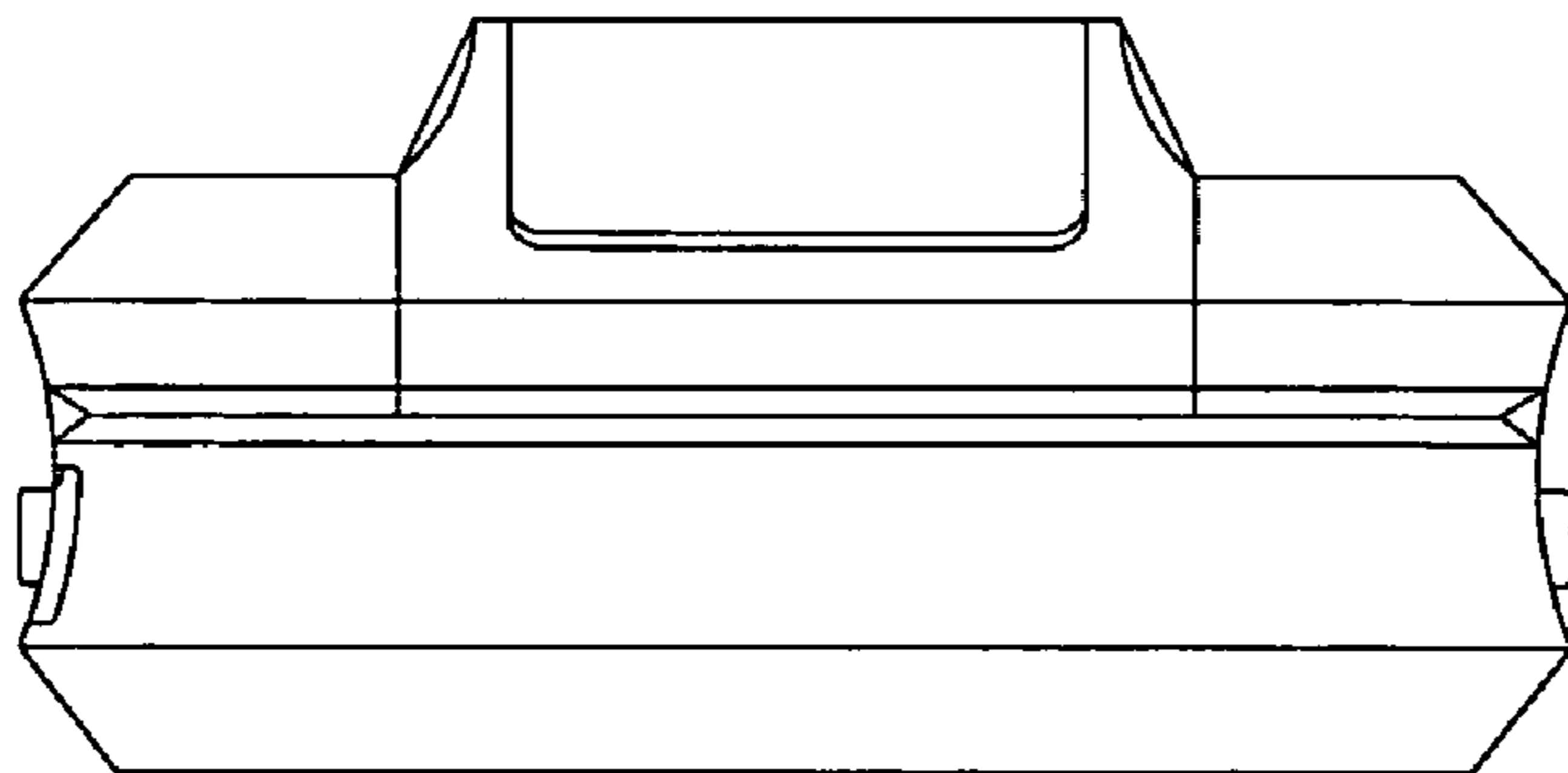


FIG. 8

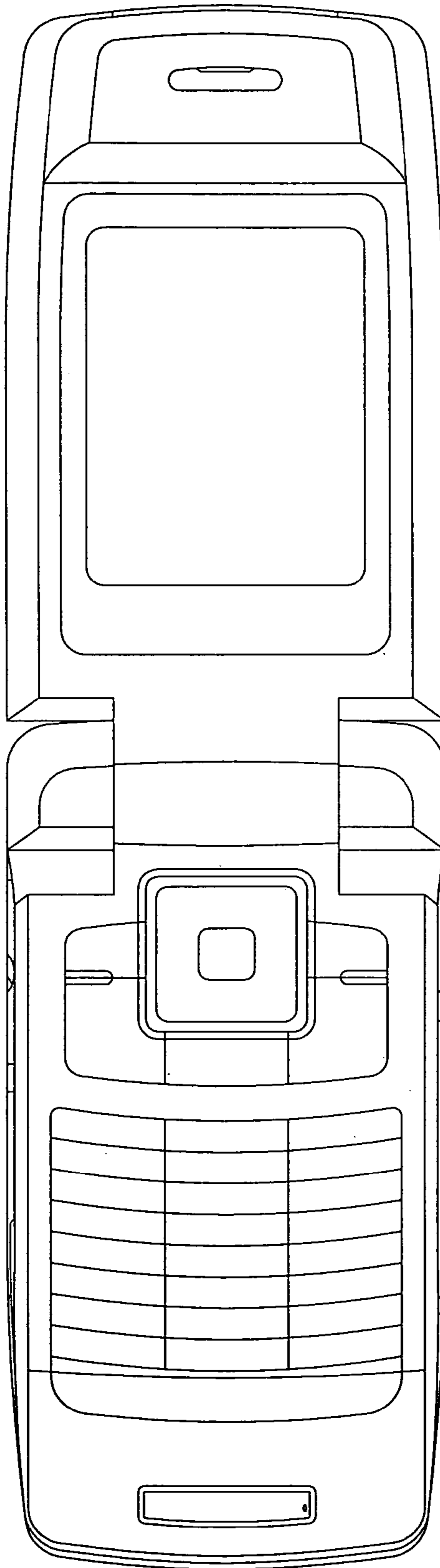


FIG. 9

