



US00D567204S

(12) **United States Design Patent**
Park

(10) **Patent No.:** **US D567,204 S**

(45) **Date of Patent:** **** Apr. 22, 2008**

(54) **DVD RECORDER**

(75) Inventor: **Jung-Hyun Park**, Seoul (KR)

(73) Assignee: **Samsung Electronics Co., Ltd.**,
Suwon, Kyunggi-Do (KR)

(**) Term: **14 Years**

(21) Appl. No.: **29/269,996**

(22) Filed: **Dec. 12, 2006**

(51) **LOC (8) Cl.** **14-01**

(52) **U.S. Cl.** **D14/136**

(58) **Field of Classification Search** D14/135–136,
D14/156–157, 167–168, 197–198, 188, 357,
D14/445; 360/99.02, 99.07, 137; 369/75.11,
369/75.21, 77.21, 77.11; 720/612, 619, 647,
720/655; 455/344, 347–351

See application file for complete search history.

(56) **References Cited**

U.S. PATENT DOCUMENTS

| | | | | | |
|-------------|---|---------|---------------|-------|---------|
| D311,915 S | * | 11/1990 | Hong | | D14/135 |
| 5,172,360 A | * | 12/1992 | Decoster | | 720/601 |
| D459,709 S | * | 7/2002 | Kojima et al. | | D14/136 |
| D512,700 S | * | 12/2005 | Sonoda | | D14/136 |
| D519,960 S | | 5/2006 | Kwon et al. | | |
| D519,962 S | | 5/2006 | Kim et al. | | |
| D519,963 S | | 5/2006 | Lim et al. | | |
| D520,478 S | | 5/2006 | Kwon et al. | | |
| D520,479 S | | 5/2006 | Kwon et al. | | |
| D520,480 S | | 5/2006 | Kwon et al. | | |
| D520,481 S | | 5/2006 | Lim et al. | | |
| D520,973 S | | 5/2006 | Kwon et al. | | |
| D520,974 S | | 5/2006 | Lim | | |
| D520,975 S | | 5/2006 | Kim et al. | | |
| D521,965 S | | 5/2006 | Ko et al. | | |
| D521,966 S | | 5/2006 | Kim et al. | | |
| D521,967 S | | 5/2006 | Lim | | |
| D522,986 S | | 6/2006 | Kwon et al. | | |
| D523,832 S | | 6/2006 | Kwon et al. | | |
| D525,958 S | | 8/2006 | Kwon et al. | | |
| D526,294 S | | 8/2006 | Kwon et al. | | |

| | | |
|------------|---------|-------------|
| D526,979 S | 8/2006 | Lim |
| D526,980 S | 8/2006 | Kwon et al. |
| D526,981 S | 8/2006 | Kim et al. |
| D528,525 S | 9/2006 | Cho et al. |
| D529,464 S | 10/2006 | Lim et al. |
| D529,885 S | 10/2006 | Park et al. |
| D530,692 S | 10/2006 | Lim et al. |
| D530,693 S | 10/2006 | Park et al. |
| D530,694 S | 10/2006 | Park |
| D530,695 S | 10/2006 | Park |
| D531,153 S | 10/2006 | Lim et al. |
| D533,159 S | 12/2006 | Kim et al. |
| D536,683 S | 2/2007 | Lim et al. |
| D536,682 S | 3/2007 | Lim et al. |

OTHER PUBLICATIONS

U.S. Appl. No. 29/259,105, Applicant: Jin-Wook Kim, filed May 2, 2006 entitled Digital Video Recorder.

U.S. Appl. No. 29/237,124, Applicant: Hyun-Teak Lim, et al., filed Aug. 26, 2005 entitled DVD Recorder.

U.S. Appl. No. 29/241,755, Applicant: Jung-Hyun Park, filed Oct. 31, 2005 entitled DVD Recorder.

(Continued)

Primary Examiner—Nanda Bondade

(74) *Attorney, Agent, or Firm*—Flynn, Thiel, Boutell & Tanis, P.C.

(57) **CLAIM**

The ornamental design for a DVD recorder, as shown and described.

DESCRIPTION

FIG. 1 is a top front perspective view of a DVD recorder showing my new design;

FIG. 2 is a front elevational view thereof;

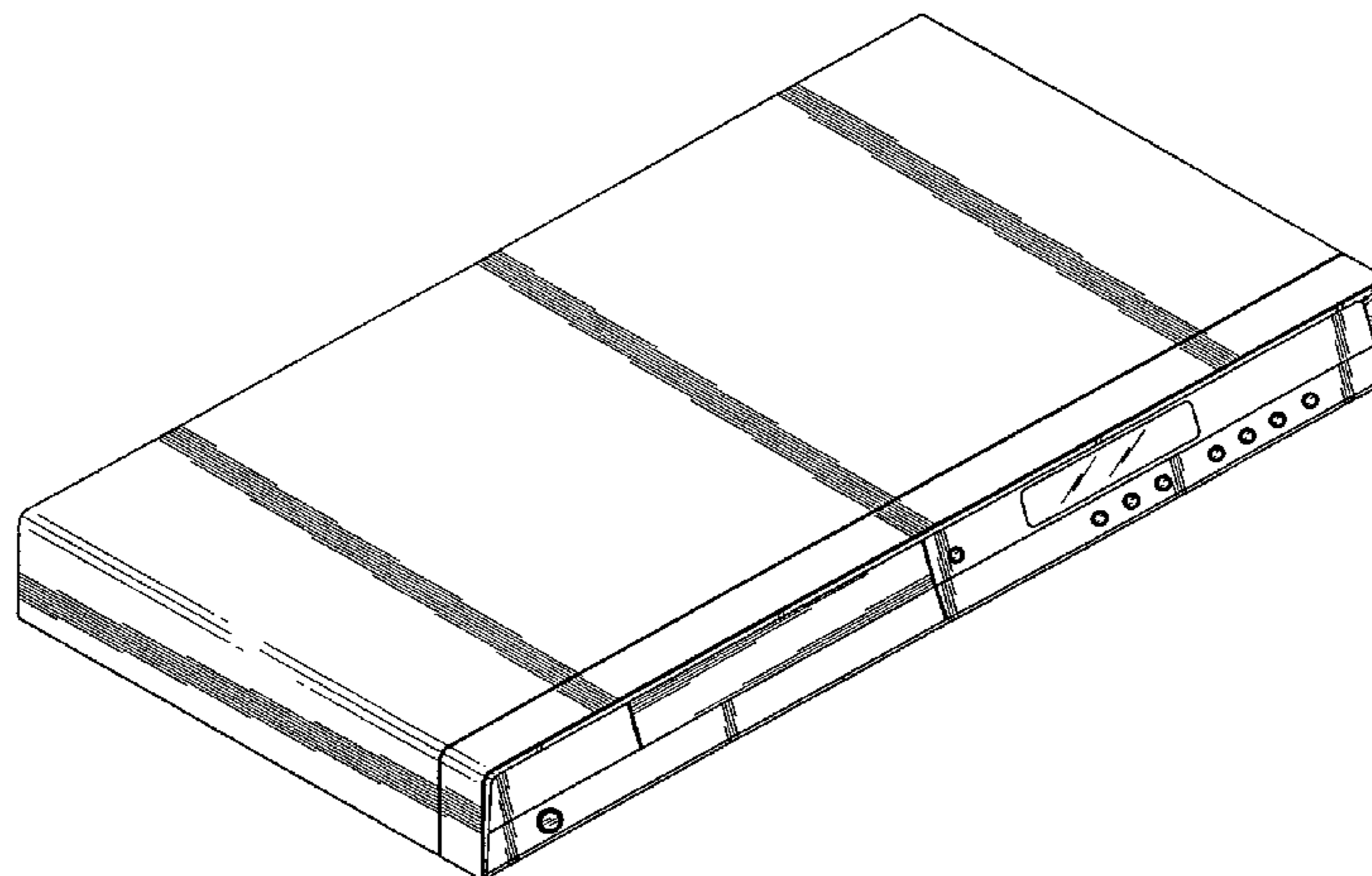
FIG. 3 is a rear elevational view thereof;

FIG. 4 is a left side elevational view thereof, the right side being a mirror image;

FIG. 5 is a top plan view thereof; and,

FIG. 6 is a bottom plan view thereof.

1 Claim, 4 Drawing Sheets



OTHER PUBLICATIONS

U.S. Appl. No. 29/241,756, Applicant: Jung-Hyun Park, filed Oct. 31, 2005 entitled Complex Image Player.
U.S. Appl. No. 29/241,757, Applicant: Jung-Hyun Park, filed Oct. 31, 2005 entitled Complex Image Player.
U.S. Appl. No. 29/241,751, Applicant: Jung-Hyun Park, filed Oct. 31, 2005 entitled DVD Recorder.
U.S. Appl. No. 29/269,994, Applicant: Jung-Hyun Park, filed Dec. 12, 2006 entitled DVD Player.
U.S. Appl. No. 29/269,995, Applicant: Jung-Hyun Park, filed Dec. 12, 2006 entitled DVD Recorder.

U.S. Appl. No. 29/269,992, Applicant: Jung-Hyun Park, filed Dec. 12, 2006 entitled DVD Recorder.
U.S. Appl. No. 29/269,991, Applicant: Jung-Hyun Park, filed Dec. 12, 2006 entitled DVD Recorder.
U.S. Appl. No. 29/269,993, Applicant: Jung-Hyun Park, et al., filed Dec. 12, 2006 entitled DVD Recorder.
U.S. Appl. No. 29/269,990, Applicant: Ju-Won Cho, et al., filed Dec. 12, 2006 entitled DVD Recorder.

* cited by examiner

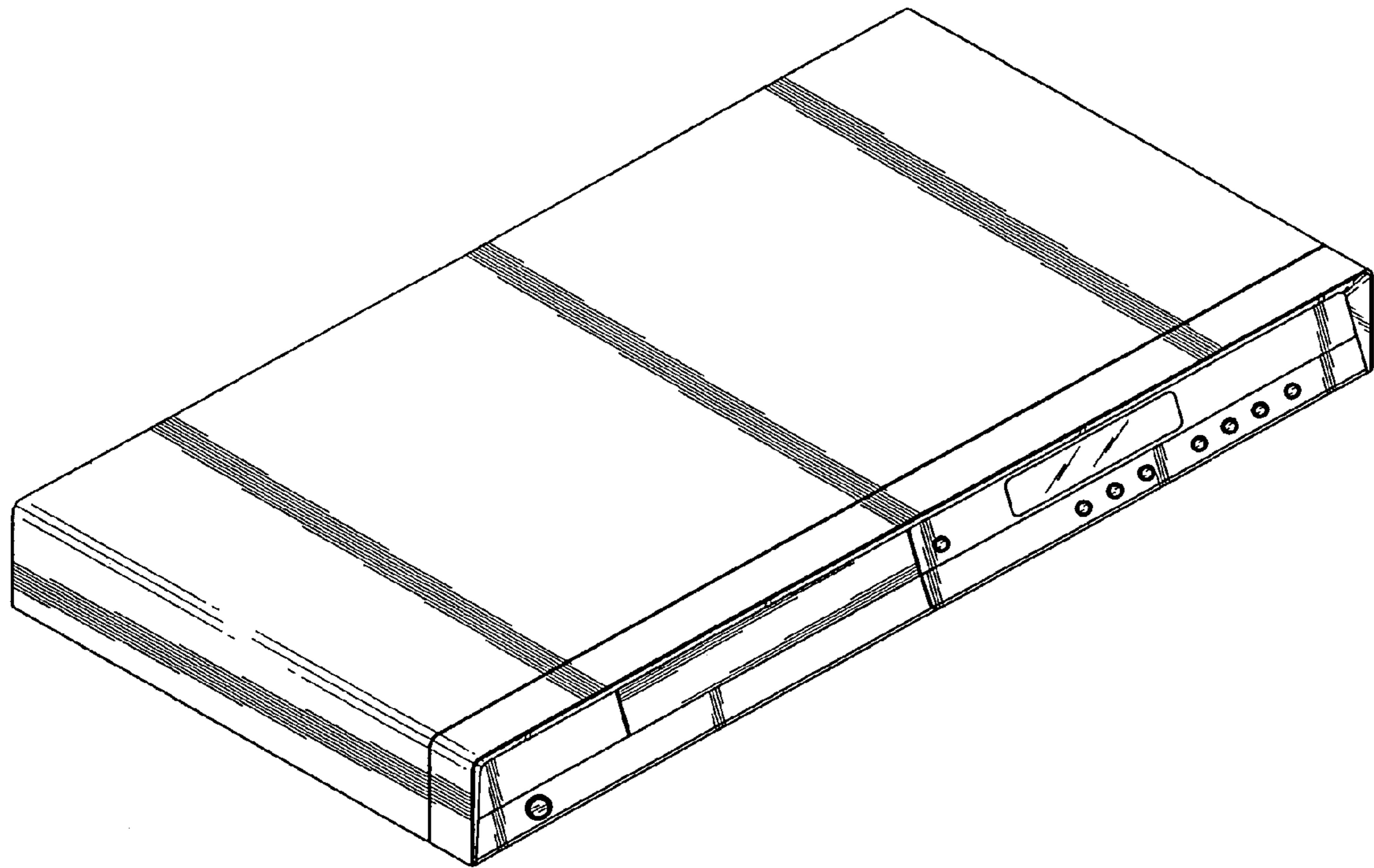


FIG. 1

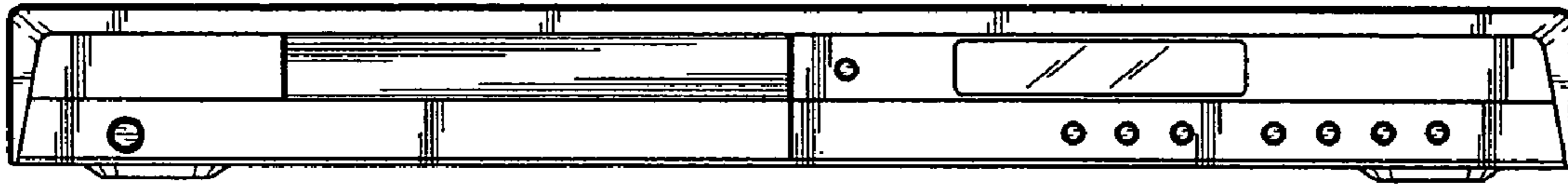


FIG. 2

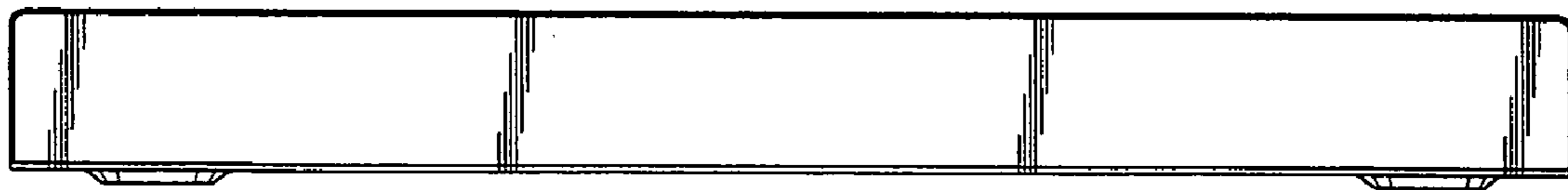


FIG. 3

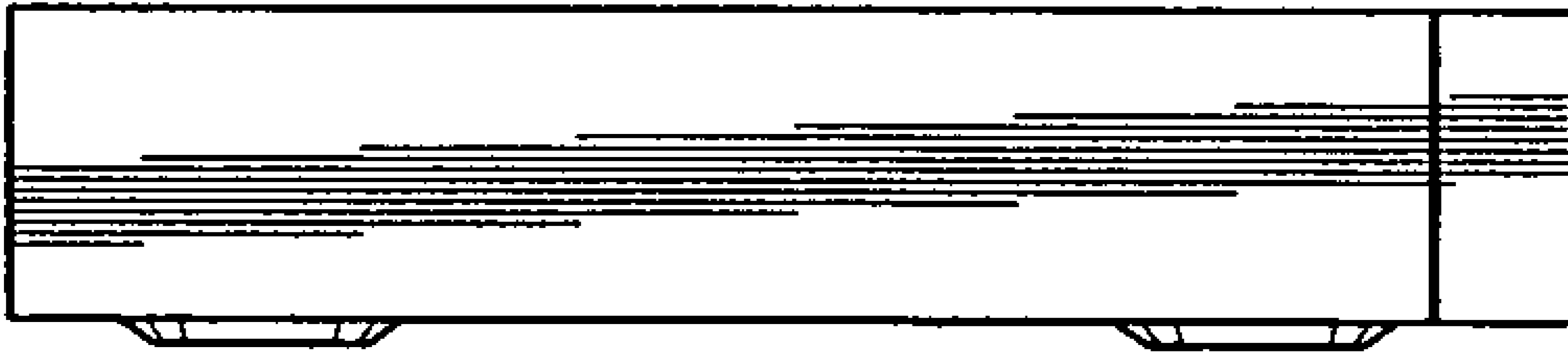


FIG. 4

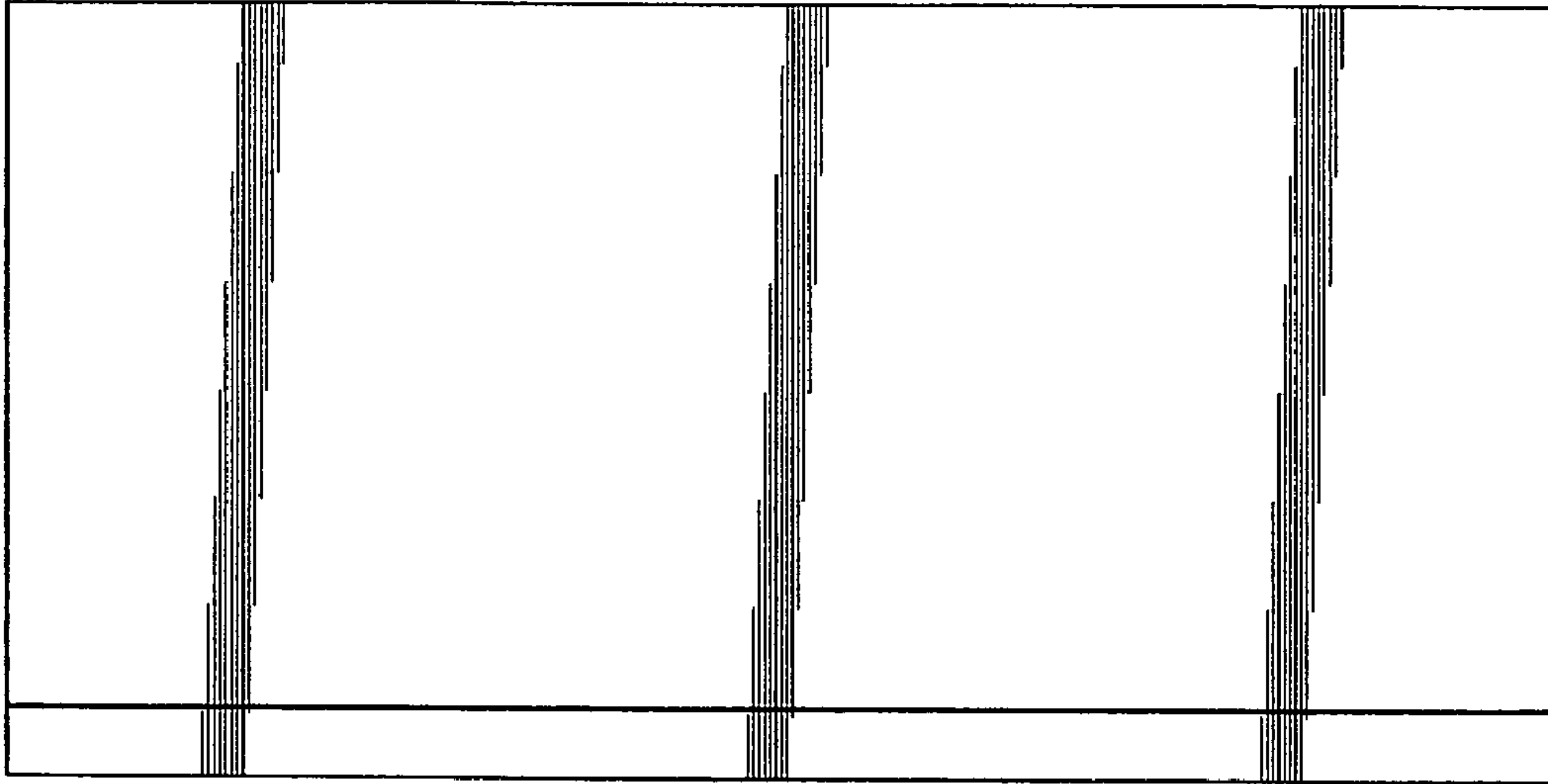


FIG. 5

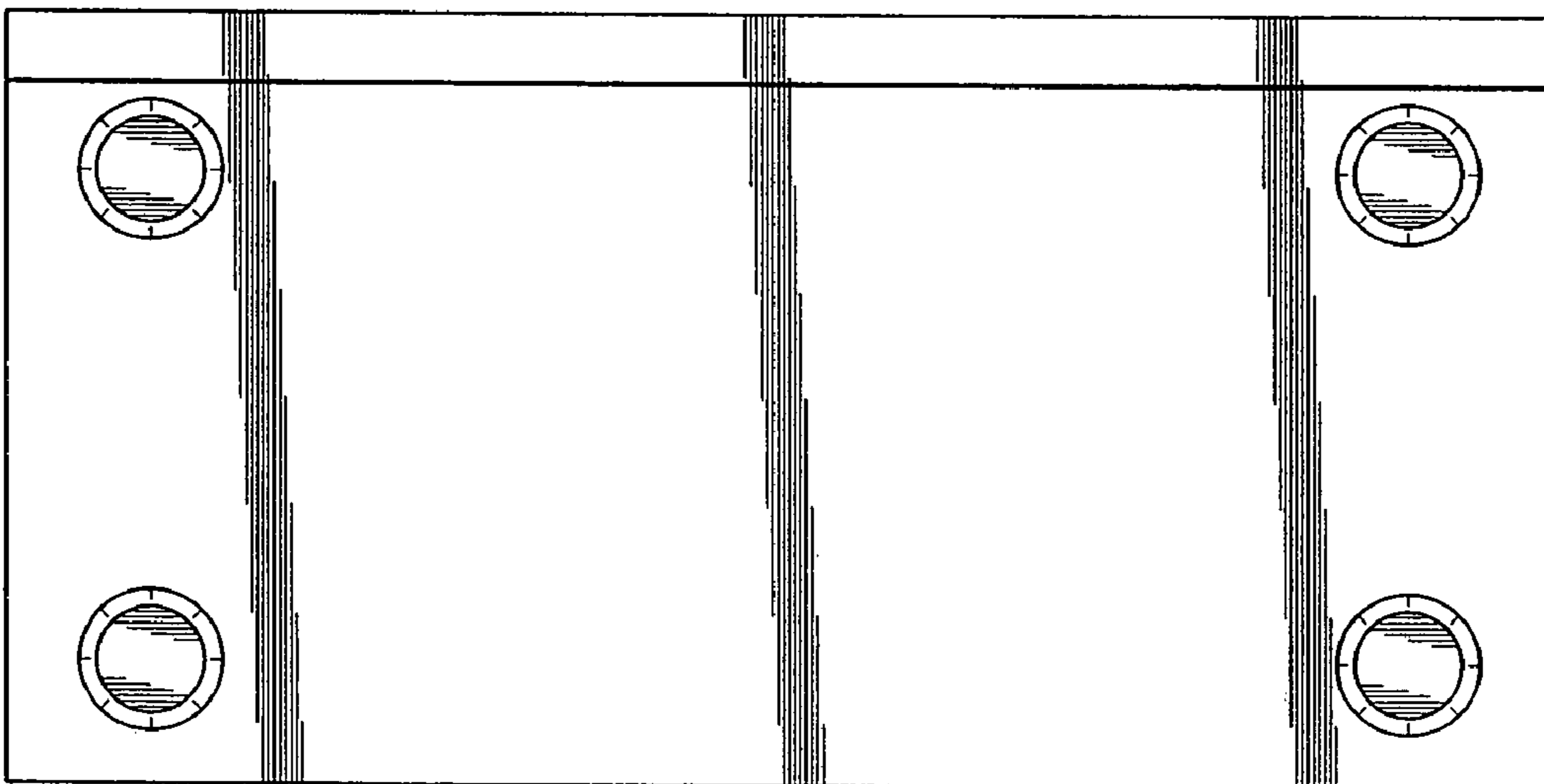


FIG. 6