



US00D567197S

(12) **United States Design Patent**  
**Kita**

(10) **Patent No.:** **US D567,197 S**  
(45) **Date of Patent:** **\*\* Apr. 22, 2008**

(54) **TELEVISION SET**  
(75) Inventor: **Toshiyuki Kita**, Osaka (JP)  
(73) Assignee: **Sharp Kabushiki Kaisha**, Osaka (JP)  
(\*\*) Term: **14 Years**  
(21) Appl. No.: **29/266,495**  
(22) Filed: **Sep. 22, 2006**  
(30) **Foreign Application Priority Data**  
Mar. 23, 2006 (JP) ..... 2006-007155  
(51) **LOC (8) Cl.** ..... **14-03**  
(52) **U.S. Cl.** ..... **D14/126**  
(58) **Field of Classification Search** ..... D14/125-134,  
D14/239, 371, 136, 374-377; 312/7.2; 348/836,  
348/838, 180, 184, 325, 739; 341/12; 248/917-924,  
248/465, 123.11; 345/104, 133, 156, 168,  
345/87, 173, 169; 349/1, 2, 11, 62; 720/605,  
720/669, 600, 655, 99, 197; 455/344-347;  
369/99, 197  
See application file for complete search history.

D453,747 S 2/2002 Kita  
D453,748 S 2/2002 Kita  
D456,370 S 4/2002 Kita  
D458,910 S 6/2002 Kita  
D492,269 S 6/2004 Kita  
D496,915 S 10/2004 Kita  
D497,351 S 10/2004 Kita  
D497,599 S 10/2004 Kita  
D499,076 S 11/2004 Kita  
D501,186 S 1/2005 Kita  
D501,654 S 2/2005 Kita  
D502,451 S 3/2005 Kita  
D502,931 S 3/2005 Kita  
D505,123 S 5/2005 Wang  
D508,470 S \* 8/2005 Inoue et al. .... D14/126  
D510,731 S 10/2005 Kita  
D512,385 S 12/2005 Kita

(Continued)

**OTHER PUBLICATIONS**

Fuji et al., entitled "Television Set," U.S. Appl. No. 29/228,974,  
filed May 2, 2005, pending.

(Continued)

*Primary Examiner*—Raphael Barkai  
*Assistant Examiner*—Randall H Gholson  
(74) *Attorney, Agent, or Firm*—Nixon & Vanderhye, PC

(56) **References Cited**  
**U.S. PATENT DOCUMENTS**

D337,113 S 7/1993 Saito  
D342,497 S 12/1993 Saito et al.  
D342,501 S 12/1993 Saeki et al.  
D351,155 S 10/1994 Usami et al.  
D351,156 S 10/1994 Usami et al.  
D357,244 S 4/1995 Usami et al.  
D357,245 S 4/1995 Usami et al.  
D357,472 S 4/1995 Usami et al.  
D369,596 S 5/1996 Akiyama et al.  
D372,026 S 7/1996 Akiyama et al.  
D373,583 S 9/1996 Akiyama et al.  
D427,169 S 6/2000 Saeki et al.  
D429,227 S 8/2000 Shimizu  
D431,537 S 10/2000 Saeki et al.  
D438,848 S 3/2001 Kita  
D439,224 S 3/2001 Kita  
D439,225 S 3/2001 Kita

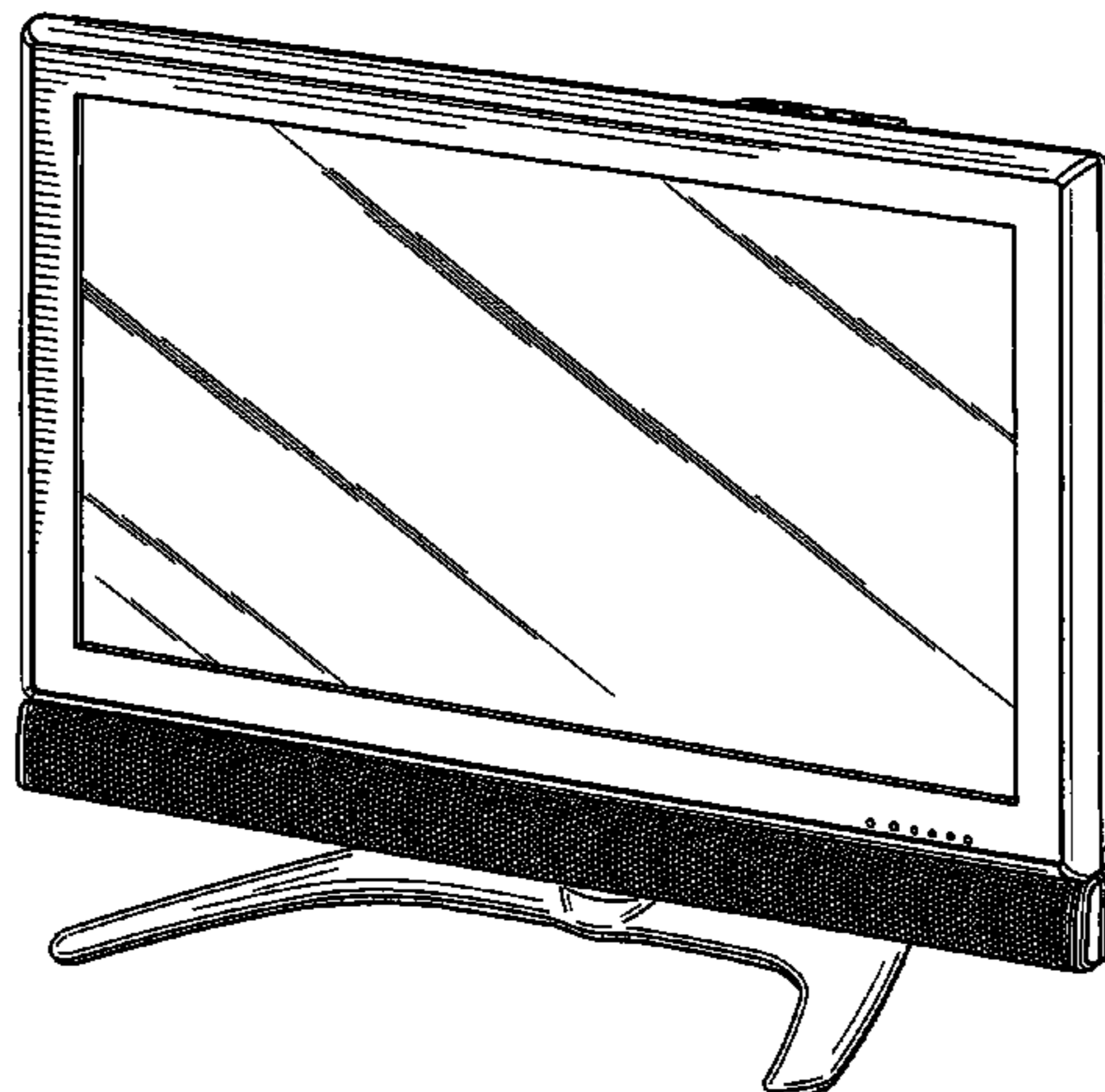
(57) **CLAIM**

The ornamental design for a "television set," as shown and  
described.

**DESCRIPTION**

FIG. 1 is a perspective view of a television set in accordance  
with my new design;  
FIG. 2 is a front elevation view thereof;  
FIG. 3 is a rear elevation view thereof;  
FIG. 4 is a top plan view thereof;  
FIG. 5 is a bottom plan view thereof;  
FIG. 6 is a right side elevational view thereof; and,  
FIG. 7 is a left side elevational view thereof.

**1 Claim, 6 Drawing Sheets**



U.S. PATENT DOCUMENTS

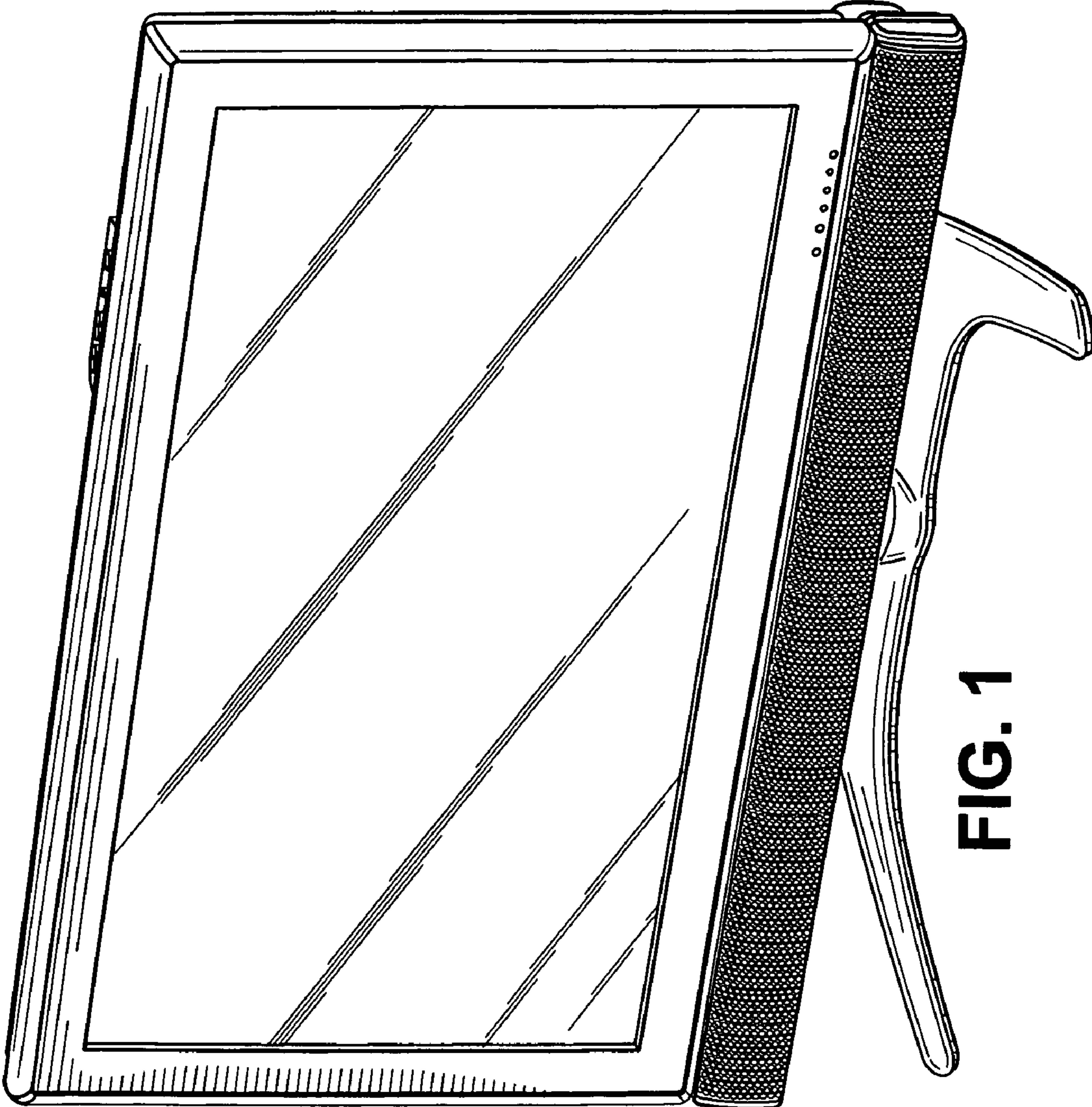
D512,386 S	12/2005	Kita	
D512,387 S	12/2005	Kita	
D540,285 S	* 4/2007	Kita	..... D14/126
D541,235 S	* 4/2007	Takami et al.	..... D14/126
D541,237 S	* 4/2007	Kita	..... D14/126
D541,766 S	* 5/2007	Kita	..... D14/126
D544,850 S	* 6/2007	Kita	..... D14/126
D545,282 S	* 6/2007	Kita	..... D14/126
D545,779 S	* 7/2007	Kita	..... D14/126
D546,301 S	* 7/2007	Kita	..... D14/126

OTHER PUBLICATIONS

Kita, entitled, "Television Set," U.S. Appl. No. 29/229,686, filed May 11, 2005, pending.  
 Fuji et al., entitled, "Television Set," U.S. Appl. No. 29/228,975, filed May 2, 2005, pending.  
 Kita, entitled, "Television Set," U.S. Appl. No. 29/232,697, filed Jun. 23, 2005, pending.  
 Kita, entitled, "Television Set," U.S. Appl. No. 29/232,616, filed Jun. 22, 2005, pending.  
 Kita, entitled, "Television Set," U.S. Appl. No. 29/232,622, filed Jun. 22, 2005, pending.  
 Kita, entitled, "Television Set," U.S. Appl. No. 29/232,620, filed Jun. 22, 2005, pending.  
 Kita, entitled, "Television Set," U.S. Appl. No. 29/232,607, filed Jun. 22, 2005, pending.  
 Kita, entitled, "Television Set," U.S. Appl. No. 29/232,621, filed Jun. 22, 2005, pending.  
 Kita, entitled, "Television Set," U.S. Appl. No. 29/232,614, filed Jun. 22, 2005, pending.  
 Totsuka, entitled, "Television Set," U.S. Appl. No. 29/245,754, filed Dec. 29, 2005, pending.  
 Kita, entitled, "Television Set," U.S. Appl. No. 29/243,346, filed Nov. 23, 2005, pending.  
 Kita, entitled, "Television Set," U.S. Appl. No. 29/243,348, filed Nov. 23, 2005, pending.  
 Kita, entitled, "Television Set," U.S. Appl. No. 29/243,347, filed Nov. 23, 2005, pending.  
 Kita, entitled, "Television Set," U.S. Appl. No. 29/243,703, filed Nov. 30, 2005, pending.  
 Kita, entitled, "Television Set," U.S. Appl. No. 29/243,704, filed Nov. 30, 2005, pending.  
 Kita, entitled, "Television Set," U.S. Appl. No. 29/243,707, filed Nov. 30, 2005, pending.  
 Kita, entitled, "Television Set," U.S. Appl. No. 29/245,015, filed Dec. 19, 2005, pending.

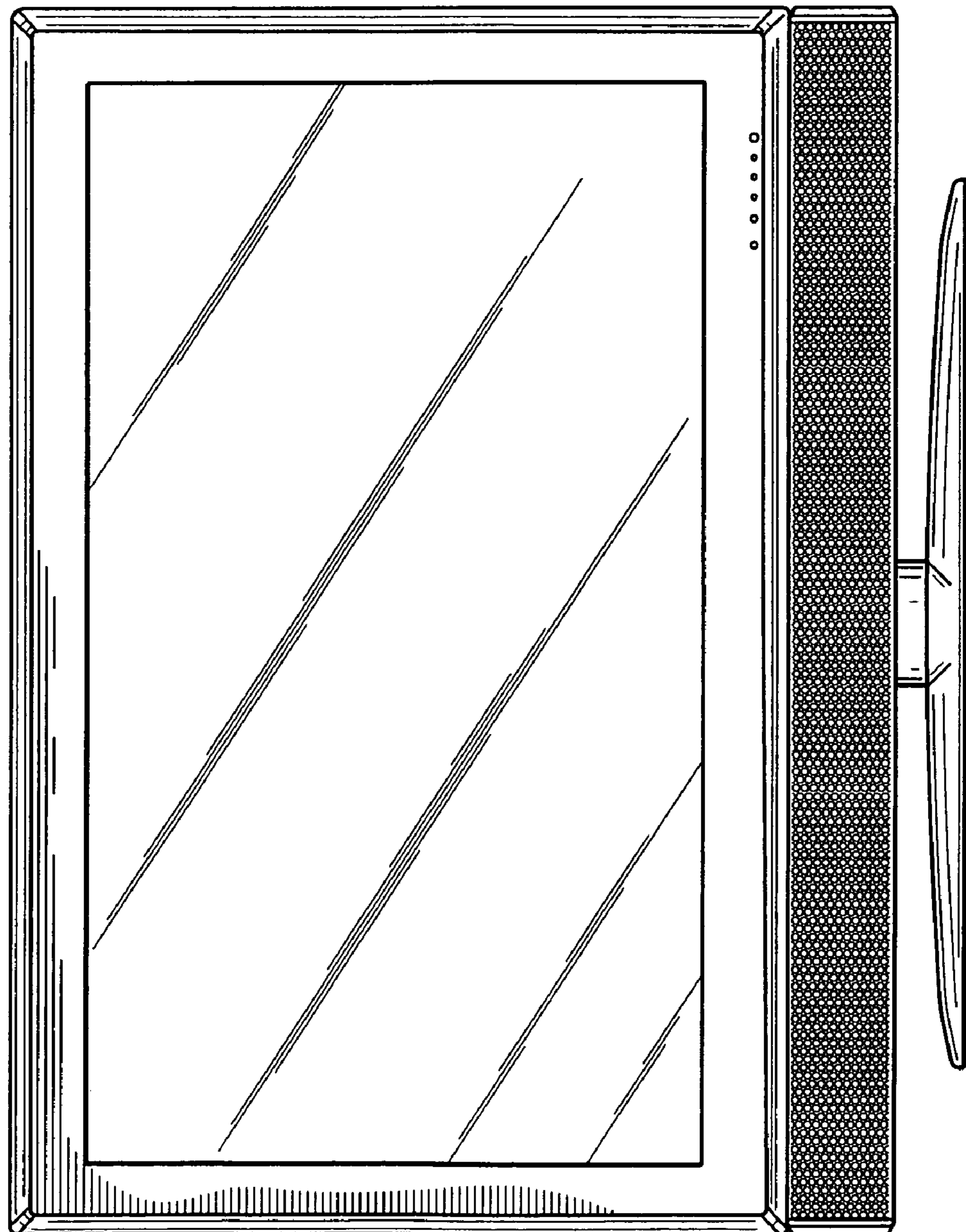
Kita, entitled, "Television Set," U.S. Appl. No. 29/253,456, filed Feb. 8, 2006, pending.  
 Kita, entitled, "Television Set," U.S. Appl. No. 29/243,350 filed Nov. 23, 2005, pending.  
 Kita, entitled, "Externally Exposed Surfaces of a Speaker for a Television Set," U.S. Appl. No. 29/243,705, filed Nov. 30, 2005, pending.  
 Kita, entitled, "Television Set," U.S. Appl. No. 29/253,455, filed Feb. 8, 2006, pending.  
 Kita, entitled, "Television Set," U.S. Appl. No. 29/261,811, filed Jun. 21, 2006, pending.  
 Kita, entitled, "Television Set," U.S. Appl. No. 29/261,807, filed Jun. 21, 2006, pending.  
 Kita, entitled, "Television Set," U.S. Appl. No. 29/261,813, filed Jun. 21, 2006, pending.  
 Kita, entitled, "Television Set," U.S. Appl. No. 29/260,910, filed Jun. 21, 2006, pending.  
 Kita, entitled, "Television Set," U.S. Appl. No. 29/261,815, filed Jun. 21, 2006, pending.  
 Kita, entitled, "Television Set," U.S. Appl. No. 29/261,810, filed Jun. 21, 2006, pending.  
 Kita, entitled, "Television Set," U.S. Appl. No. 29/261,805, filed Jun. 21, 2006, pending.  
 Kita, entitled, "Television Set," U.S. Appl. No. 29/261,804, filed Jun. 21, 2006, pending.  
 Kita, entitled, "Television Set," U.S. Appl. No. 29/261,803, filed Jun. 21, 2006, pending.  
 Kita, entitled, "Television Set," U.S. Appl. No. 29/261,801, filed Jun. 21, 2006, pending.  
 Inuma et al., entitled, "Television Set," U.S. Appl. No. 29/261,809, filed Jun. 21, 2006, pending.  
 Inuma et al., entitled, "Television Set," U.S. Appl. No. 29/261,806, filed Jun. 21, 2006, pending.  
 Fujii et al., entitled, "Television Set," U.S. Appl. No. 29/261,811, filed Jun. 21, 2006, pending.  
 Fujii et al., entitled, "Television Set," U.S. Appl. No. 29/261,807, filed Jun. 21, 2006, pending.  
 Fujii et al., entitled, "Television Set," U.S. Appl. No. 29/261,813, filed Jun. 21, 2006, pending.  
 Fujii et al., entitled, "Television Set," U.S. Appl. No. 29/260,910, filed Jun. 21, 2006, pending.  
 Fujii et al., entitled, "Television Set," U.S. Appl. No. 29/266,494, filed Sep. 22, 2006, pending.  
 Fujii et al., entitled, "Television Set," U.S. Appl. No. 29/261,802, filed Jun. 21, 2006, pending.

\* cited by examiner



**FIG. 1**

FIG. 2



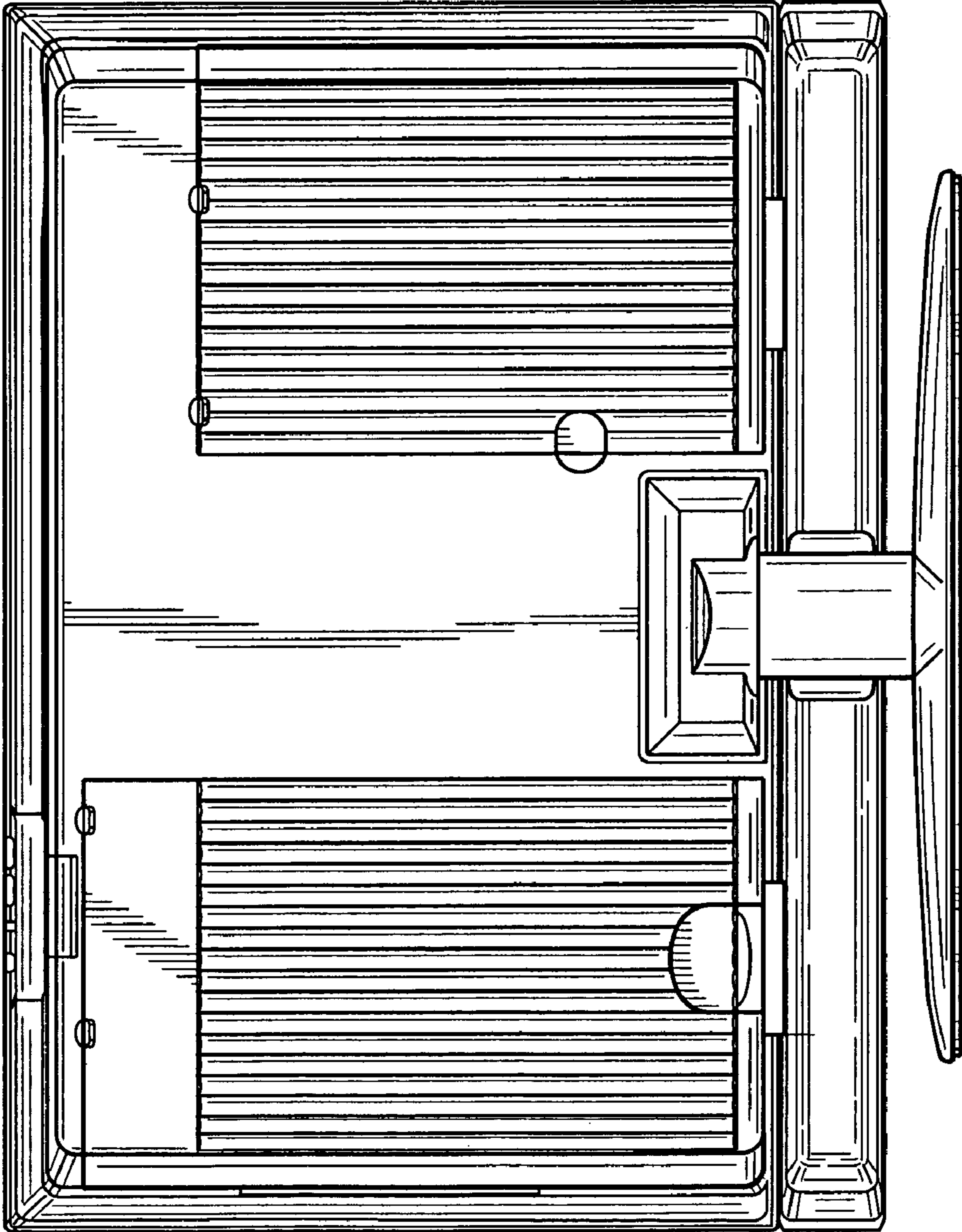
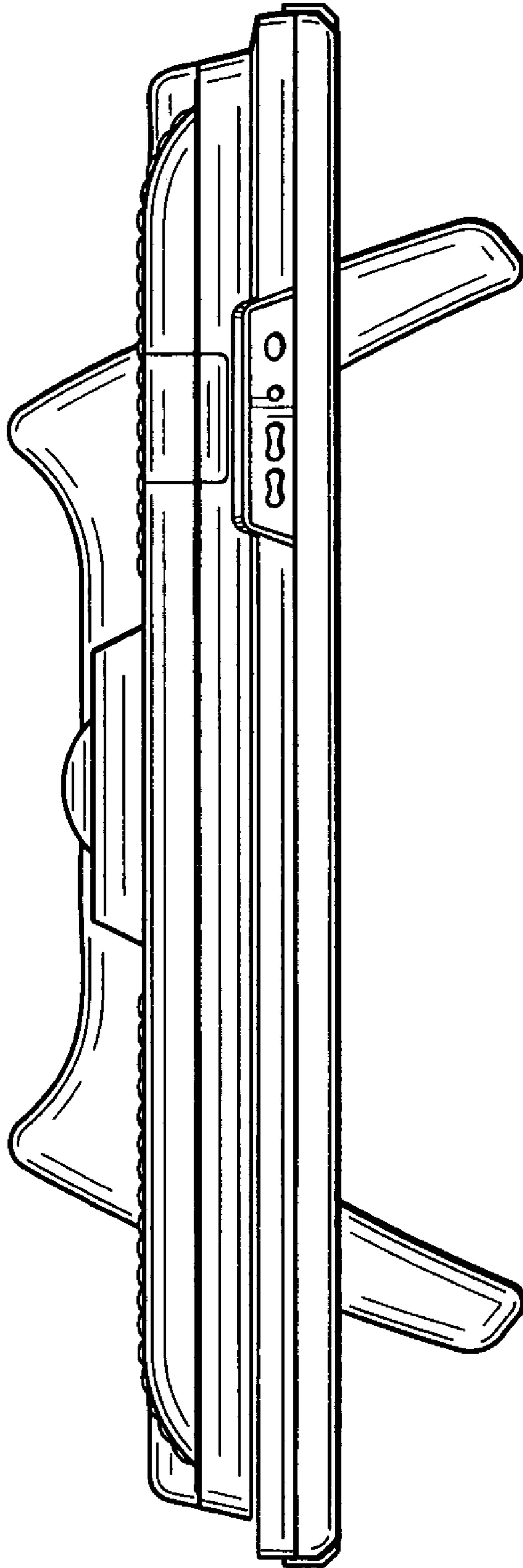
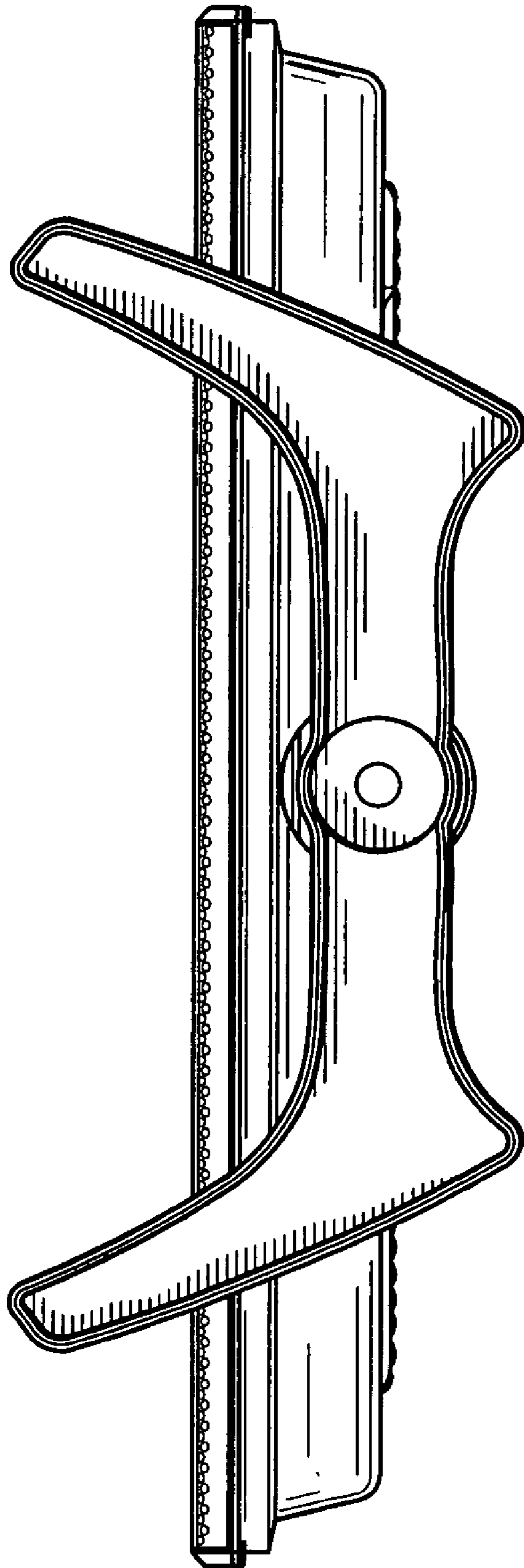


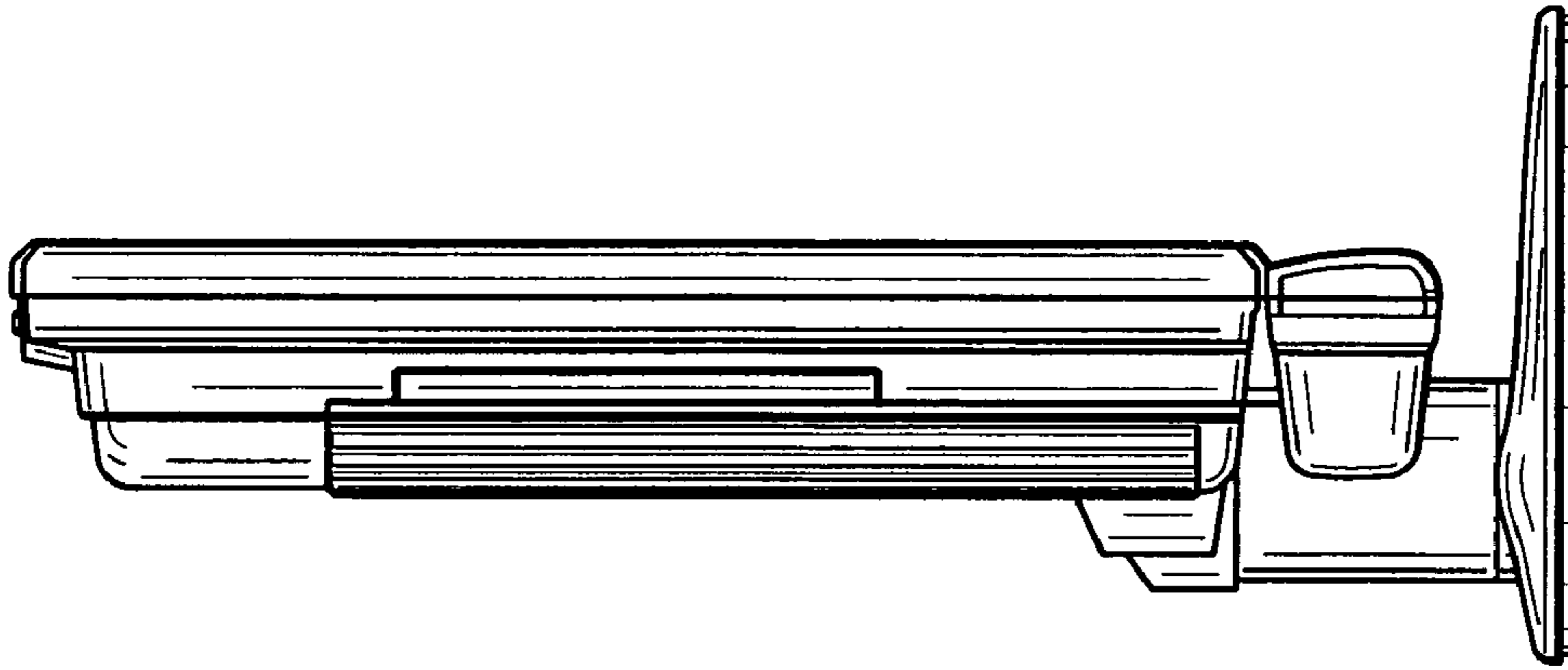
FIG. 3



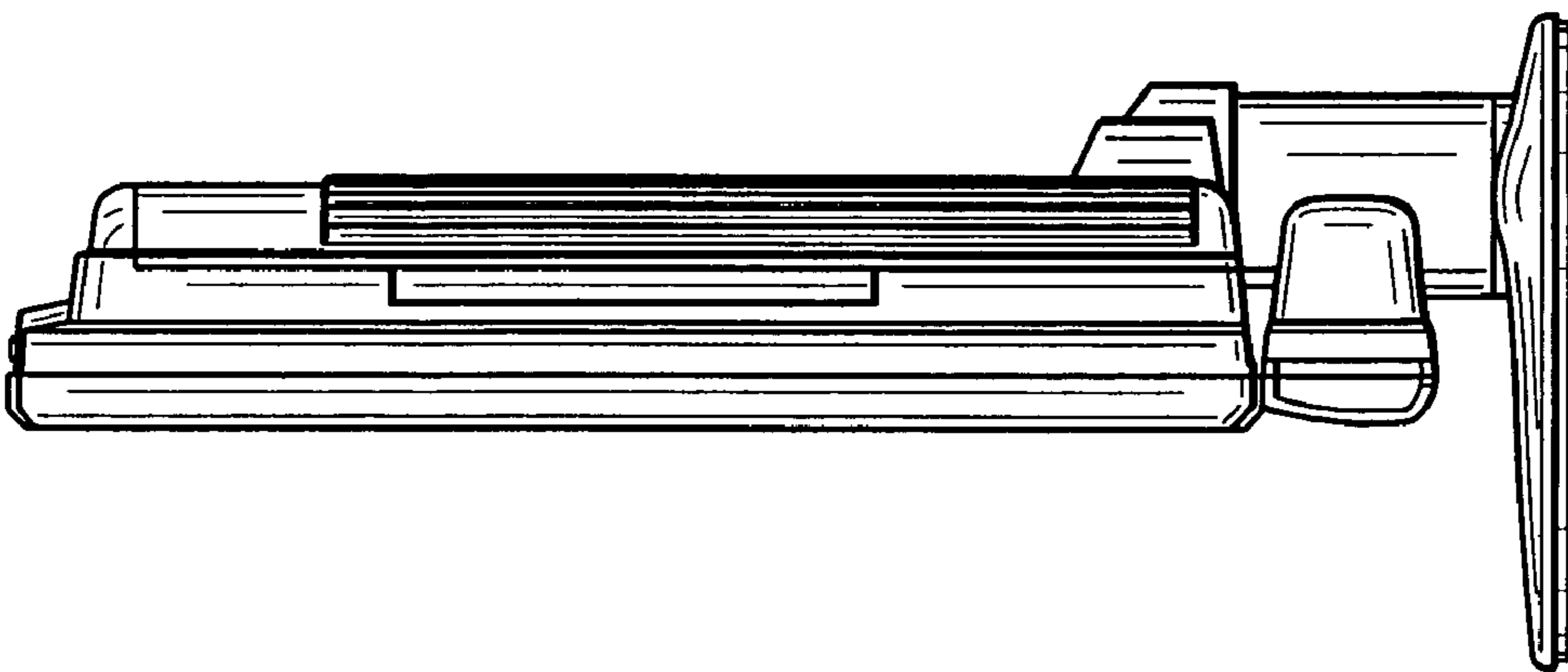
**FIG. 4**



**FIG. 5**



**FIG. 7**



**FIG. 6**