



US00D567196S

(12) **United States Design Patent**  
**Shih**

(10) **Patent No.:** **US D567,196 S**

(45) **Date of Patent:** **\*\* Apr. 22, 2008**

(54) **MONITOR**

(75) Inventor: **Wei-Ming Shih**, Chung Ho (TW)

(73) Assignee: **AmTran Technology Co., Ltd.**, Taipei (TW)

(\*\*) Term: **14 Years**

(21) Appl. No.: **29/264,778**

(22) Filed: **Aug. 18, 2006**

(51) **LOC (8) Cl.** ..... **14-03**

(52) **U.S. Cl.** ..... **D14/126**

(58) **Field of Classification Search** ..... D14/125-134,  
D14/239, 371, 136, 374-377; 312/7.2; 348/836,  
348/838, 180, 184, 325, 739; 341/12; 248/917-924,  
248/465, 123.11; 345/104, 133, 156, 168,  
345/87, 173, 169; 349/1, 2, 11, 62; 720/605,  
720/669, 600, 655, 99, 197; 455/344-347;  
369/99, 197

See application file for complete search history.

(56) **References Cited**

**U.S. PATENT DOCUMENTS**

- D408,416 S \* 4/1999 Fenner et al. .... D14/126
- D534,880 S \* 1/2007 Peng ..... D14/126
- D541,235 S \* 4/2007 Takami et al. .... D14/126
- D544,850 S \* 6/2007 Kita ..... D14/126

- D546,301 S \* 7/2007 Kita et al. .... D14/126
- D555,119 S \* 11/2007 Shih ..... D14/126
- D557,227 S \* 12/2007 Isshiki ..... D14/126

**OTHER PUBLICATIONS**

Sound & Vision, May 2006 vol. 71 Issue: 4.

\* cited by examiner

*Primary Examiner*—Raphael Barkai

*Assistant Examiner*—Randall H Gholson

(74) *Attorney, Agent, or Firm*—Rabin & Berdo, P.C.

(57) **CLAIM**

The ornamental design for a “monitor,” as shown and described.

**DESCRIPTION**

FIG. 1 is a perspective view of monitor showing my new design;

FIG. 2 is a front view thereof;

FIG. 3 is a rear view thereof;

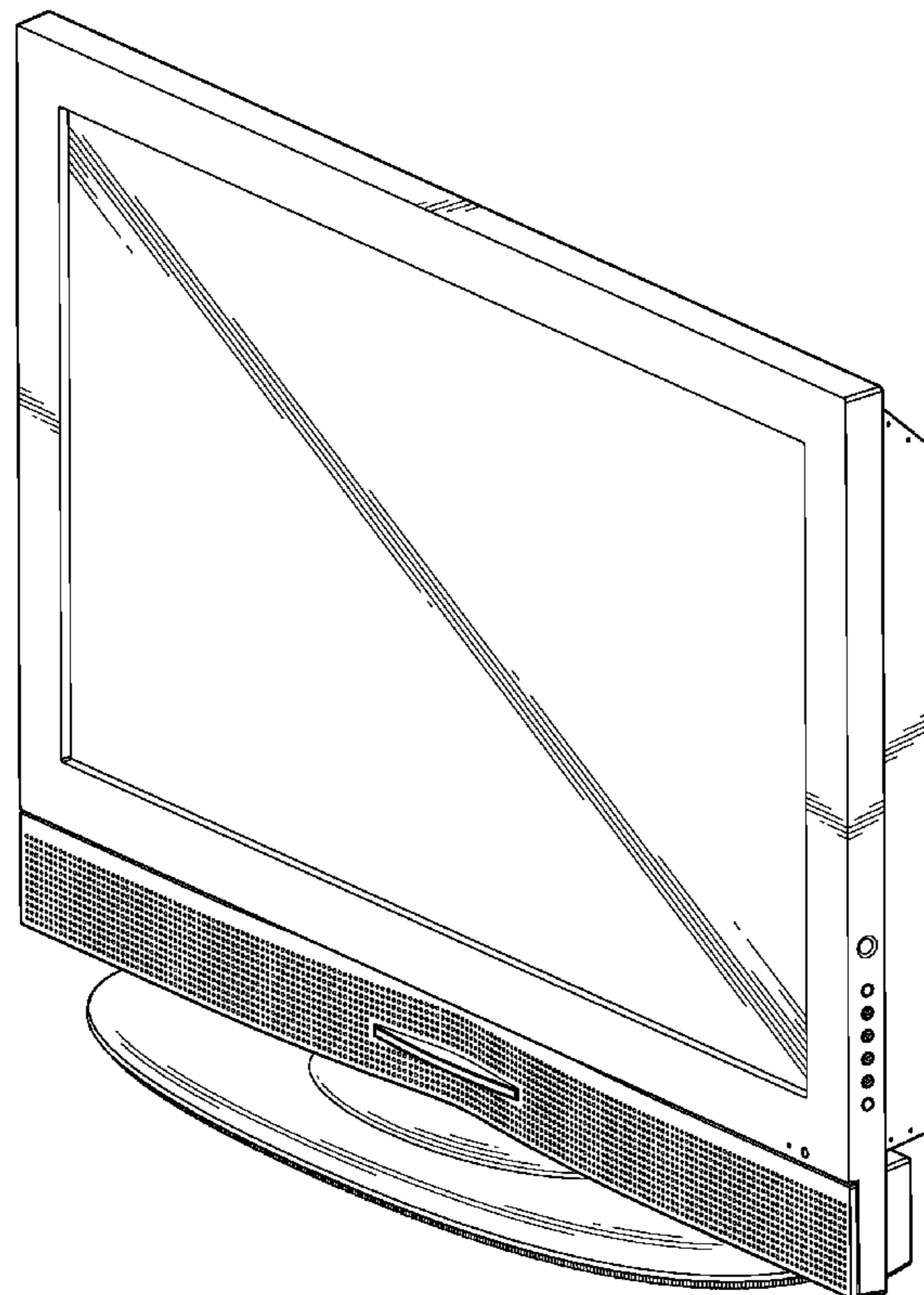
FIG. 4 is a left side elevational view thereof;

FIG. 5 is a right side elevational view thereof;

FIG. 6 is a top view thereof; and,

FIG. 7 is a bottom view thereof.

**1 Claim, 5 Drawing Sheets**



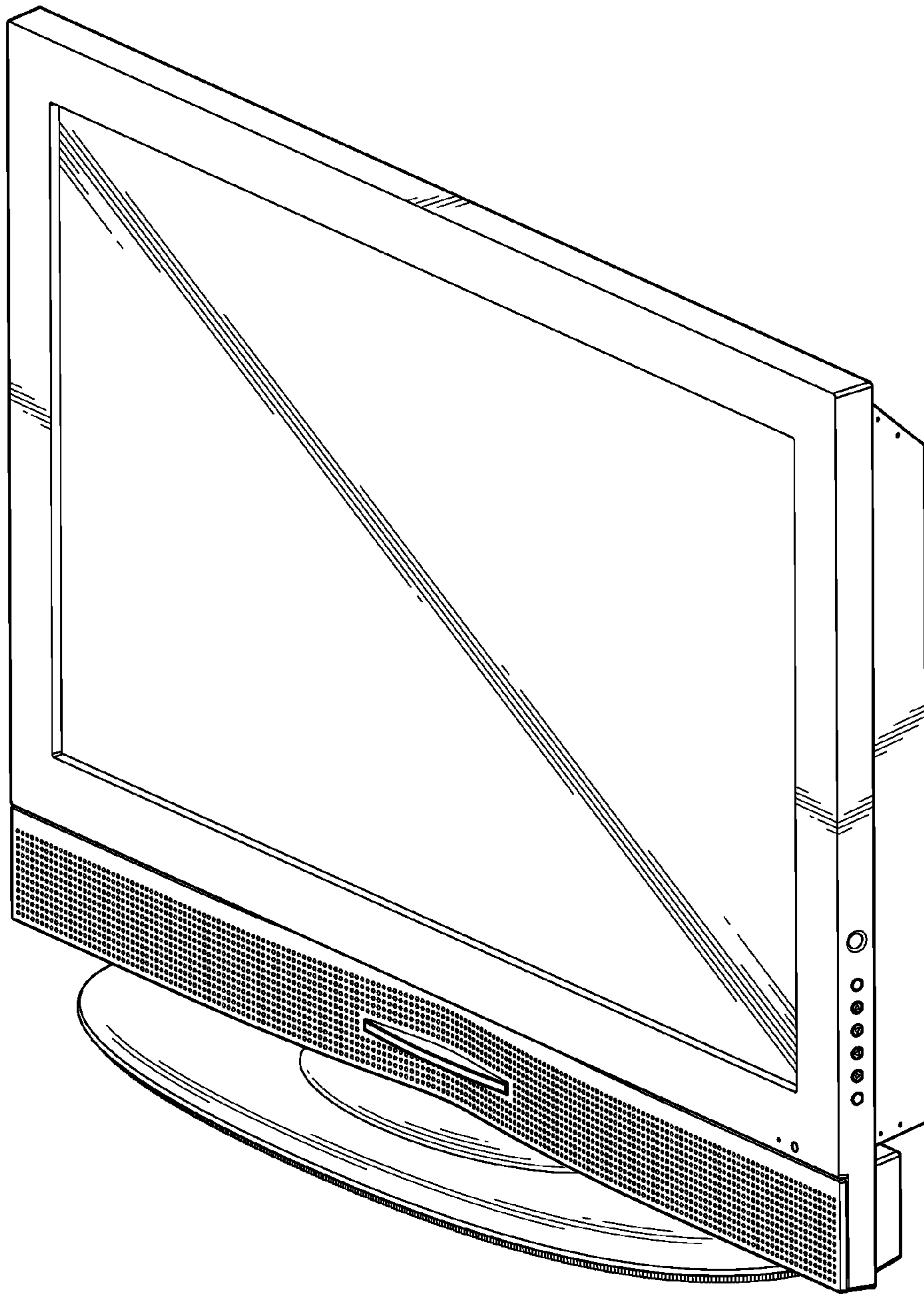


FIG. 1

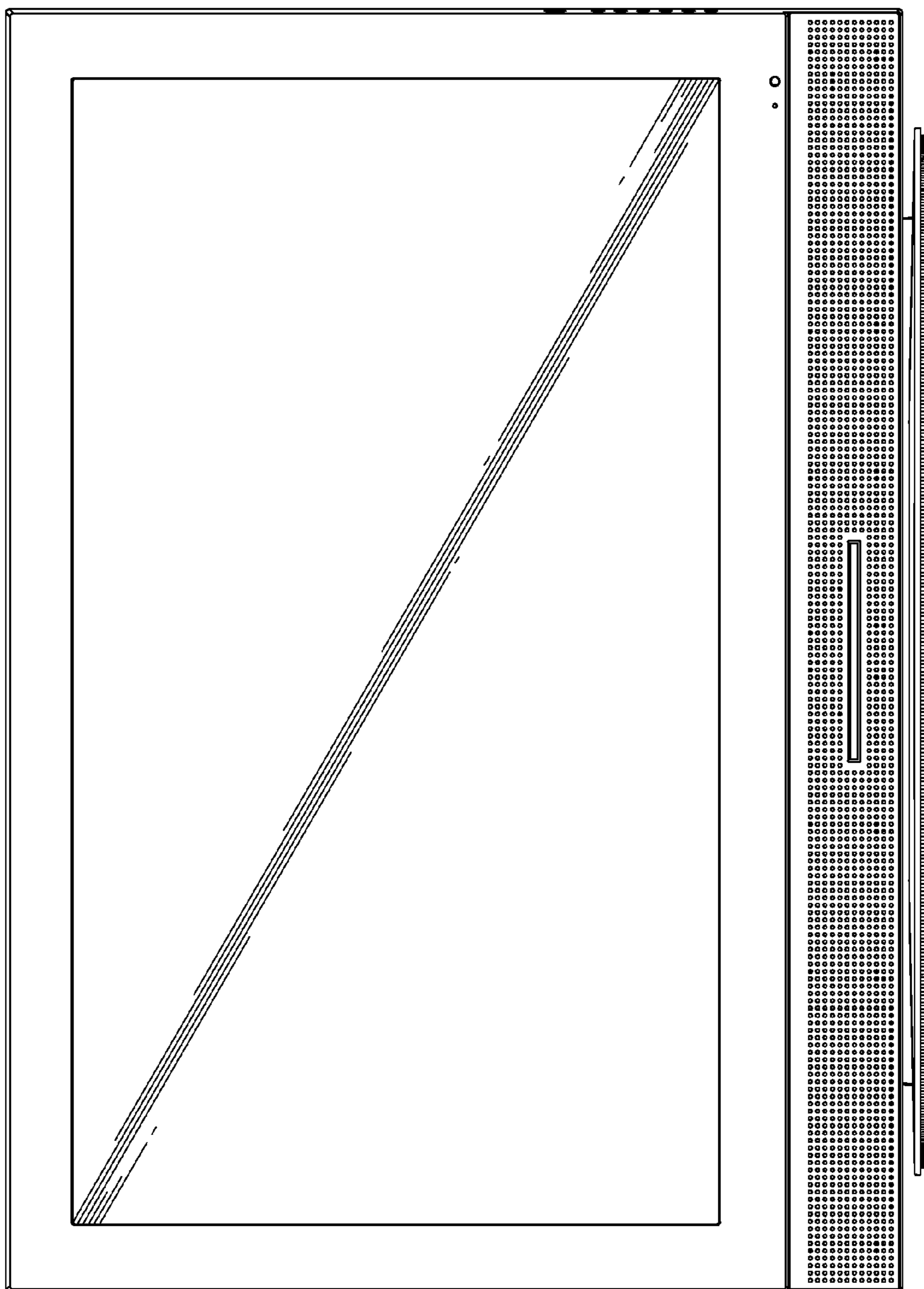


FIG.2

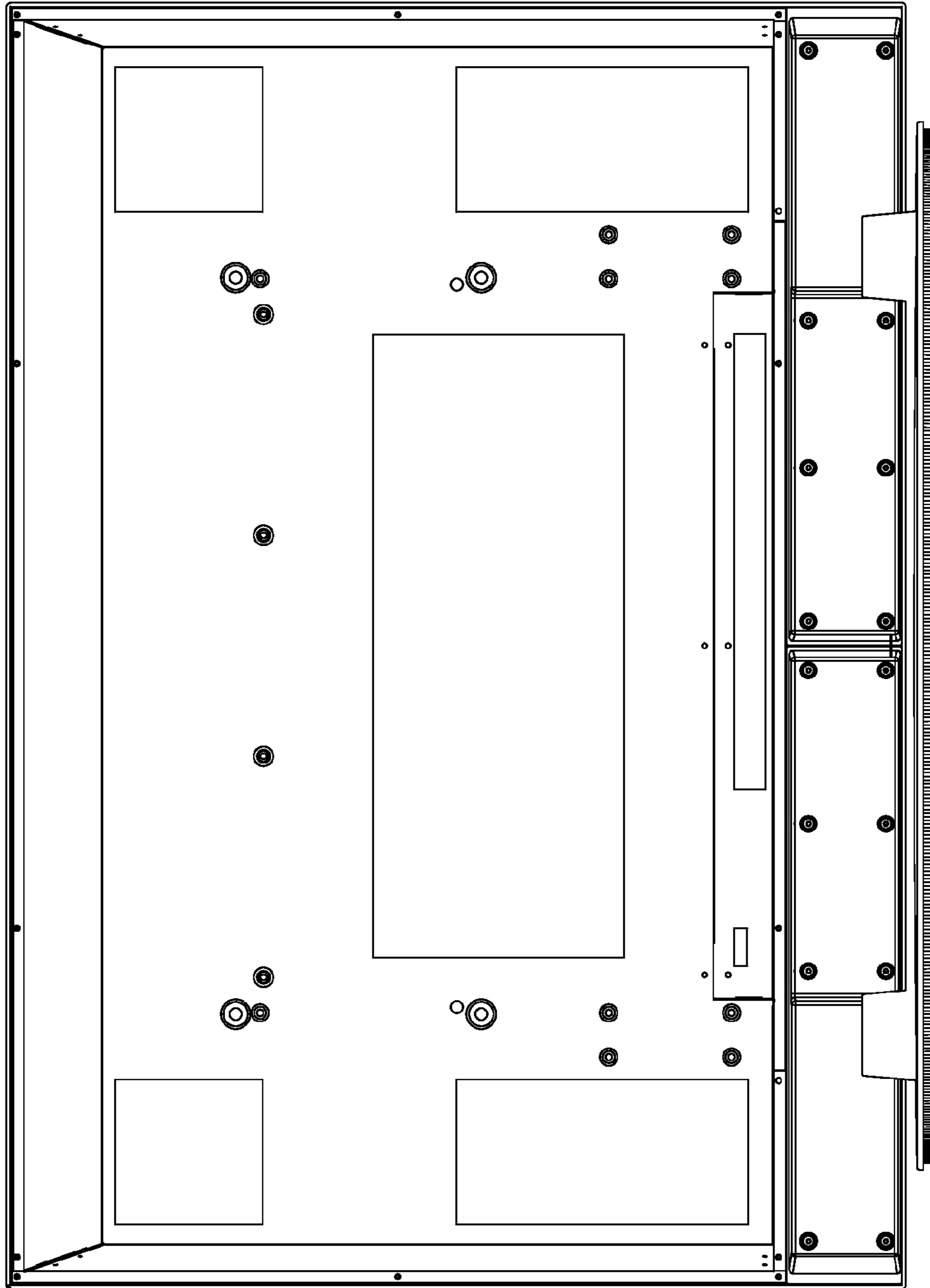


FIG.3

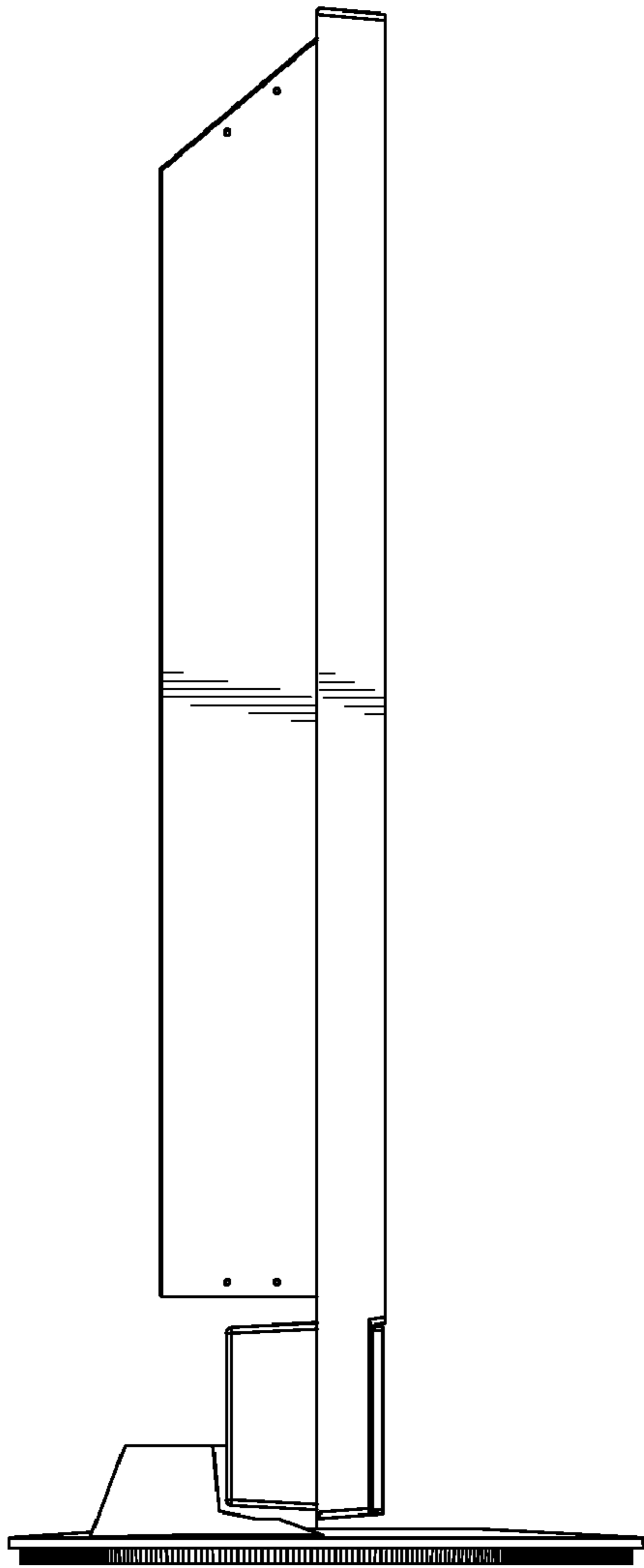


FIG.4

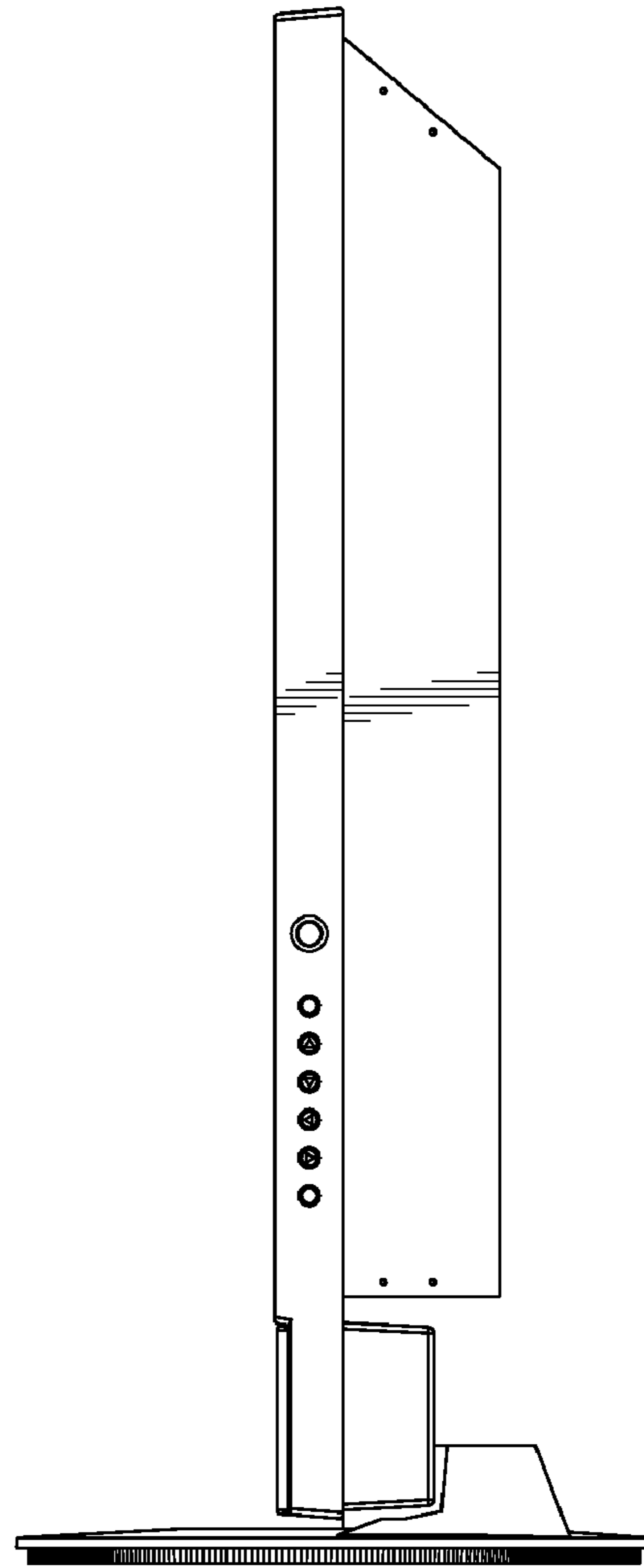


FIG.5

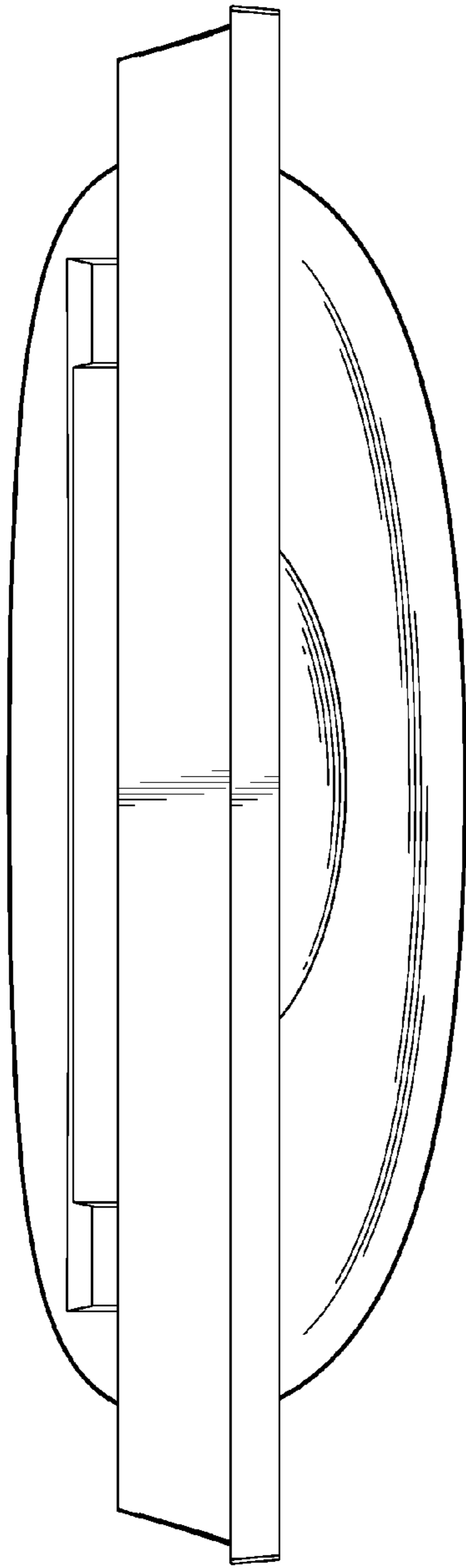


FIG. 6

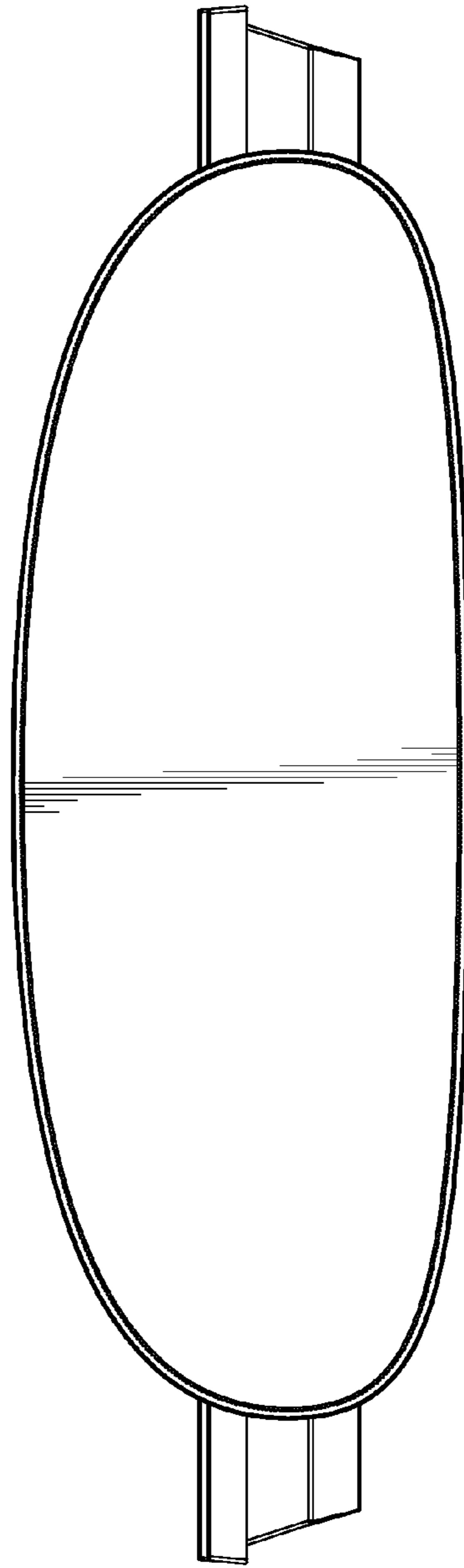


FIG. 7