



US00D567195S

(12) **United States Design Patent**
Shih

(10) **Patent No.:** **US D567,195 S**
(45) **Date of Patent:** **** Apr. 22, 2008**

(54) **MONITOR**

(75) Inventor: **Wei-Ming Shih**, Chung Ho (TW)

(73) Assignee: **AmTran Technology Co., Ltd.**, Taipei (TW)

(**) Term: **14 Years**

(21) Appl. No.: **29/264,777**

(22) Filed: **Aug. 18, 2006**

(30) **Foreign Application Priority Data**

May 10, 2006 (TW) 95302519

(51) **LOC (8) Cl.** **14-03**

(52) **U.S. Cl.** **D14/126**

(58) **Field of Classification Search** D14/125-134,
D14/239, 371, 136, 374-377; 312/7.2; 348/836,
348/838, 180, 184, 325, 739; 341/12; 248/917-924,
248/465, 123.11; 345/104, 133, 156, 168,
345/87, 173, 169; 349/1, 2, 11, 62; 720/605,
720/669, 600, 655, 99, 197; 455/344-347;
369/99, 197

See application file for complete search history.

(56) **References Cited**

U.S. PATENT DOCUMENTS

D510,730 S * 10/2005 Asanuma et al. D14/126
D510,732 S * 10/2005 Maeda et al. D14/129

D528,114 S * 9/2006 Kawa et al. D14/375
D540,285 S * 4/2007 Kita D14/126
D544,850 S * 6/2007 Kita D14/126
D555,119 S * 11/2007 Shih D14/126
D557,227 S * 12/2007 Isshiki D14/126

OTHER PUBLICATIONS

Sound & Vision, May 2006 vol. 71 Issue: 4.

* cited by examiner

Primary Examiner—Raphael Barkai

Assistant Examiner—Randall H Gholson

(74) *Attorney, Agent, or Firm*—Rabin & Berdo, P.C.

(57) **CLAIM**

The ornamental design for a “monitor,” as shown and described.

DESCRIPTION

FIG. 1 is a perspective view of monitor showing my new design;

FIG. 2 is a front view thereof;

FIG. 3 is a rear view thereof;

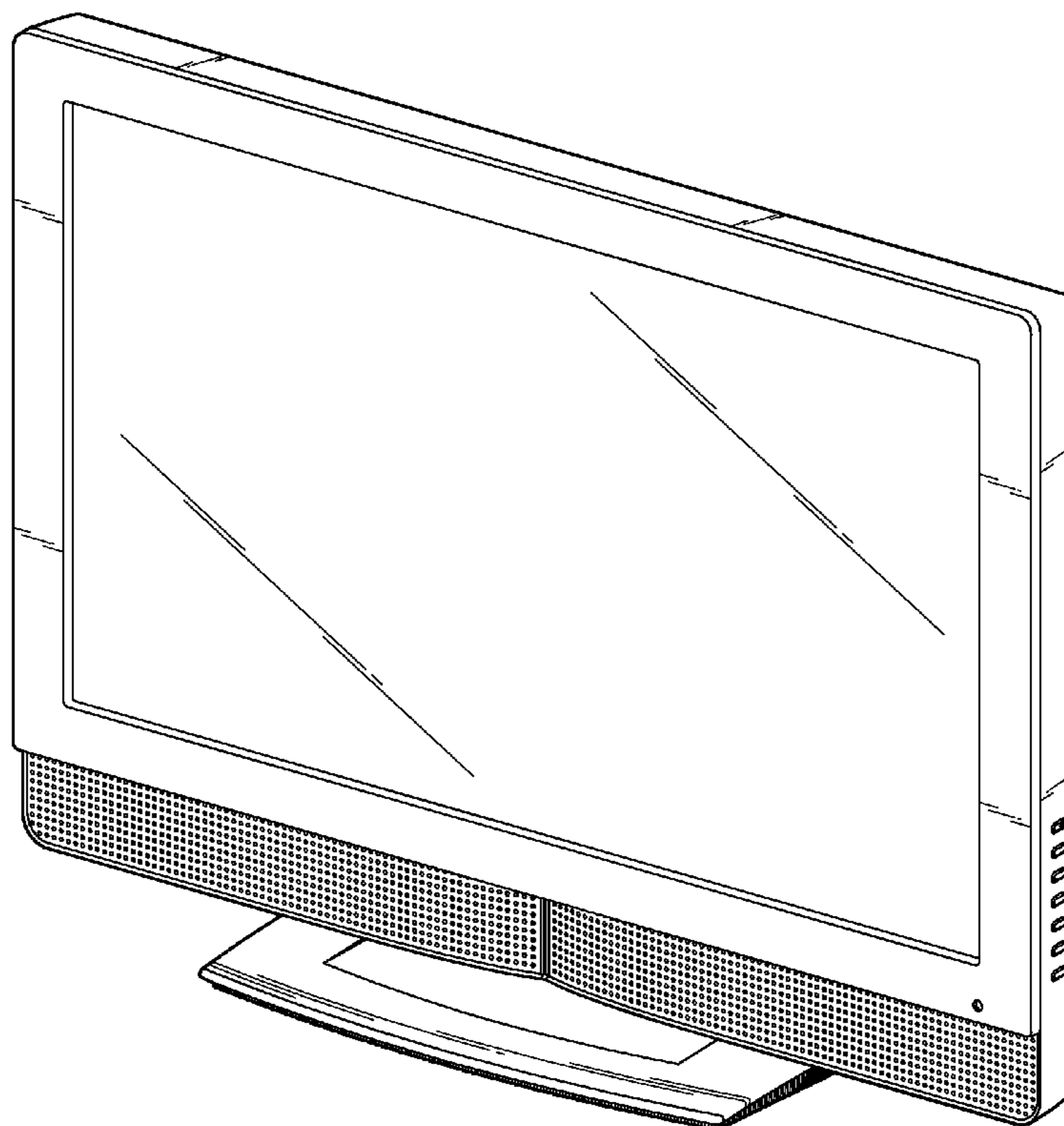
FIG. 4 is a left side elevational view thereof;

FIG. 5 is a right side elevational view thereof;

FIG. 6 is a top view thereof; and,

FIG. 7 is a bottom view thereof.

1 Claim, 5 Drawing Sheets



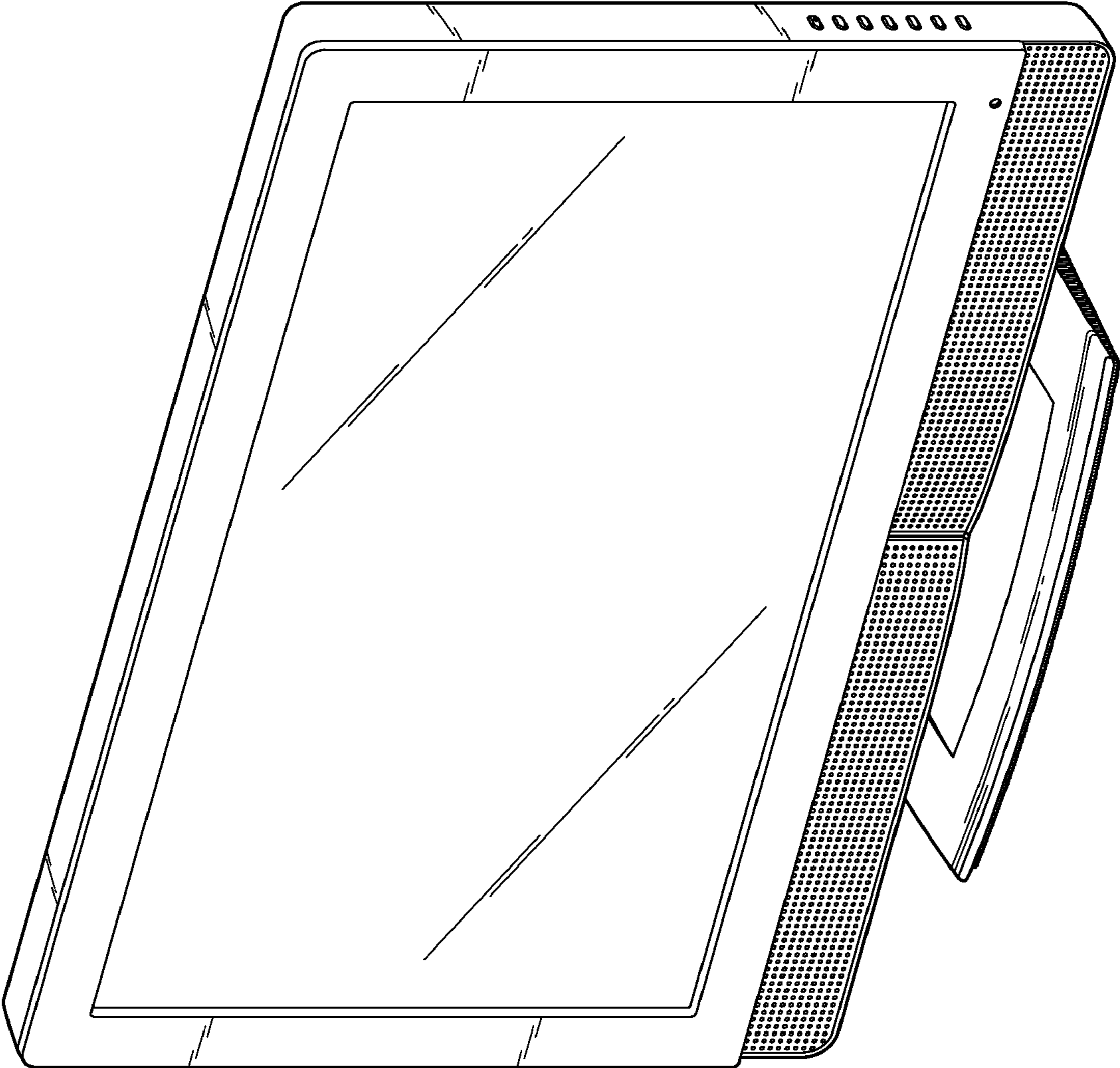


FIG. 1

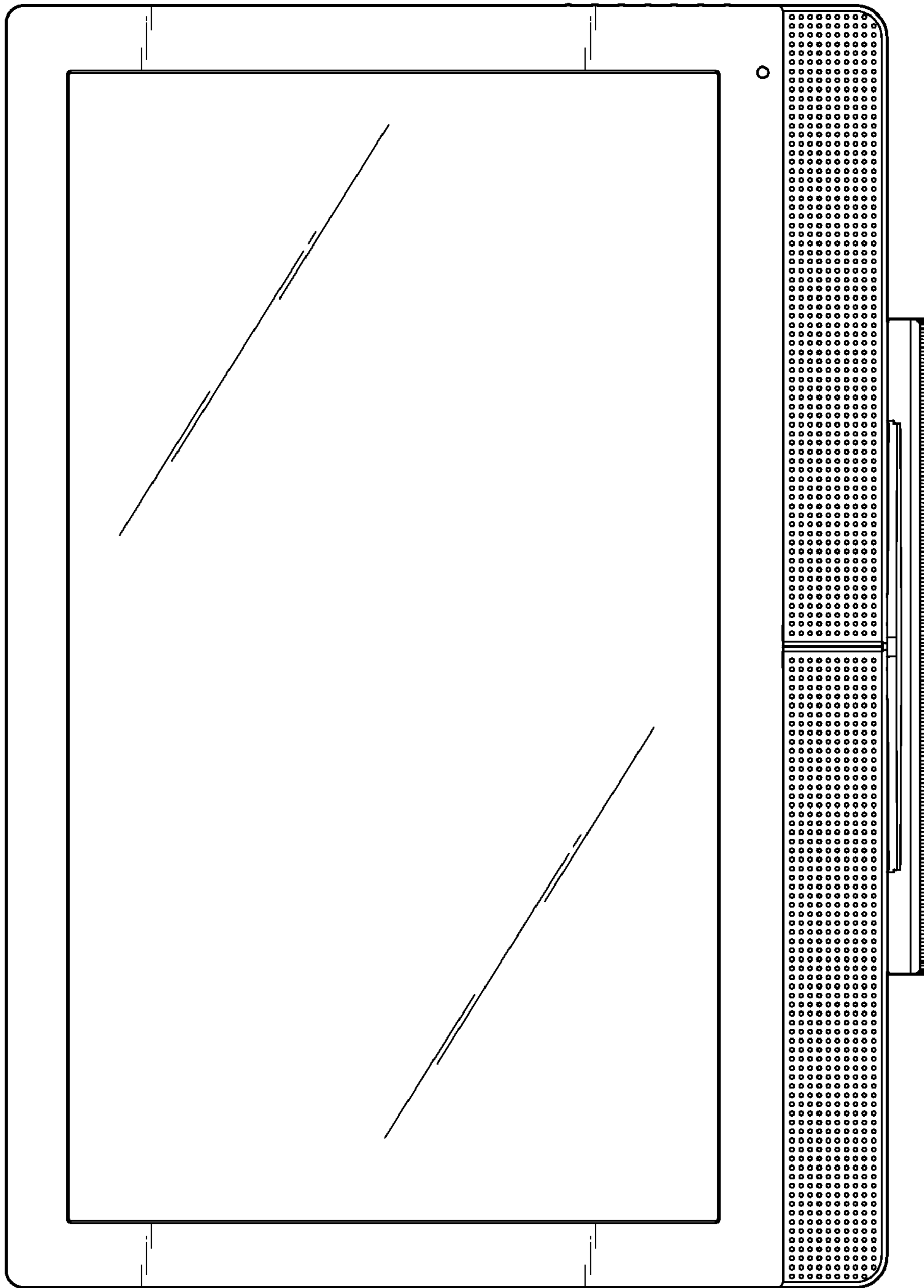


FIG.2

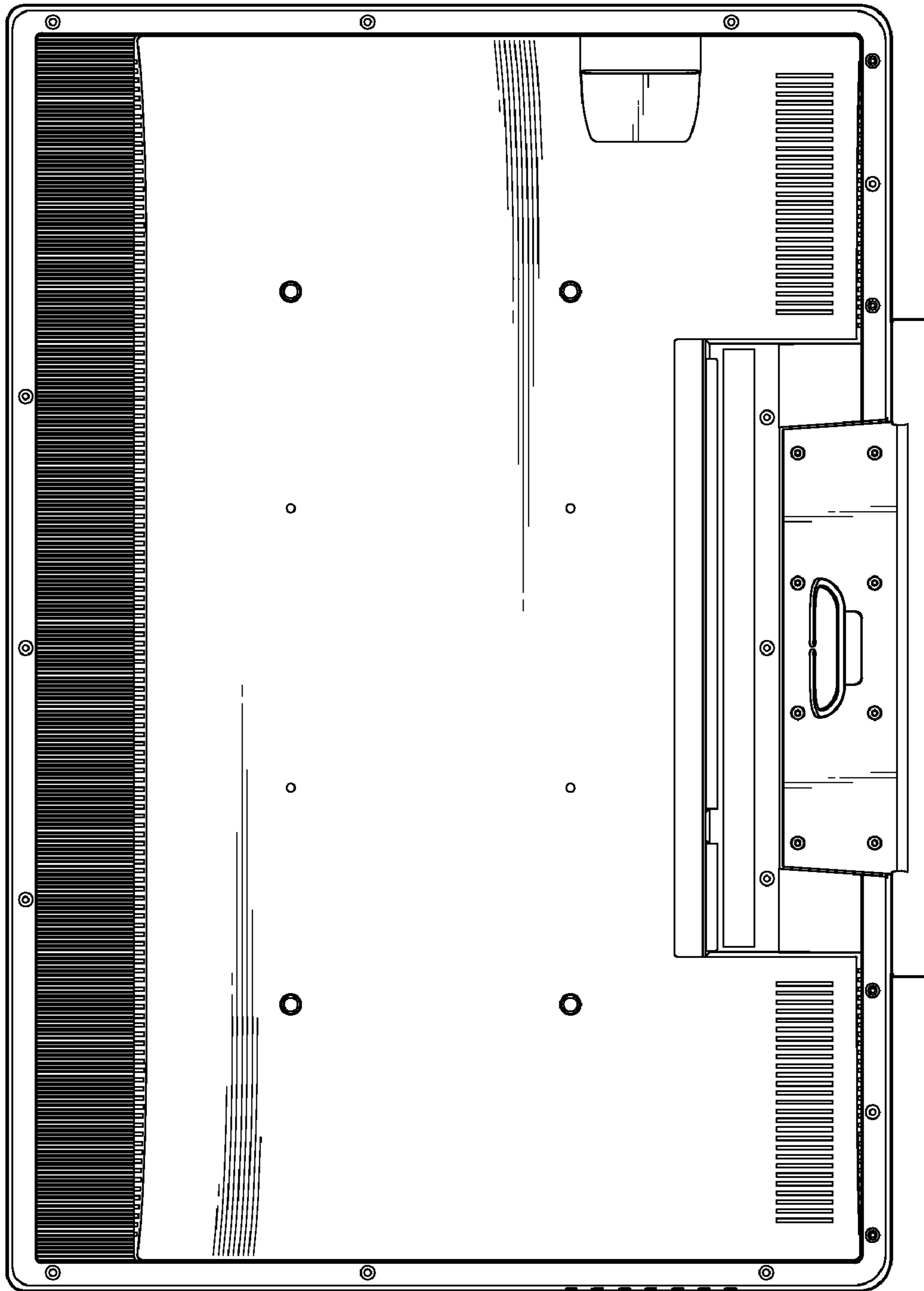


FIG.3

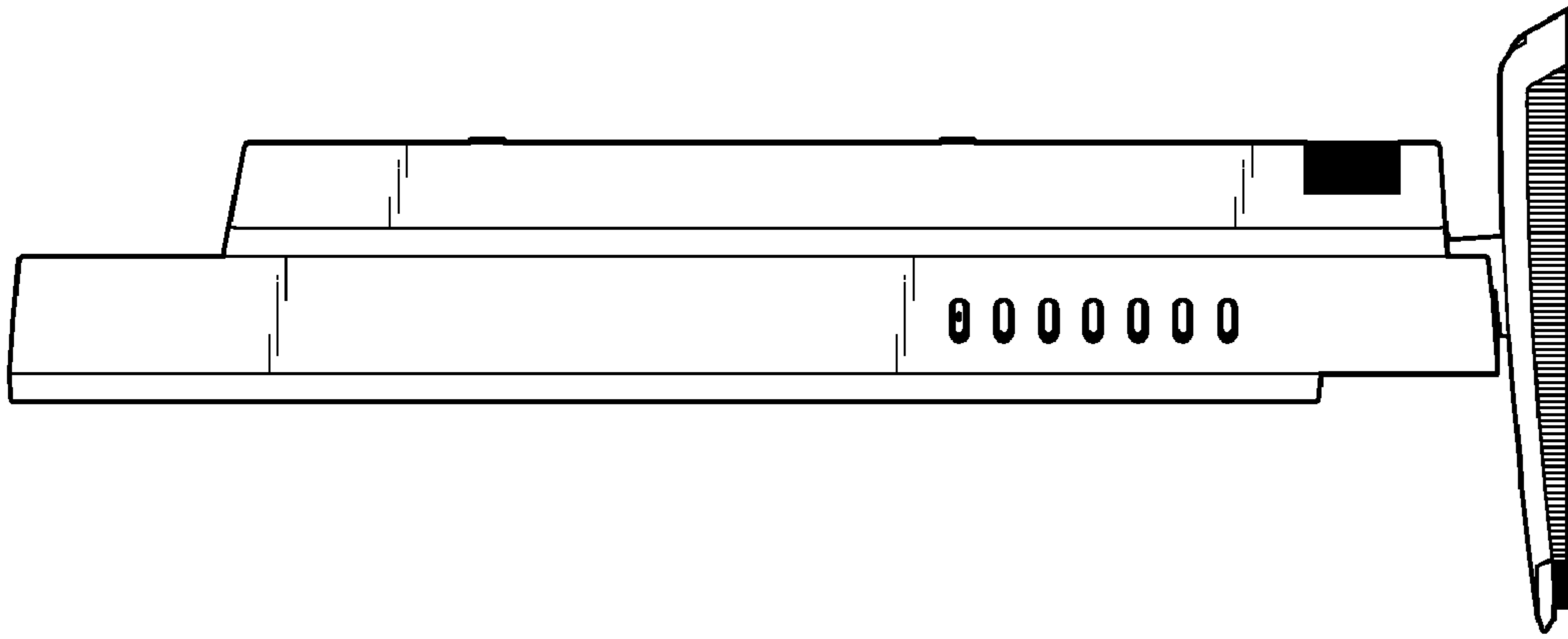


FIG. 5

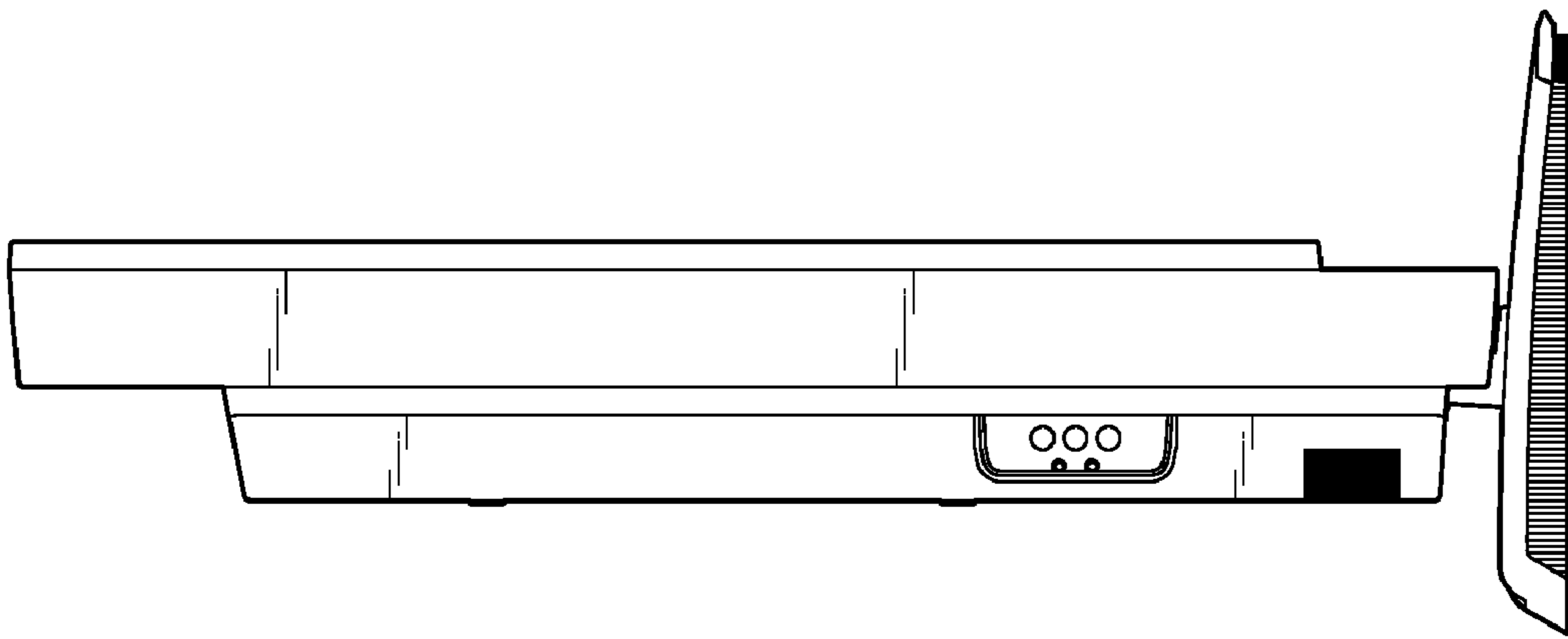


FIG. 4

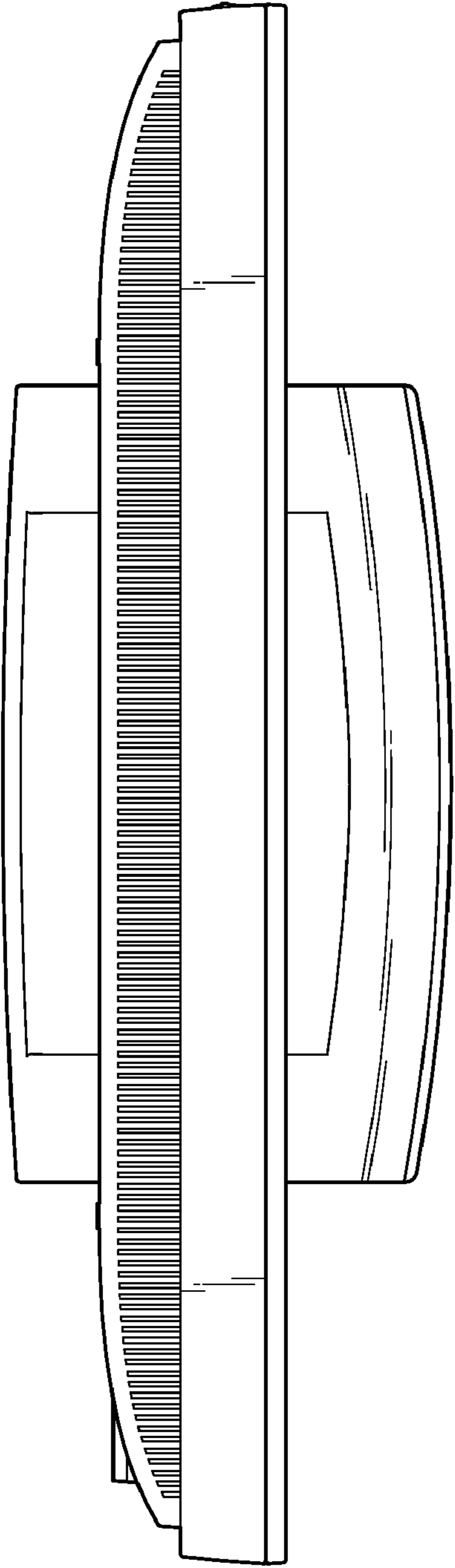


FIG. 6

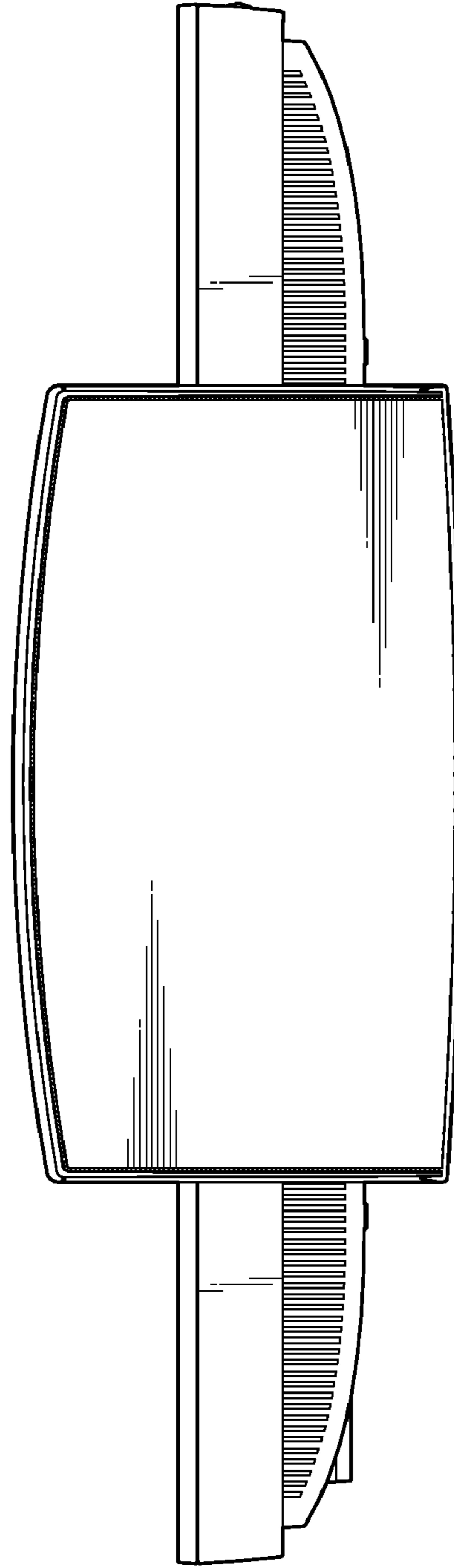


FIG. 7