



US00D567194S

(12) **United States Design Patent**
Inaba

(10) **Patent No.:** **US D567,194 S**
(45) **Date of Patent:** **** Apr. 22, 2008**

(54) **TELEVISION RECEIVER**

(75) Inventor: **Junichi Inaba**, Tokyo (JP)

(73) Assignee: **Pioneer Corporation**, Tokyo (JP)

(**) Term: **14 Years**

(21) Appl. No.: **29/239,067**

(22) Filed: **Sep. 27, 2005**

(30) **Foreign Application Priority Data**

Jun. 21, 2005 (JP) 2005-017898

(51) **LOC (8) Cl.** **14-03**

(52) **U.S. Cl.** **D14/126**

(58) **Field of Classification Search** D14/125-134,
D14/239, 371, 136, 374-377; 312/7.2; 348/836,
348/838, 180, 184, 325, 739; 341/12; 248/917-924,
248/465; 345/104, 133, 156, 168, 87, 173;
720/605, 669, 600, 655; 369/99, 197; 455/344-347
See application file for complete search history.

(56) **References Cited**

U.S. PATENT DOCUMENTS

- D417,659 S * 12/1999 Takemasa D14/374
- D431,537 S * 10/2000 Saeki et al. D14/126
- D458,236 S * 6/2002 Bong et al. D14/126
- D492,270 S * 6/2004 Natori et al. D14/126
- D499,387 S * 12/2004 Liu et al. D14/126
- D524,764 S * 7/2006 Inaba D14/126
- D532,388 S * 11/2006 Lee et al. D14/126
- D537,800 S * 3/2007 McEachern et al. D14/126
- D540,754 S * 4/2007 Zheng et al. D14/126

FOREIGN PATENT DOCUMENTS

JP 1123863 S 10/2001

JP	1157263 S	11/2002
JP	1202074 S	4/2004
JP	1202108 S	4/2004
JP	1203214 S	4/2004
JP	1203951 S	4/2004
JP	1226033 S	12/2004
JP	1234221 S	3/2005
JP	1234651 S	3/2005

* cited by examiner

Primary Examiner—Raphael Barkai
(74) *Attorney, Agent, or Firm*—Sughrue Mion, PLLC

(57) **CLAIM**

The ornamental design for a television receiver, as shown and described.

DESCRIPTION

FIG. 1 is a front view of a television receiver showing my new design;

FIG. 2 is a rear view thereof;

FIG. 3 is a top plan view thereof;

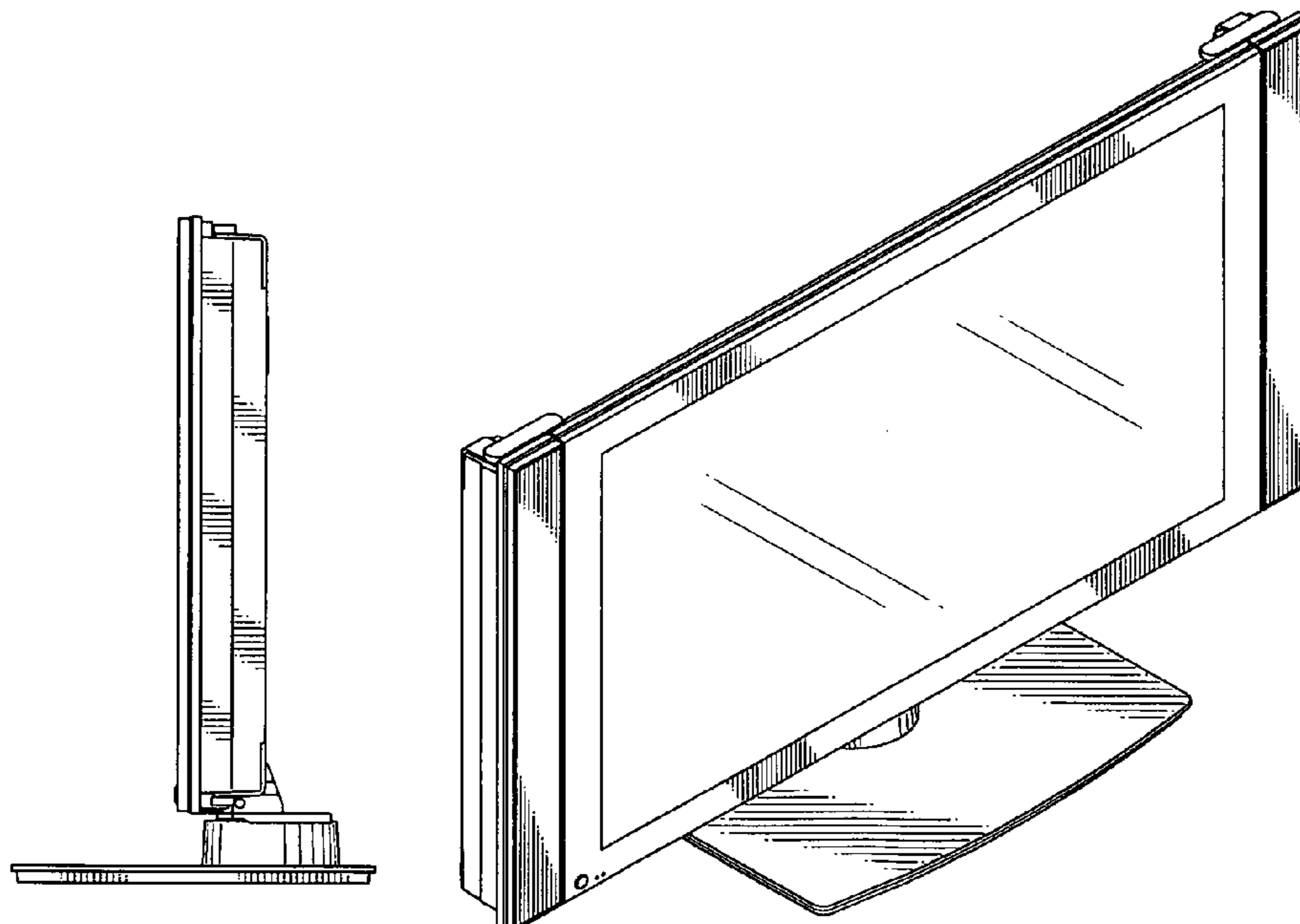
FIG. 4 is a bottom view thereof;

FIG. 5 is a right side view, a left side view being a mirror image thereof;

FIG. 6 is a perspective view thereof; and,

FIG. 7 is a front reference view in the condition of the speakers being drawn out thereof.

1 Claim, 4 Drawing Sheets



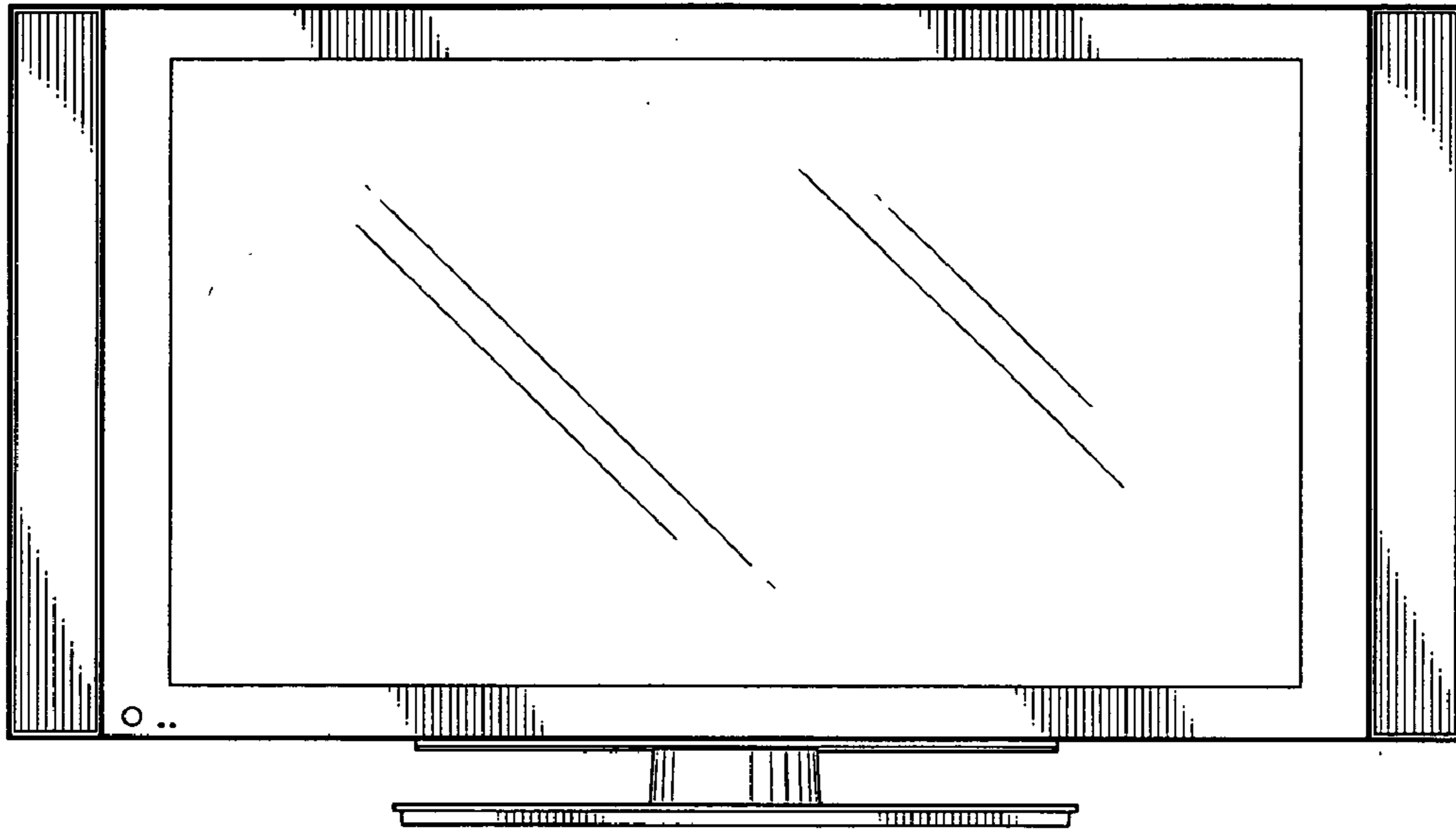


FIG. 1

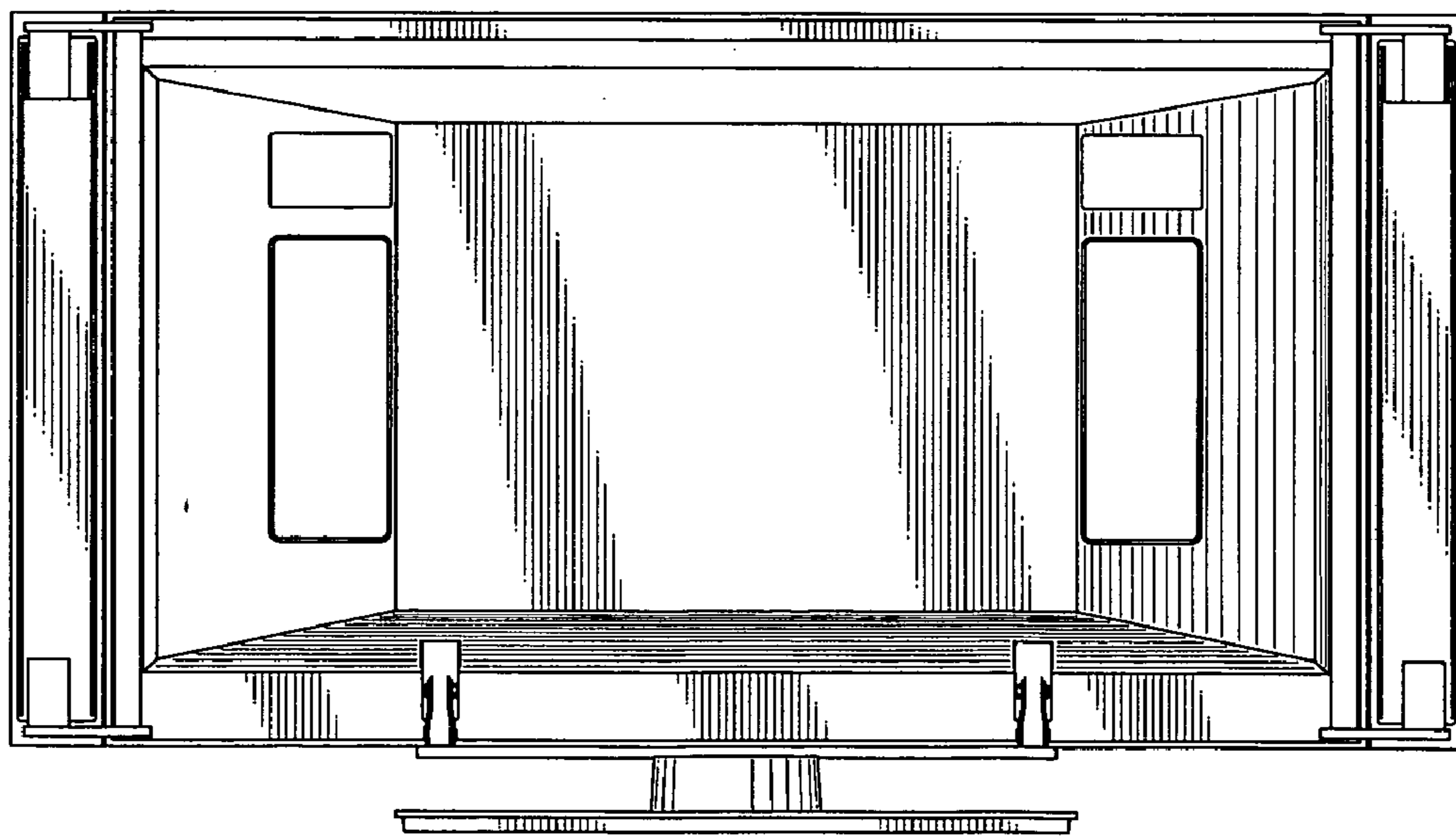


FIG. 2

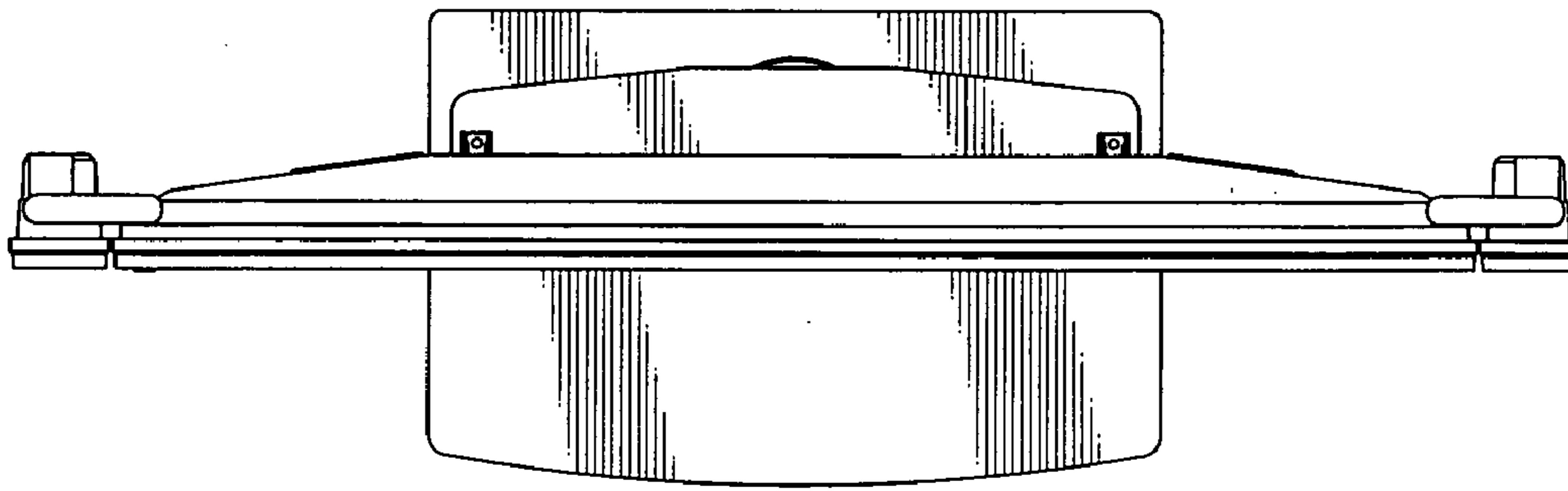


FIG. 3

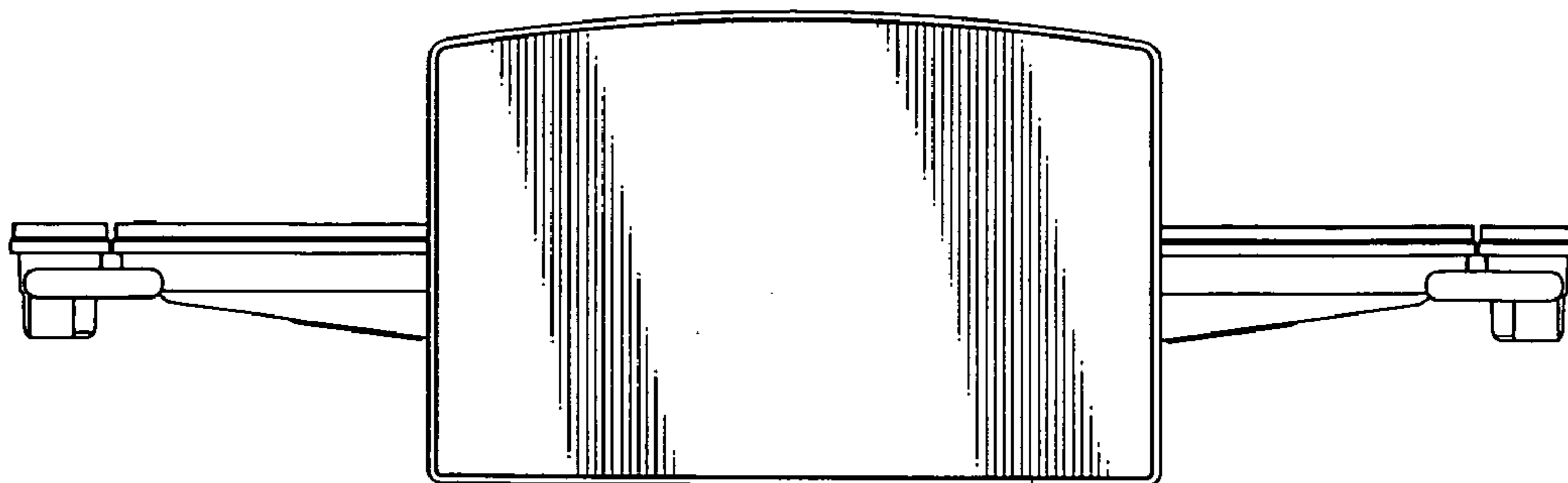


FIG. 4

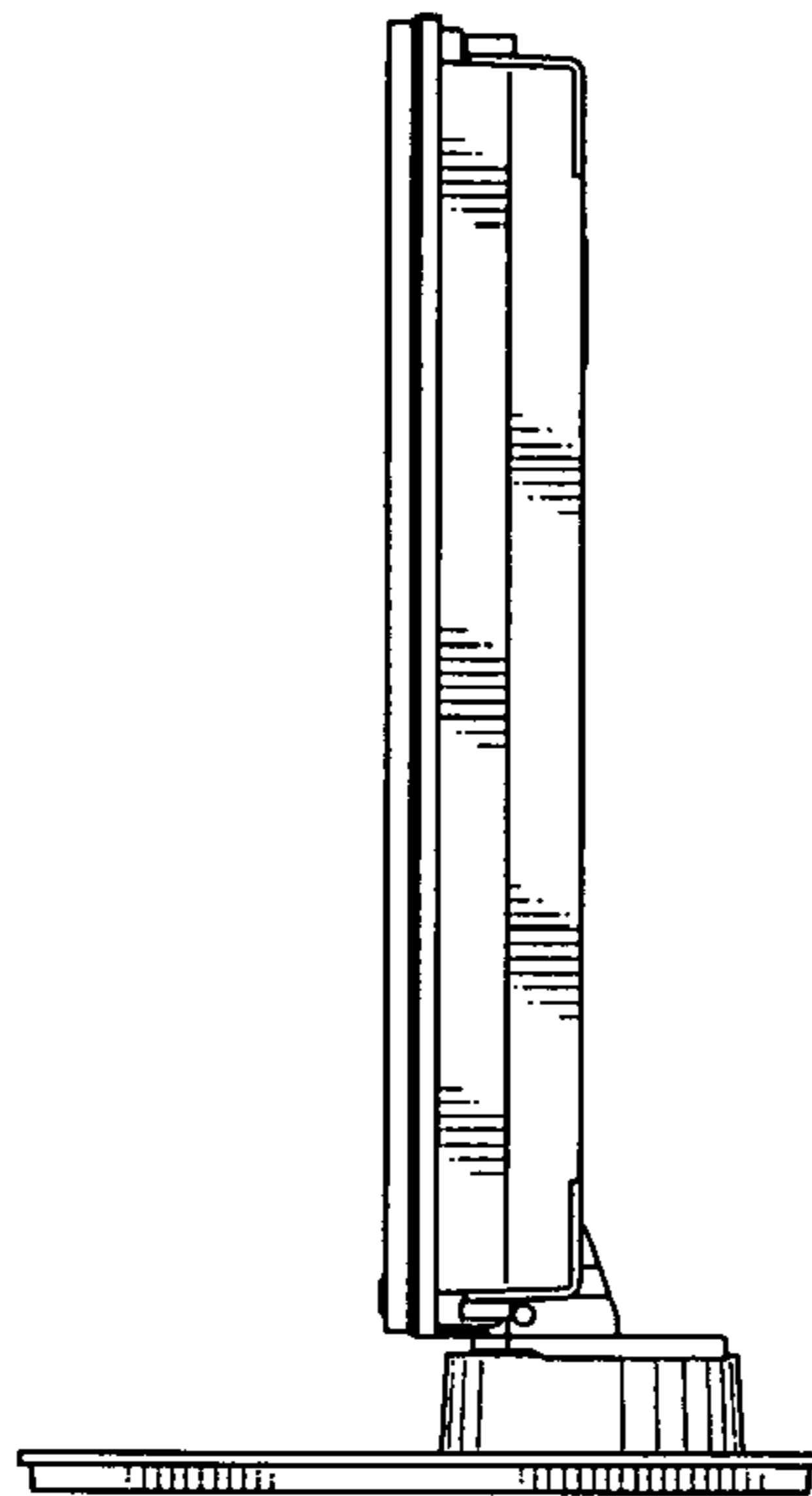


FIG. 5

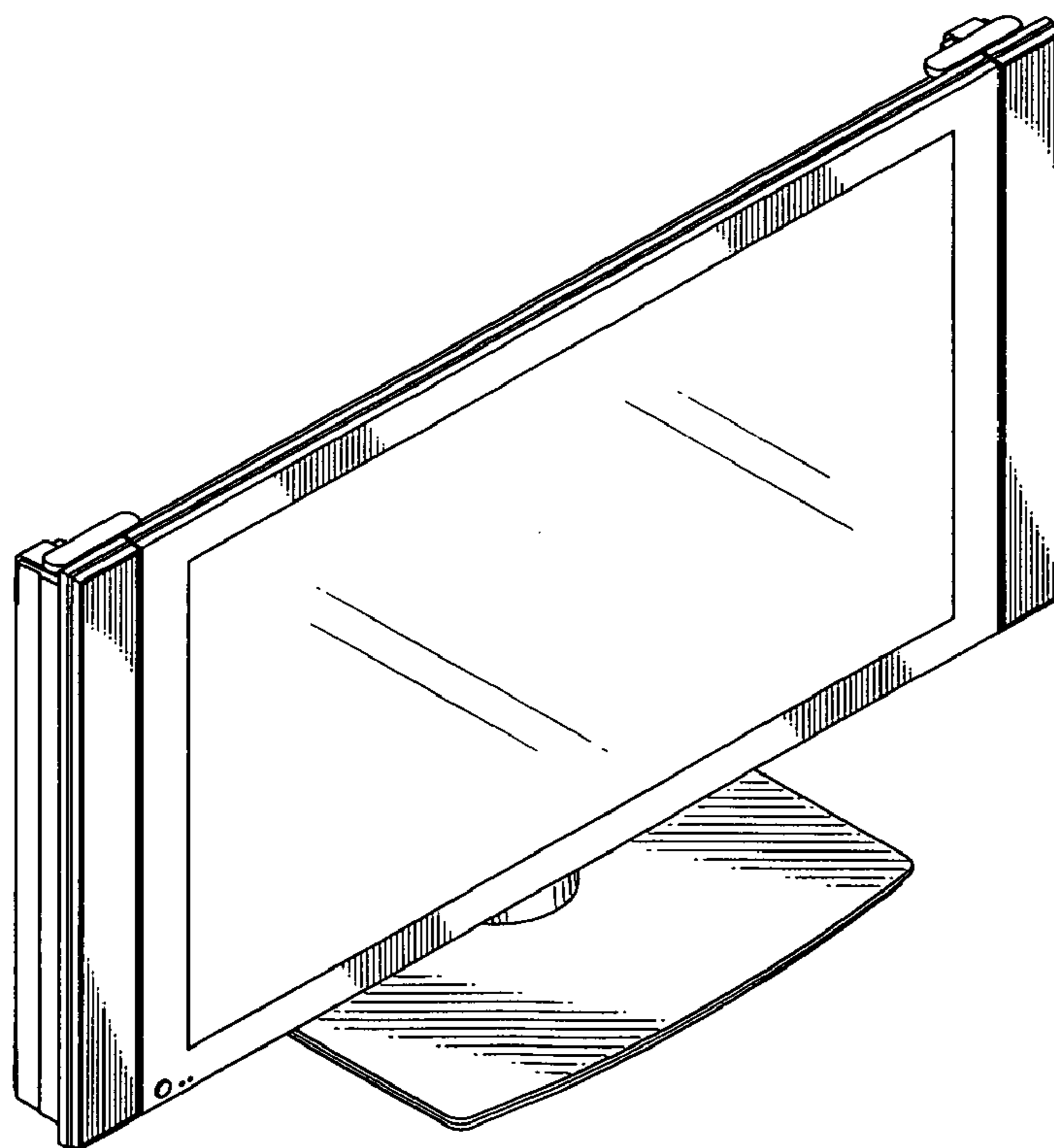


FIG. 6

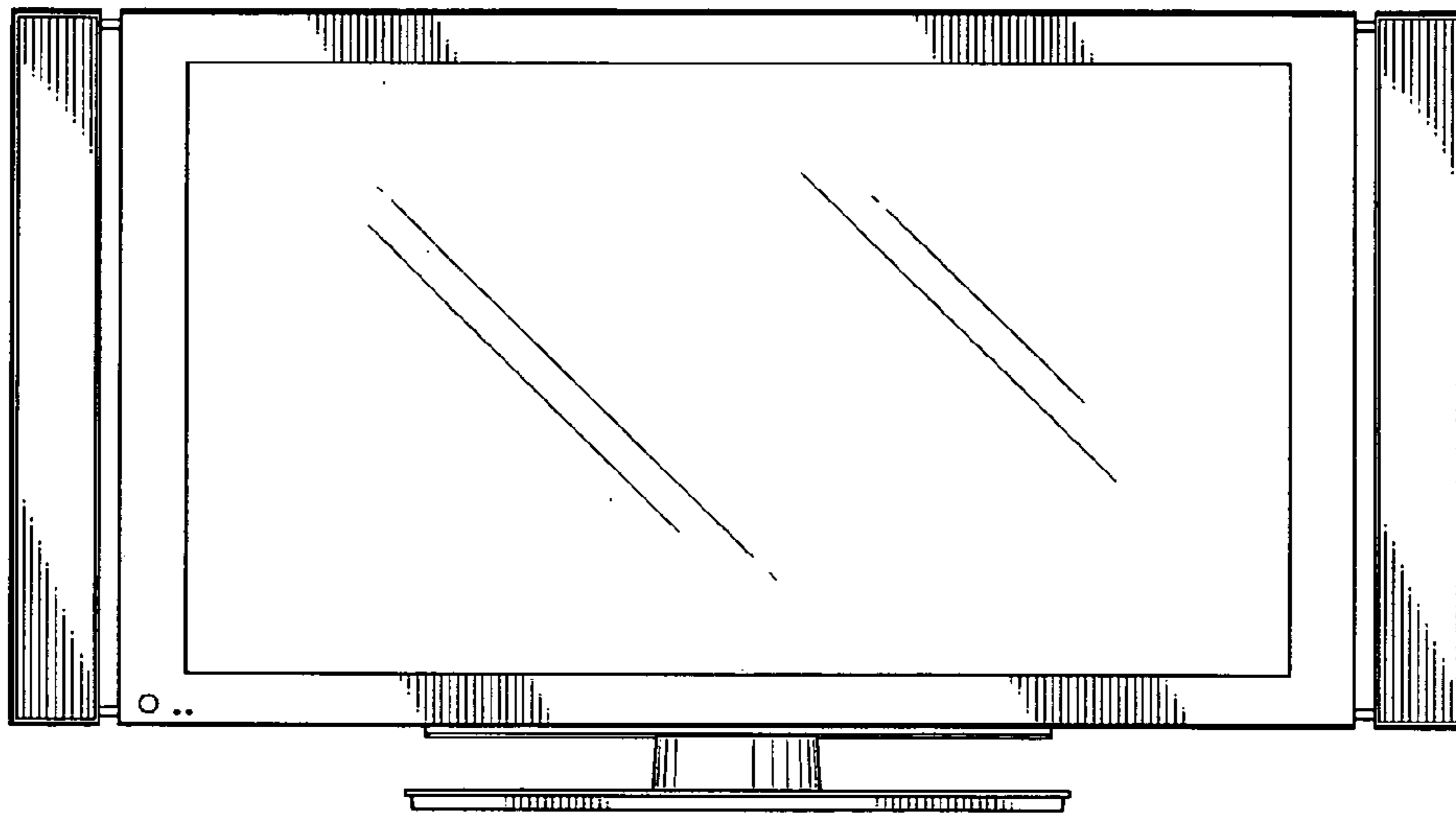


FIG. 7