



US00D567193S

(12) **United States Design Patent** (10) **Patent No.:** **US D567,193 S**
Kang et al. (45) **Date of Patent:** **** Apr. 22, 2008**

(54) **SETOP BOX** D558,158 S * 12/2007 Ding et al. D14/125

(75) Inventors: **Yun-Je Kang**, Seoul (KR); **Jun-Ho Yang**, Seoul (KR); **Jae-Seung Song**, Seoul (KR)

(73) Assignee: **Samsung Electronics Co., Ltd.**, Suwon, Kyunggi-Do (KR)

(**) Term: **14 Years**

(21) Appl. No.: **29/289,226**

(22) Filed: **Jul. 12, 2007**

(51) **LOC (8) Cl.** **14-03**

(52) **U.S. Cl.** **D14/125**

(58) **Field of Classification Search** D14/125-134, D14/239, 371, 136, 374-377; 312/7.2; 348/836, 348/838, 180, 184, 325, 739; 341/12; 248/917-924, 248/465, 123.11; 345/104, 133, 156, 168, 345/87, 173, 169; 349/1, 2, 11, 62; 720/605, 720/669, 600, 655, 99, 197; 455/344-347; 369/99, 197

See application file for complete search history.

(56) **References Cited**

U.S. PATENT DOCUMENTS

D322,963 S	*	1/1992	Kittirutsunetorn	D14/242
D407,393 S	*	3/1999	Kazama	D14/125
D416,562 S	*	11/1999	Larson et al.	D14/242
D420,676 S	*	2/2000	Wang et al.	D14/242
D439,886 S	*	4/2001	Frank	D14/125
D513,240 S	*	12/2005	Uehara	D14/125
D524,286 S	*	7/2006	Sogabe	D14/168
D529,879 S		10/2006	Park et al.		
D533,157 S		12/2006	Park		
D541,811 S		5/2007	Park		
D544,455 S		6/2007	Park et al.		
D545,774 S		7/2007	Woo et al.		

OTHER PUBLICATIONS

U.S. Appl. No. 29/256,400, Applicant: Yun-Jin Park, et al., filed Mar. 20, 2006 entitled Front Portion of a Set Top Box.

U.S. Appl. No. 29/259,095, Applicant: Ju-Won Cho, et al., filed May 2, 2006 entitled Setop Box.

U.S. Appl. No. 29/286,866, Applicant: Ju-Won Cho, filed May 21, 2007 entitled A/V Receiver.

U.S. Appl. No. 29/288,879, Applicant: Sang-Sung Woo, filed Jun. 25, 2007 entitled Setop Box.

U.S. Appl. No. 29/288,880, Applicant: Bum-Ho Chun, et al., filed Jun. 25, 2007 entitled Setop Box.

U.S. Appl. No. 29/289,225, Applicant: Jin Wook Kim, et al., filed Jul. 12, 2007 entitled Setop Box.

* cited by examiner

Primary Examiner—Raphael Barkai

Assistant Examiner—Randall H Gholson

(74) *Attorney, Agent, or Firm*—Flynn, Thiel, Boutell & Tanis, P.C.

(57) **CLAIM**

The ornamental design for a setop box, as shown and described.

DESCRIPTION

FIG. 1 is a top front perspective view of a setop box showing our new design;

FIG. 2 is a front elevational view thereof;

FIG. 3 is a rear elevational view thereof;

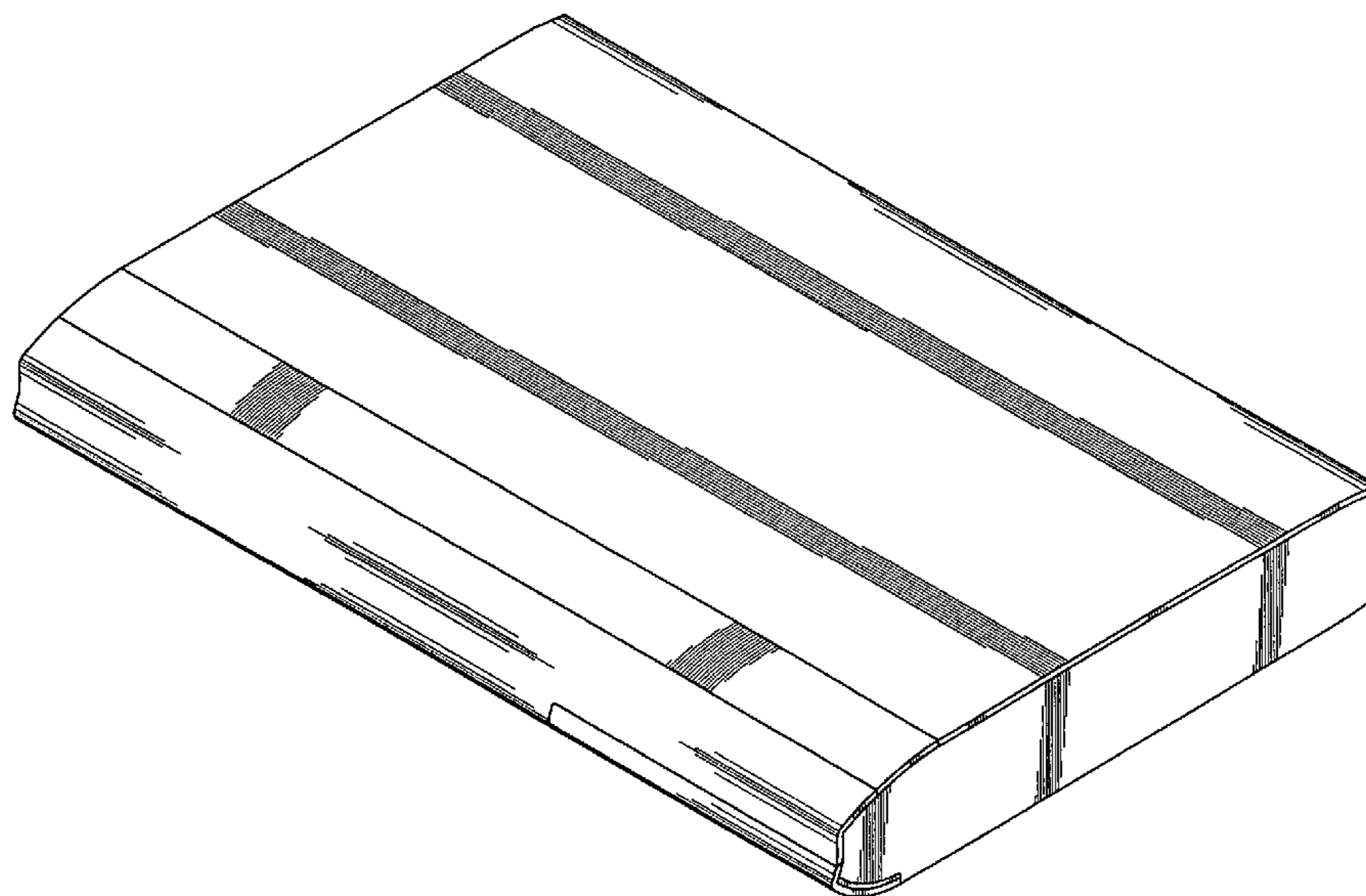
FIG. 4 is a left side elevational view thereof;

FIG. 5 is a right side elevational view thereof;

FIG. 6 is a top plan view thereof; and,

FIG. 7 is a bottom plan view thereof.

1 Claim, 4 Drawing Sheets



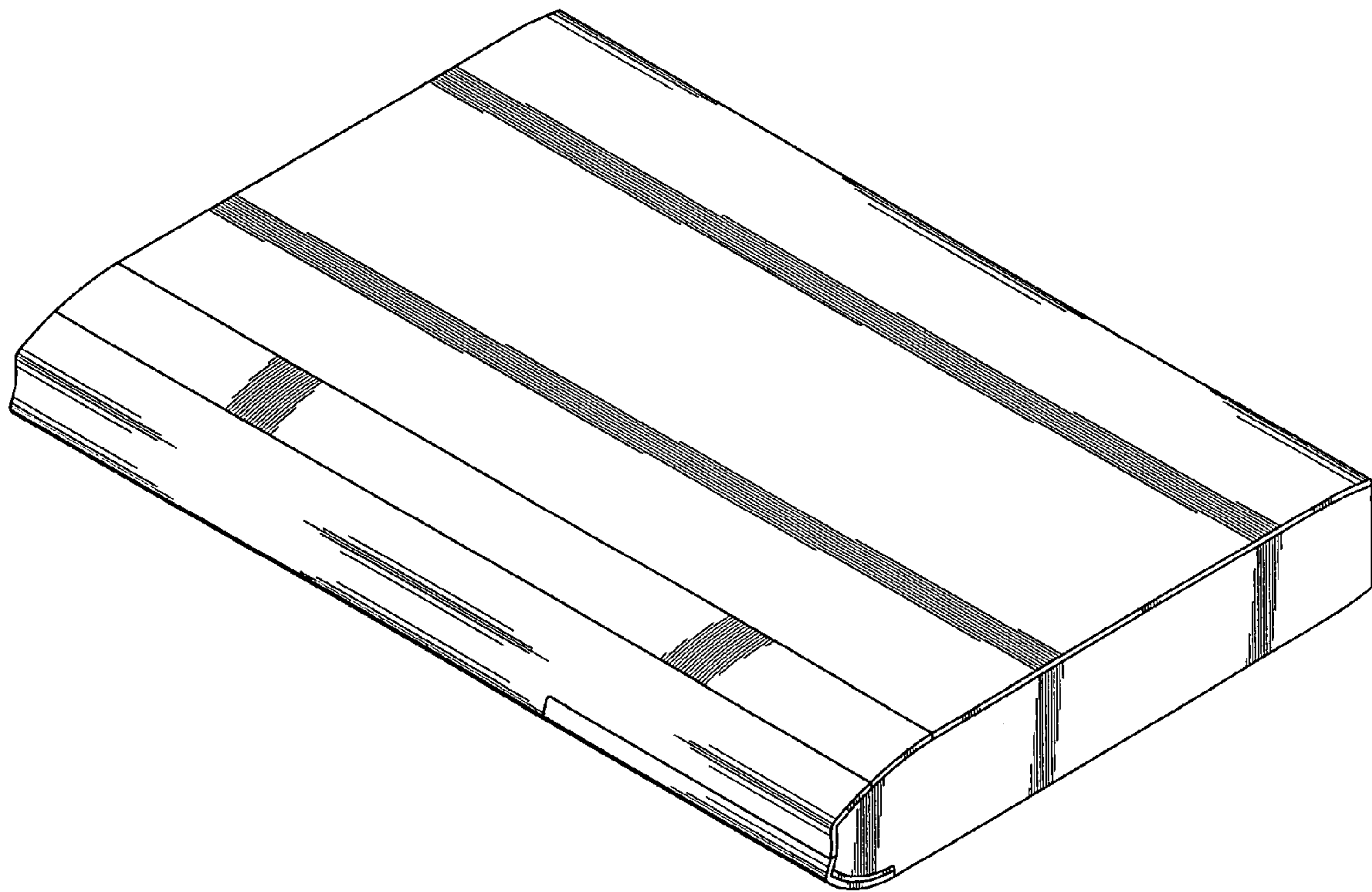


FIG. 1

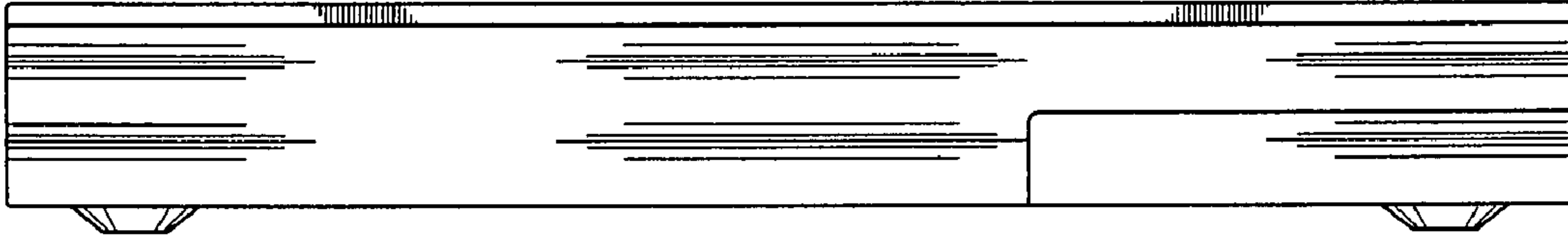


FIG. 2

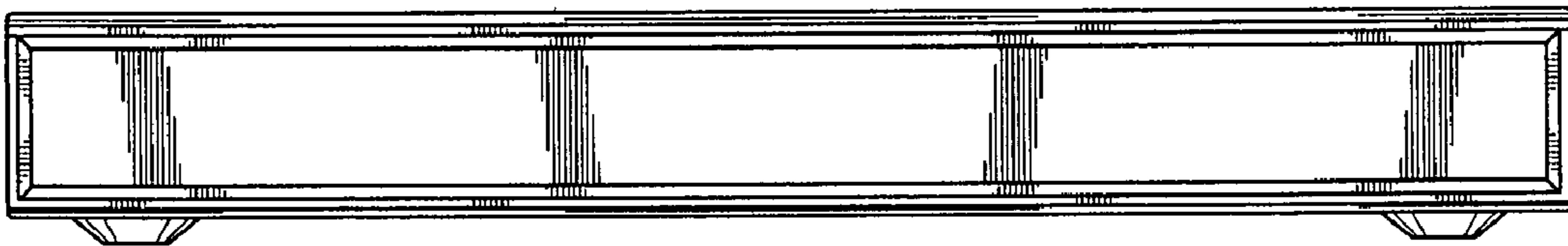


FIG. 3

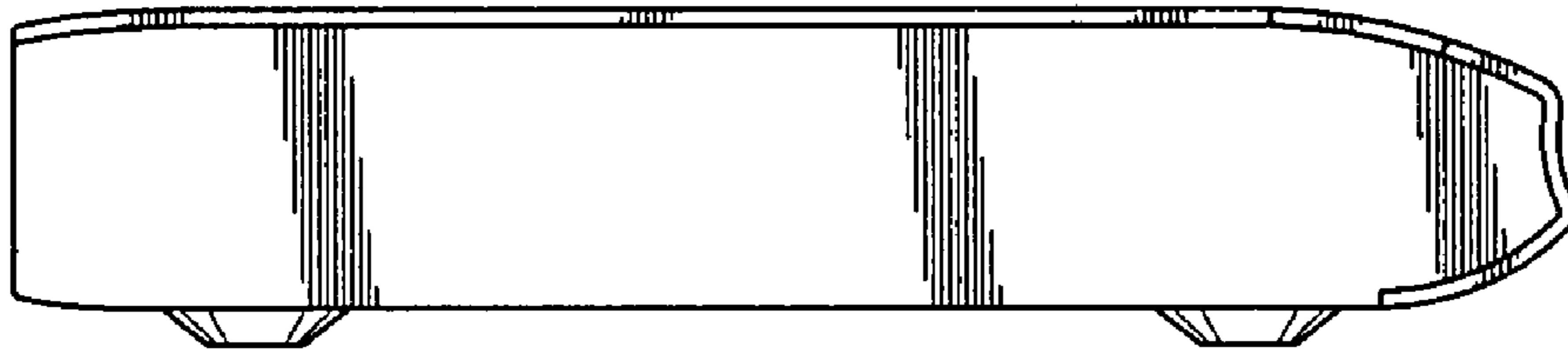


FIG. 4

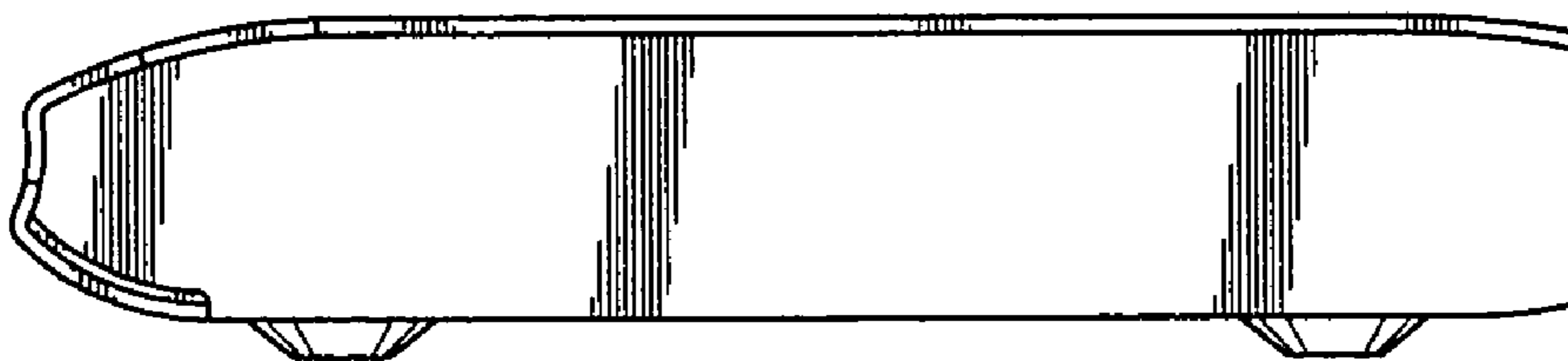


FIG. 5

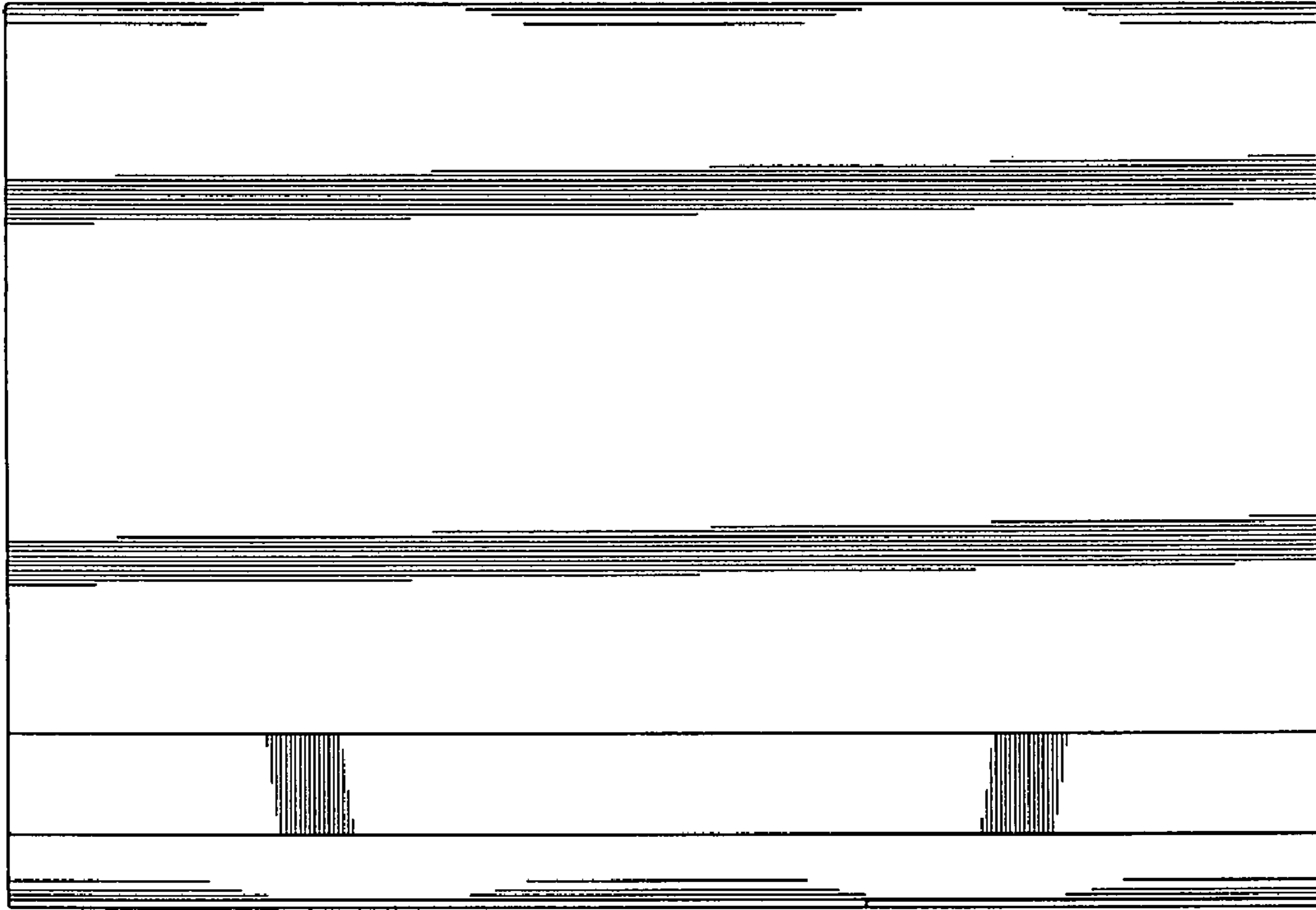


FIG. 6

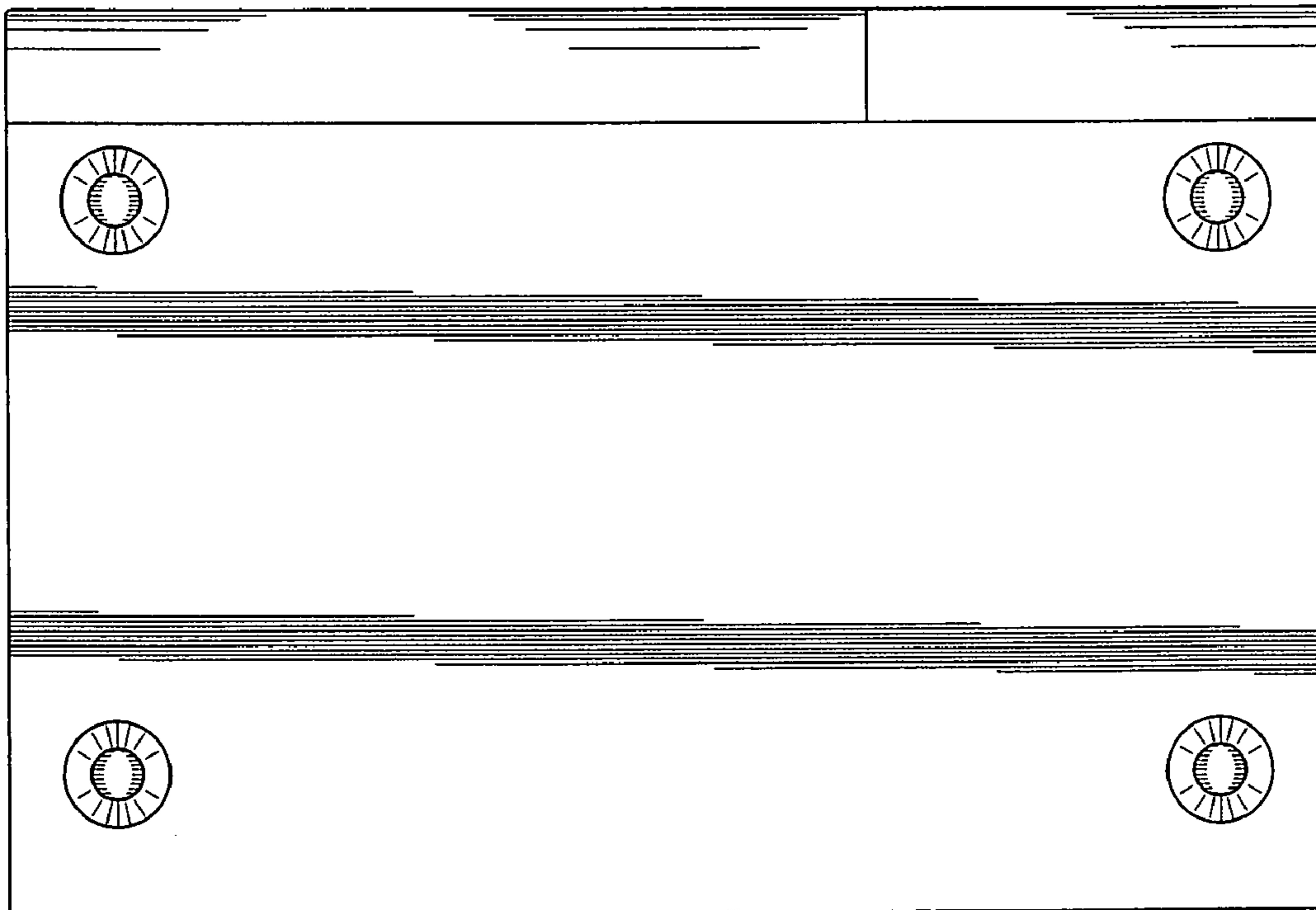


FIG. 7