



US00D567192S

(12) **United States Design Patent**
Lin

(10) **Patent No.:** **US D567,192 S**

(45) **Date of Patent:** **** Apr. 22, 2008**

(54) **HEAT SINK**

(75) Inventor: **Sheng-Huang Lin**, Kaohsiung (TW)

(73) Assignee: **Asia Vital Components Co., Ltd.**,
Kaohsiung (TW)

(**) Term: **14 Years**

(21) Appl. No.: **29/279,641**

(22) Filed: **May 4, 2007**

(51) **LOC (8) Cl.** **13-03**

(52) **U.S. Cl.** **D13/179**

(58) **Field of Classification Search** D13/179;
165/80.3, 104.33, 151, 122, 185; 257/706,
257/707, 718-722; 361/687, 695, 697, 700,
361/702, 704, 709, 710, 711, 719
See application file for complete search history.

(56) **References Cited**

U.S. PATENT DOCUMENTS

6,241,006	B1 *	6/2001	Shih	165/80.3
6,310,774	B1 *	10/2001	Lee	361/704
6,392,885	B1 *	5/2002	Lee et al.	361/697
6,450,248	B1 *	9/2002	Chang	165/80.3
6,450,249	B1 *	9/2002	Liu	165/80.3

6,621,704	B1 *	9/2003	Liu	361/704
6,791,847	B2 *	9/2004	Ma	361/816
D509,486	S *	9/2005	Yu et al.	D13/179
7,233,496	B2 *	6/2007	Lee et al.	361/720
2005/0072555	A1 *	4/2005	Sheng-Hsiung	165/80.3
2006/0042787	A1 *	3/2006	Yu et al.	165/185
2007/0181286	A1 *	8/2007	Wang	165/80.3

* cited by examiner

Primary Examiner—Selina Sikder

(57) **CLAIM**

The ornamental design for a heat sink, as shown.

DESCRIPTION

FIG. 1 is a perspective view of a heat sink showing my new design;

FIG. 2 is a front elevational view thereof;

FIG. 3 is a rear elevational view thereof;

FIG. 4 is a left side elevational view thereof;

FIG. 5 is a right side elevational view thereof;

FIG. 6 is a top plan view thereof; and,

FIG. 7 is a bottom plan view thereof.

1 Claim, 7 Drawing Sheets

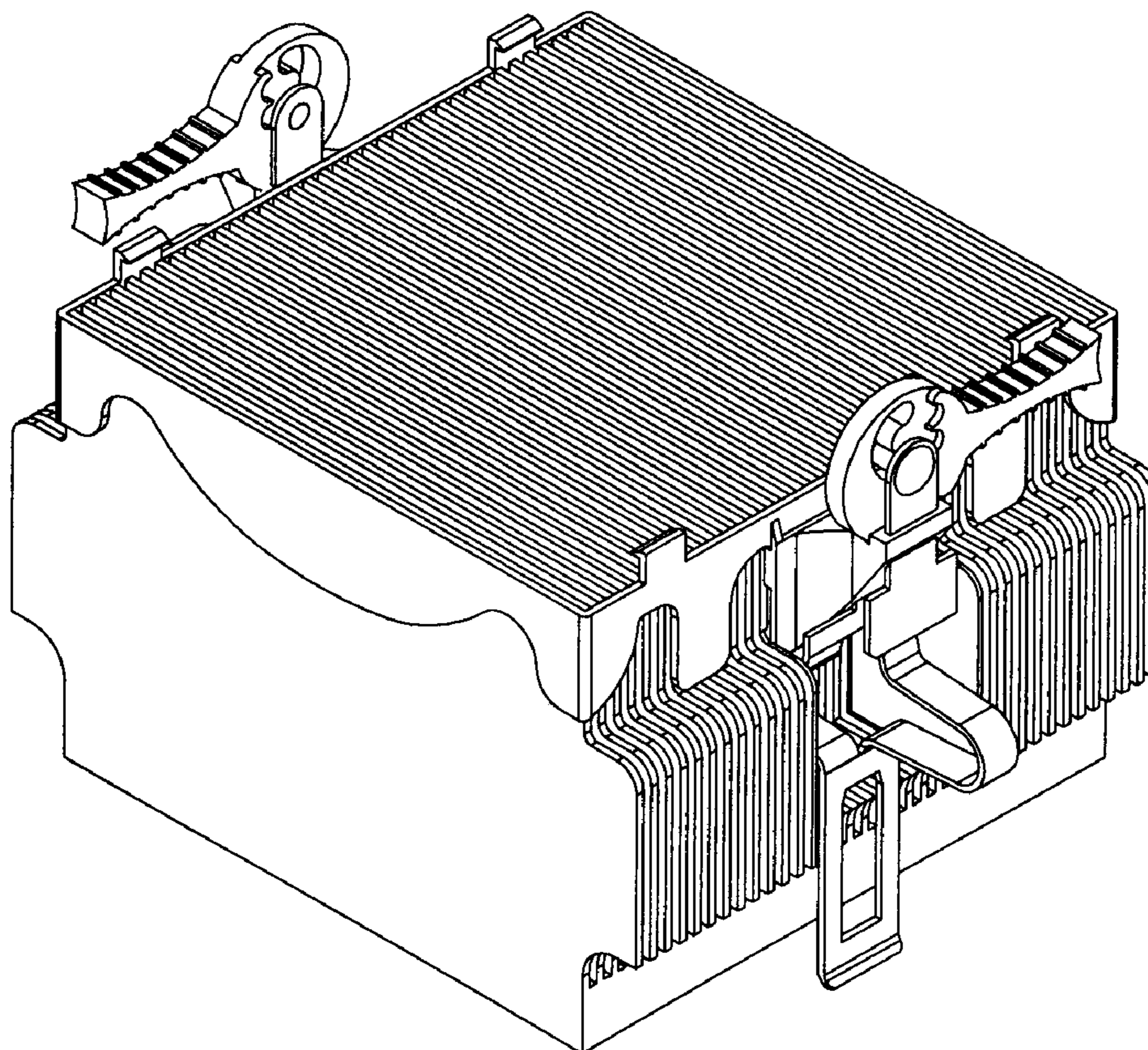


FIG 1

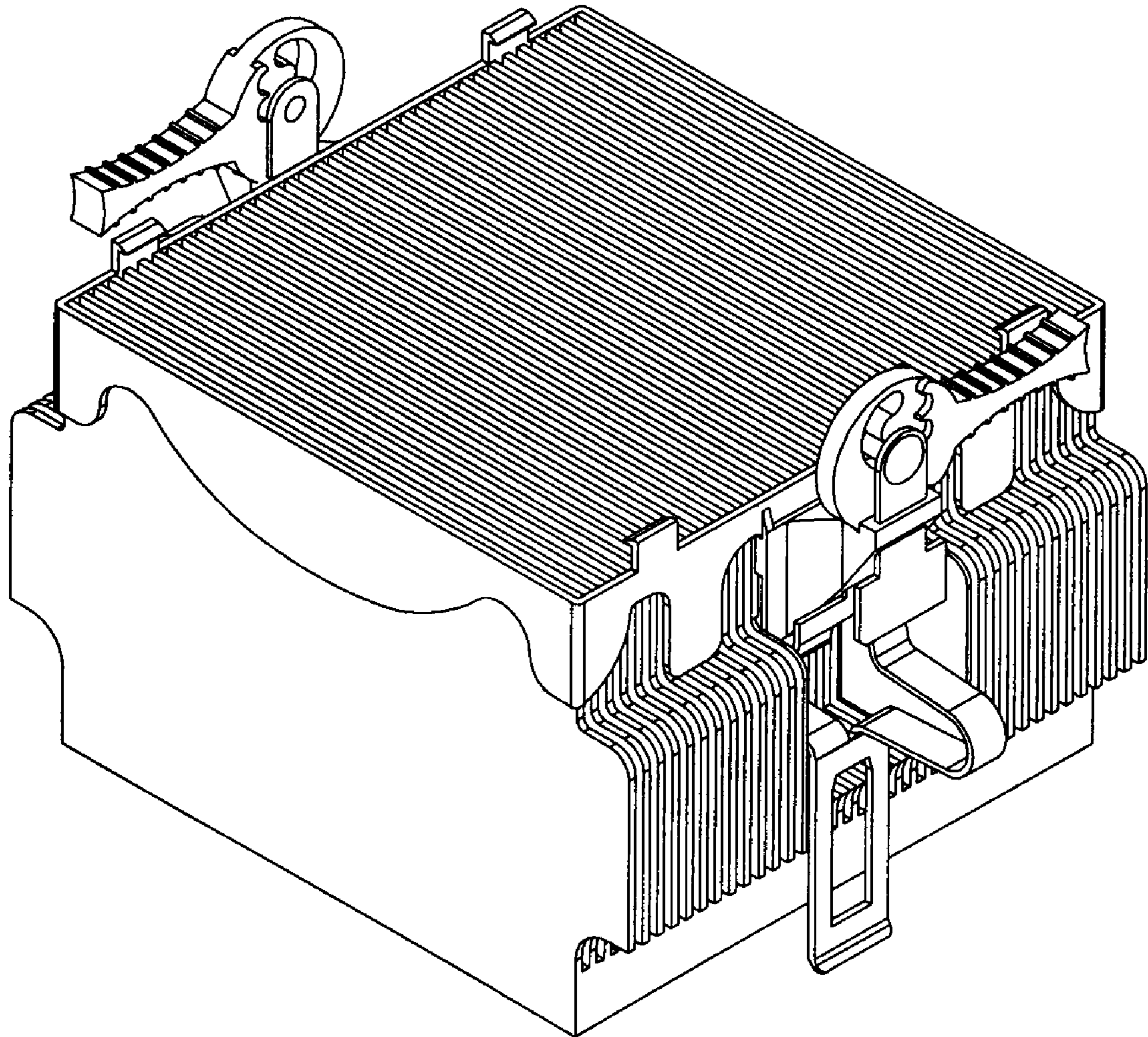


FIG 2

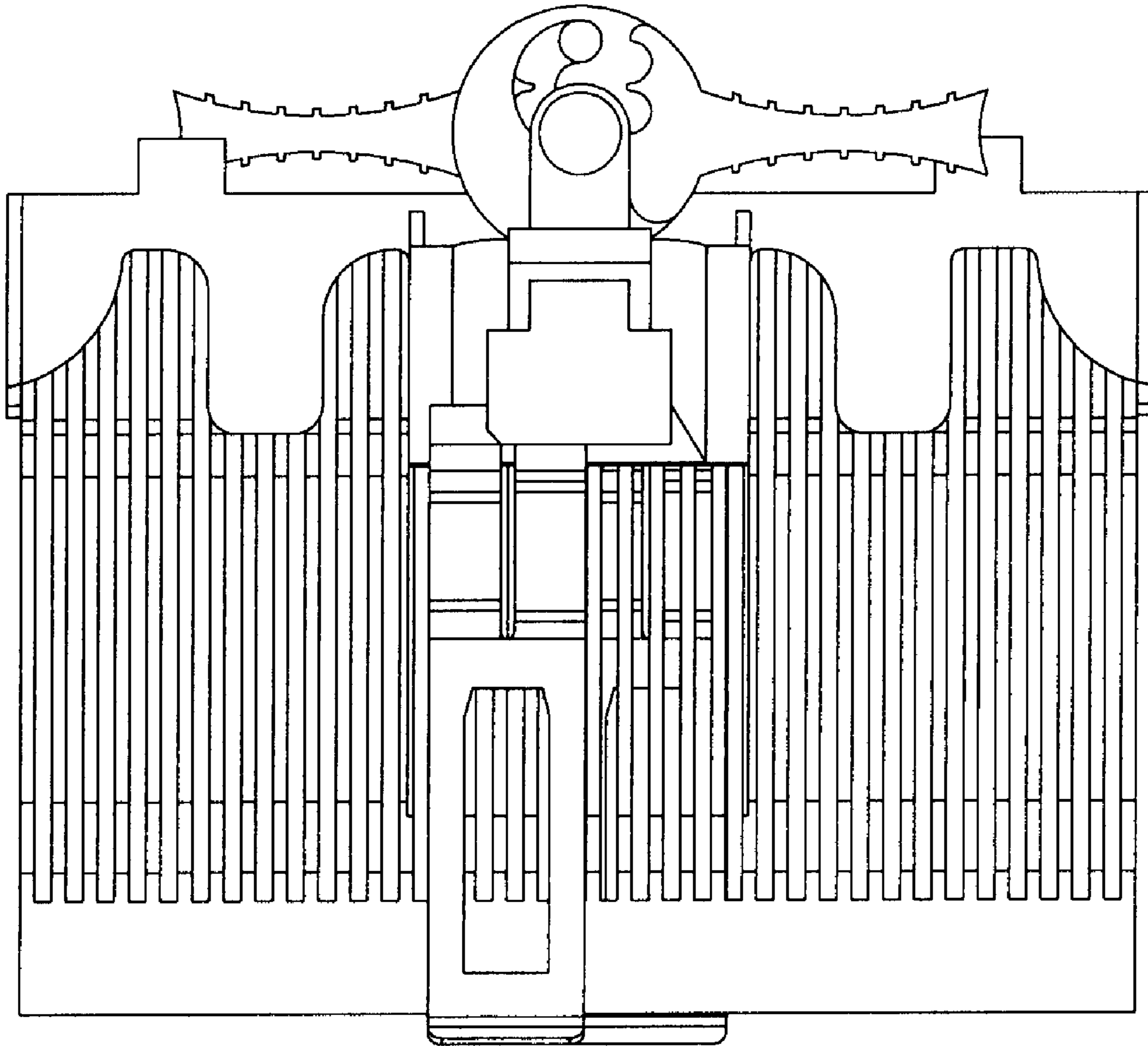


FIG 3

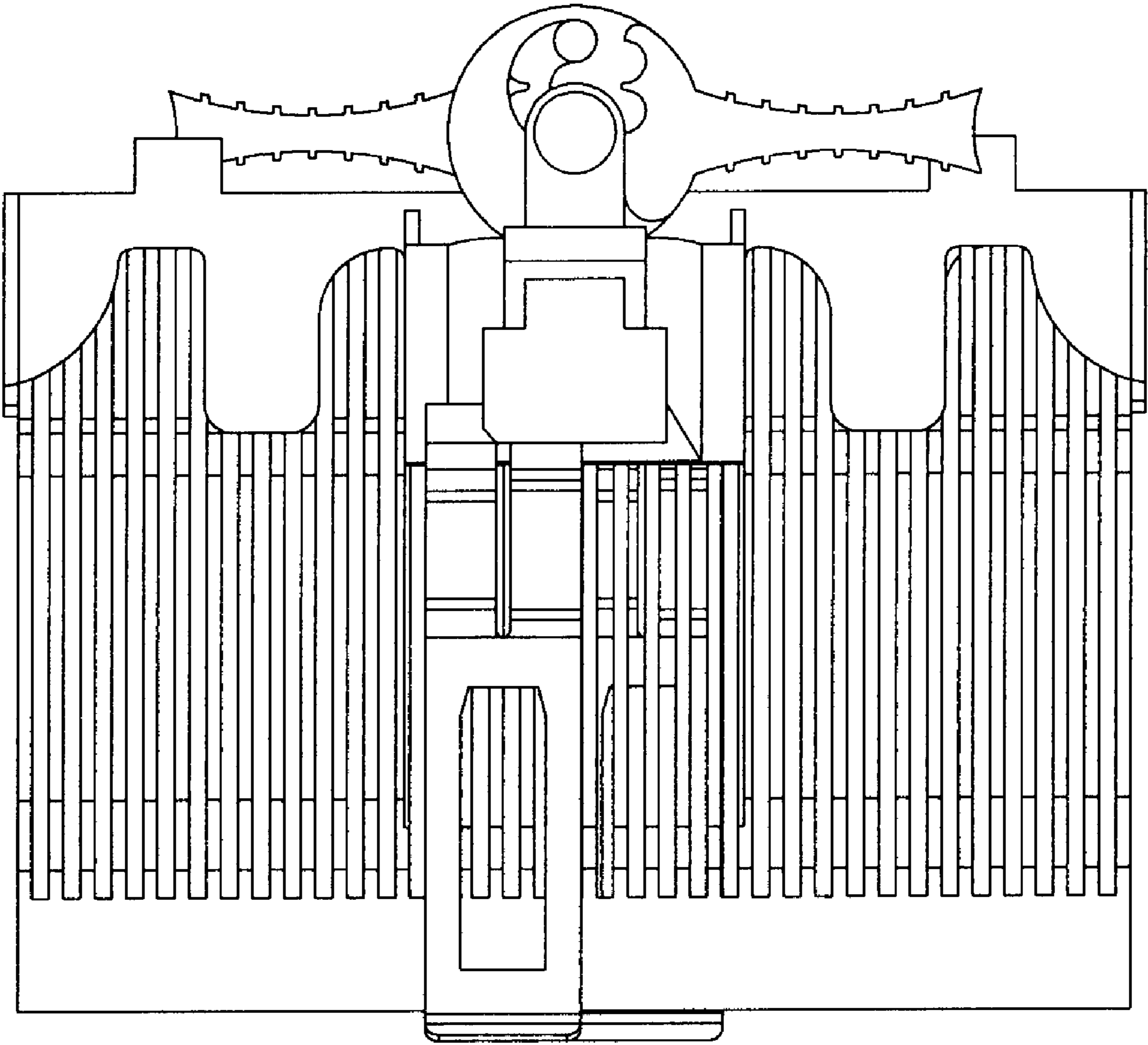


FIG 4

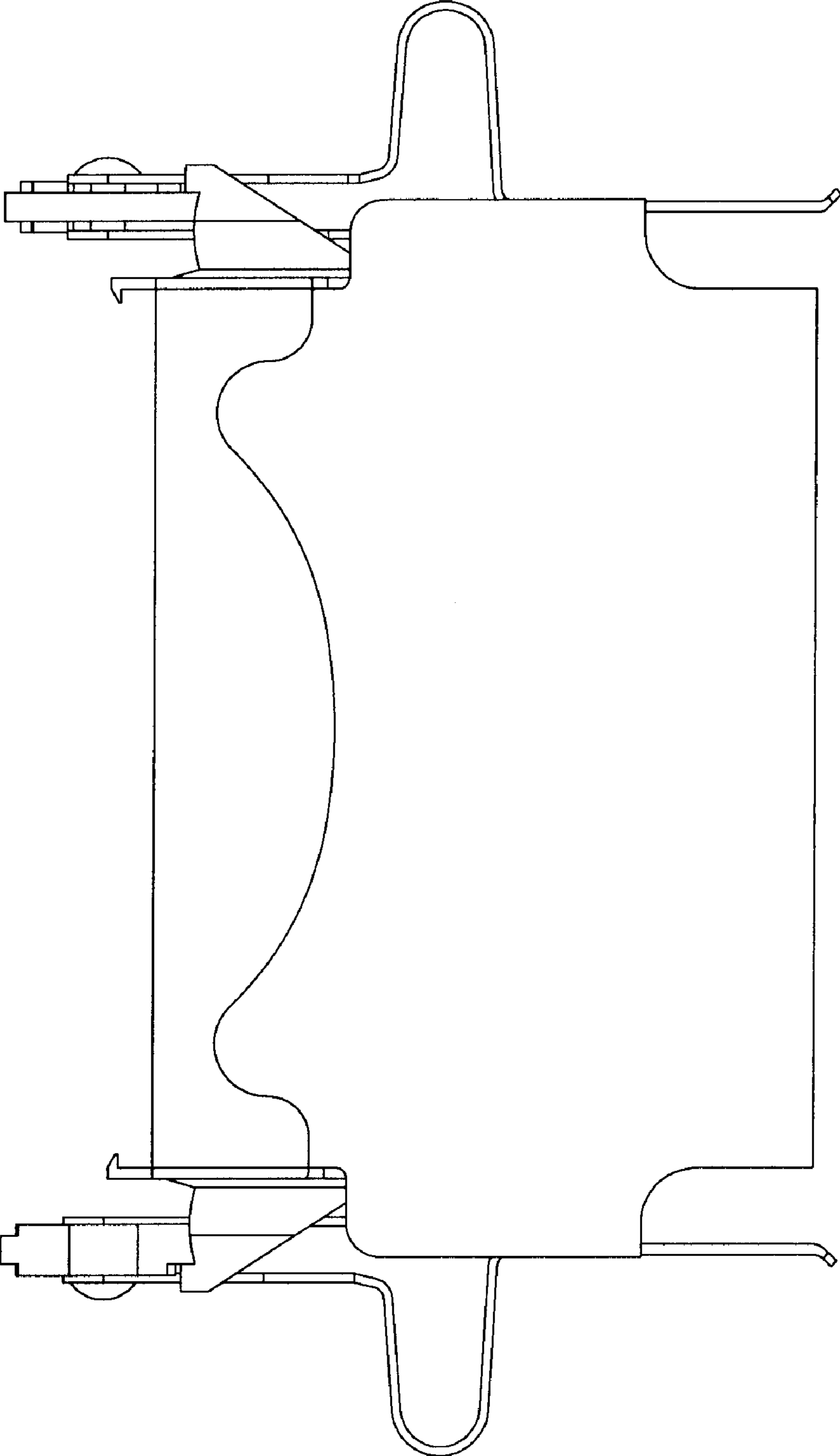


FIG 5

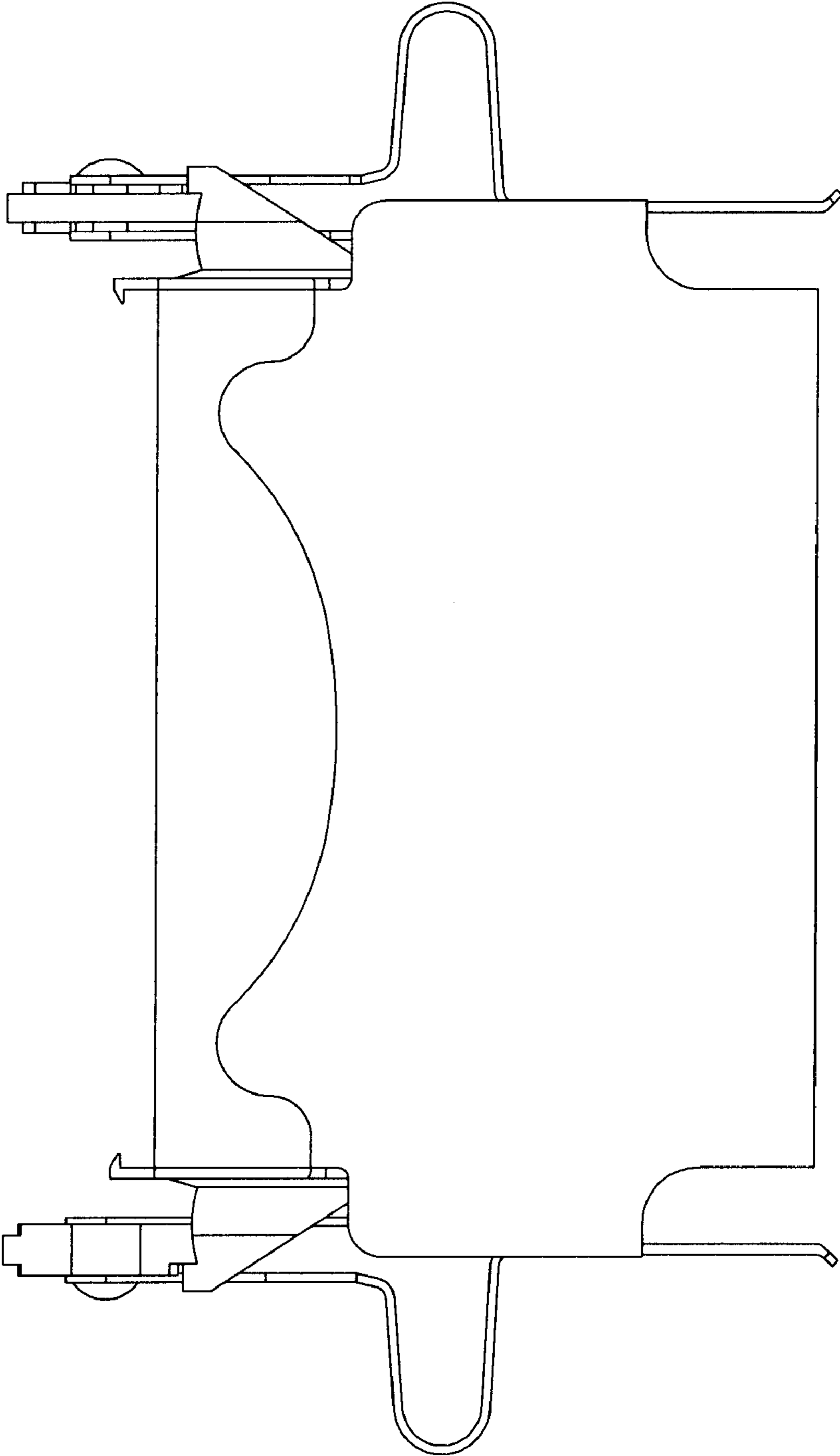


FIG 6

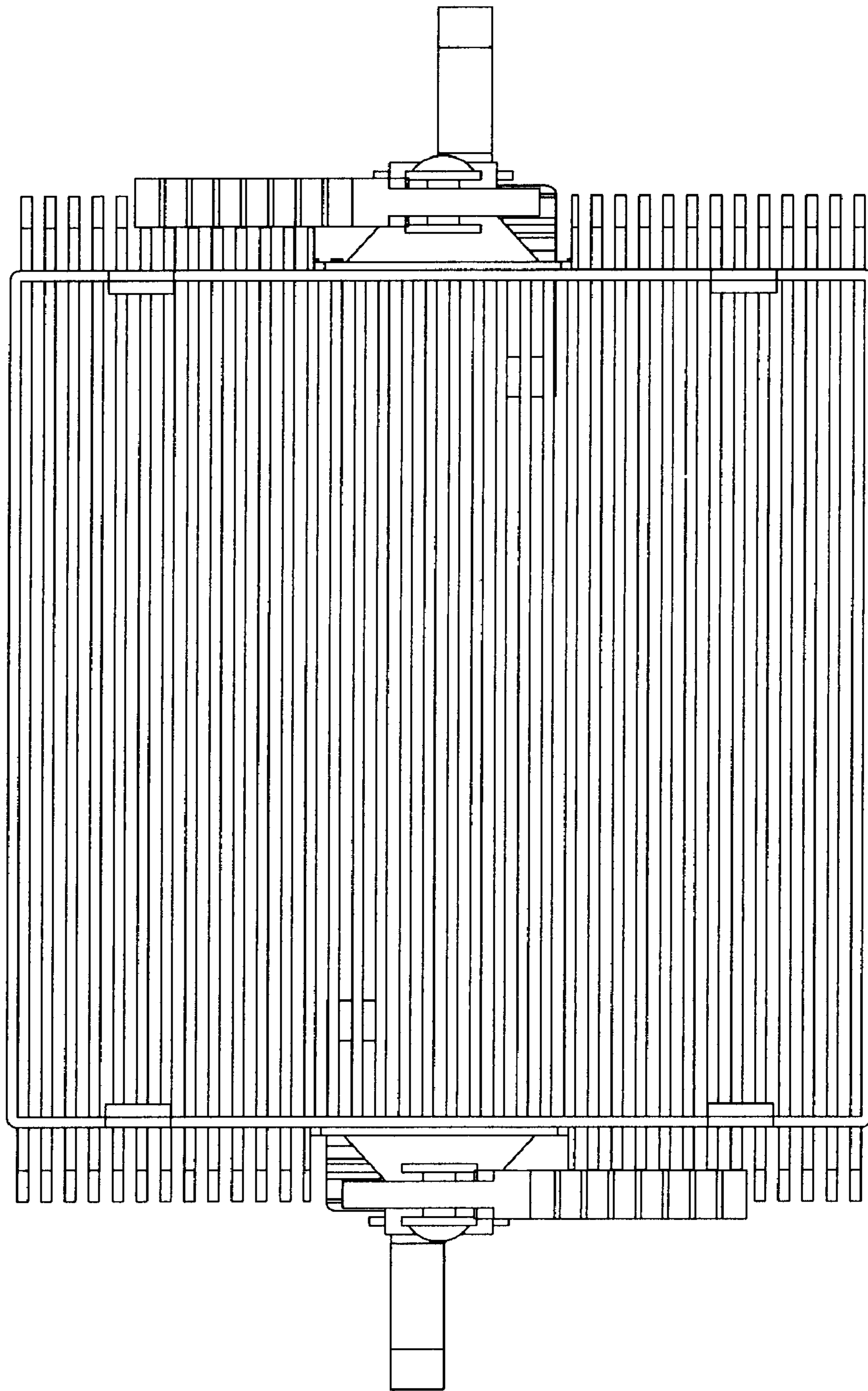


FIG 7

