

US00D567189S

(12) **United States Design Patent** (10) **Patent No.:** **US D567,189 S**  
**Stiles, Jr. et al.** (45) **Date of Patent:** **\*\* Apr. 22, 2008**

(54) **PUMP CONTROL PAD**

(75) Inventors: **Robert W. Stiles, Jr.**, Cary, NC (US);  
**Lars Hoffmann Berthelsen**, Randers  
(DK); **Gert Kjaer**, Soenderborg (DK);  
**Arne Fink Hansen**, Graasten (DK)

(73) Assignees: **Pentair Water Pool and Spa, Inc.**,  
Moorpark, CA (US); **Danfoss Low  
Power Drives, a division of Danfoss  
Drive A/S**, Graasten (DK)

(\*\*) Term: **14 Years**

(21) Appl. No.: **29/258,169**

(22) Filed: **Apr. 18, 2006**

(51) **LOC (8) Cl.** ..... **13-03**

(52) **U.S. Cl.** ..... **D13/164**

(58) **Field of Classification Search** ..... D13/158,  
D13/162, 164, 177, 184, 199, 139.8, 171;  
D10/40, 80, 49, 103; D14/218, 313, 335,  
D14/358, 399, 401, 413, 454; D16/219;  
D18/41; D21/328, 332, 566; D23/246; 174/50;  
200/302.1; 239/242; 307/157, 41; 335/132;  
337/37, 68; 361/686; 84/670

See application file for complete search history.

(56) **References Cited**

**U.S. PATENT DOCUMENTS**

D278,529 S \* 4/1985 Hoogner ..... D10/40  
D429,699 S \* 8/2000 Davis et al. .... D13/162

D429,700 S \* 8/2000 Liebig ..... D13/162  
D445,405 S \* 7/2001 Schneider et al. .... D13/162  
D482,664 S \* 11/2003 Hunt et al. .... D13/168  
D507,243 S \* 7/2005 Miller ..... D13/162  
D512,026 S \* 11/2005 Nurmi et al. .... D13/162  
D513,737 S \* 1/2006 Riley ..... D13/164  
D533,512 S \* 12/2006 Nakashima et al. .... D13/164

\* cited by examiner

*Primary Examiner*—Daniel Bui  
*Assistant Examiner*—Thomas J Johannes  
(74) *Attorney, Agent, or Firm*—Greenberg Traurig, LLP

(57) **CLAIM**

The ornamental design for a pump control pad, as shown and described.

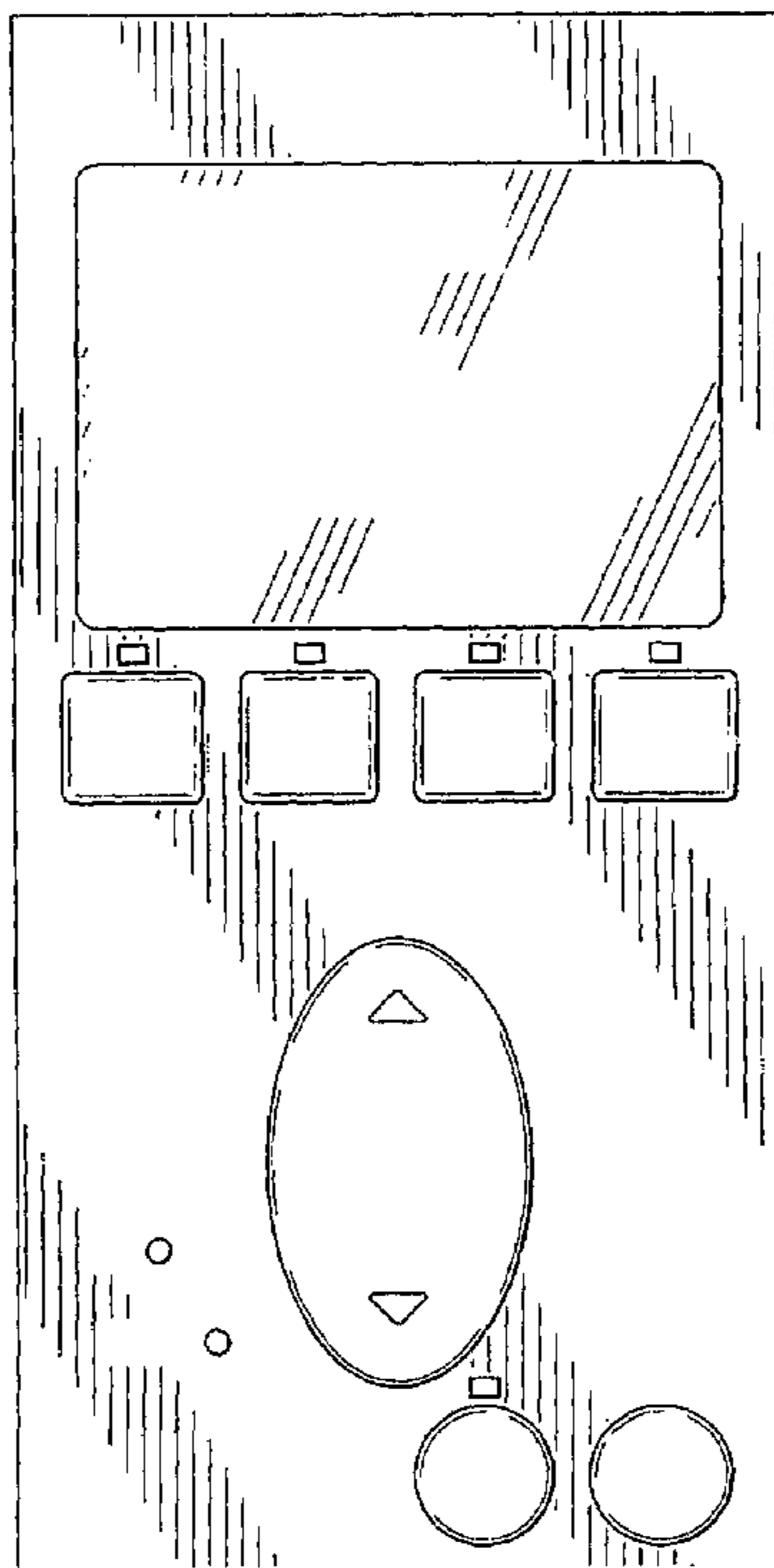
**DESCRIPTION**

FIG. 1 is a top view of a pump control pad, in use on a pump, showing our new design; and,

FIG. 2 is a top view thereof.

The broken lines shown in FIG. 1 for the pump represent environmental structure and form no part of the claimed design.

**1 Claim, 2 Drawing Sheets**



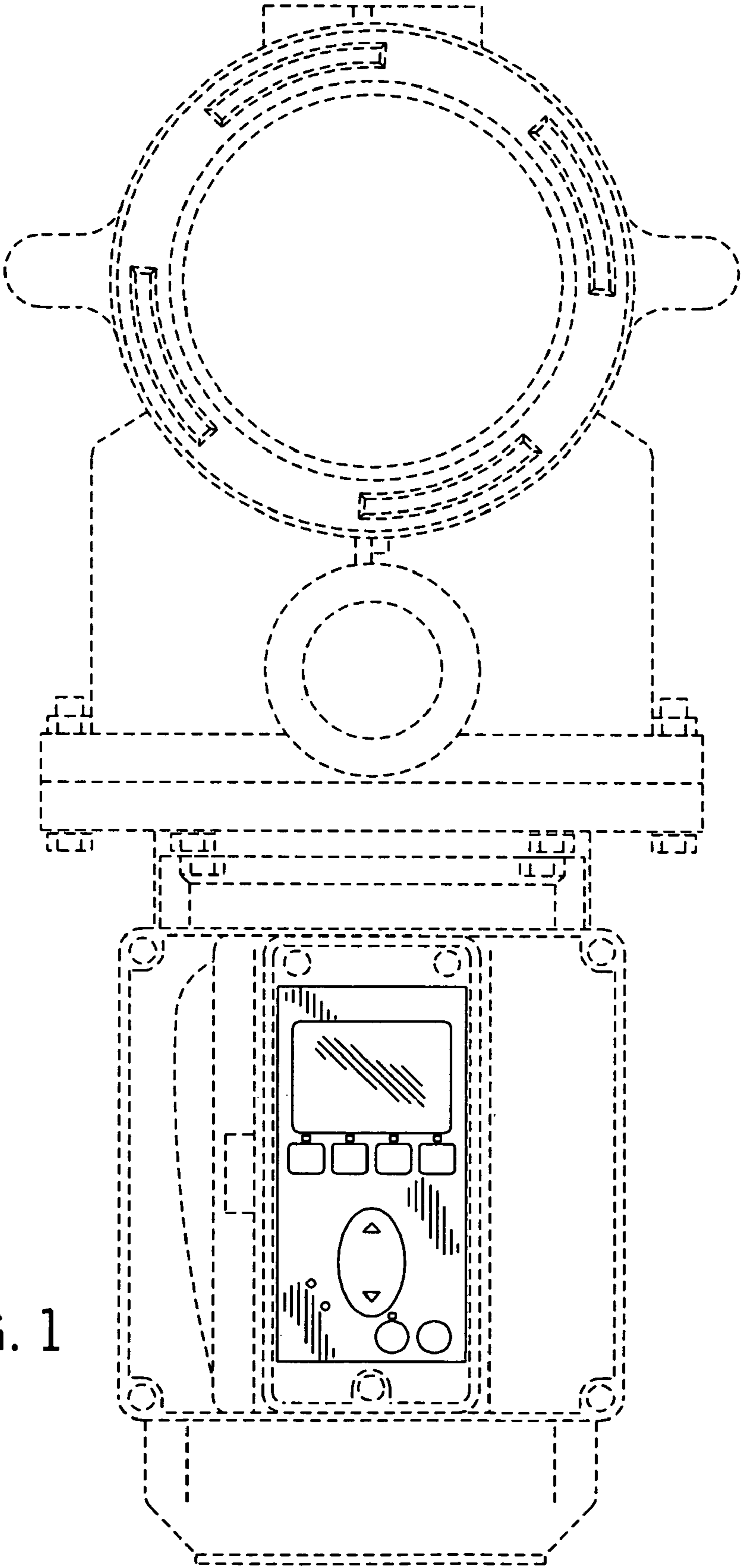


FIG. 1

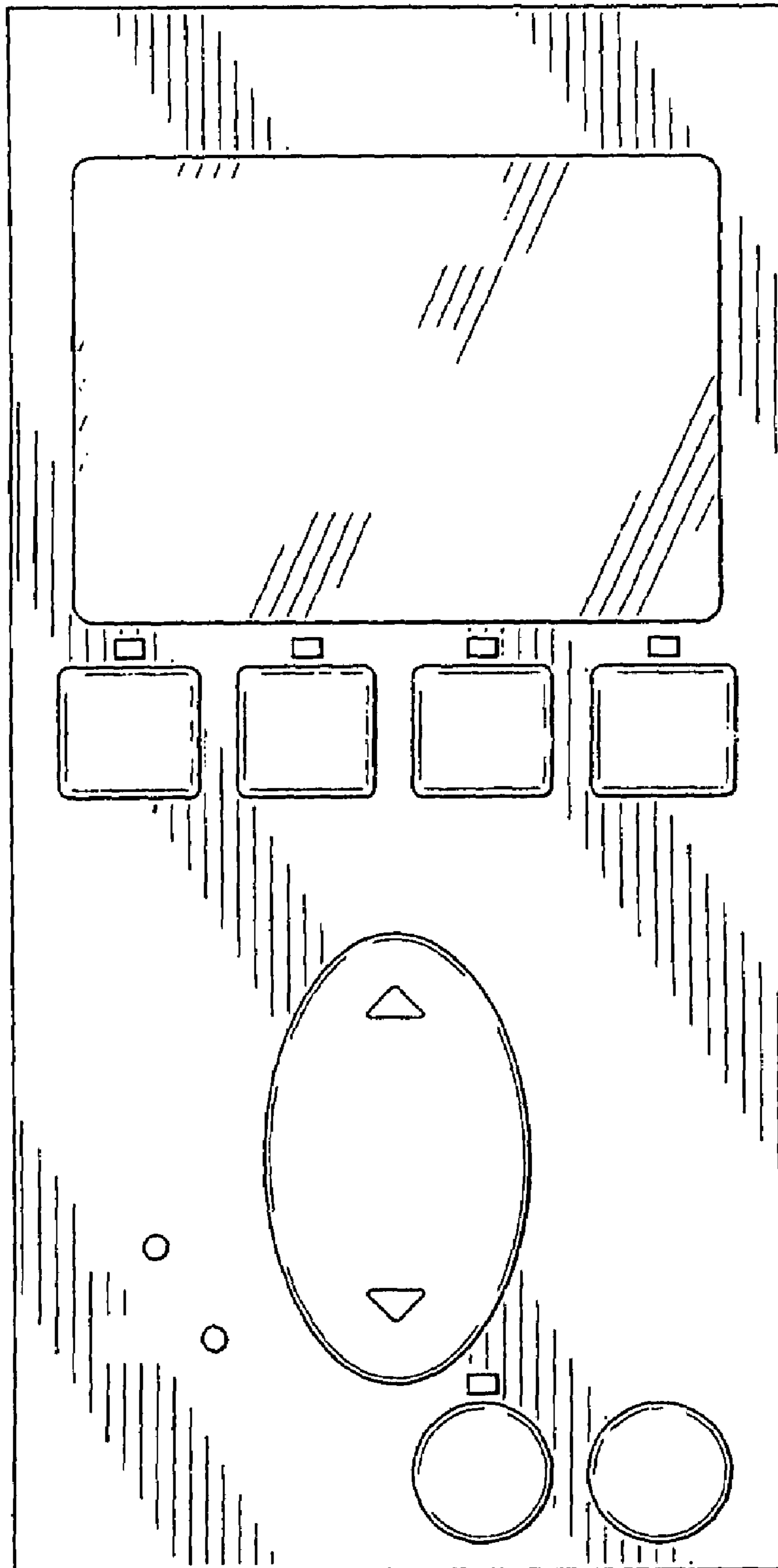


FIG. 2