



US00D567182S

(12) **United States Design Patent** (10) **Patent No.:** **US D567,182 S**  
**Victor** (45) **Date of Patent:** **\*\* Apr. 22, 2008**

(54) **CABLE CONNECTOR**

(76) Inventor: **Jay Victor**, 2017 Bataan Rd., Unit A,  
Redondo Beach, CA (US) 90278

(\*\*) Term: **14 Years**

(21) Appl. No.: **29/281,956**

(22) Filed: **Jul. 6, 2007**

(51) **LOC (8) Cl.** ..... **13-03**

(52) **U.S. Cl.** ..... **D13/156**

(58) **Field of Classification Search** ..... D13/133,  
D13/154, 156, 184; 439/447, 483, 578, 586,  
439/606-610, 668-669, 675-676, 889, 892  
See application file for complete search history.

(56) **References Cited**

**U.S. PATENT DOCUMENTS**

3,297,975	A	*	1/1967	Pope	.....	439/889
D320,192	S	*	9/1991	Sisk	.....	D13/133
5,183,411	A	*	2/1993	Yu	.....	439/578
D407,378	S	*	3/1999	Lee	.....	D13/156
D453,322	S	*	2/2002	Lee	.....	D13/154
D473,194	S	*	4/2003	Lee	.....	D13/154
D506,184	S	*	6/2005	Sirichai et al.	.....	D13/154
D542,224	S	*	5/2007	Victor	.....	D13/154
D543,154	S	*	5/2007	Suckle et al.	.....	D13/154
D543,509	S	*	5/2007	Victor	.....	D13/154
D549,174	S	*	8/2007	Lee et al.	.....	D13/133

\* cited by examiner

*Primary Examiner*—Brian N Vinson

(74) *Attorney, Agent, or Firm*—Trojan Law Offices

(57) **CLAIM**

The ornamental design for a cable connector, as shown and described.

**DESCRIPTION**

FIG. 1 is a perspective view of a cable connector, showing my new design;

FIG. 2 is a front view of the cable connector shown in FIG. 1;

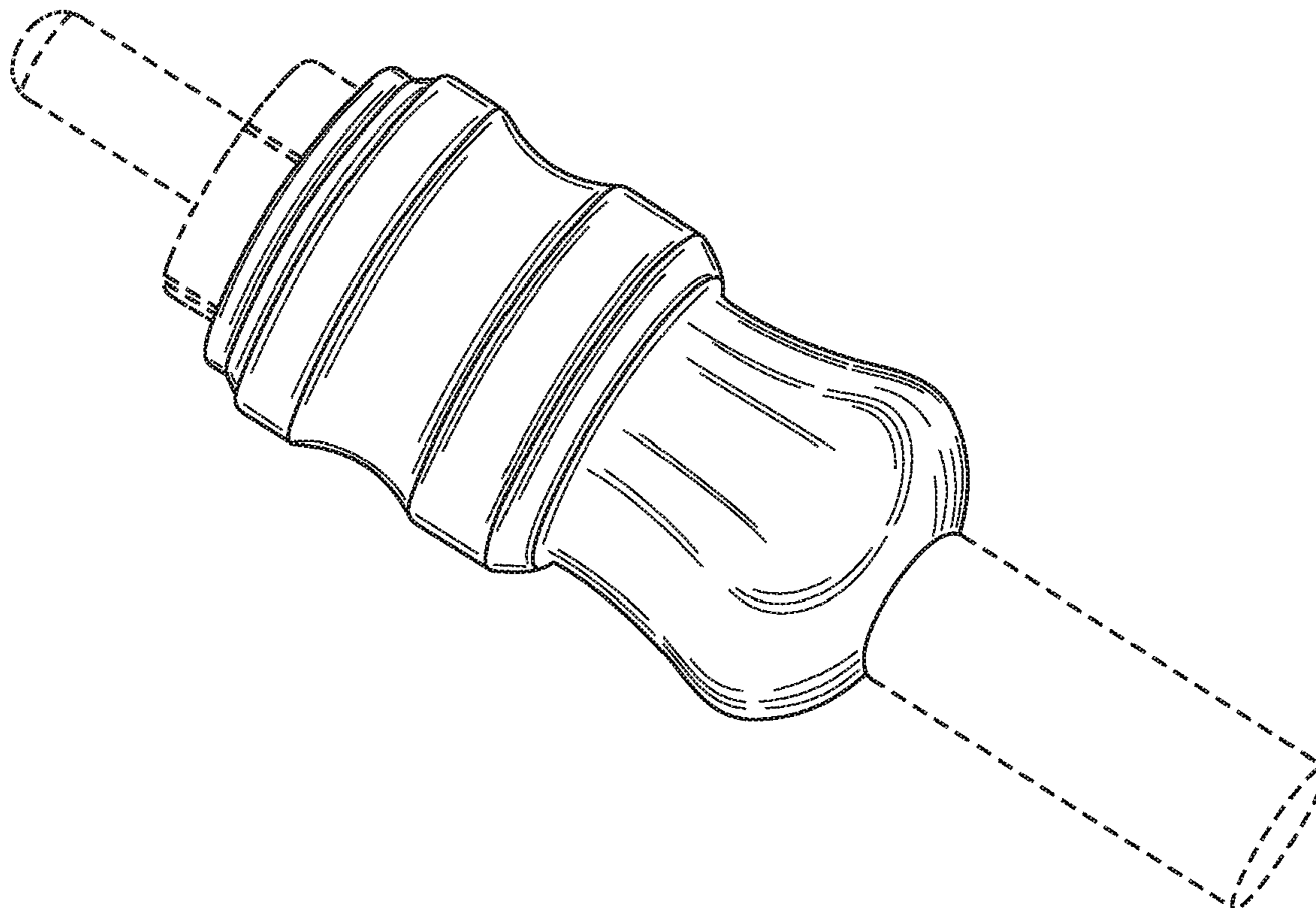
FIG. 3 is a rear view of the cable connector shown in FIG. 1;

FIG. 4 is a side view of the cable connector shown in FIG. 1; the opposite side of the view shown in FIG. 4 is a mirror image of the side view shown; and,

FIG. 5 is a top view of the cable connector shown in FIG. 1; a bottom view of the cable connector shown in FIG. 1 is a mirror image of the top view shown.

The broken lines showing a pin and a head next to the pin in FIGS. 1, 2, 4 and 5 and a cable line in FIGS. 1, and 3 through 5 are for illustrative purposes only and form no part of the claimed design.

**1 Claim, 3 Drawing Sheets**



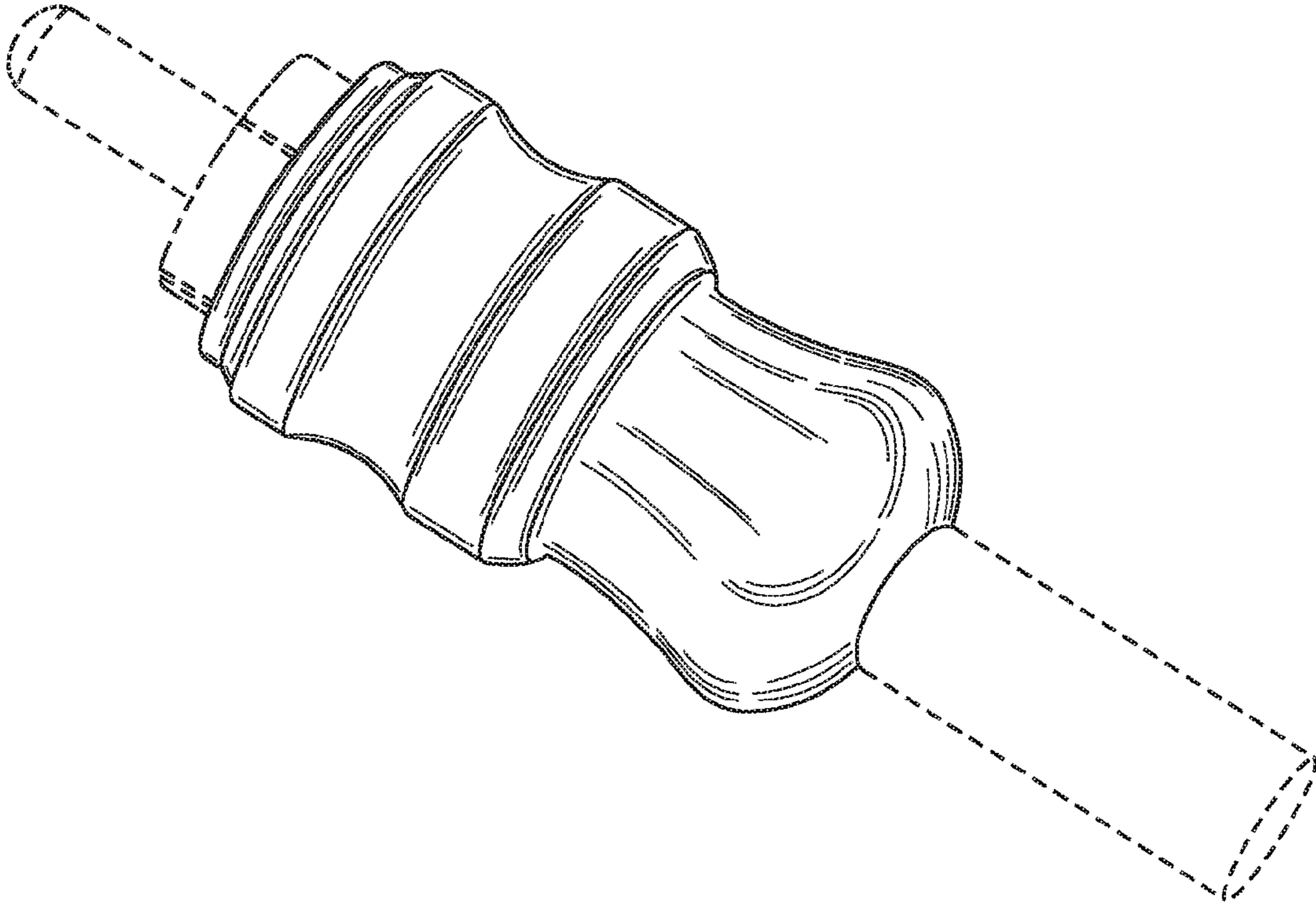


FIG. 1

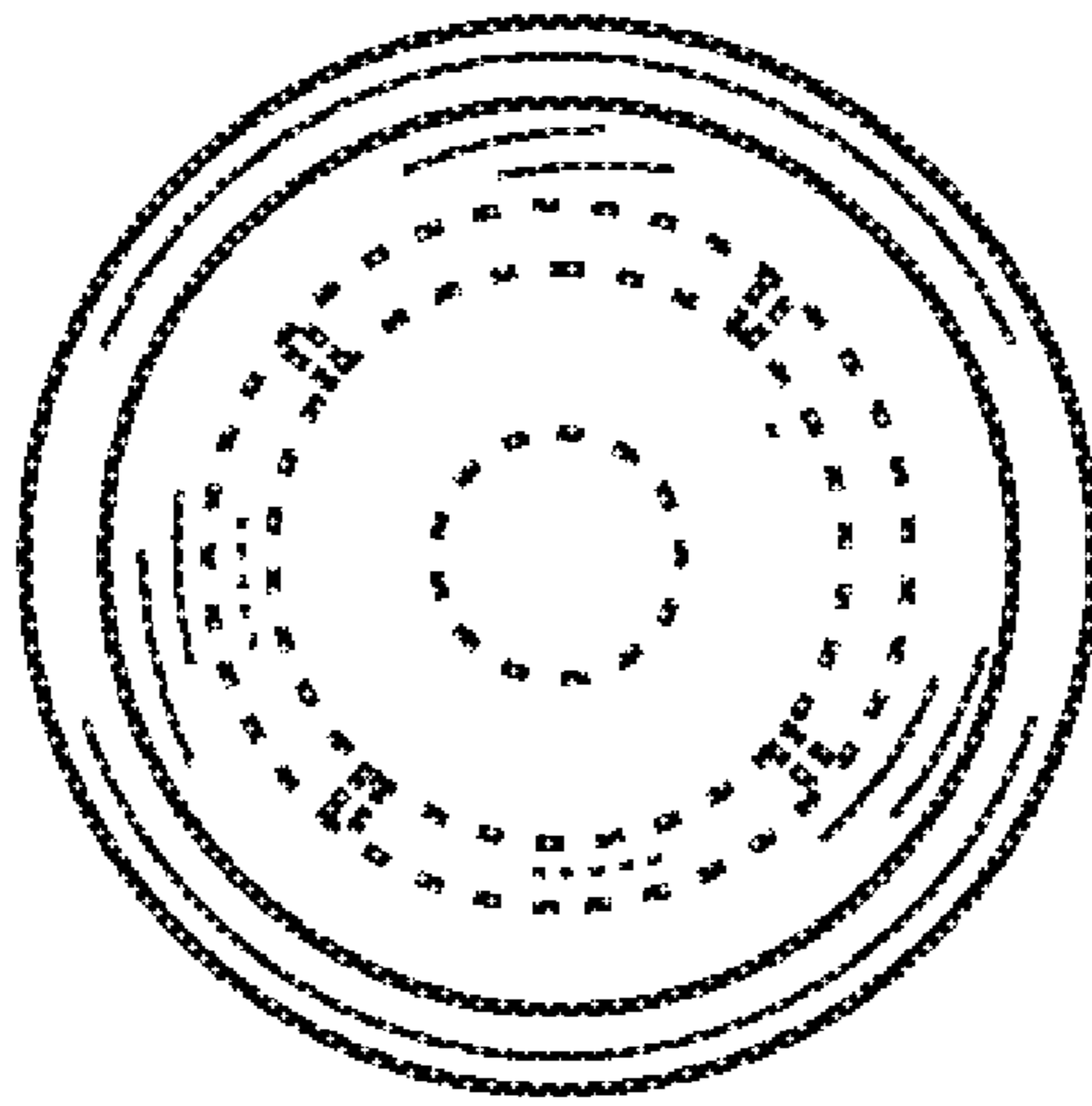


FIG. 2

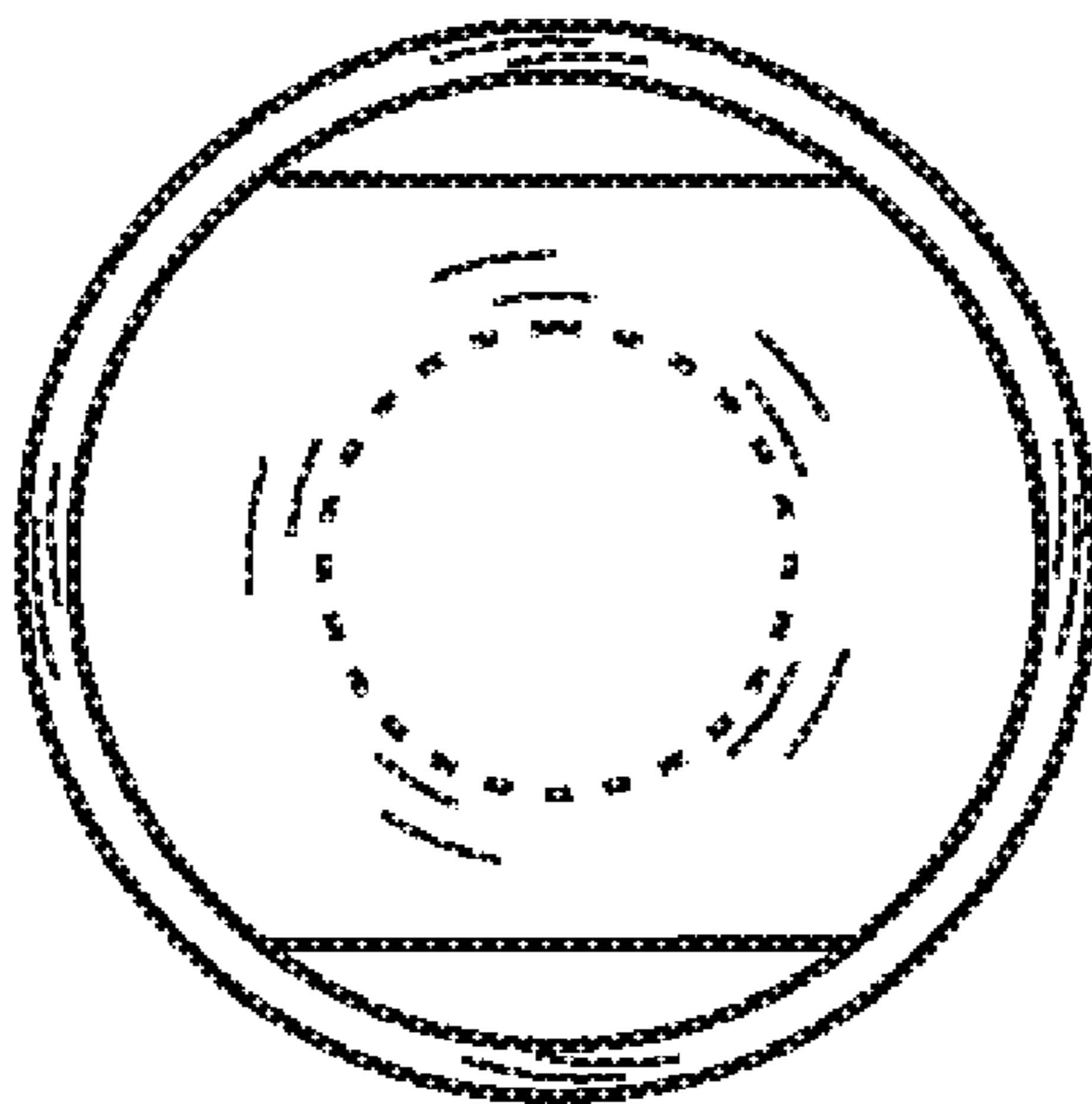


FIG. 3

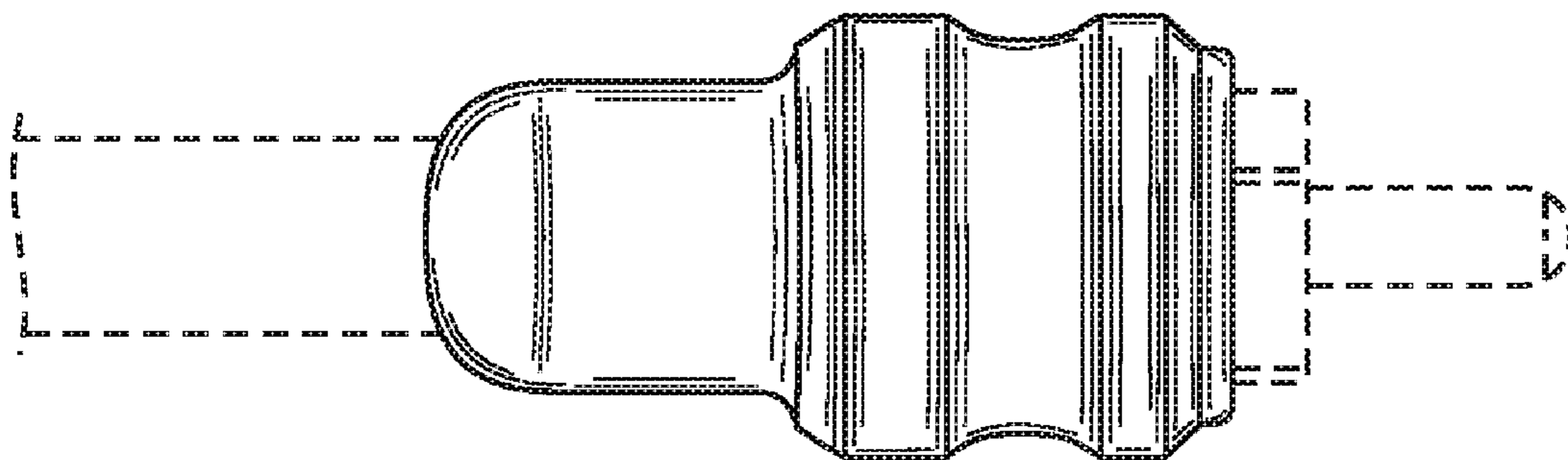


FIG. 4

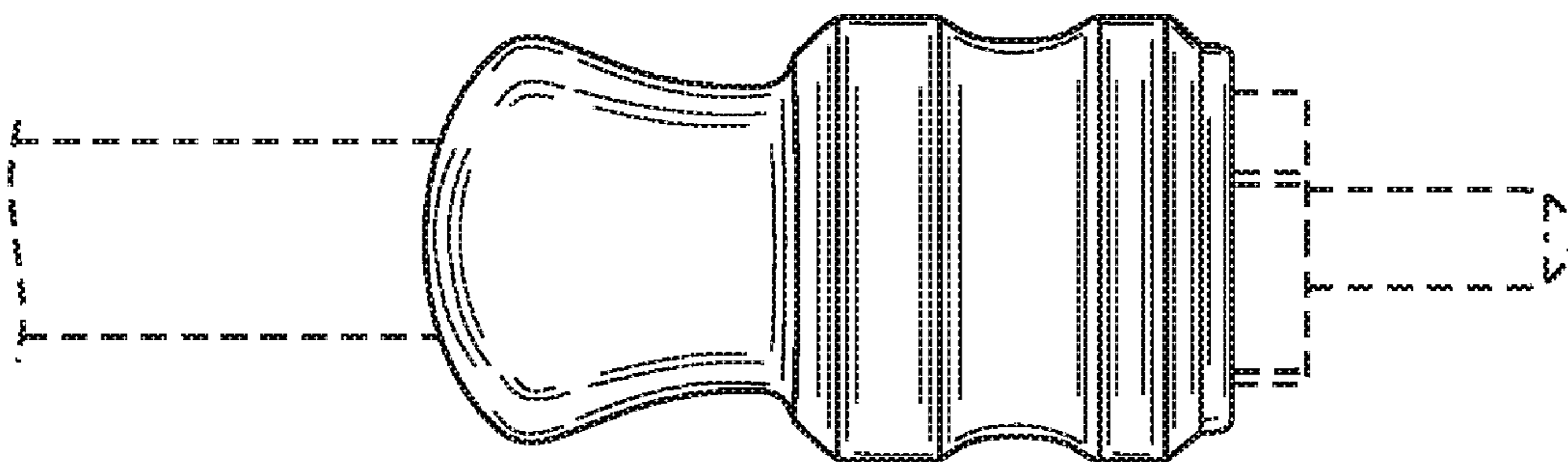


FIG. 5