



US00D567181S

(12) **United States Design Patent**
Wu

(10) **Patent No.:** **US D567,181 S**

(45) **Date of Patent:** **** Apr. 22, 2008**

(54) **CONTACT OF SIM CARD CONNECTOR**

6,860,766 B2 * 3/2005 Aujla et al. 439/733.1
6,994,566 B2 * 2/2006 You 439/66

(75) Inventor: **Yin-Lung Wu**, Taipei Hsien (TW)

* cited by examiner

(73) Assignee: **Cheng Uei Precision Industry Co., Ltd.**, Taipei Hsien (TW)

Primary Examiner—Daniel Bui
(74) *Attorney, Agent, or Firm*—WPAT, P.C.; Anthony King

(**) Term: **14 Years**

(57) **CLAIM**

(21) Appl. No.: **29/250,960**

The ornamental design for a contact of SIM card connector, as shown and described.

(22) Filed: **Dec. 7, 2006**

(51) **LOC (8) Cl.** **13-03**

(52) **U.S. Cl.** **D13/133**

(58) **Field of Classification Search** D13/133,
D13/154, 184, 199; 439/66, 74, 630–631,
439/733.1, 746, 862

See application file for complete search history.

DESCRIPTION

FIG. 1 is a perspective view of a contact of SIM card connector showing my new design;

FIG. 2 is a front elevational view thereof;

FIG. 3 is a rear elevational view thereof;

FIG. 4 is a left side elevational view thereof;

FIG. 5 is a right side elevational view thereof;

FIG. 6 is a top plan view thereof; and,

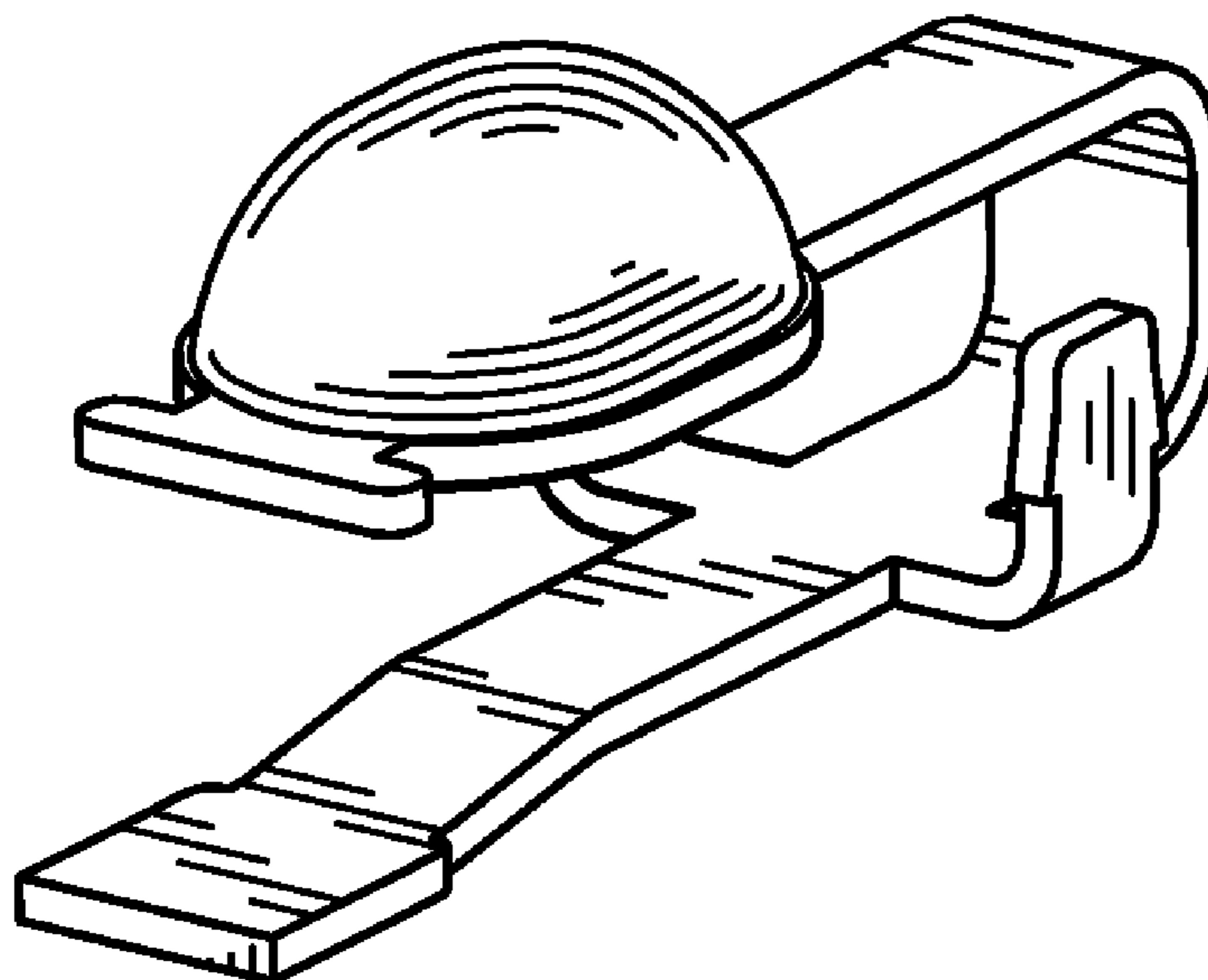
FIG. 7 is a bottom plan view thereof.

(56) **References Cited**

U.S. PATENT DOCUMENTS

D483,330 S *	12/2003	Chen	D13/133
D491,893 S *	6/2004	Chen	D13/147
D494,140 S *	8/2004	Lin et al.	D13/147
D499,377 S *	12/2004	Chen et al.	D13/147

1 Claim, 7 Drawing Sheets



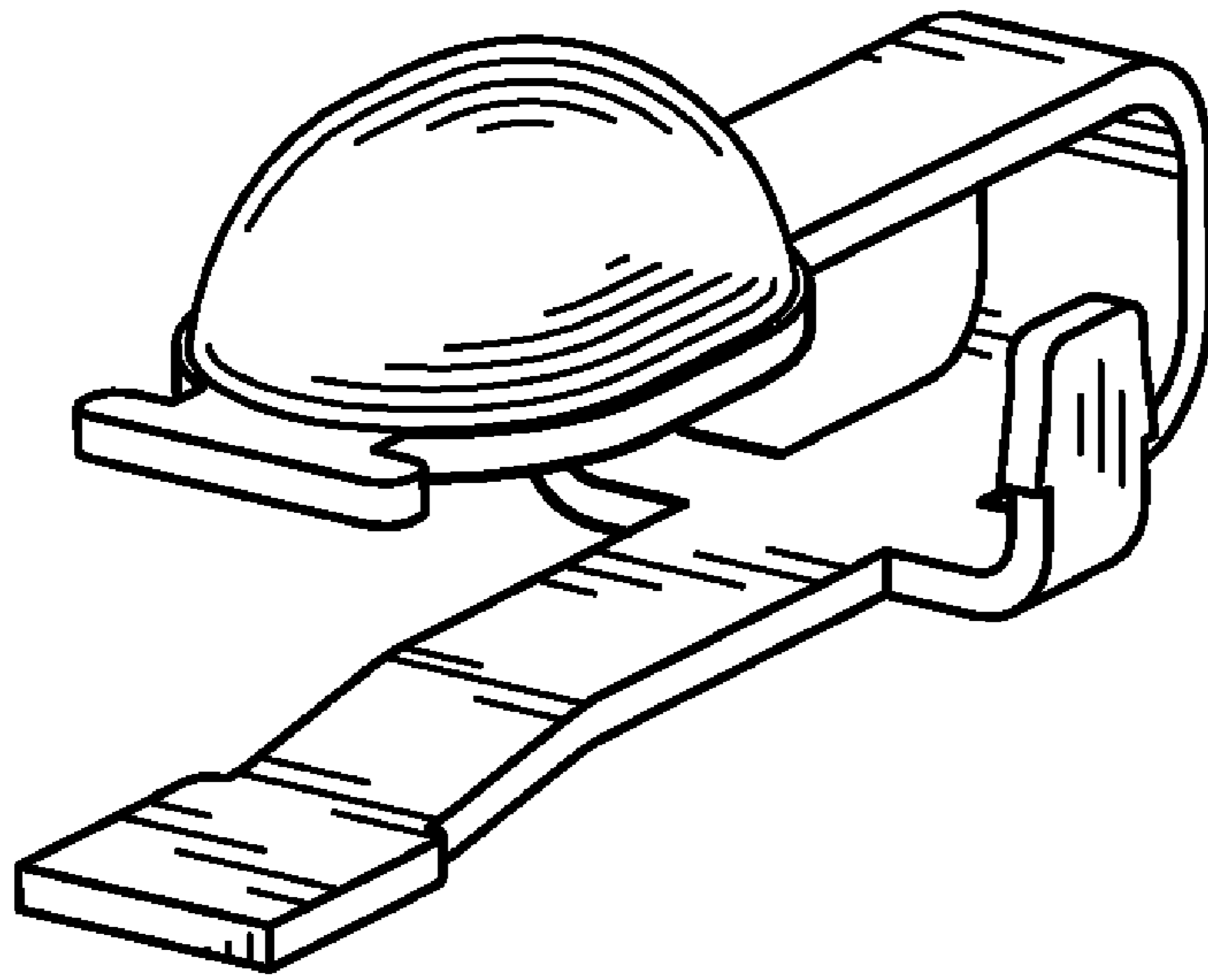


FIG. 1

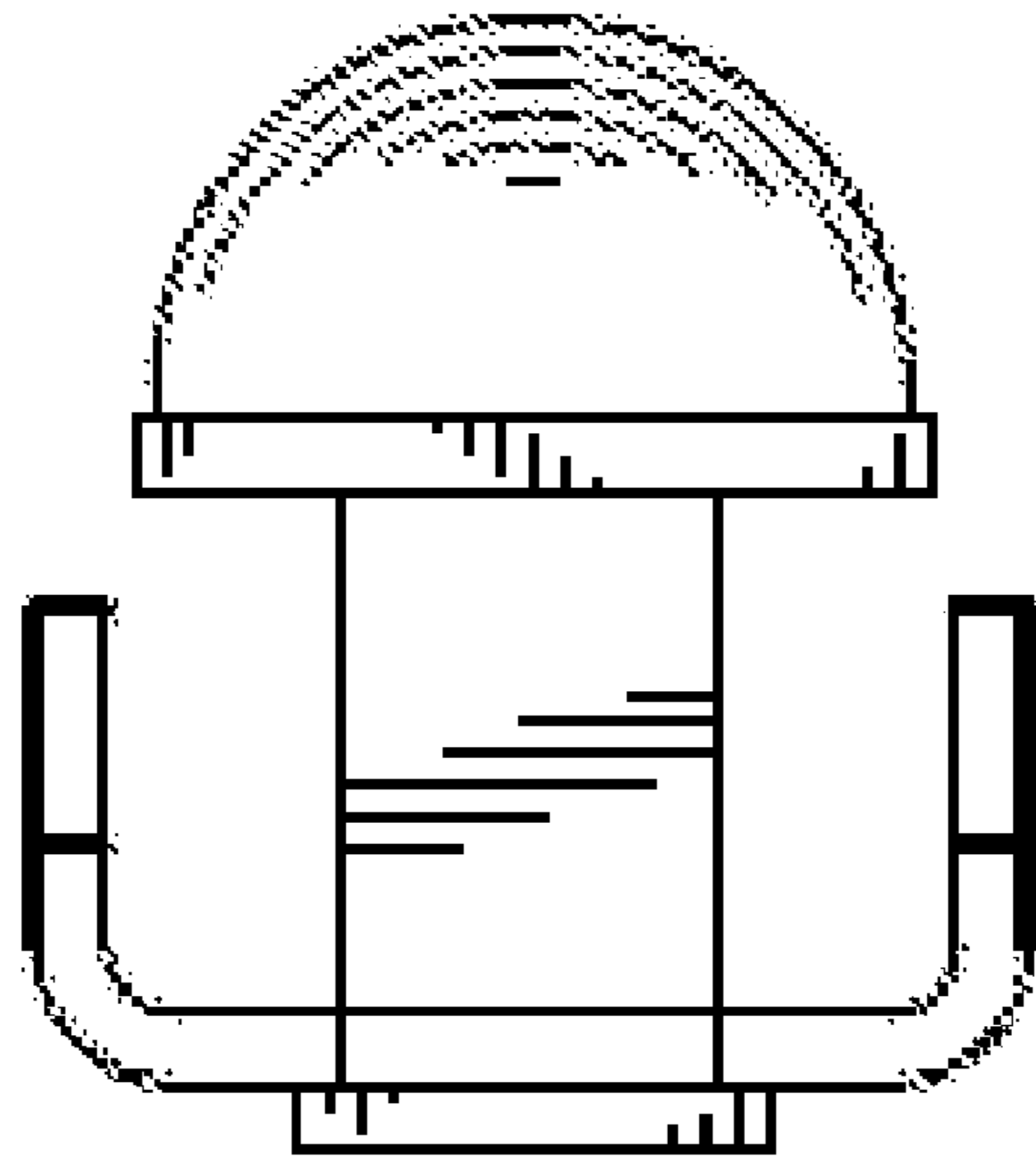


FIG. 2

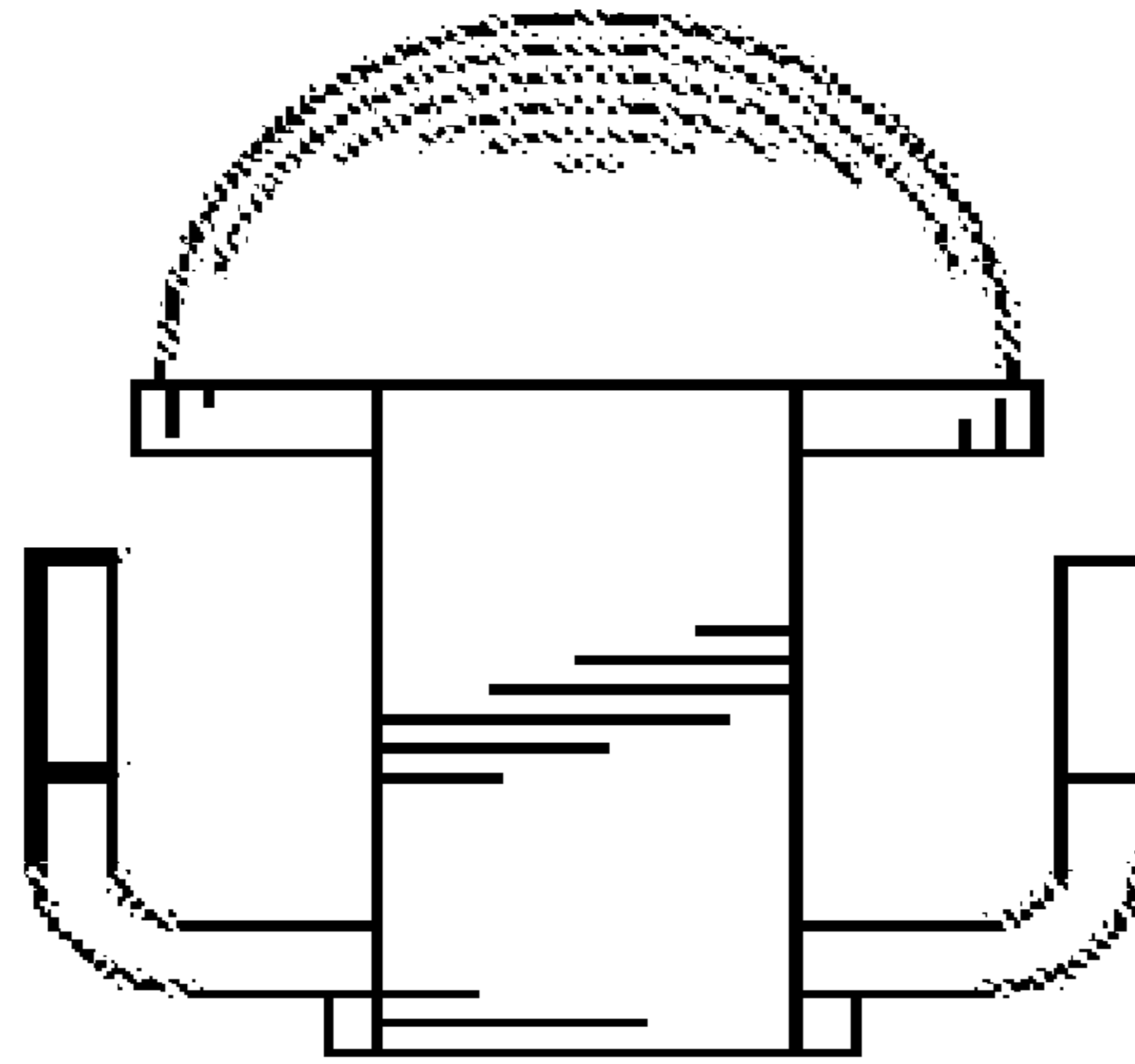


FIG. 3

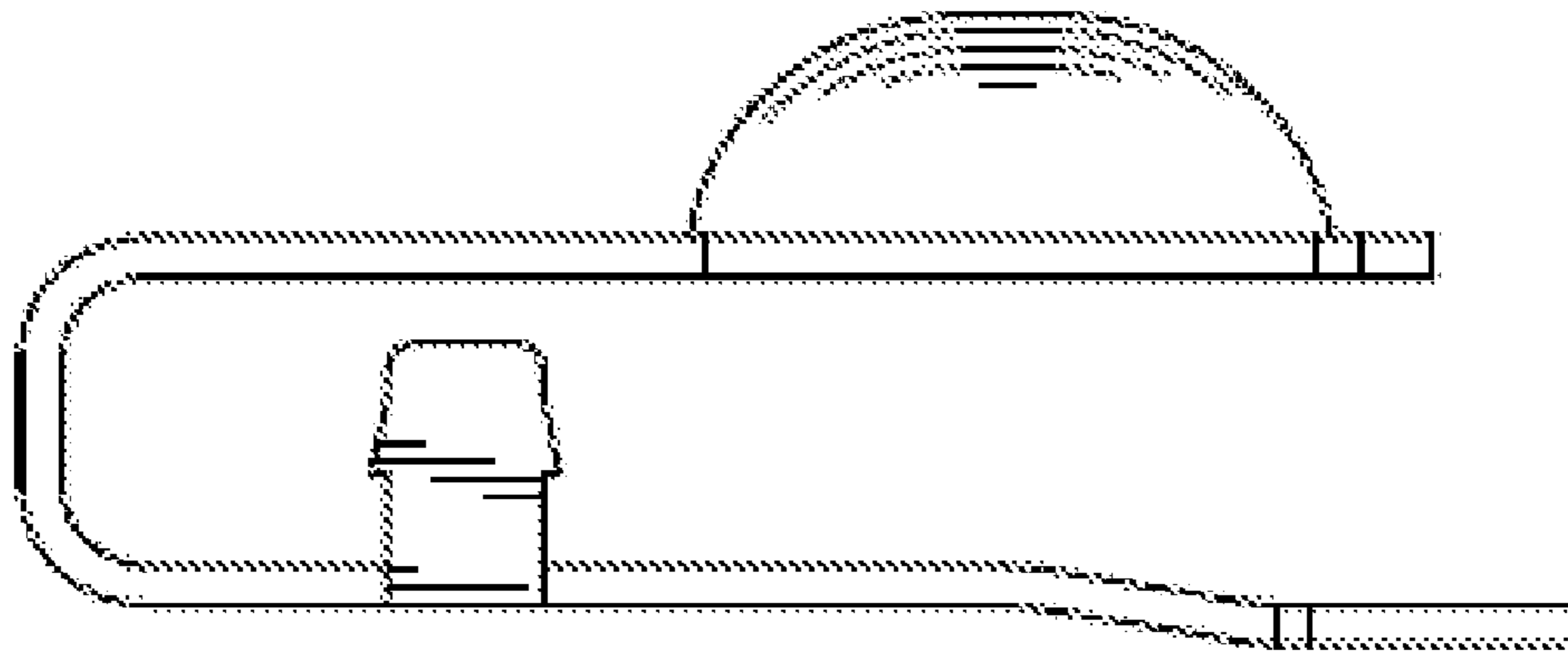


FIG. 4

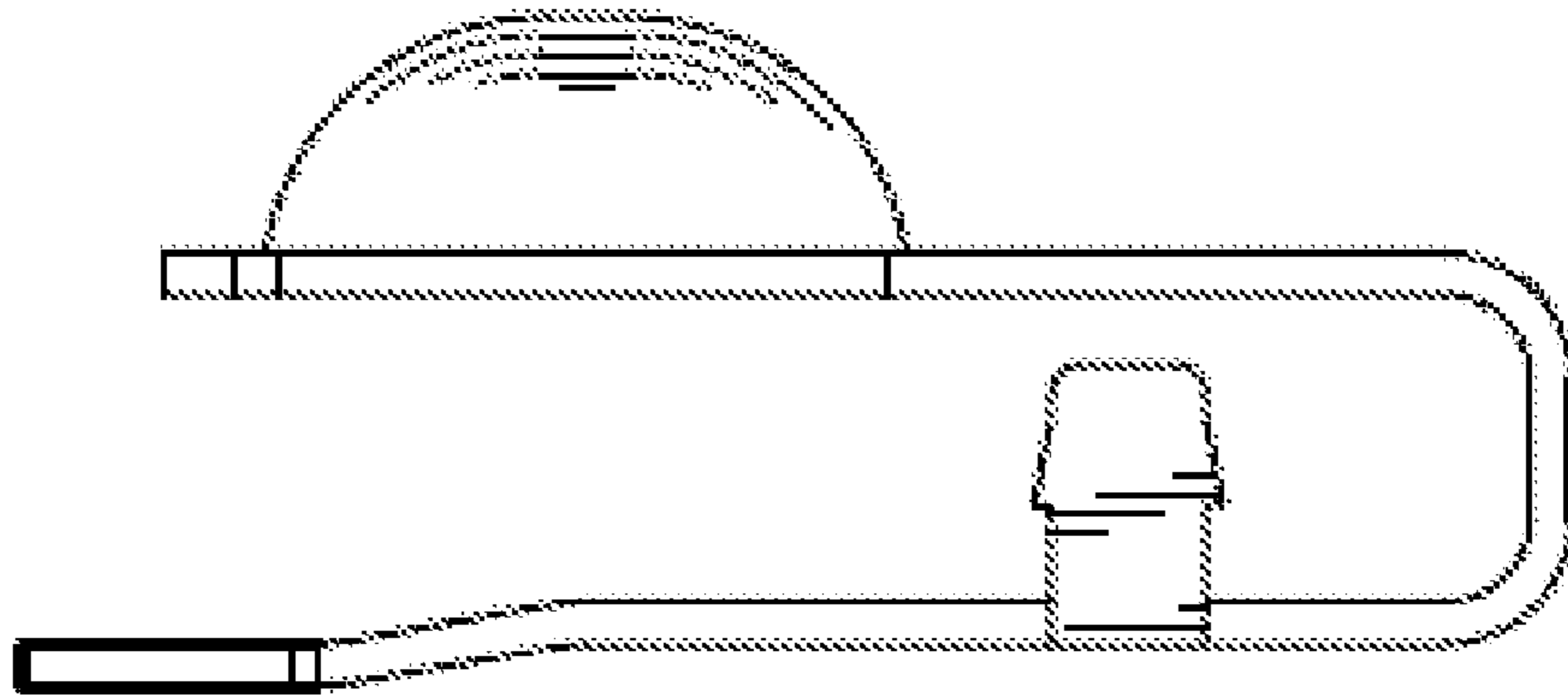


FIG. 5

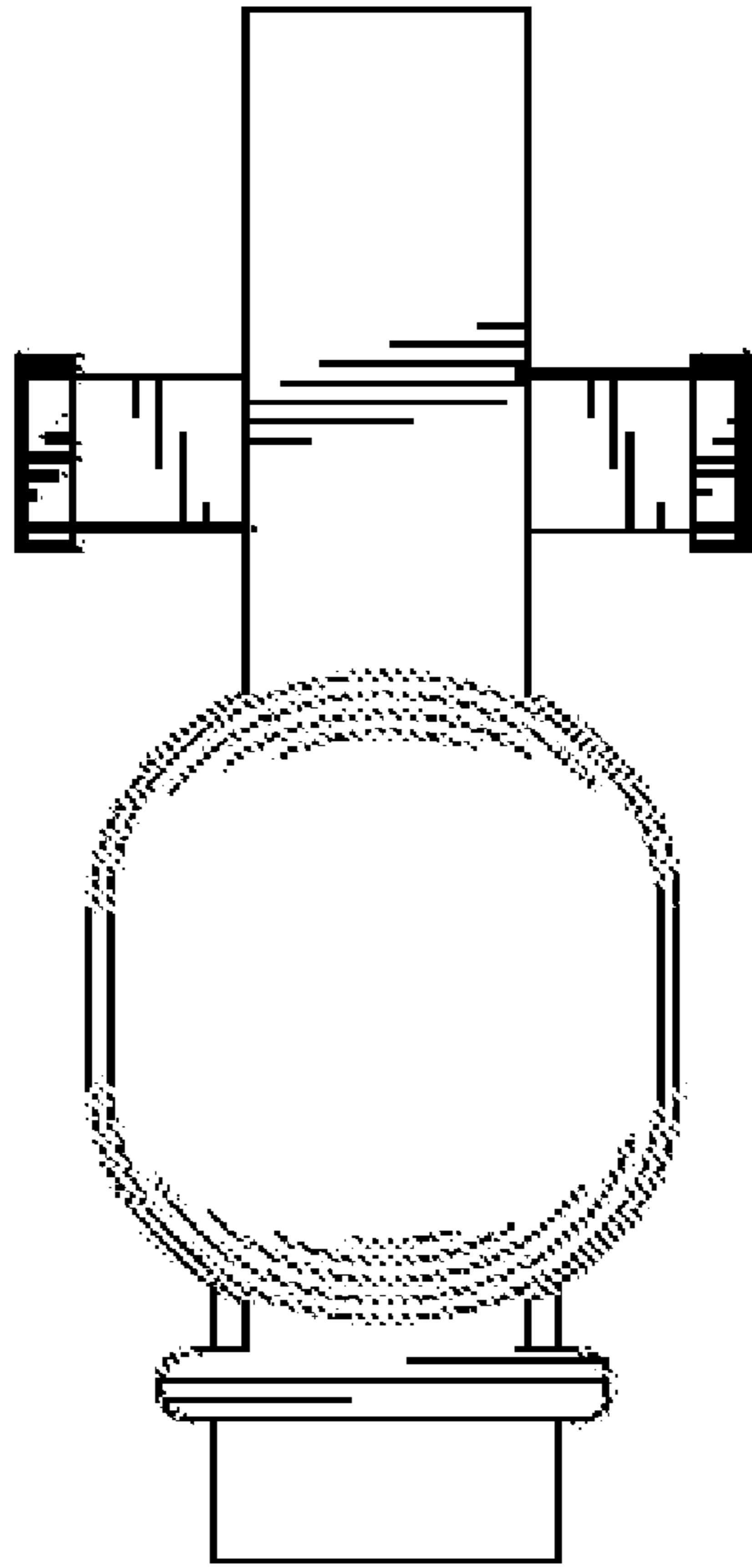


FIG. 6

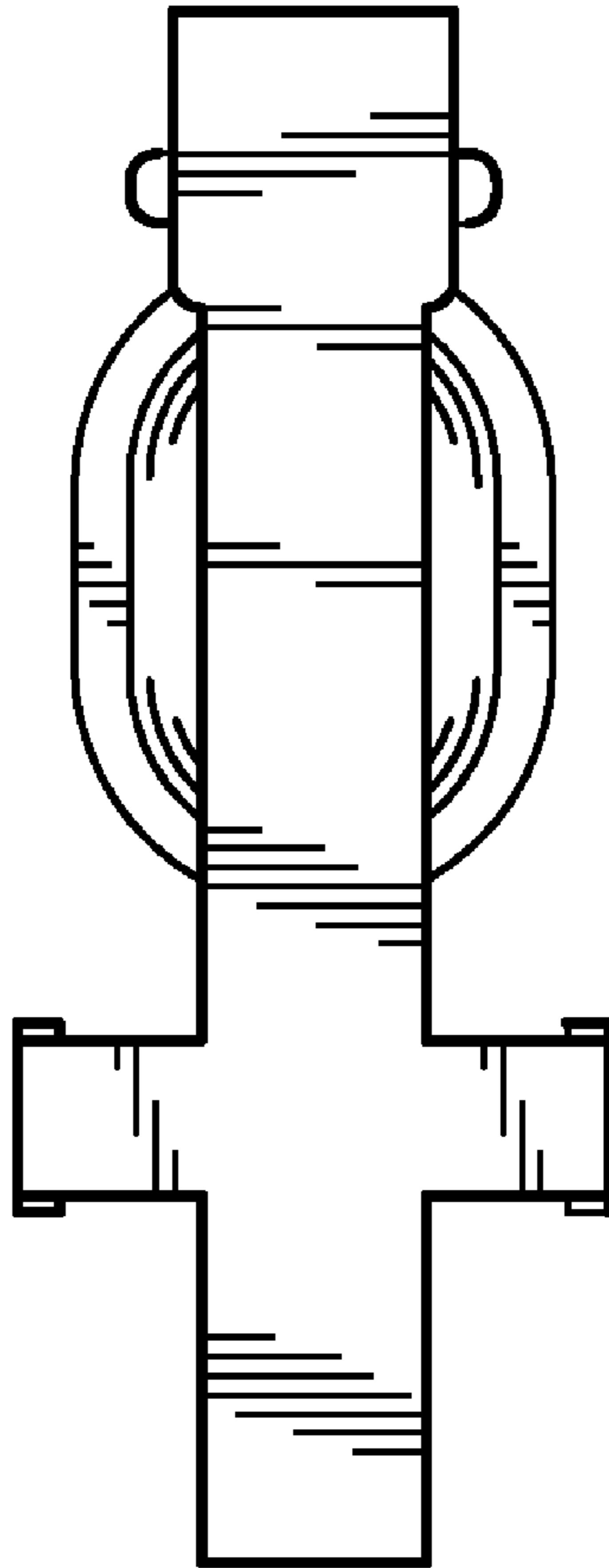


FIG. 7