



US00D567177S

(12) **United States Design Patent**
Chan

(10) **Patent No.:** **US D567,177 S**

(45) **Date of Patent:** **** Apr. 22, 2008**

(54) **END CAP FOR AN ELECTRIC MOTOR**

4,673,837 A * 6/1987 Gingerich et al. 310/239
D360,615 S * 7/1995 Sakashita et al. D13/112

(75) Inventor: **Chi Keung Chan**, Hong Kong (CN)

* cited by examiner

(73) Assignee: **Johnson Electric S.A.**, La
Chaux-de-Fonds (CH)

Primary Examiner—Prabhakar Deshmukh

Assistant Examiner—Derrick Holland

(**) Term: **14 Years**

(74) *Attorney, Agent, or Firm*—Birch, Stewart, Kolasch &
Birch, LLP

(21) Appl. No.: **29/274,708**

(57) **CLAIM**

(22) Filed: **May 17, 2007**

The ornamental design for an end cap for an electric motor,
as shown and described.

(51) **LOC (8) Cl.** **13-01**

(52) **U.S. Cl.** **D13/122**

(58) **Field of Classification Search** D13/122,
D13/112, 113, 114, 118, 199; D15/5; 310/42,
310/71, 85, 89, 239, 258, 260, 267, 268;
336/192

DESCRIPTION

See application file for complete search history.

FIG. 1 is a top view of my new design for an end cap for an
electric motor,

FIG. 2 is a view from below;

FIG. 3 is a front view;

FIG. 4 is a rear view;

FIG. 5 is a left side view;

FIG. 6 is a right side view; and,

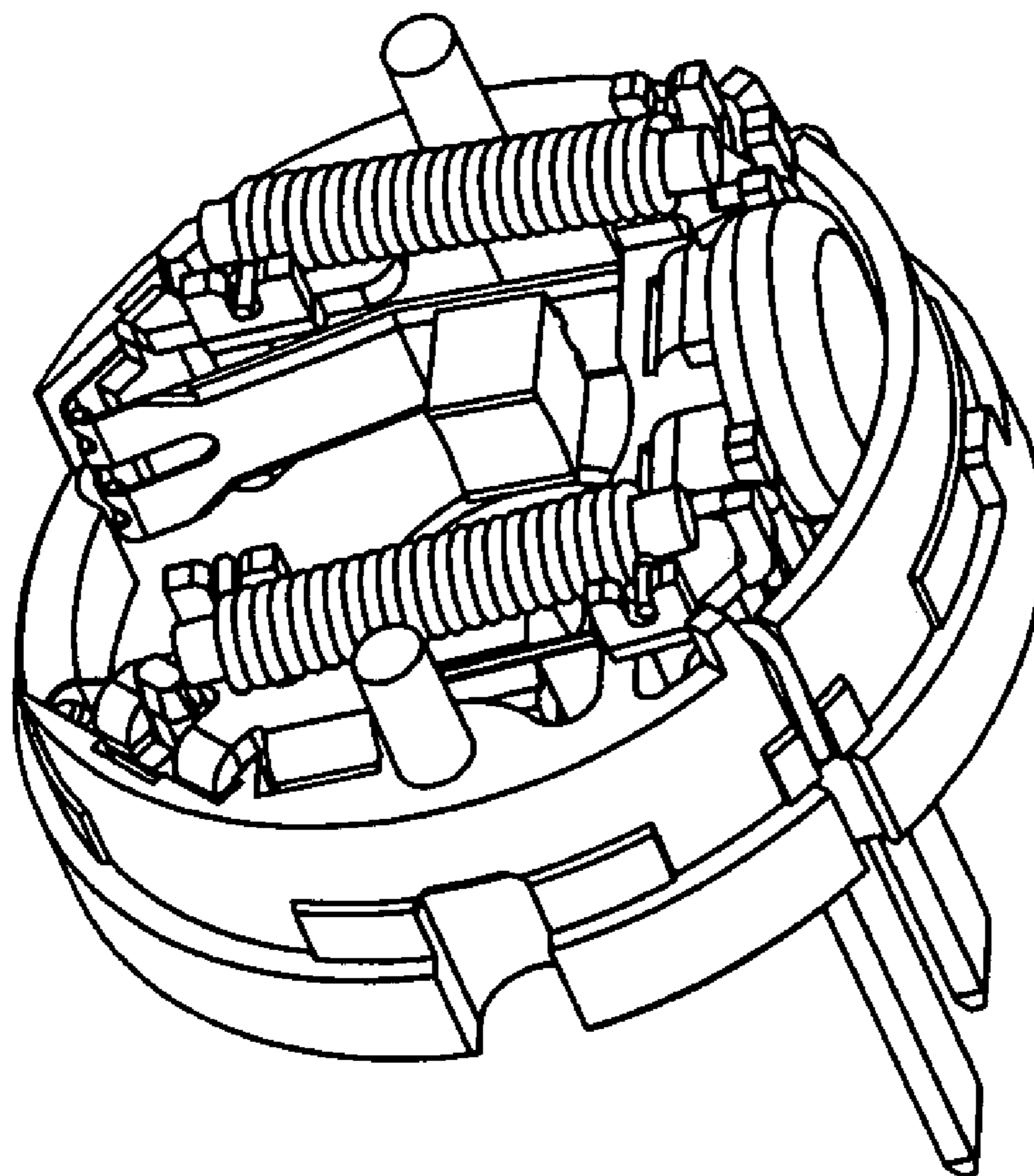
FIG. 7 is a perspective view from below, rear and right side.

(56) **References Cited**

U.S. PATENT DOCUMENTS

- D144,126 S * 3/1946 Morgan D15/5
- D181,733 S * 12/1957 Kerr D13/122
- D238,177 S * 12/1975 Ohishi D13/112
- 4,355,253 A * 10/1982 Vollbrecht 310/239
- D268,022 S * 2/1983 Lenz et al. D13/122

1 Claim, 4 Drawing Sheets



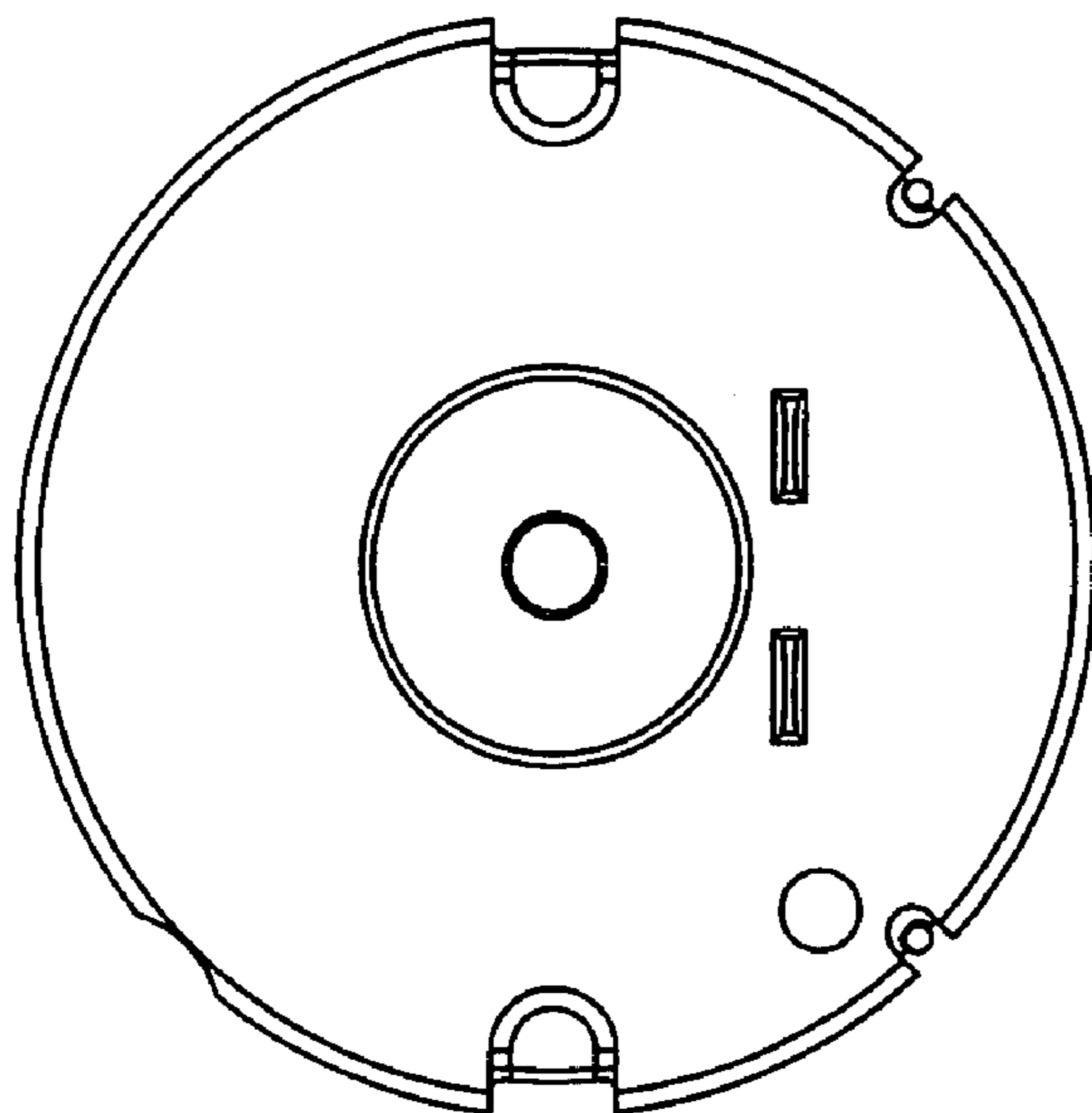


FIG. 1

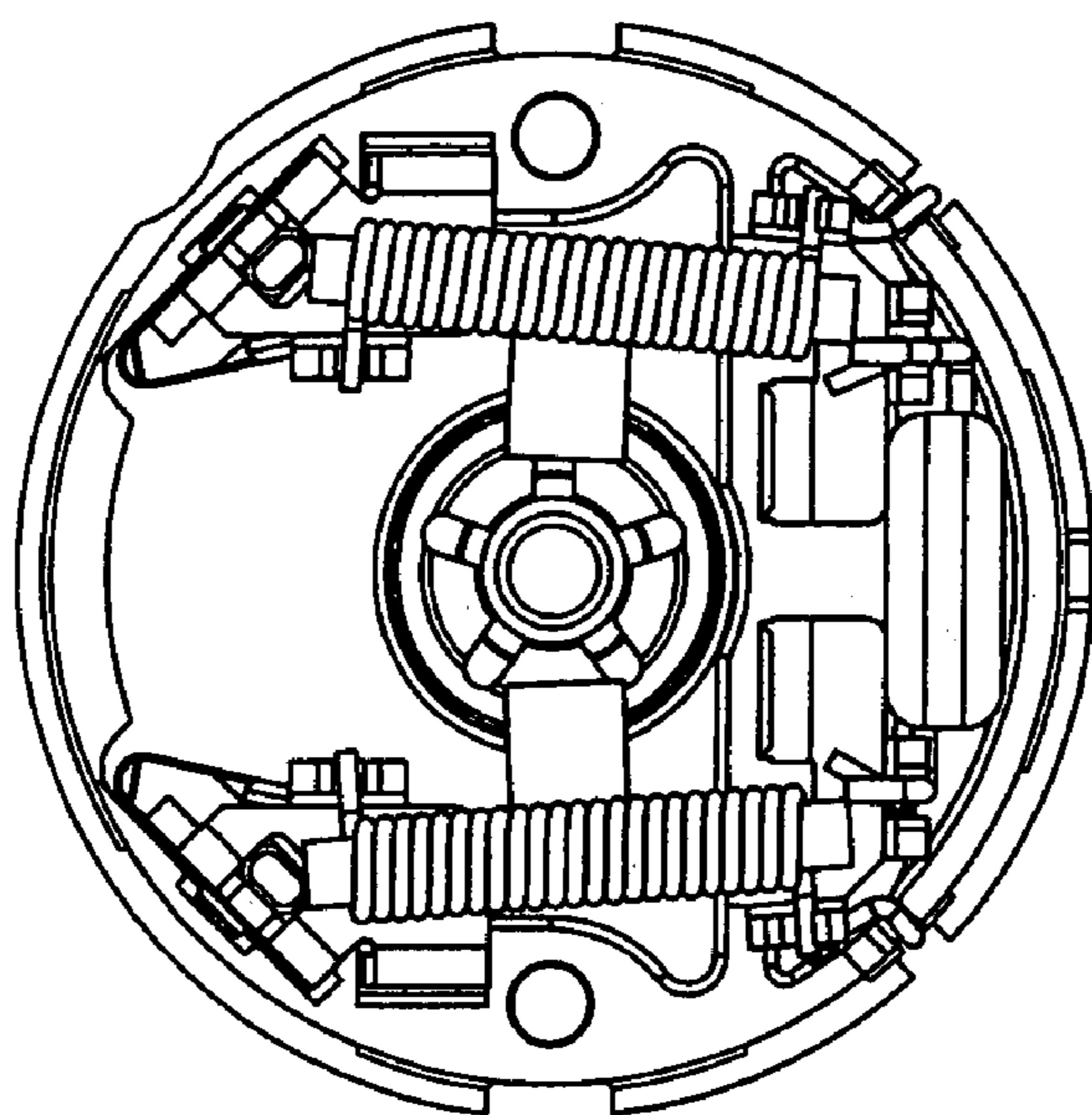


FIG. 2

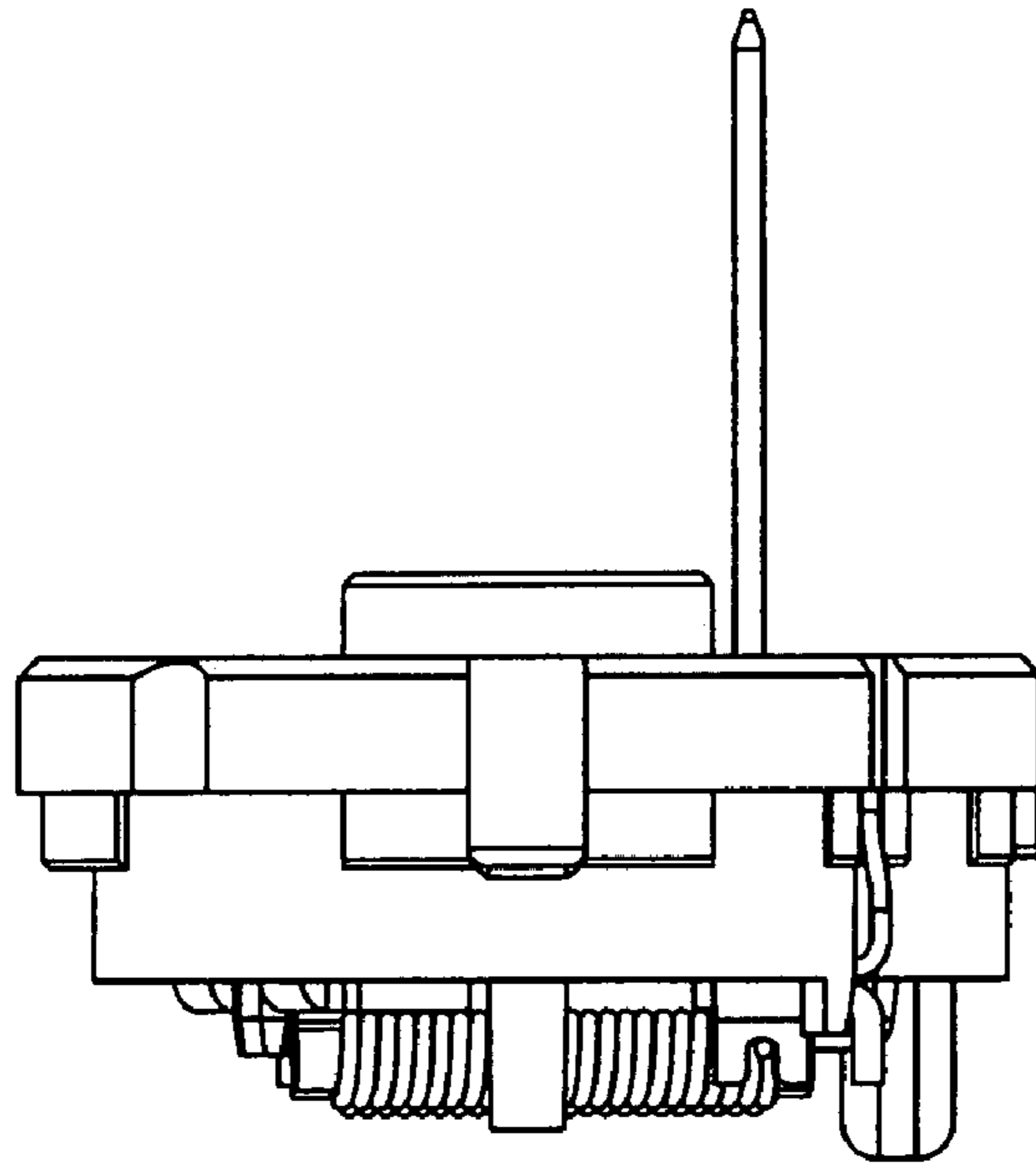


FIG. 3

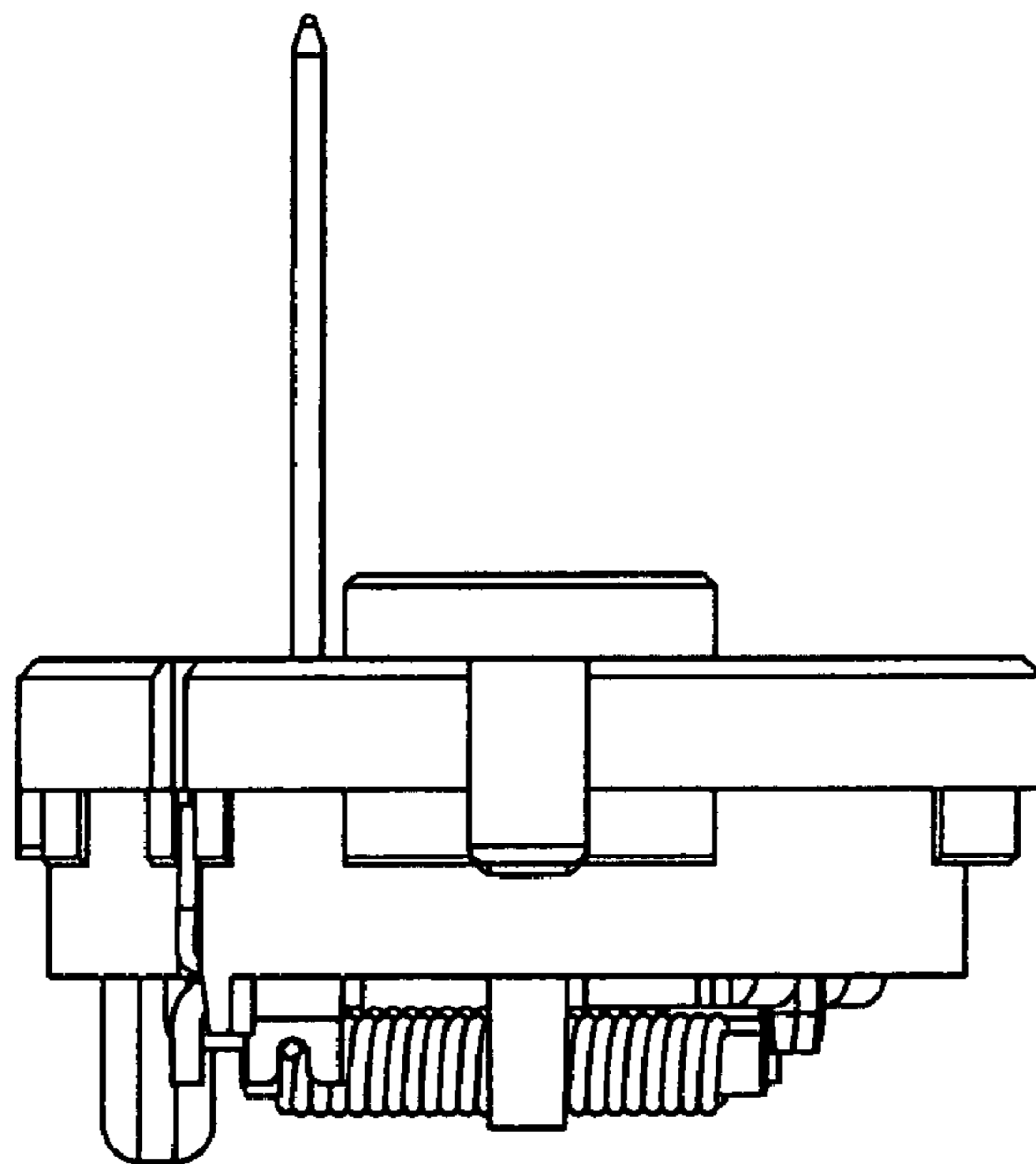


FIG. 4

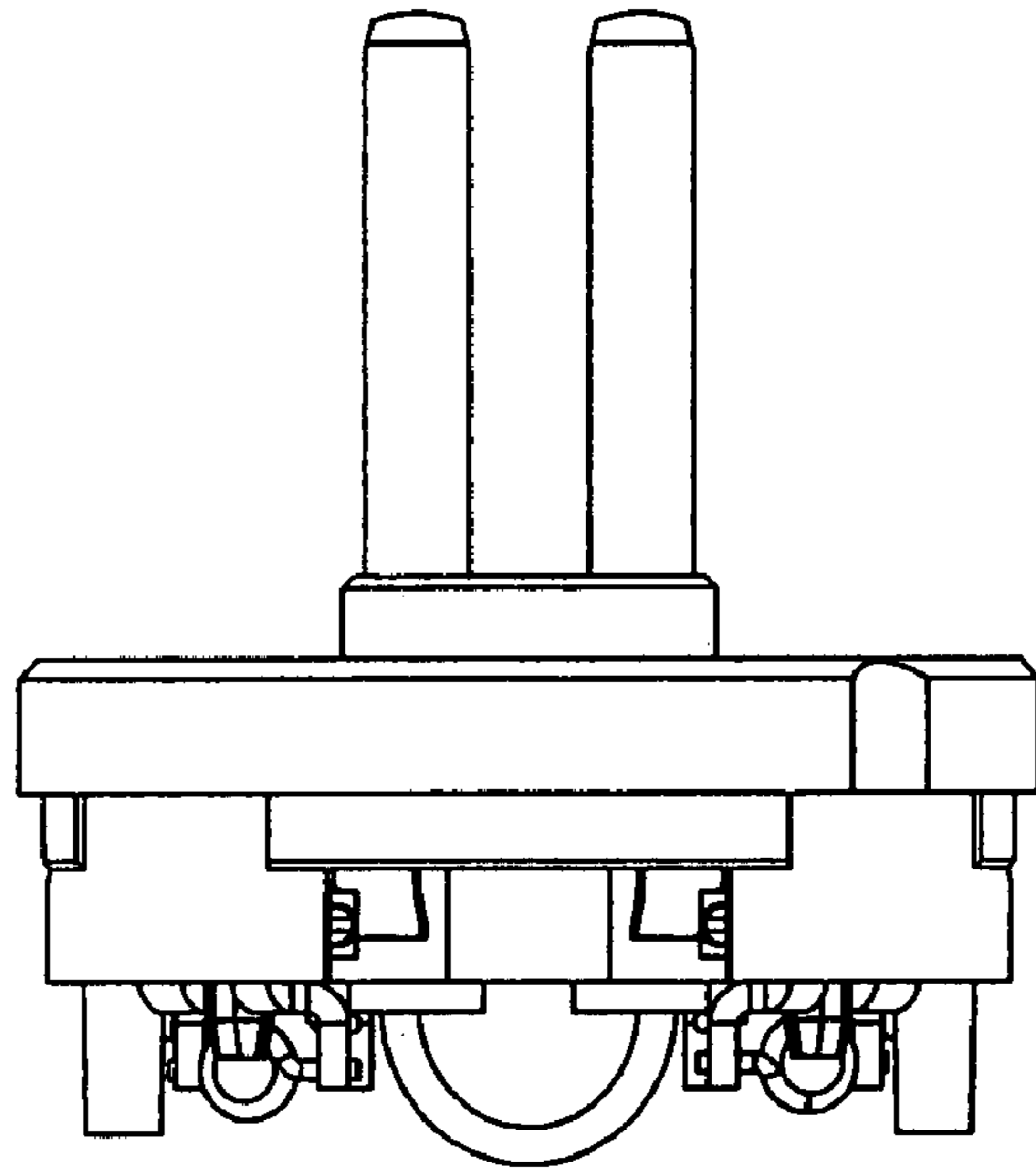


FIG. 5

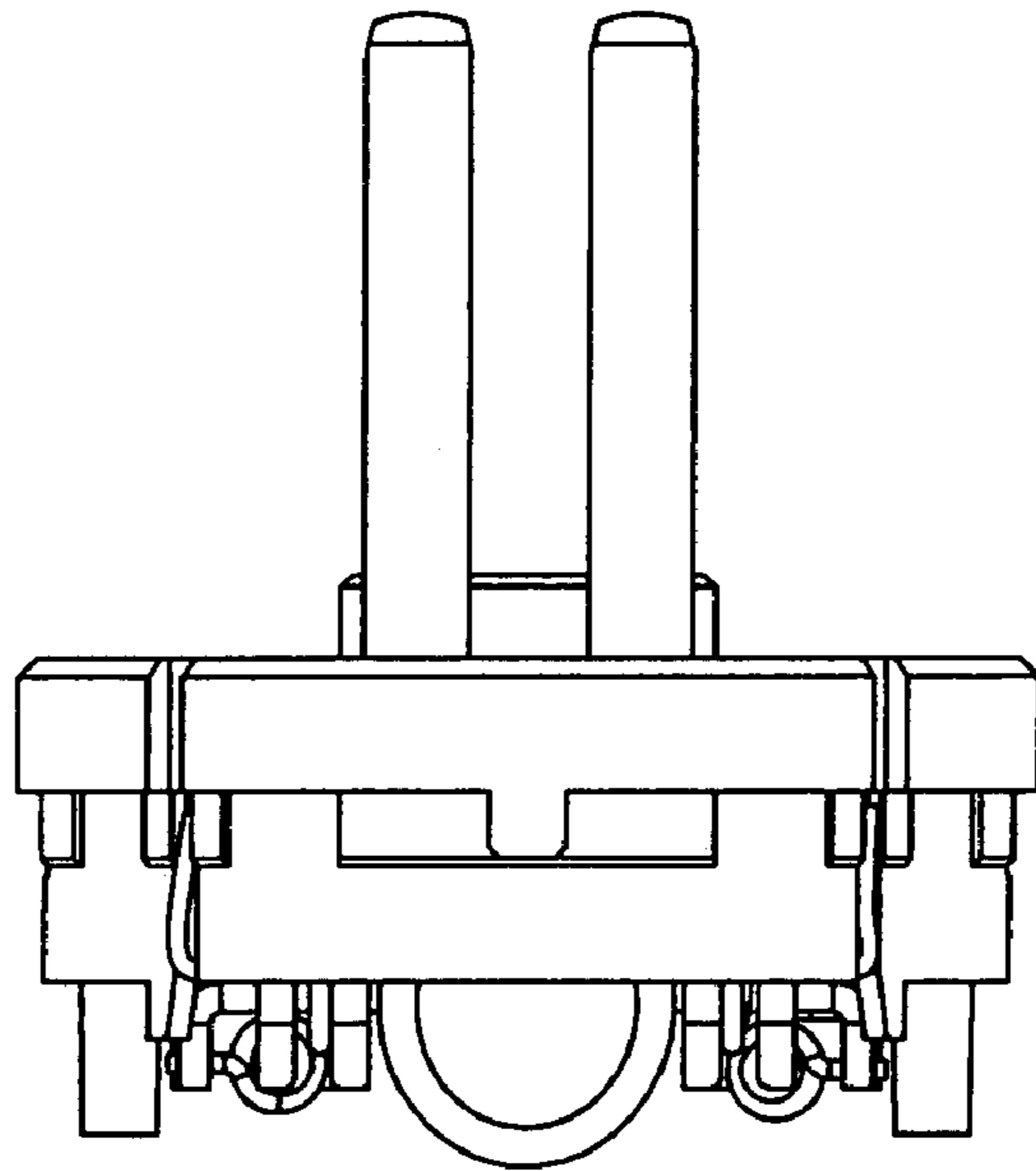


FIG. 6

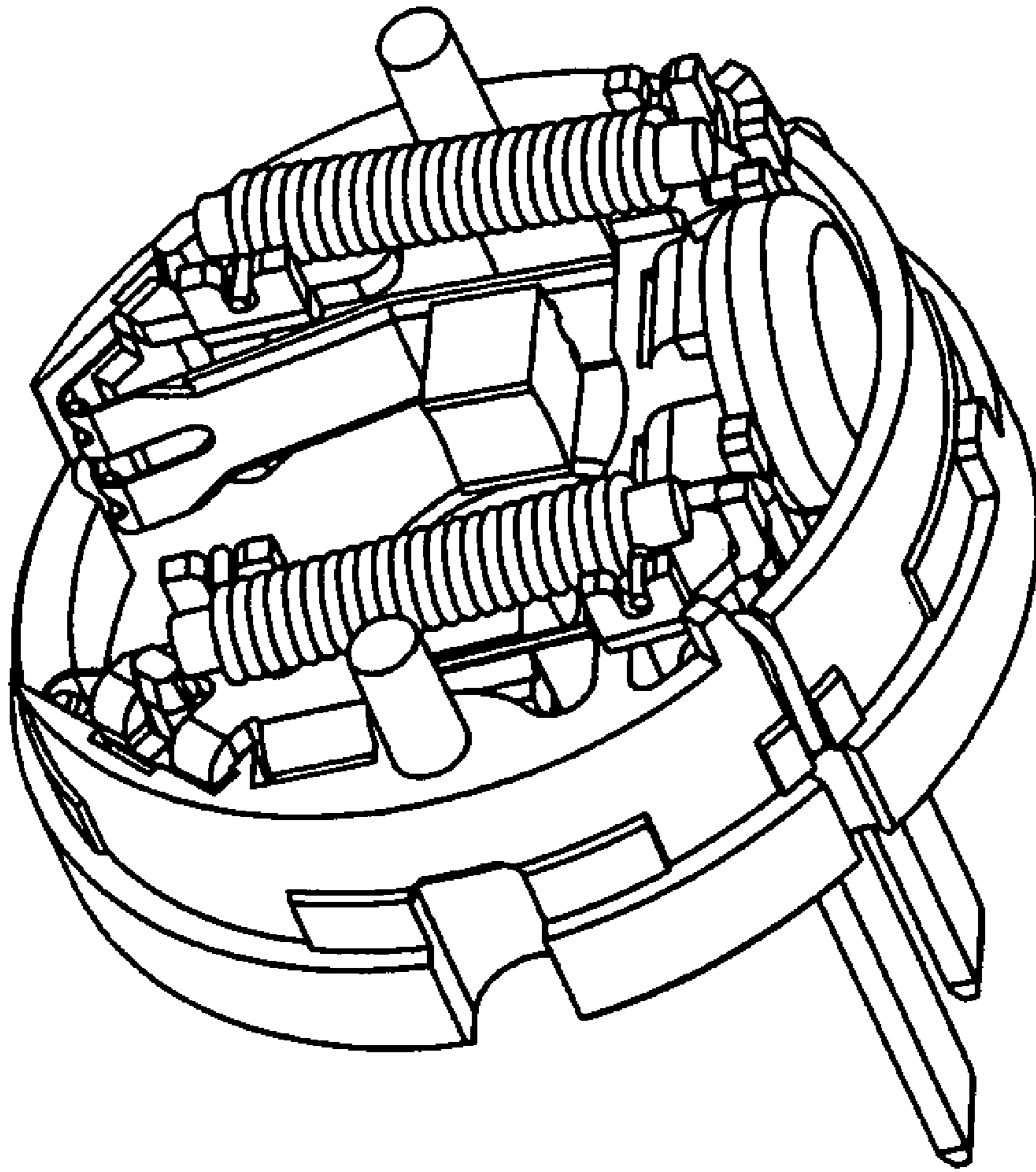


FIG. 7