



US00D567174S

(12) **United States Design Patent**  
**Jidaisho**

(10) **Patent No.:** **US D567,174 S**  
(45) **Date of Patent:** **\*\* Apr. 22, 2008**

(54) **AC-DC CONVERTER**

D483,721 S \* 12/2003 Kim et al. .... D13/110

(75) Inventor: **Toshihiko Jidaisho**, Sakado (JP)

(73) Assignee: **Tamura Corporation**, Tokyo (JP)

(\*\*) Term: **14 Years**

(21) Appl. No.: **29/270,795**

(22) Filed: **Jan. 3, 2007**

(30) **Foreign Application Priority Data**

Jul. 6, 2006 (JP) ..... 2006-017882

(51) **LOC (8) Cl.** ..... **13-02**

(52) **U.S. Cl.** ..... **D13/110**

(58) **Field of Classification Search** ..... D13/110,  
D13/101, 107, 123, 133, 138.1, 199; 307/150,  
307/151; 320/111, 114; 363/15, 34, 146;  
439/131, 172, 173, 668, 669

See application file for complete search history.

(56) **References Cited**

U.S. PATENT DOCUMENTS

D308,962 S *	7/1990	Duk	.....	D13/138.1
D350,113 S *	8/1994	Nagele	.....	D13/110
D375,483 S *	11/1996	Tashiro	.....	D13/110
6,042,400 A *	3/2000	Queffelec et al.	.....	439/131
D423,452 S *	4/2000	Fujisawa et al.	.....	D13/110
6,086,395 A *	7/2000	Lloyd et al.	.....	439/172
D428,862 S *	8/2000	Queffelec et al.	.....	D13/184
D454,537 S *	3/2002	O'Connor et al.	.....	D13/110
D456,008 S *	4/2002	Kawanobe et al.	.....	D13/110

FOREIGN PATENT DOCUMENTS

JP	5-16760	6/1993
JP	7-12364	4/1995
JP	8-13243	5/1996
JP	8-13244	5/1996
JP	8-13245	5/1996
JP	8-19522	6/1996
JP	D1070675	2/2000
JP	D1083343	6/2000
JP	D1094994	10/2000

\* cited by examiner

*Primary Examiner*—Prabhakar Deshmukh

*Assistant Examiner*—Derrick Holland

(57) **CLAIM**

The ornamental design for an AC-DC converter, as shown and described.

**DESCRIPTION**

FIG. 1 is a perspective view of an AC-DC converter showing my new design;

FIG. 2 is a top plan view thereof;

FIG. 3 is a bottom plan view thereof;

FIG. 4 is a left side view thereof;

FIG. 5 is a right side view thereof;

FIG. 6 is a front elevational view thereof; and,

FIG. 7 is rear elevational view thereof.

**1 Claim, 6 Drawing Sheets**

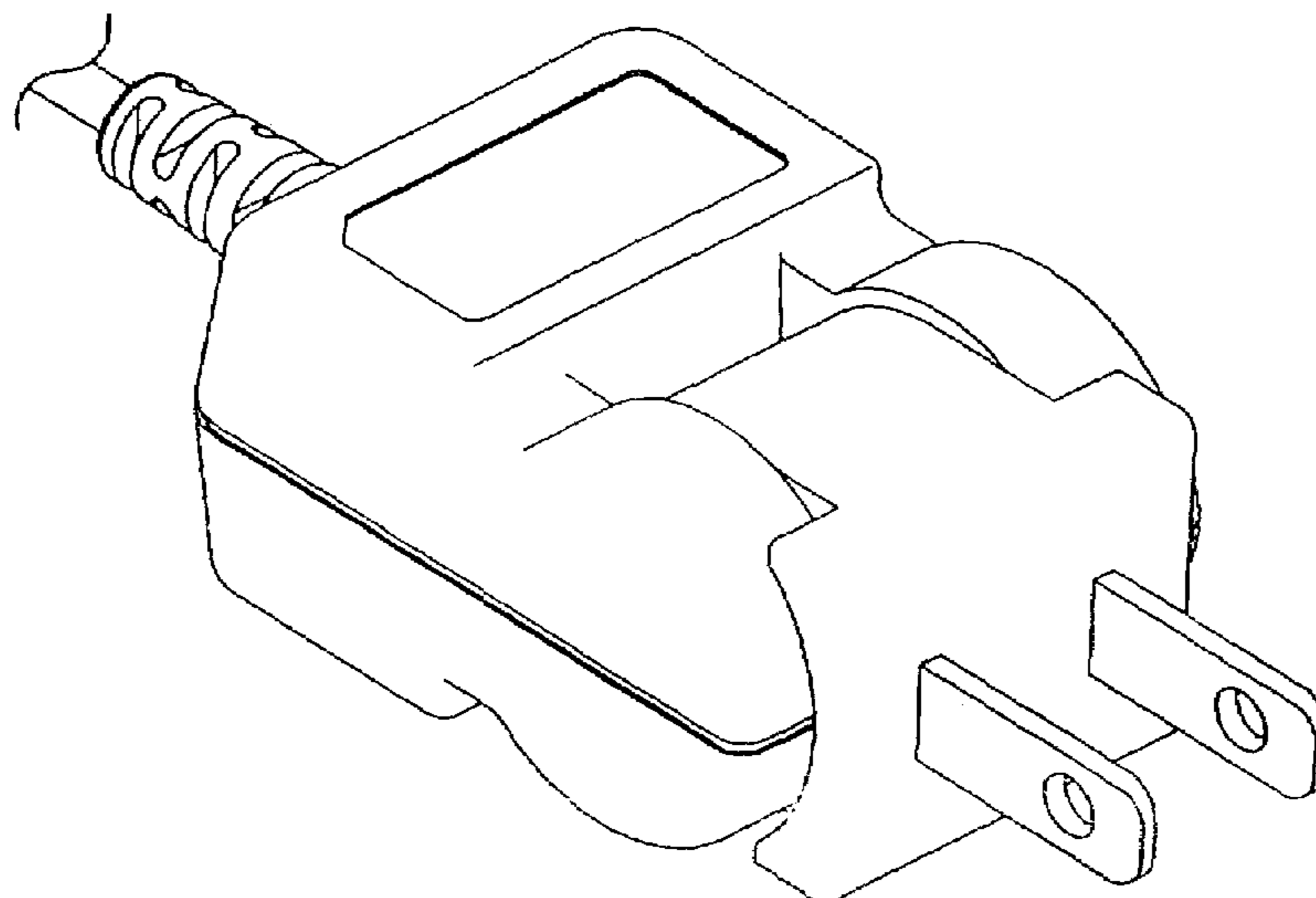


FIG. 1

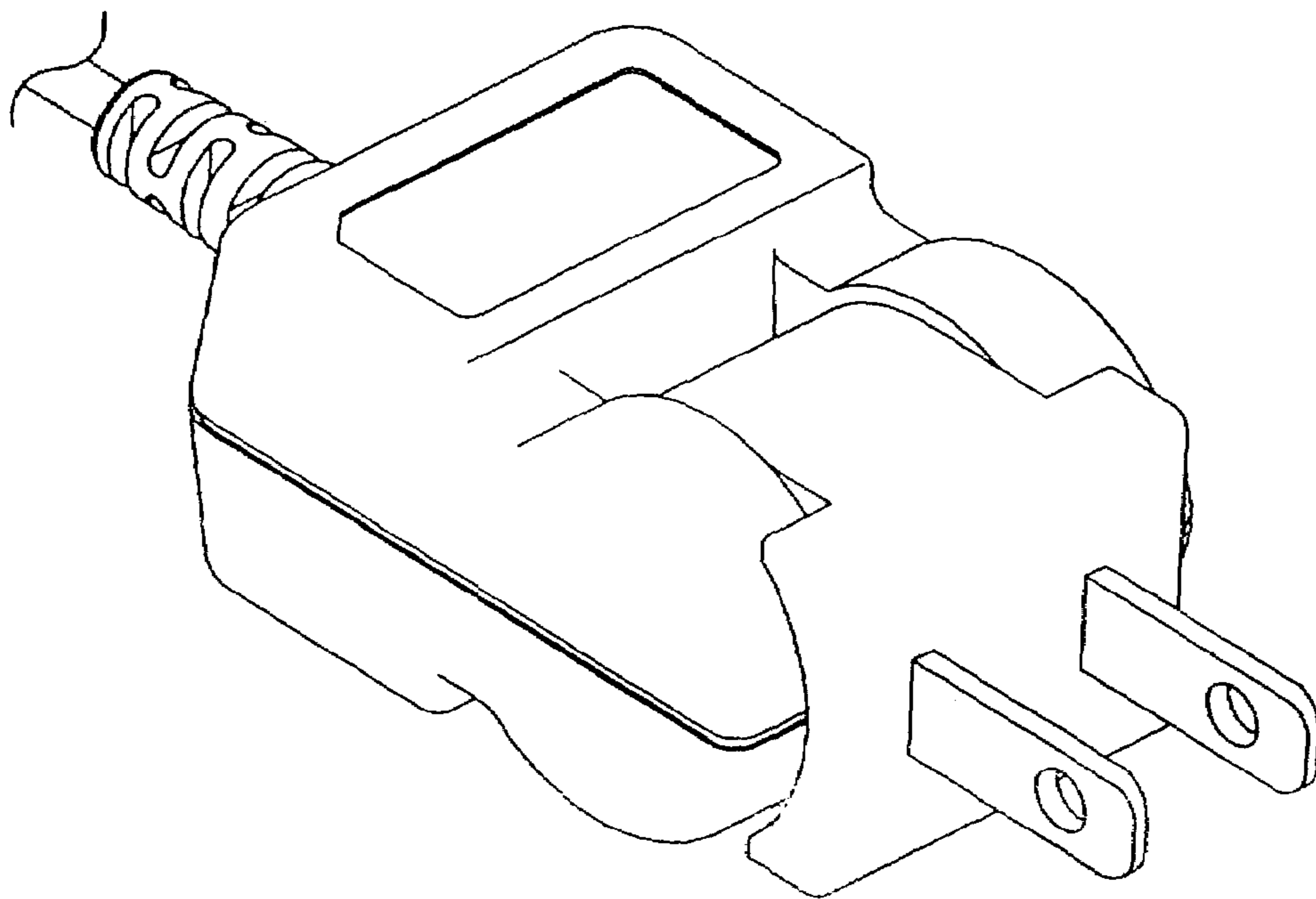


FIG. 2

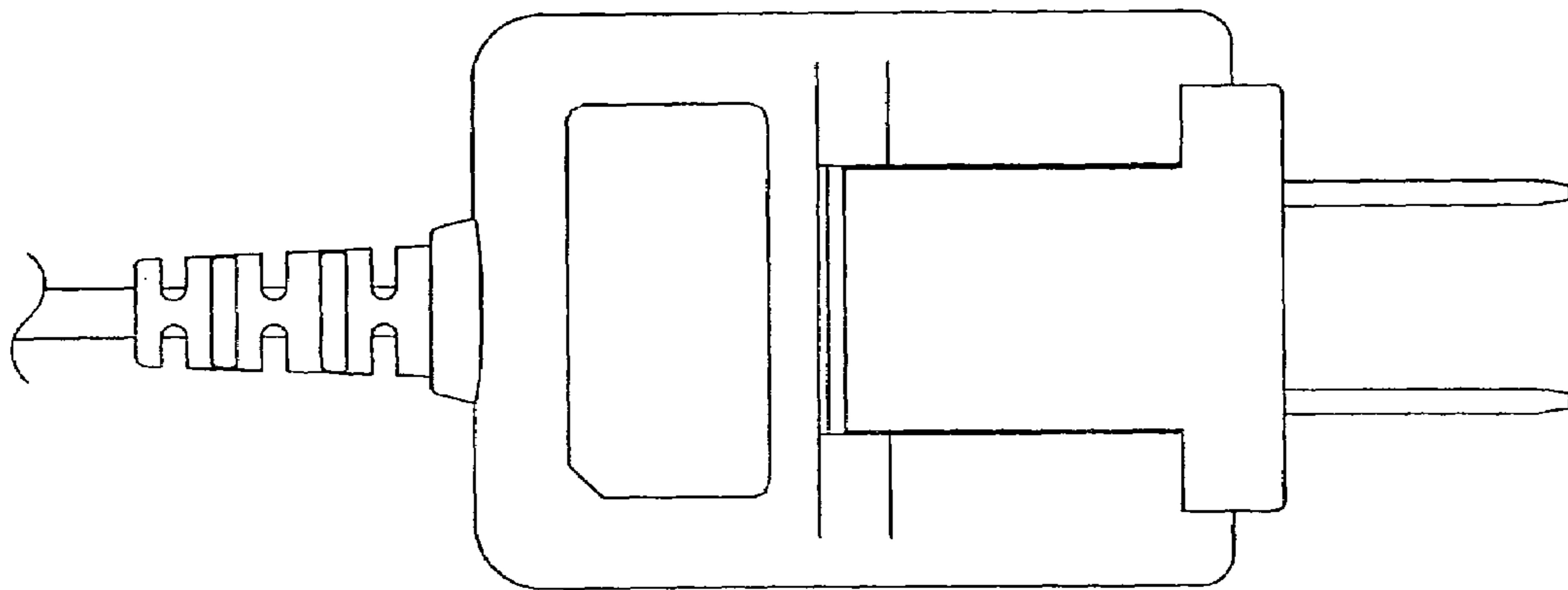


FIG. 3

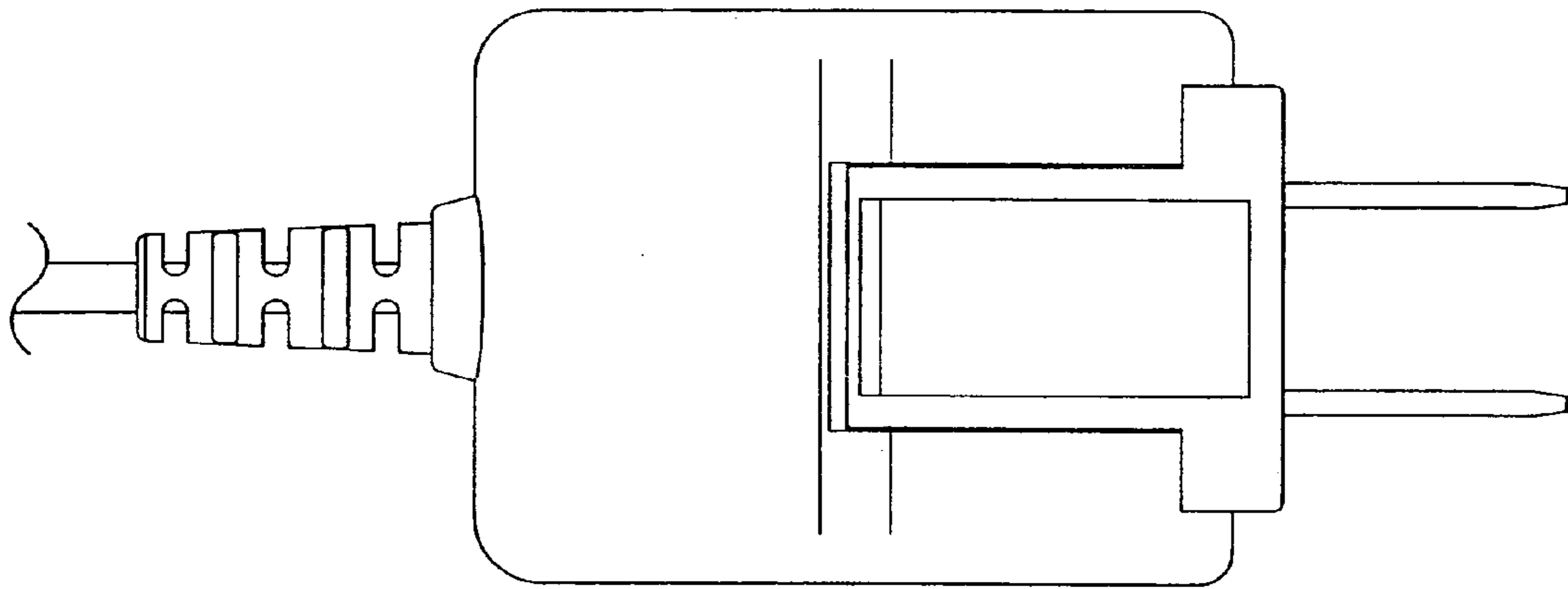


FIG. 4

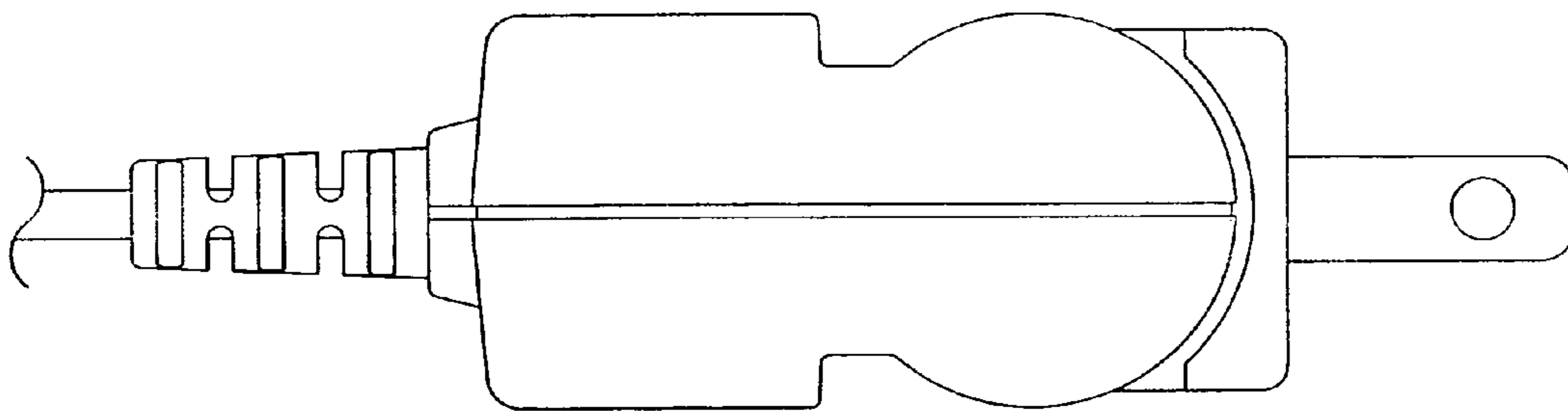


FIG. 5

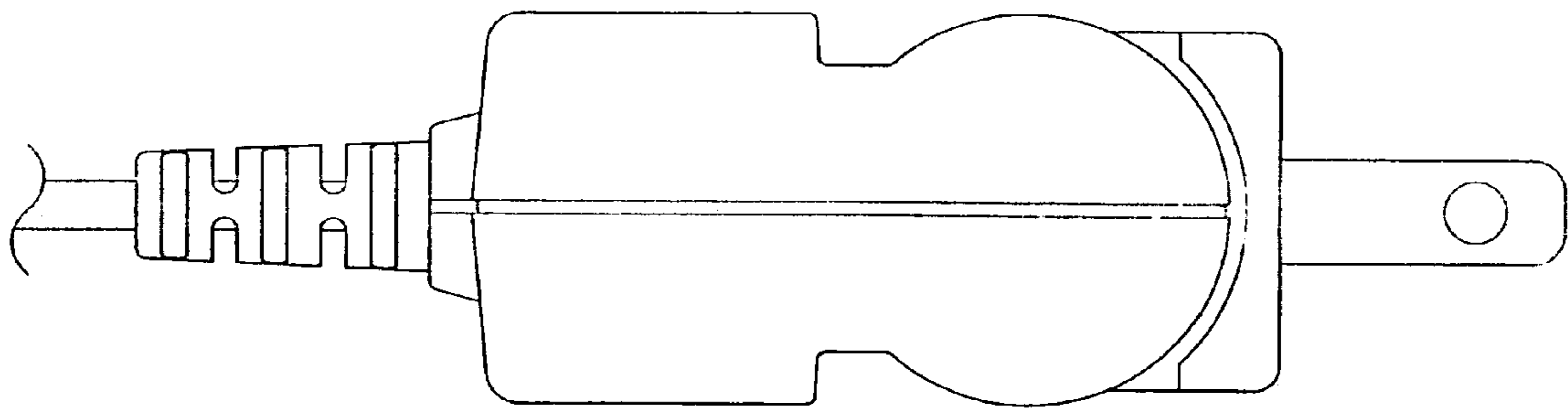


FIG. 6

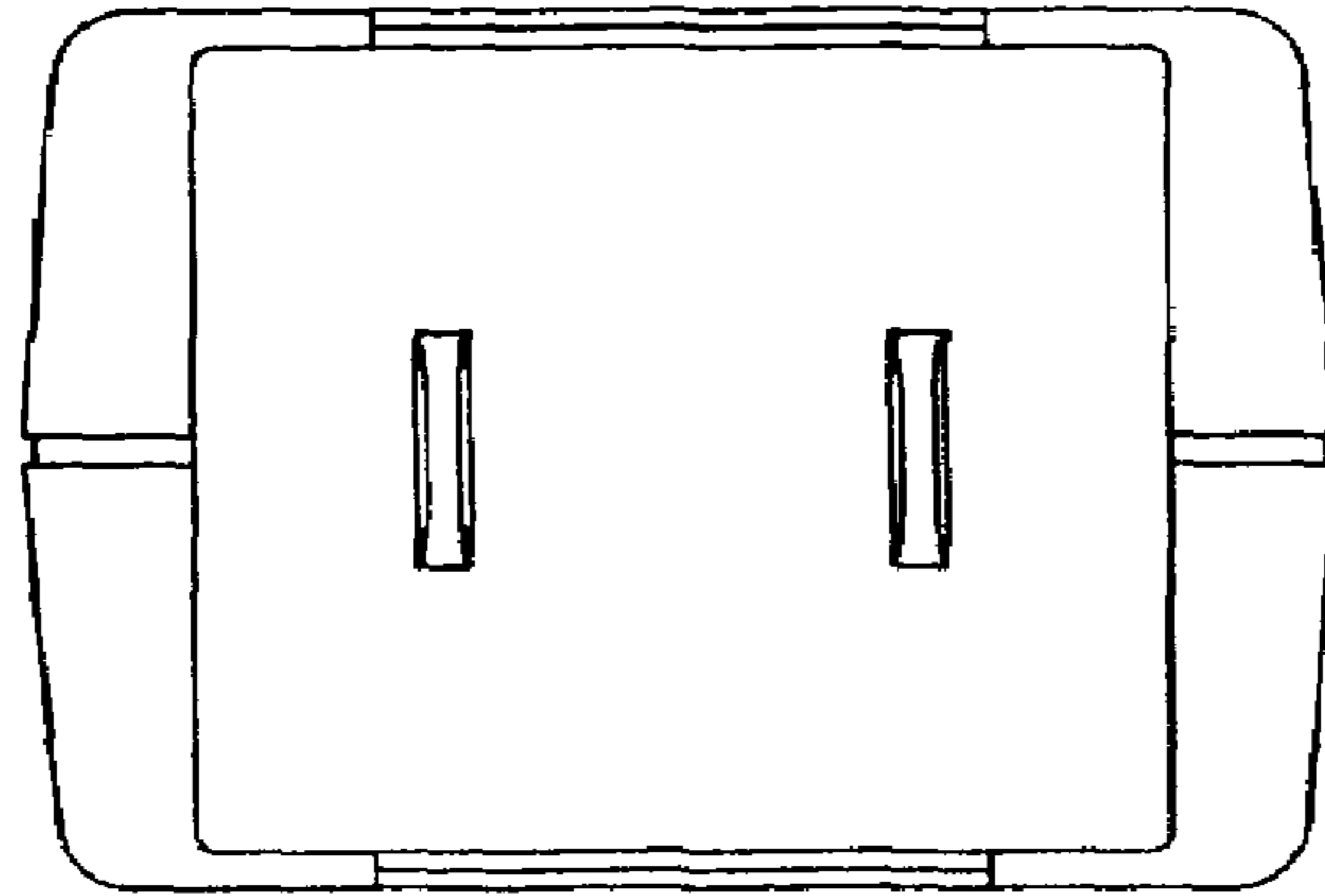


FIG. 7

