

US00D567170S

(12) **United States Design Patent**
Chung et al.

(10) **Patent No.:** **US D567,170 S**
(45) **Date of Patent:** **** Apr. 22, 2008**

(54) **SOLAR PANEL**

D542,959 S 5/2007 Yao

(75) Inventors: **Wai Wah Chung**, Hong Kong (CN);
Ka Kin Ho, Hong Kong (CN)

(73) Assignee: **The Brinkmann Corporation**, Dallas,
TX (US)

(**) Term: **14 Years**

(21) Appl. No.: **29/291,576**

(22) Filed: **Sep. 4, 2007**

(51) **LOC (8) Cl.** **13-02**

(52) **U.S. Cl.** **D13/102**

(58) **Field of Classification Search** D13/102,
D13/106, 107, 199; 136/244, 245; 320/101
See application file for complete search history.

(56) **References Cited**

U.S. PATENT DOCUMENTS

D311,722 S *	10/1990	Cheng	D13/102
5,522,943 A *	6/1996	Spencer et al.	136/245
D391,921 S *	3/1998	Zimmer et al.	D13/102
D479,191 S *	9/2003	Peress et al.	D13/102
6,650,085 B2 *	11/2003	Lau et al.	320/101
D489,680 S *	5/2004	Stobart	D13/107
D493,768 S *	8/2004	Lam	D13/102

OTHER PUBLICATIONS

Home Security Motion Activated Lighting System Model SL-7
—Owner’s Manual (2006).

* cited by examiner

Primary Examiner—Prabhakar Deshmukh

Assistant Examiner—Derrick Holland

(74) *Attorney, Agent, or Firm*—Sheppard, Mullin, Richter &
Hampton LLP

(57) **CLAIM**

We claim the ornamental design for a solar panel, as shown
and described.

DESCRIPTION

FIG. 1 is a perspective view of a solar panel showing the
new design;

FIG. 2 is a front elevational view;

FIG. 3 is a rear elevational view;

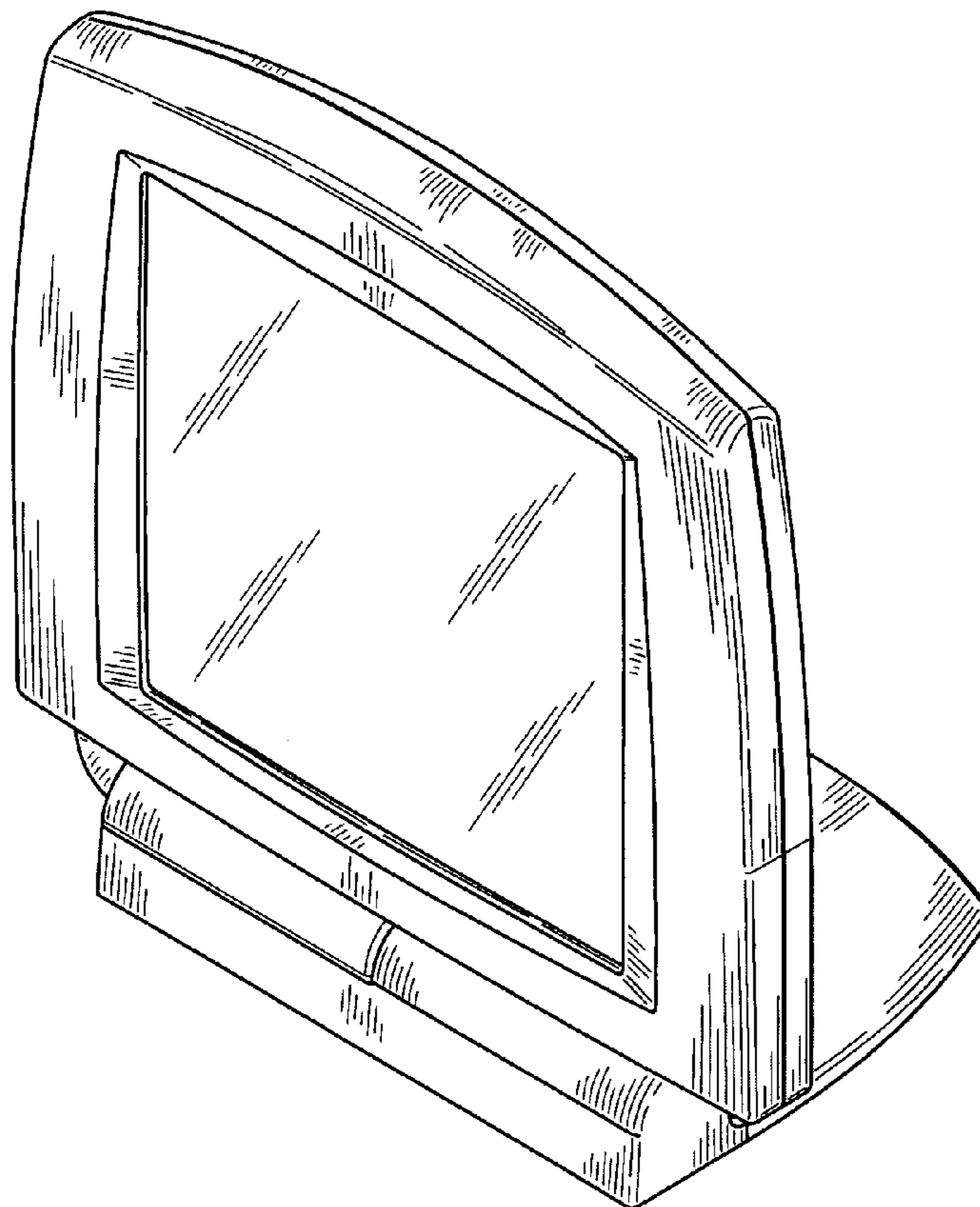
FIG. 4 is a left side elevational view thereof;

FIG. 5 is a right side elevational view thereof;

FIG. 6 is a top plan view thereof; and,

FIG. 7 is a bottom plan view thereof.

1 Claim, 4 Drawing Sheets



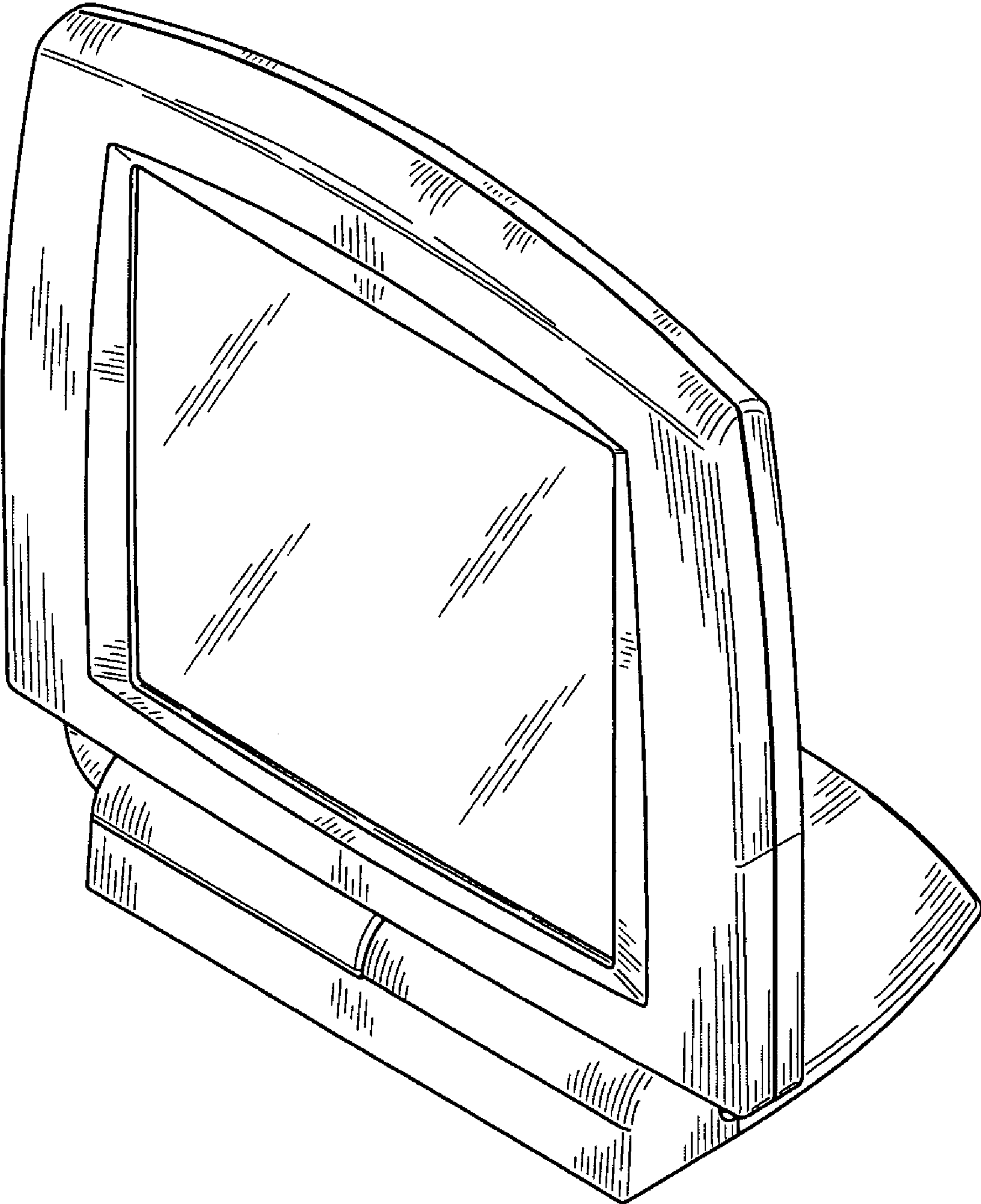


FIG. 1

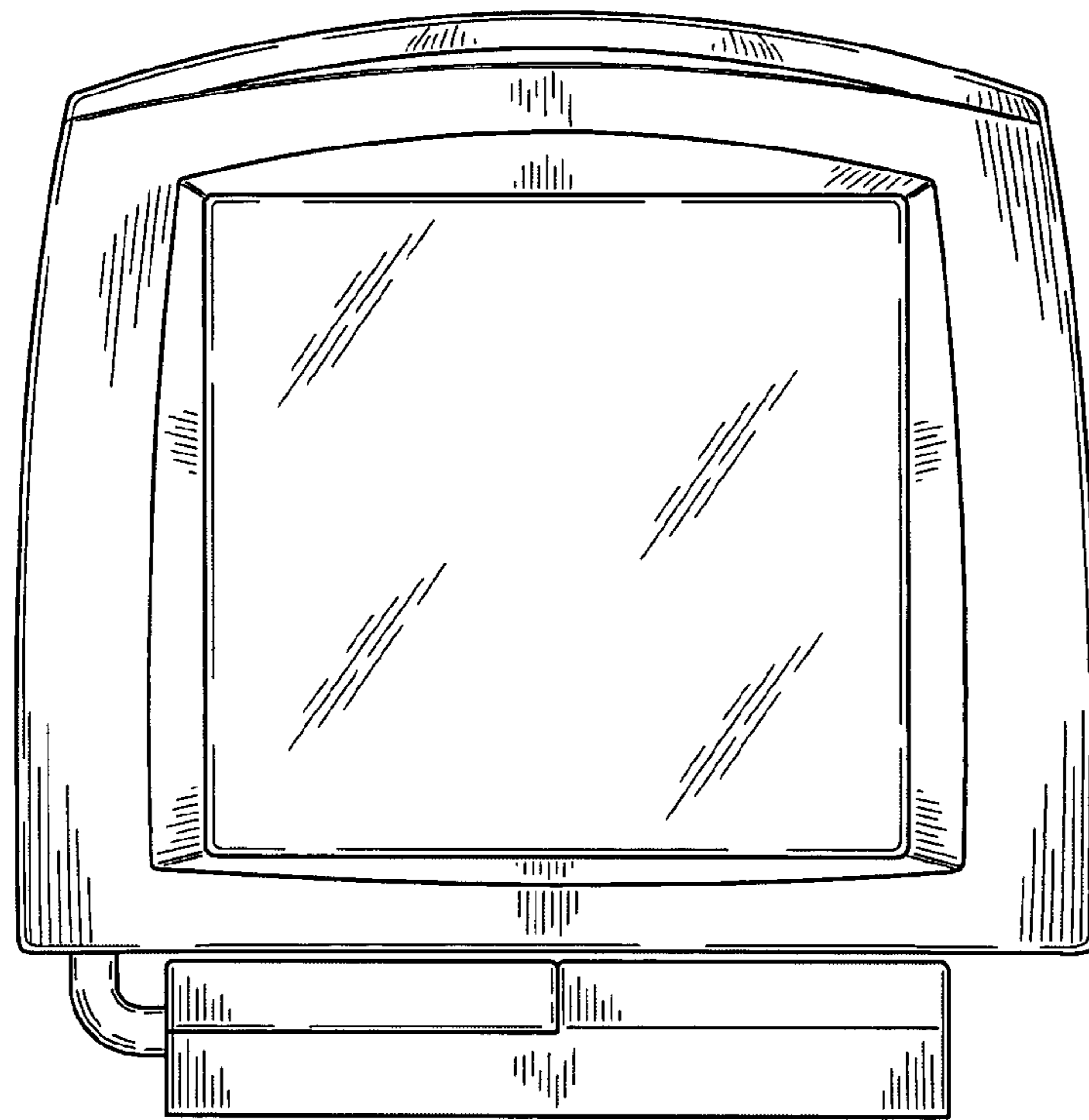


FIG. 2

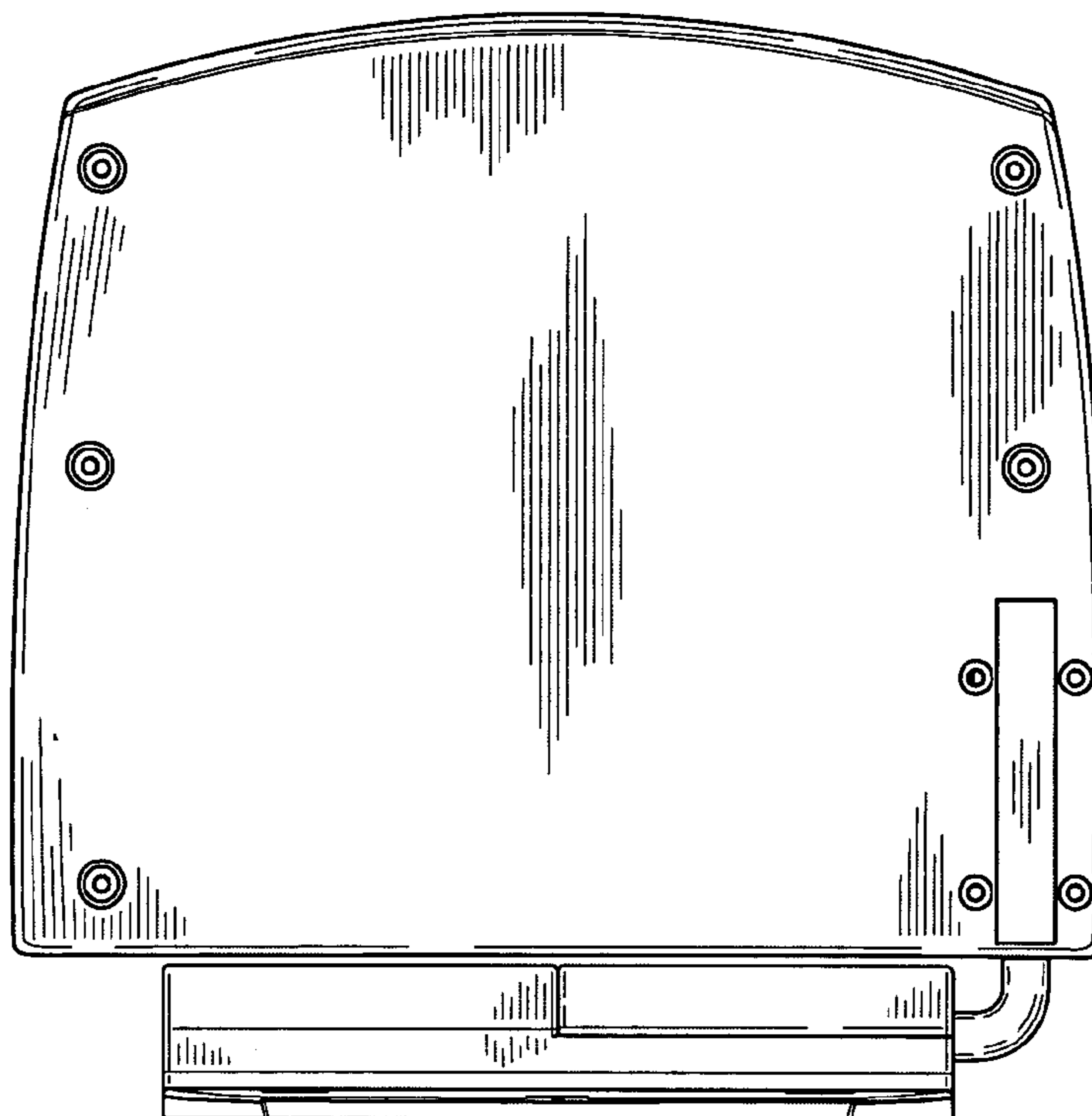


FIG. 3

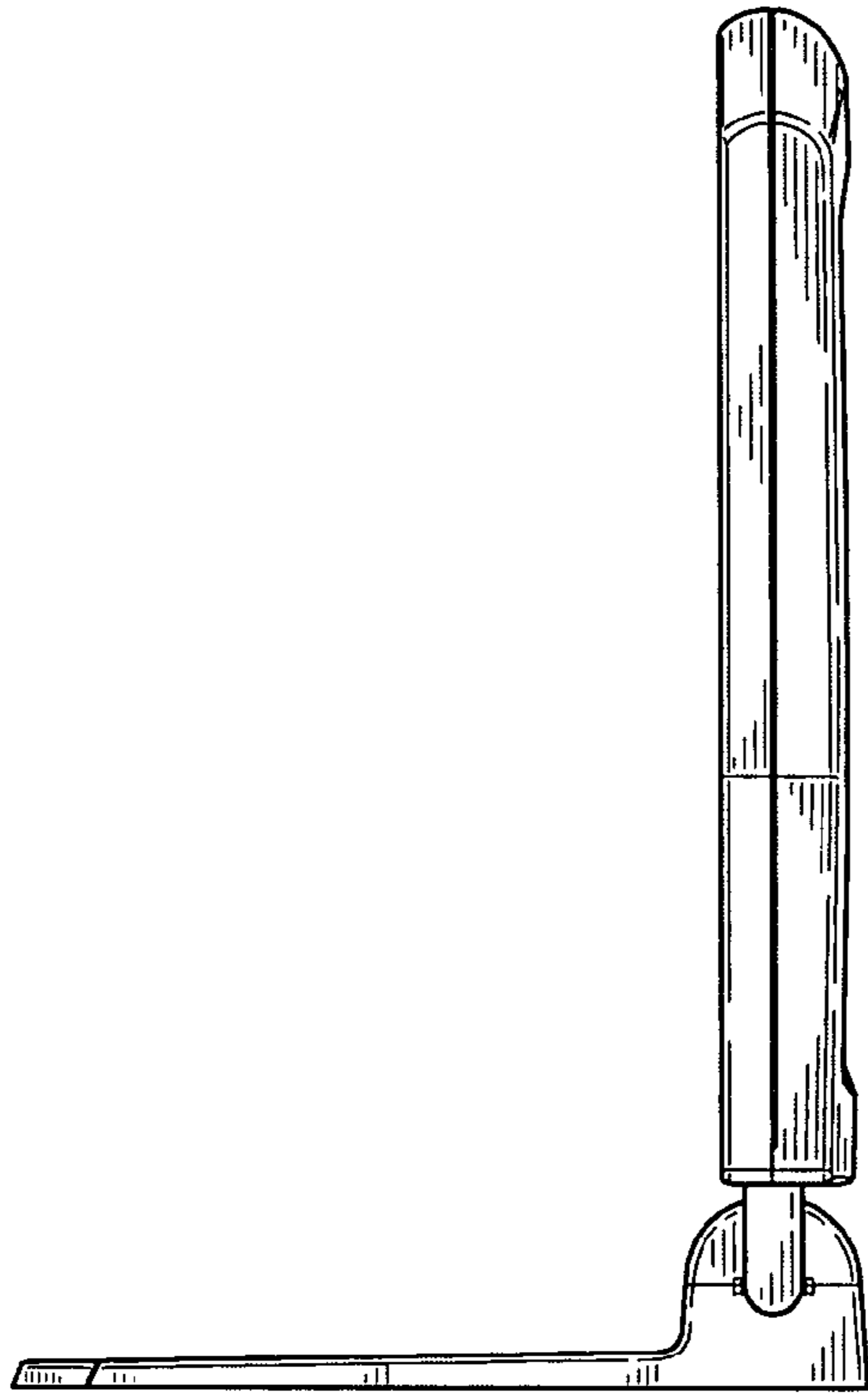


FIG. 4

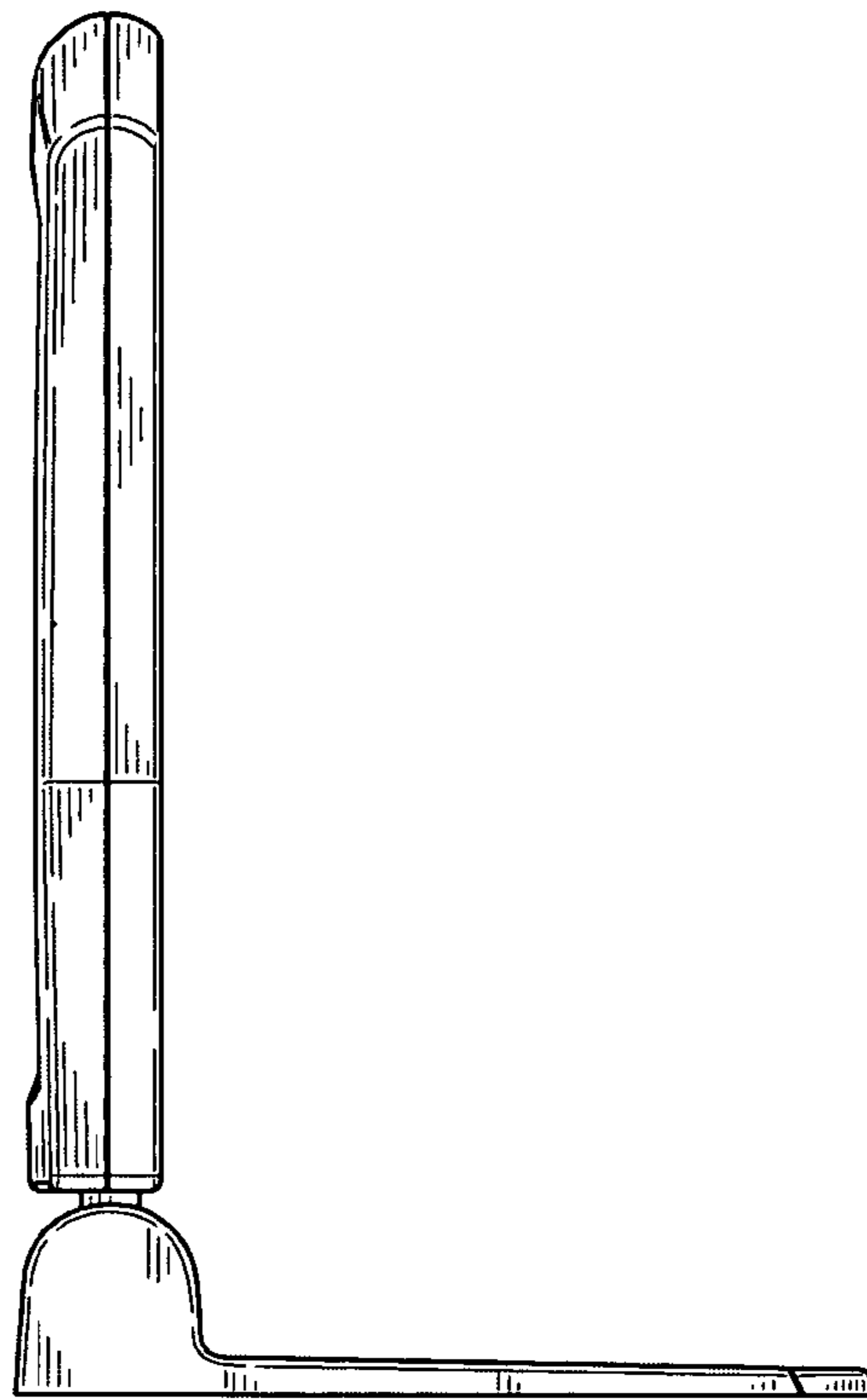


FIG. 5

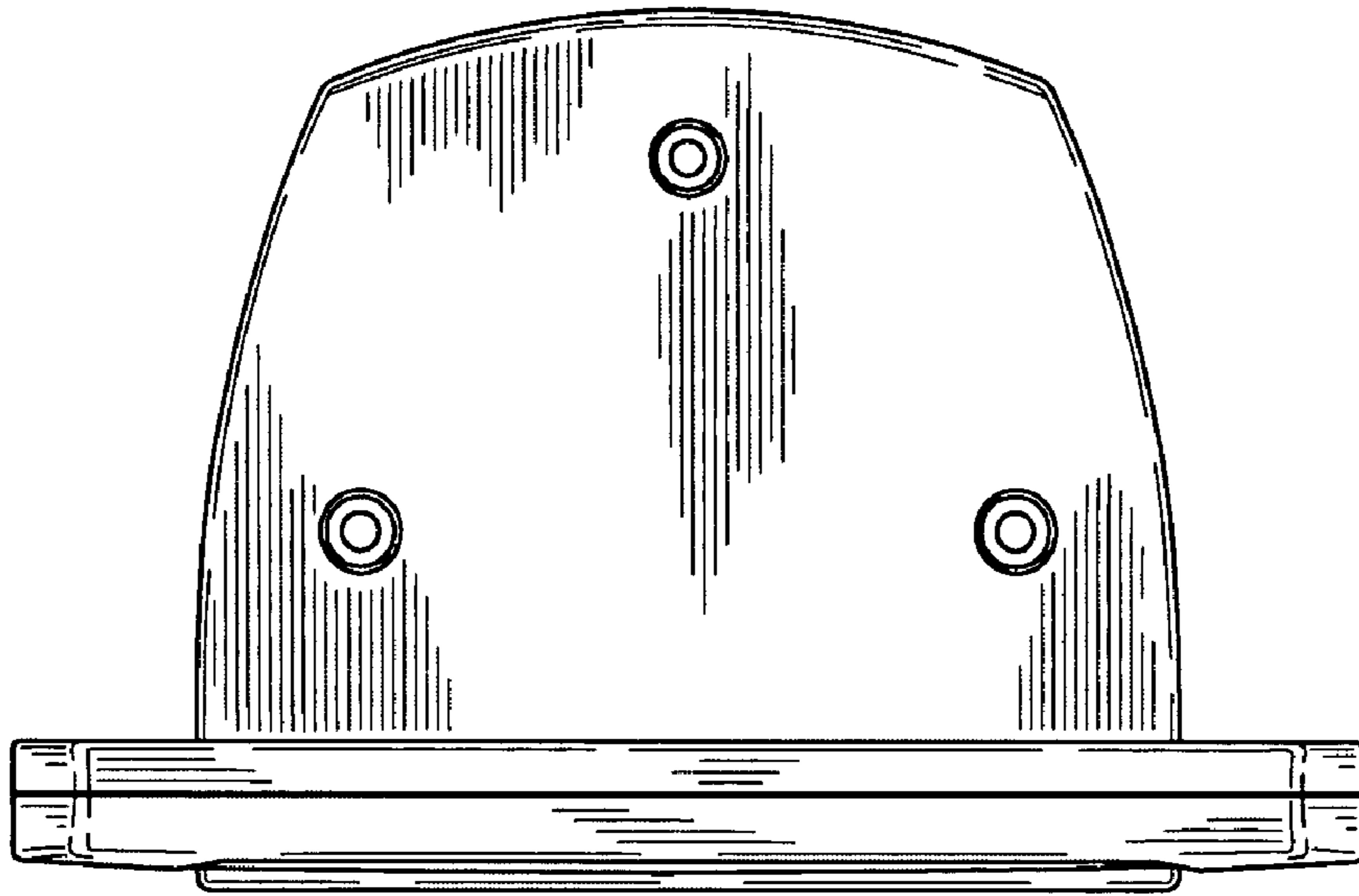


FIG. 6

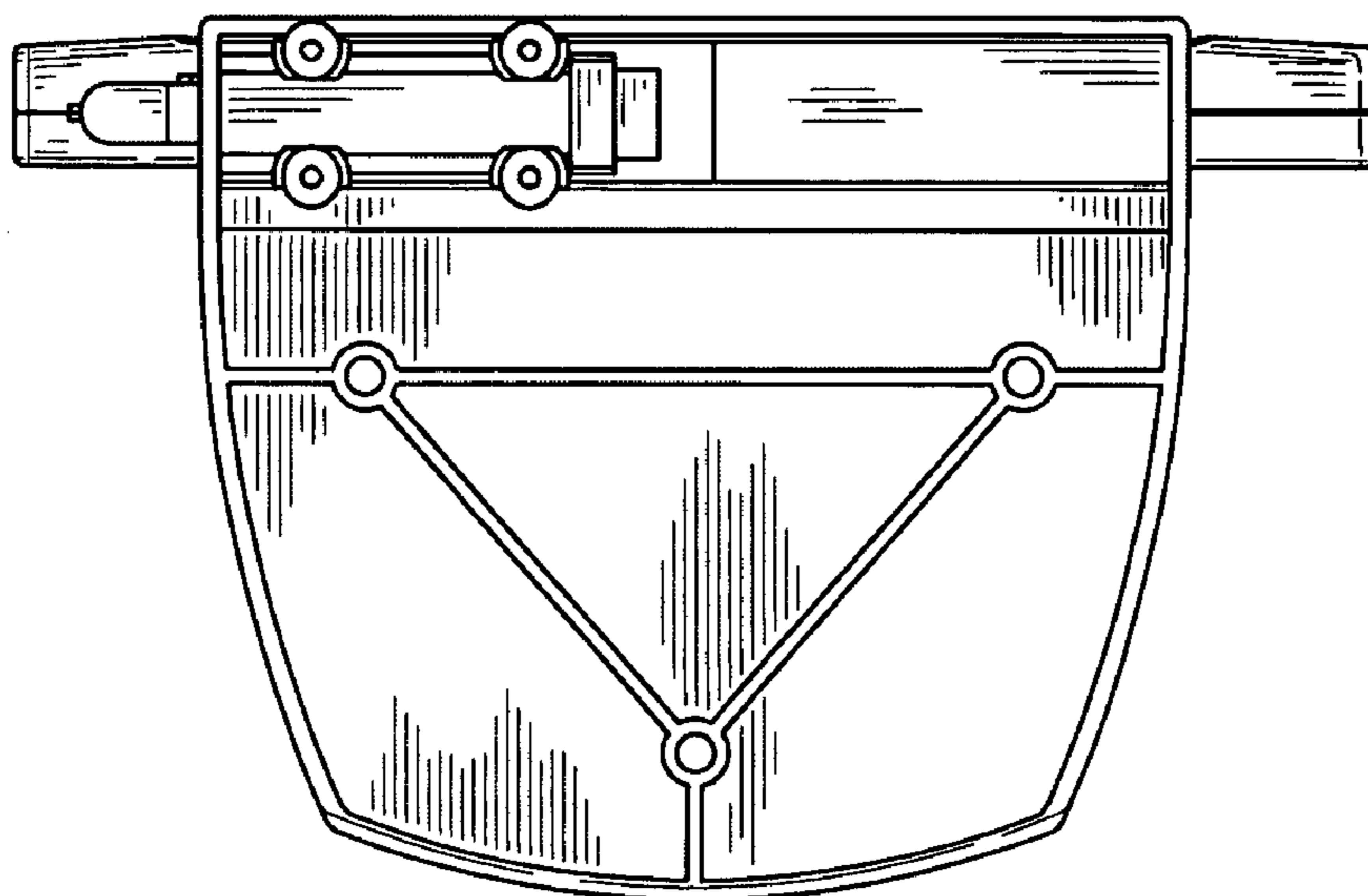


FIG. 7