



US00D567167S

(12) **United States Design Patent**
Forster

(10) **Patent No.:** **US D567,167 S**

(45) **Date of Patent:** **** Apr. 22, 2008**

(54) **FRONT FACE OF A VEHICLE WHEEL**

(75) Inventor: **Kaye Forster**, Regis (GB)

(73) Assignee: **Bayerische Motoren Werke
Aktiengesellschaft**, Munich (DE)

(**) Term: **14 Years**

(21) Appl. No.: **29/287,170**

(22) Filed: **Jul. 6, 2007**

(30) **Foreign Application Priority Data**

Jan. 9, 2007 (DE) 4 07 00 144

(51) **LOC (8) Cl.** **12-16**

(52) **U.S. Cl.** **D12/211**

(58) **Field of Classification Search** D12/204-213;
301/37.101, 64.101, 65, 64.201
See application file for complete search history.

(56) **References Cited**

U.S. PATENT DOCUMENTS

- D504,097 S * 4/2005 Markefka D12/209
- D504,381 S 4/2005 Rice
- D505,372 S * 5/2005 Kushartanto D12/209

- D516,002 S * 2/2006 Fahr-Becker D12/211
- D521,438 S * 5/2006 Nordmann D12/211
- D522,434 S * 6/2006 Langer D12/209
- D530,252 S * 10/2006 Gabath D12/209
- D537,026 S * 2/2007 Nordmann D12/209
- D540,238 S * 4/2007 Sycha D12/209
- D540,240 S * 4/2007 Kountouras D12/211
- D542,207 S * 5/2007 Gauffres D12/211
- D550,141 S * 9/2007 Davidson D12/211

* cited by examiner

Primary Examiner—Stacia Cadmus

(74) *Attorney, Agent, or Firm*—Crowell & Moring LLP

(57) **CLAIM**

The ornamental design for a front face of a vehicle wheel, as shown and described.

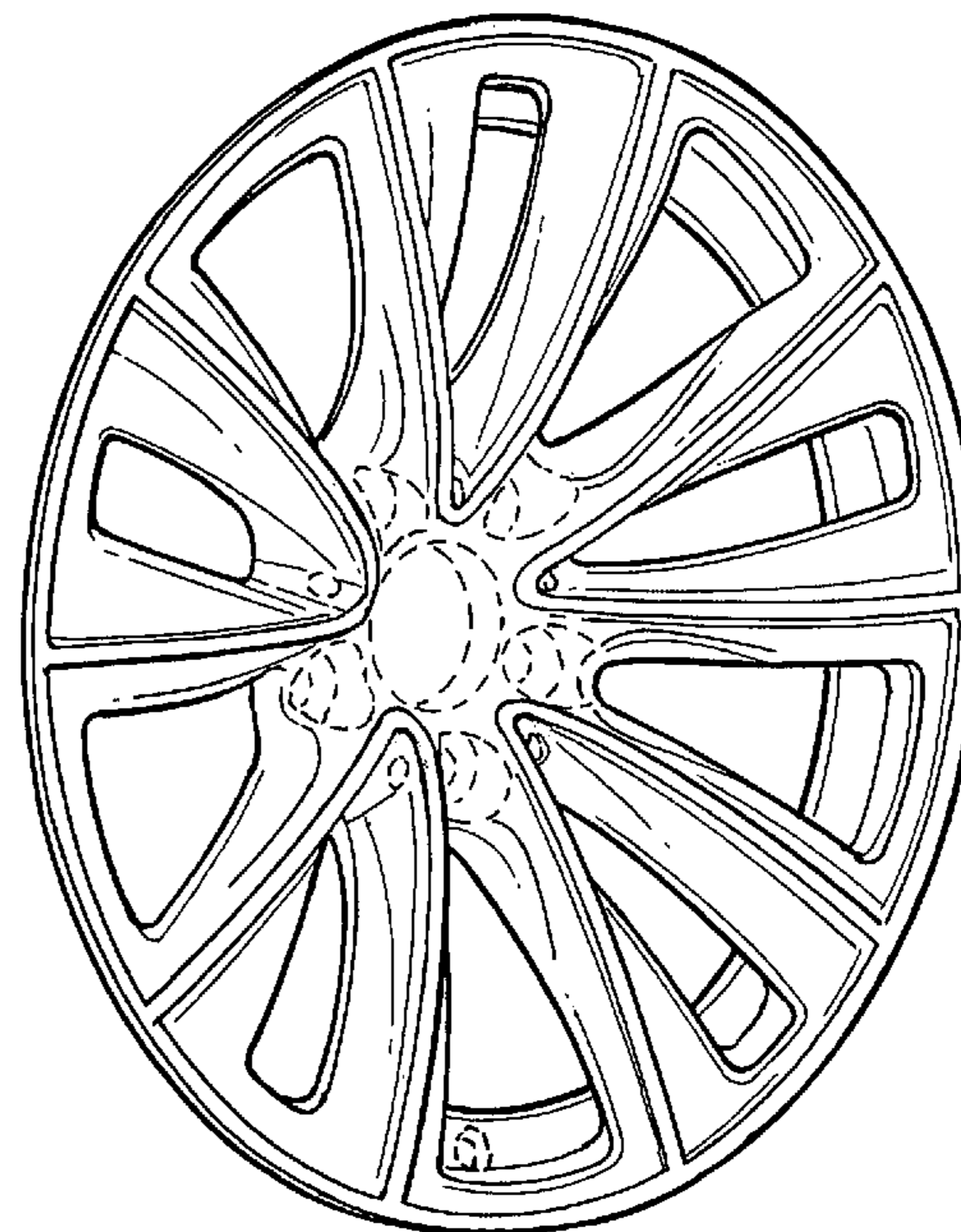
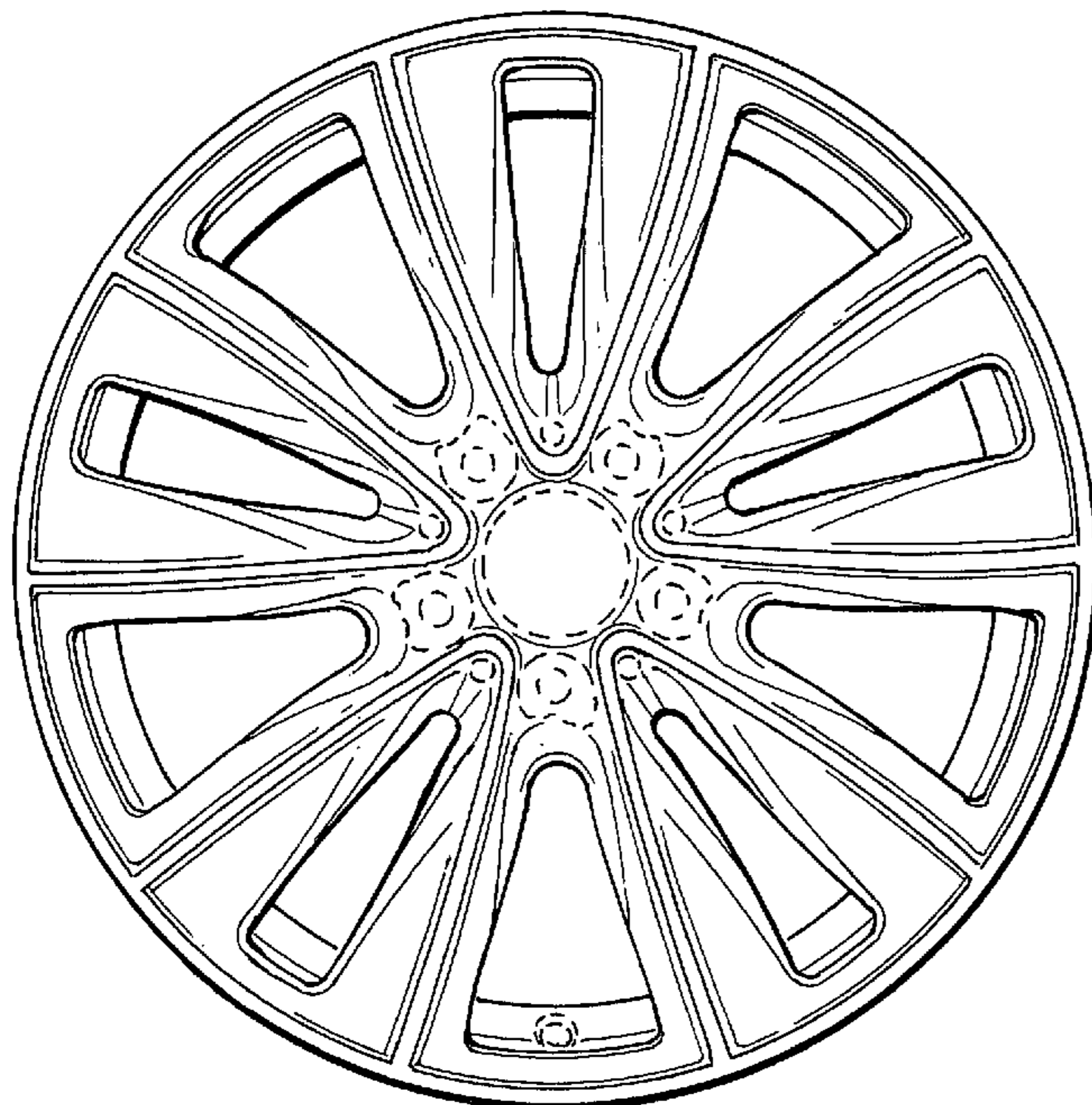
DESCRIPTION

FIG. 1 is a front view of a front face of a vehicle wheel according to my novel design; and,

FIG. 2 is a perspective view thereof.

The broken lines are for illustrative purposes only and form no part of the claimed design.

1 Claim, 1 Drawing Sheet



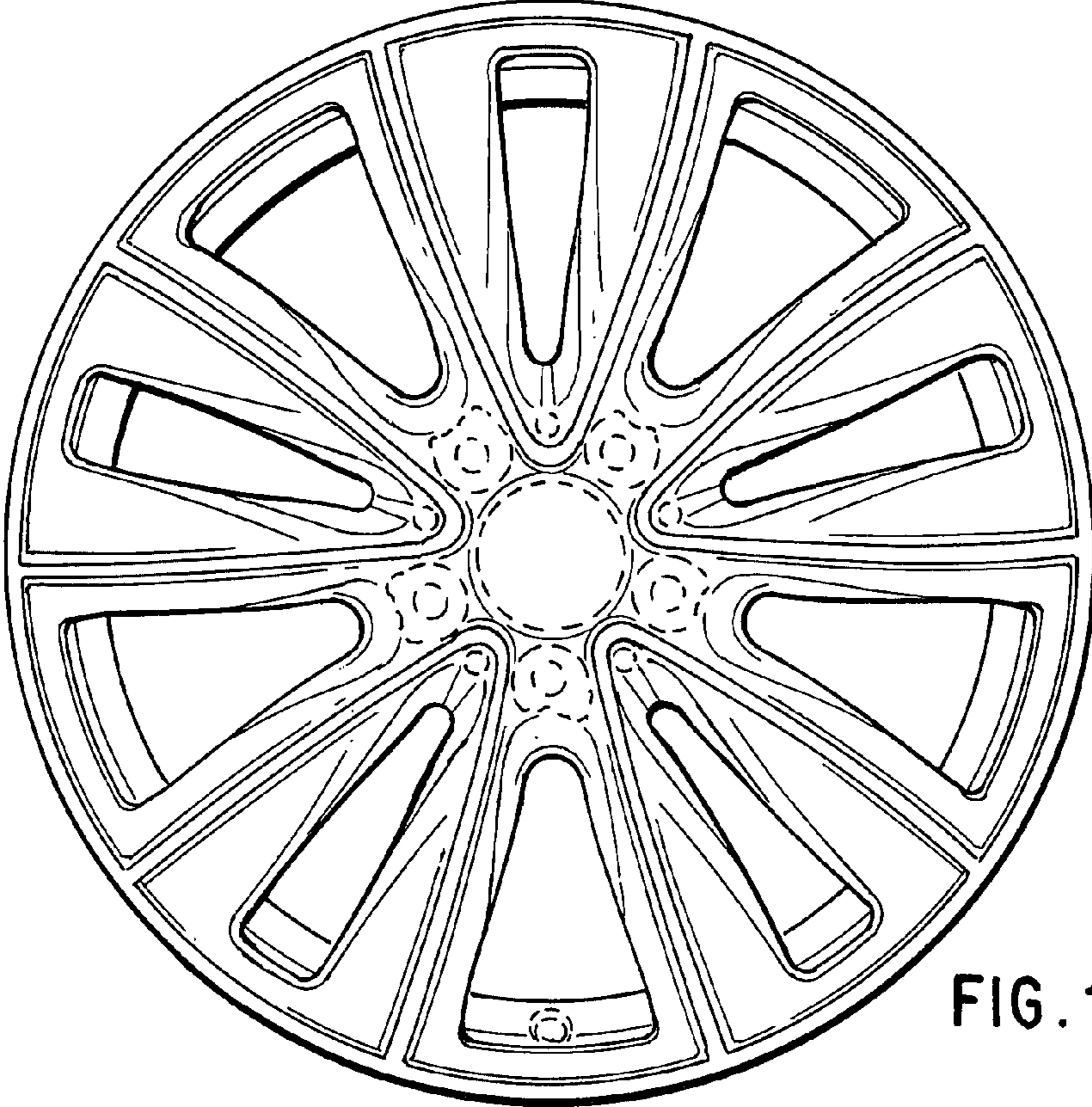


FIG. 1

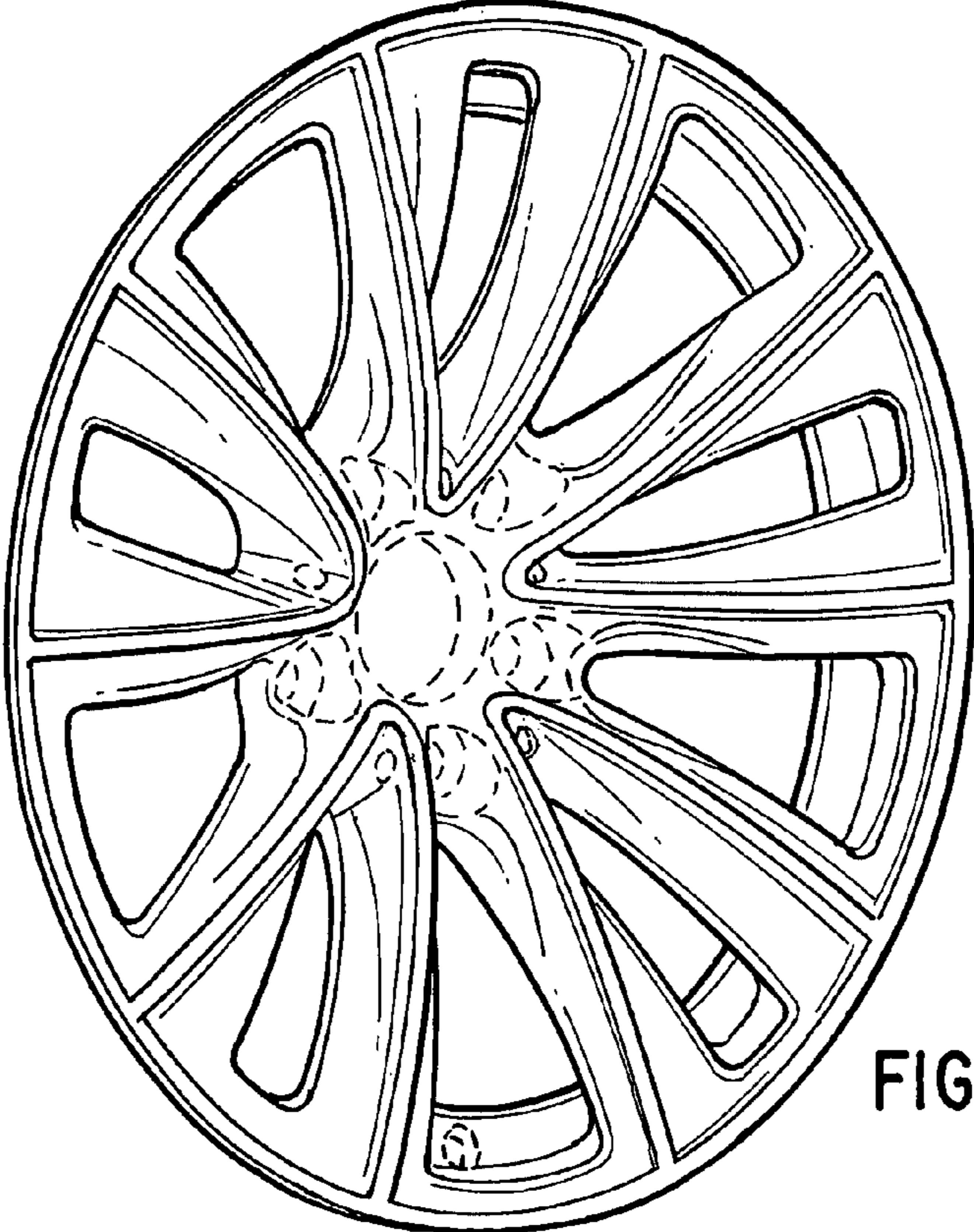


FIG. 2