



US00D567166S

(12) **United States Design Patent**
Bogani

(10) **Patent No.:** **US D567,166 S**

(45) **Date of Patent:** **** Apr. 22, 2008**

(54) **MOTORCYCLE WHEEL CAP**

(75) Inventor: **Massimiliano Bogani**, Varese (IT)

(73) Assignee: **Marchesini S.p.A.**, Jerago con Orago,
Varese (IT)

(**) Term: **14 Years**

(21) Appl. No.: **29/295,127**

(22) Filed: **Sep. 21, 2007**

(30) **Foreign Application Priority Data**

Mar. 23, 2007	(EM)	000704820-0001
Mar. 23, 2007	(EM)	000704820-0002
Mar. 23, 2007	(EM)	000704820-0003
Mar. 23, 2007	(EM)	000704820-0004
Mar. 23, 2007	(EM)	000704820-0005
Mar. 23, 2007	(EM)	000704820-0006
Mar. 23, 2007	(EM)	000704820-0007
Mar. 23, 2007	(EM)	000704820-0008

(51) **LOC (8) Cl.** **12-16**

(52) **U.S. Cl.** **D12/209**

(58) **Field of Classification Search** D12/204-213;
301/37.101, 64.101, 65, 64.201

See application file for complete search history.

(56) **References Cited**

U.S. PATENT DOCUMENTS

D440,933 S * 4/2001 Vian D12/209

D490,355 S *	5/2004	Francis	D12/209
D497,340 S *	10/2004	Anderson et al.	D12/209
D507,220 S *	7/2005	Lucaora	D12/209
D516,485 S *	3/2006	Lucaora	D12/209
D519,900 S *	5/2006	Francis	D12/209
D533,496 S *	12/2006	Bogani et al.	D12/209
D549,632 S *	8/2007	Sands	D12/209

* cited by examiner

Primary Examiner—Stacia Cadmus

(74) *Attorney, Agent, or Firm*—Kilyk & Bowersox, P.L.L.C.

(57) **CLAIM**

An ornamental design for a motorcycle wheel cap, as shown and described.

DESCRIPTION

FIG. 1 is a front perspective view of the motorcycle wheel cap.

FIG. 2 is a front view of the motorcycle wheel cap.

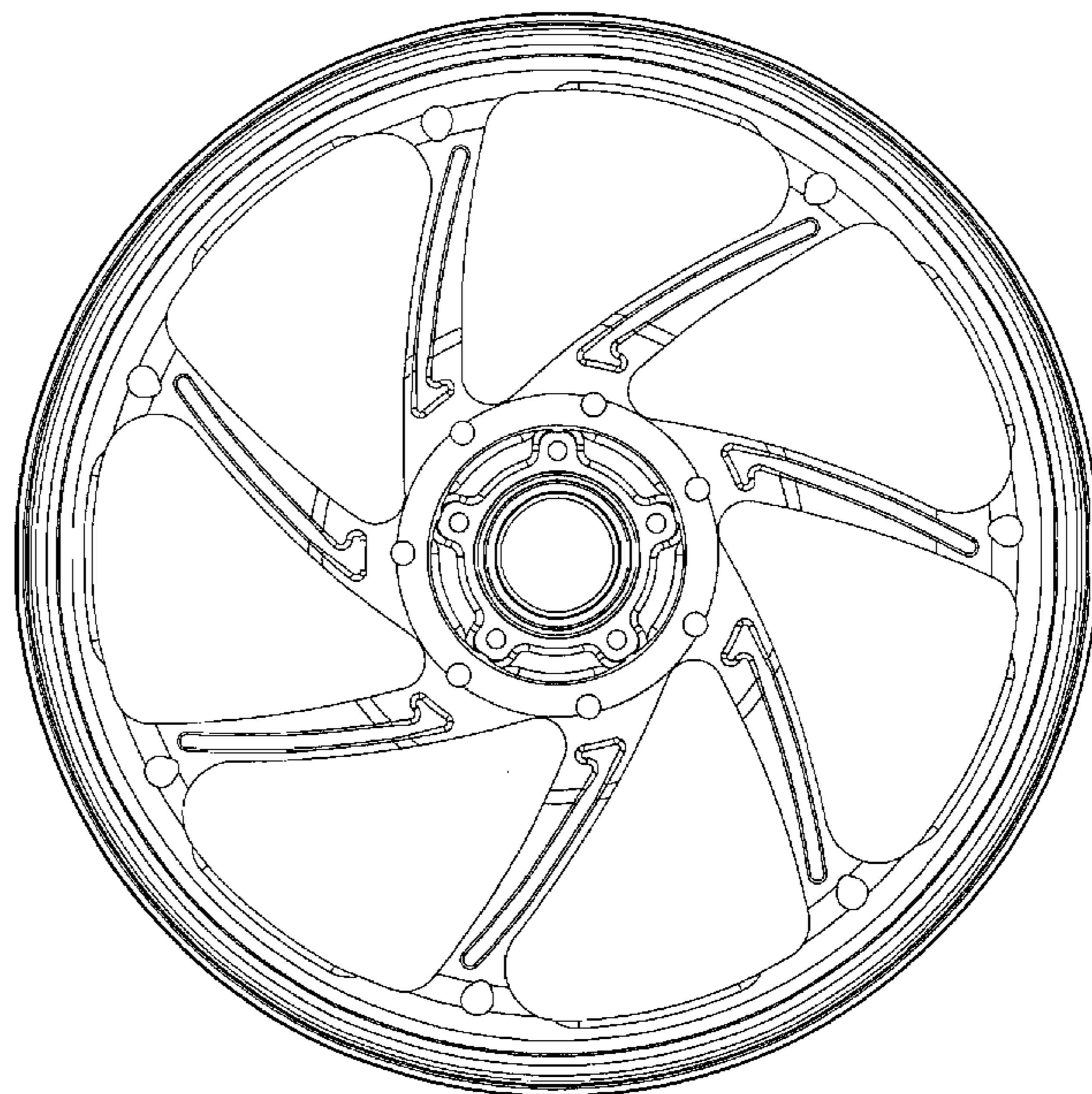
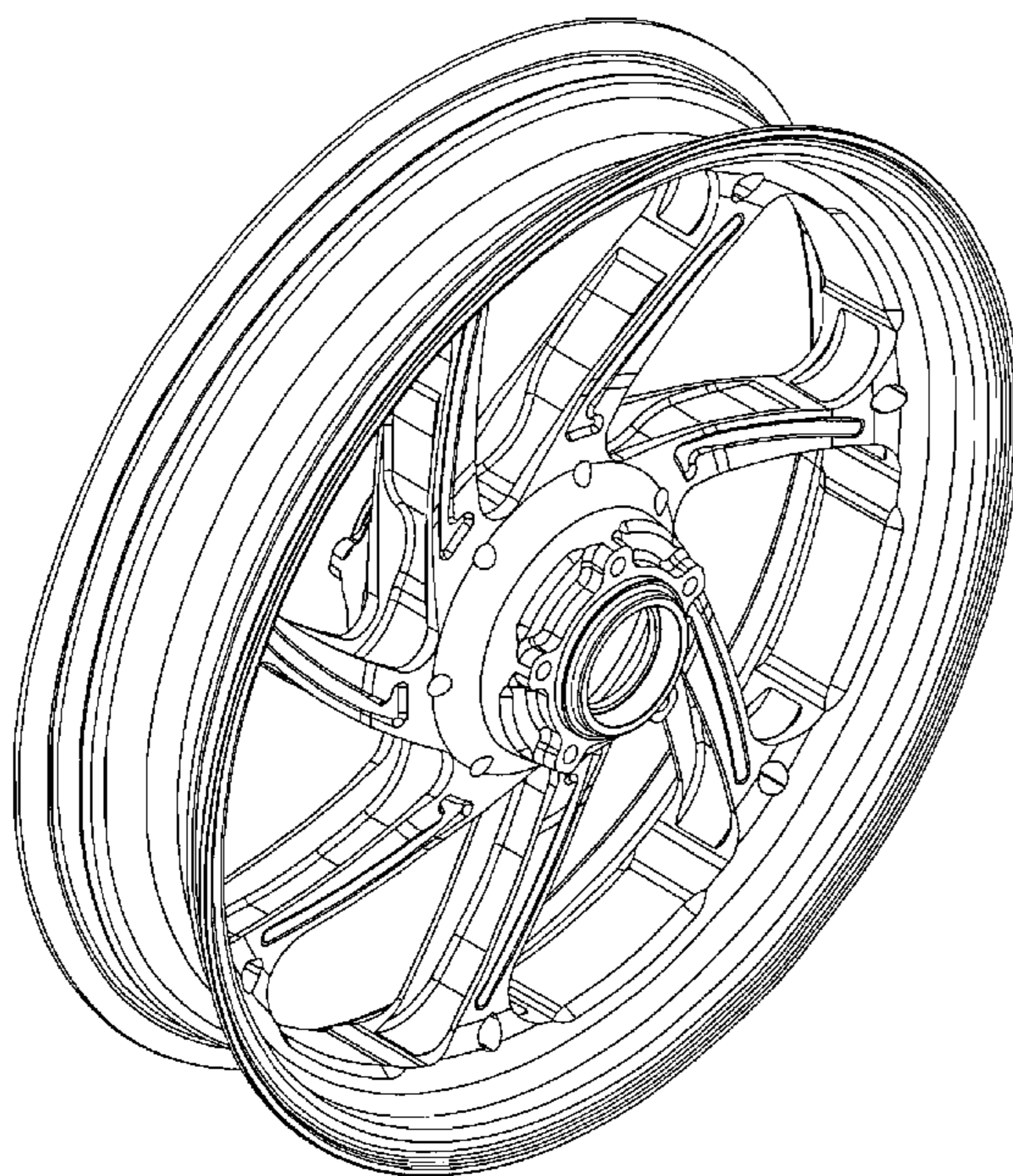
FIG. 3 is a rear view of the motorcycle wheel cap.

FIG. 4 is a side view of the motorcycle wheel cap.

FIG. 5 is a top view of the motorcycle wheel cap; and,

FIG. 6 is an enlarged front view of a section of the motorcycle wheel cap.

1 Claim, 5 Drawing Sheets



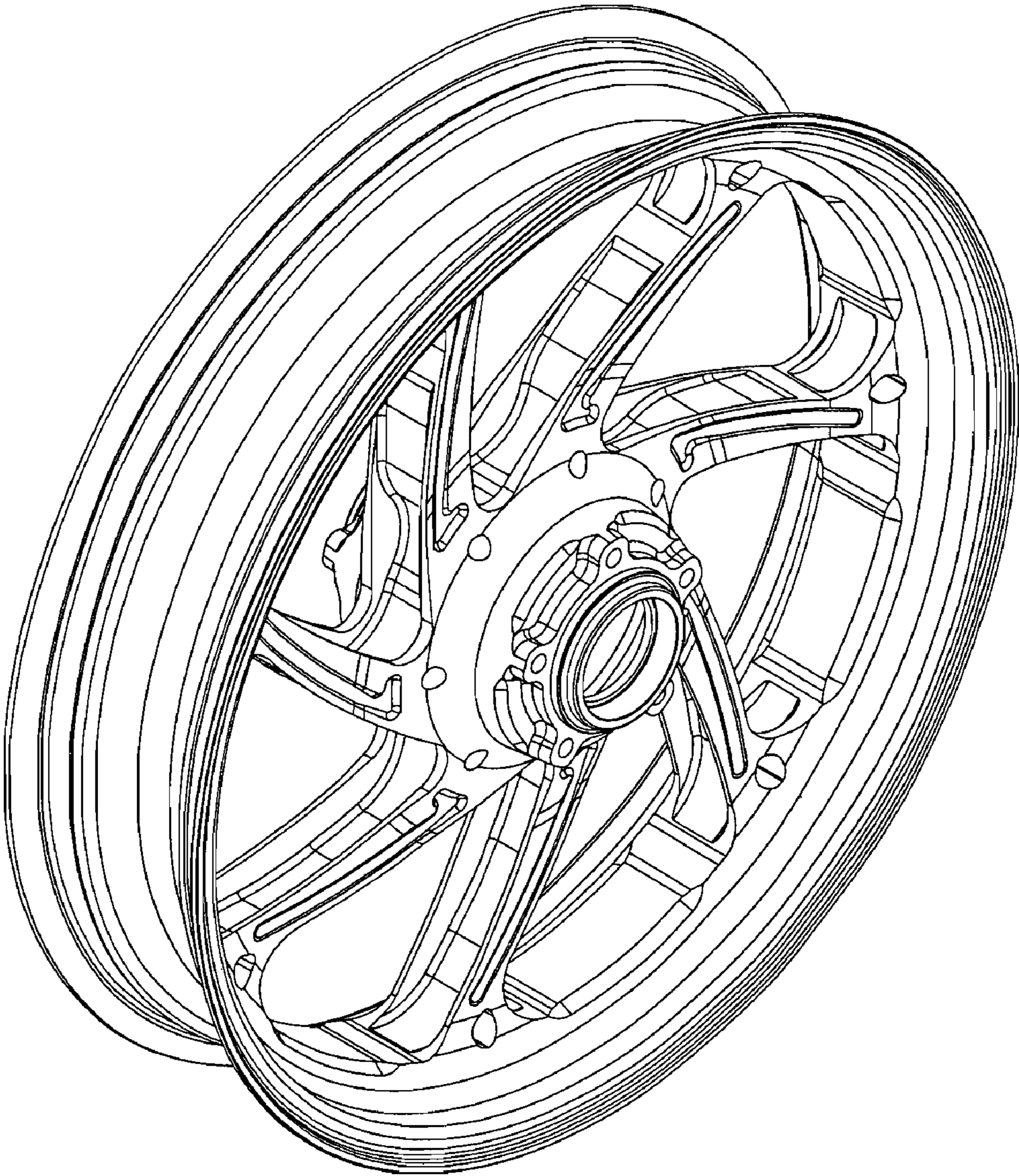


FIG. 1

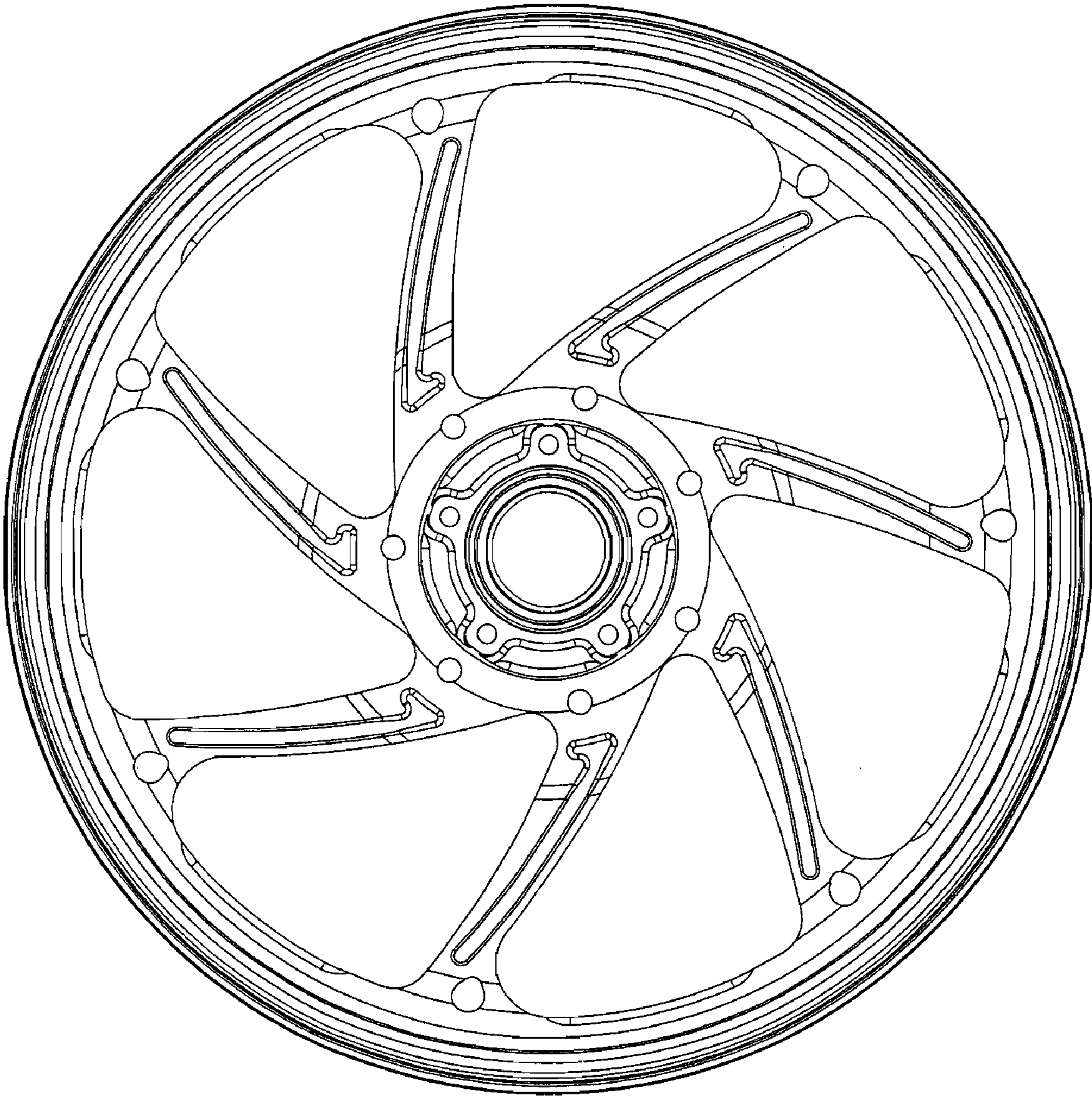


FIG. 2

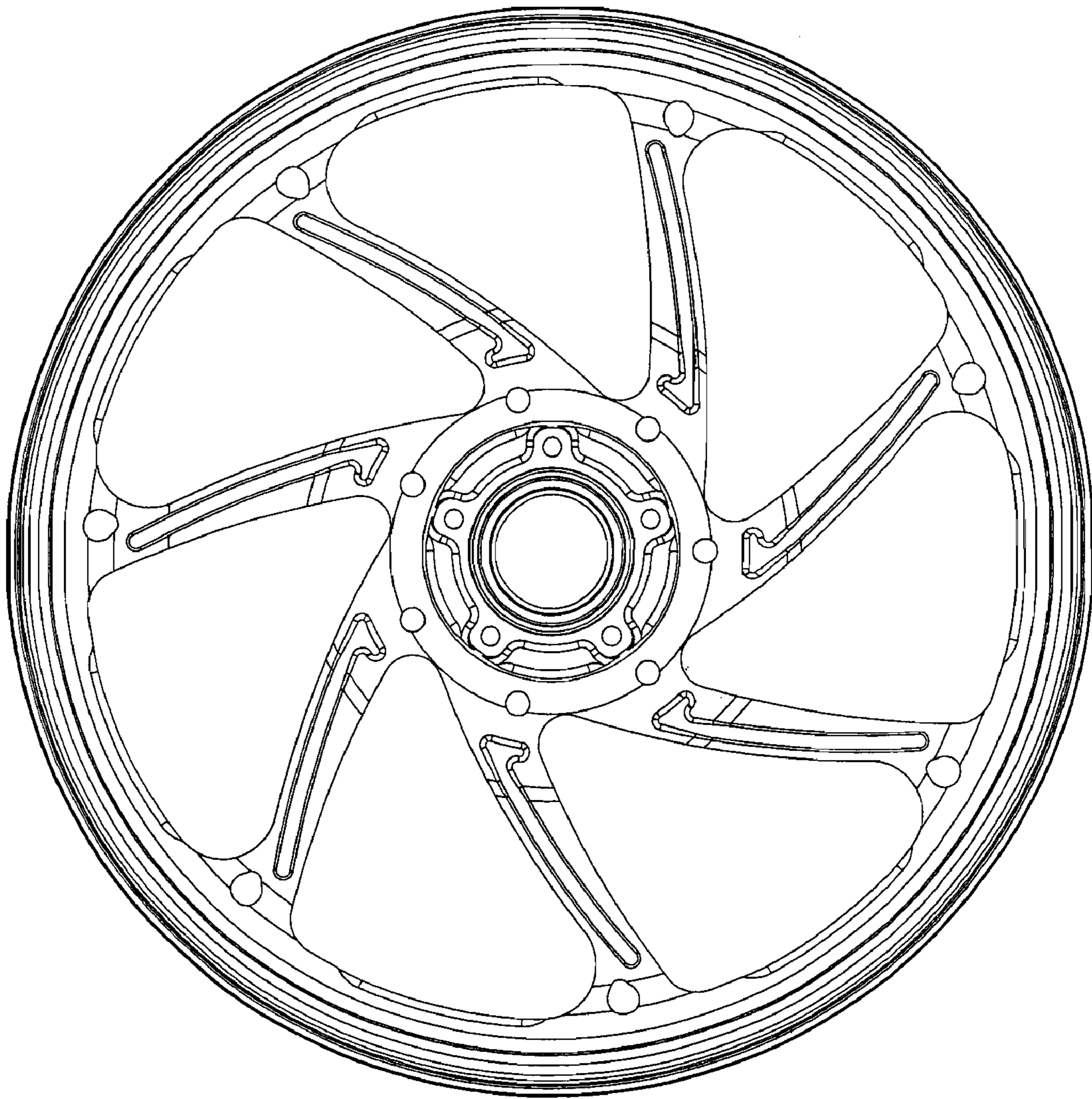


FIG. 3

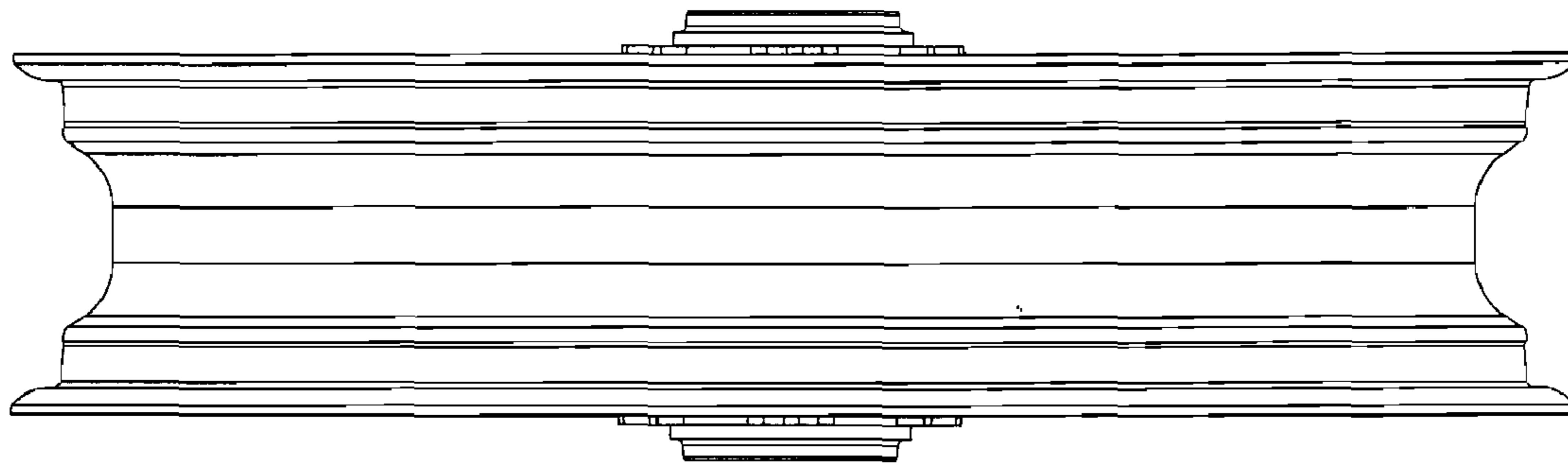


FIG. 5

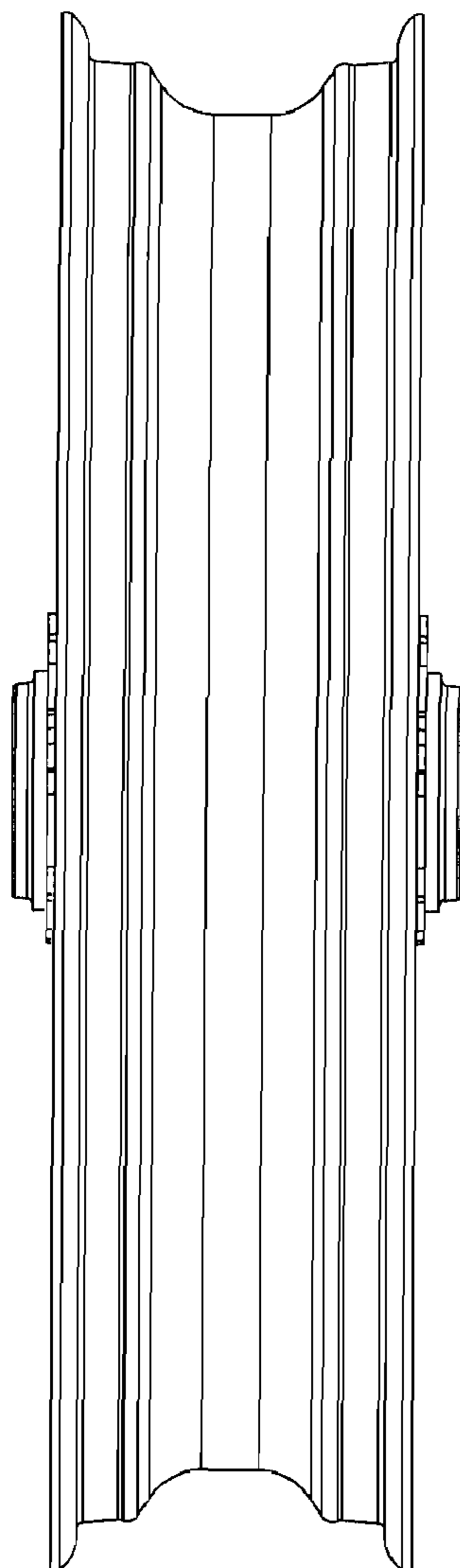


FIG. 4

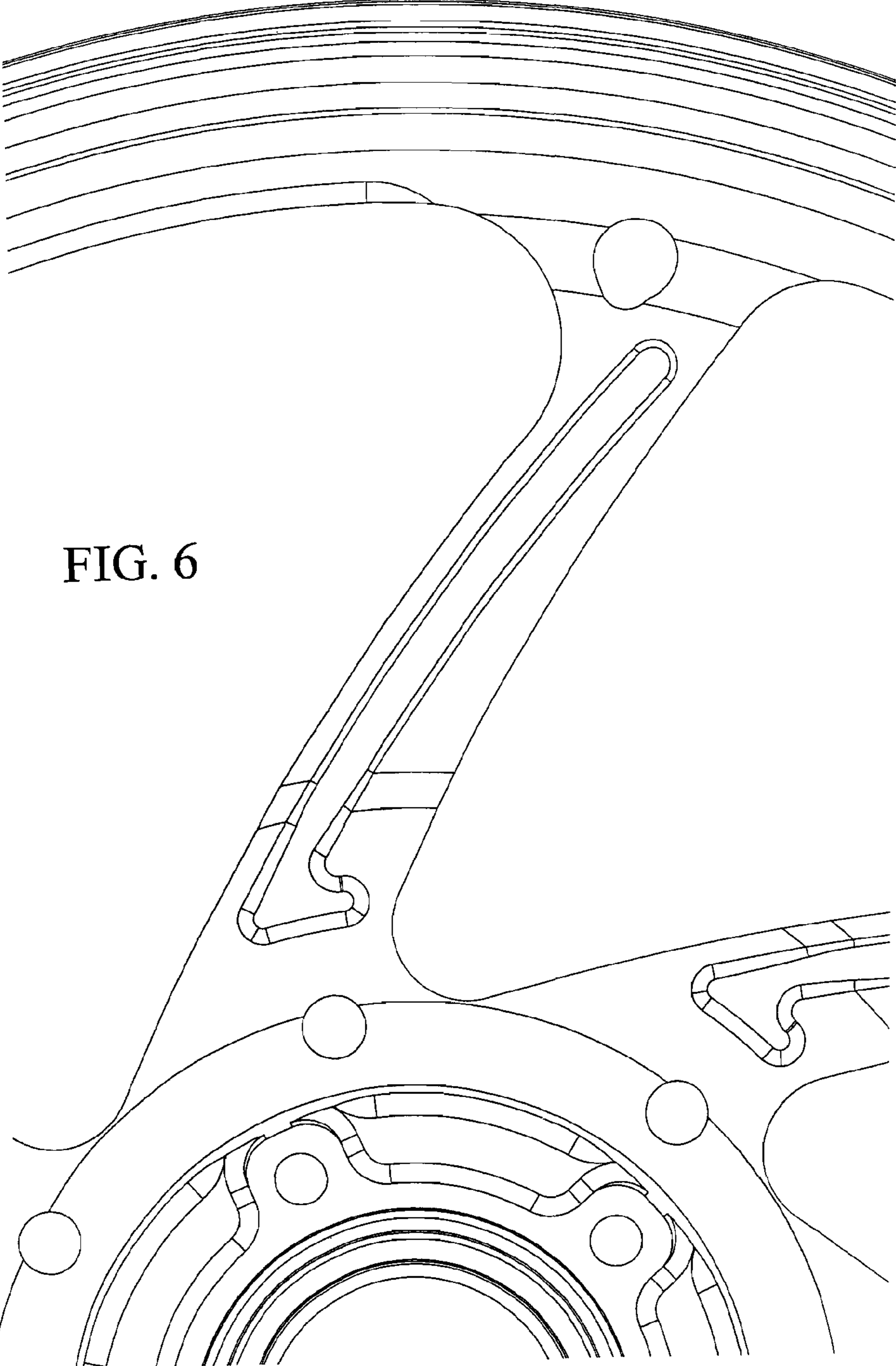


FIG. 6